

# Parts Catalogue

## Model : T7074



제 작 일	
작 성	김 순 이 (인)
검 토	최 준 흥 (인)
승 인	(인)

**TMM** 백산그룹 **동양물산기계사업부**

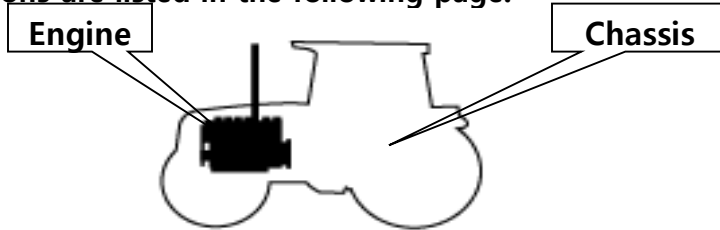
# Important tips of Parts Catalogue

We thank you for your purchasing our product, manufactured under strict quality control, by gathering plenty of experiences and new technology, designed for a comfort and pleasant work.

## 1. Part Composition

This catalogue deals with engine and chassis.

Detailed classifications are listed in the following page.



## 2. For locating parts easily, Please Note:

A. If you know the assembly where the part is used.

- Refer to the relevant figure from the identifying group symbol illustration,
- Locate the relevant chapter
- Refer to the particular chapter desired.

## 3. For ordering parts

To obtain spare parts please contact your nearest dealer and give him the details listed below.

- ① Tractor Model : Tractor T7074
  - ② Tractor Serial Number : W050000
  - ③ Part Number : 17681032000
  - ④ Description : Air cleaner assembly
  - ⑤ Quantity required: 1
- Serial Number



## 4. For ordering PARTS CATALOGUE

This is Priced item and one is to order the same on part No. 1767 950 001 0

This supersedes all our editions.

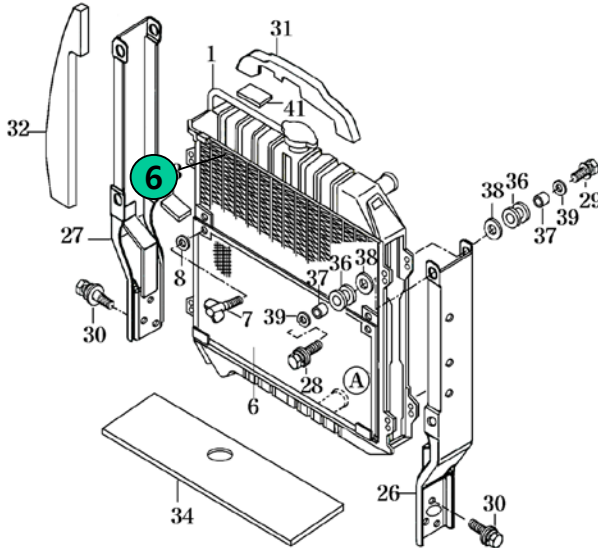
Note) When replacing parts, please use original spare parts to be sure of the performance and the longer life of the product

※ The information in this catalogue may at any time be modified without a prior notice for the

improvement of performance. please consult our spare parts dept. for the detailed inquiry.

## 5. How to use parts catalogue

<b>FIG   201</b> <span style="border: 1px solid black; border-radius: 50%; padding: 2px;">2</span>	<span style="border: 1px solid black; border-radius: 50%; padding: 2px;">3</span> <b>RADIATOR</b>	P1 <span style="border: 1px solid black; border-radius: 50%; padding: 2px;">4</span>	Month/Year <span style="border: 1px solid black; border-radius: 50%; padding: 2px;">5</span> 08 / 03	 <span style="border: 1px solid black; border-radius: 50%; padding: 2px;">1</span>
---	--	---	--	--



NOTE

13

<b>FIG 201</b> <span style="border: 1px solid black; border-radius: 50%; padding: 2px;">2</span>	<span style="border: 1px solid black; border-radius: 50%; padding: 2px;">3</span> <b>RADIATOR</b>	P1 <span style="border: 1px solid black; border-radius: 50%; padding: 2px;">4</span>	Month / Year <span style="border: 1px solid black; border-radius: 50%; padding: 2px;">5</span> 07 / 03	 <span style="border: 1px solid black; border-radius: 50%; padding: 2px;">1</span>
---	--	---	--	--

KEY NO	PART NO	PART NAME	SPEC	QTY	REPAIR	E/G SERIAL NO	REMARKS
023 001	14571042001	RADIATOR SET		1			
023 002	14571042101	RADIATOR SET		1			
023 003	14571042171	SHROUD		1			
023 006	14571042301HB	NET COMP		1			
<span style="border: 1px solid black; border-radius: 50%; padding: 2px;">6</span>	<span style="border: 1px solid black; border-radius: 50%; padding: 2px;">7</span>	BOLT, WING <span style="border: 1px solid black; border-radius: 50%; padding: 2px;">8</span>	M6X12 <span style="border: 1px solid black; border-radius: 50%; padding: 2px;">9</span>	<span style="border: 1px solid black; border-radius: 50%; padding: 2px;">10</span>	<span style="border: 1px solid black; border-radius: 50%; padding: 2px;">11</span>	<span style="border: 1px solid black; border-radius: 50%; padding: 2px;">12</span>	<span style="border: 1px solid black; border-radius: 50%; padding: 2px;">14</span>

NOTE

13

- ① **Group Indication** : Indicate the relevant location of the part with a symbol illustration.
- ② **Figure Number**: Indicate the relevant section of the machine with a figure number.
- ③ **Section Name** : Indicate the section name of the machine
- ④ **Section Page** : Page number of the section in this catalogue.
- ⑤ **Date** : Show the Month/Year of the section made or updated

⑥ **Key number** : Indicating number of each parts in the illustration.

⑦ **Part Number** : Unique part number maintained in our system

The part number starting with V or M means it is TYM's standard part

The alphabet at the end of part number means the status of material or the color of paint

Legend : M:Machining, DG:Black, BR:Bright Red, SW:Summer White ,

MS:Metallic Silver DD:Heat proof Black, PB:Pure Black TY: Tangerine Yellow

etc.

⑧ **Description** : Description of a part, Abbreviation means as follows.

- Indicate the mixture condition of a part

ASSY : Assembly with a mixture of several parts, so can be broke up retaining

their

original form

COMP : Assembly with a mixture of several parts, but can not be broke up

retaining

their original form

SUB : mean the same as ASSY but used in lower level in aid.

SET : Part consist of ASSY, COMP, and part(s) as a group

- Indicate the location of a part

LH : Left, RH : Right, FR: Front, RR: Rear, UPR: Upper, LOW: Lower

⑨ **Type** : Type of the standard items like bolt or nut

⑩ **Quantity** : Total quantity of the part referred to in the page.

Symbol below indicate options. So, show the quantity of each option.

Note) AR means as requested quantity.

⑪ **Repair Parts consumption frequency class**: indicate the level of a part in aid of stocking spares, anticipating the service requirements.

A :Fast moving part(frequently required)

B :Medium moving part (sometimes required)

C :Slow moving part(rarely required)

⑫ **Modification** :

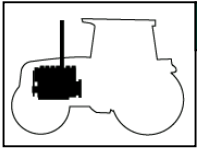
Year / Month~ : From which the change starts

~ Year / Month : To which the part installed

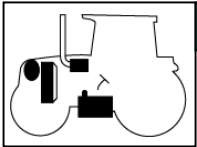
⑬ **Notes** : explain some reference data

⑭ **Remark** : indicate reference data or abbreviation in the content.

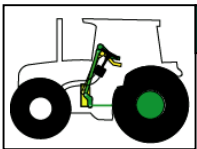
# ENGINEERING GROUP INDEX



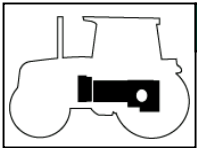
**1** ENGINE



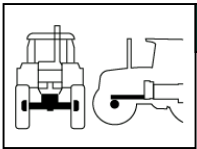
**2** ENGINE ACCESSORIES & CONTROL



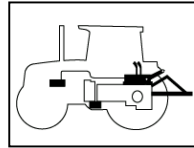
**3** CLUTCH, BRAKE, STEERING



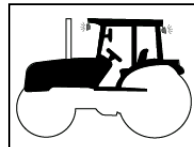
**4** TRANSMISSION & REAR AXLE



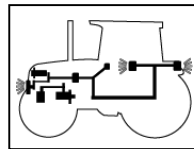
**5** FRONT AXLE, SUPPORTER & DRIVE SHAFT



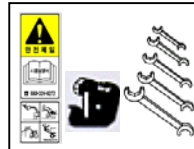
**6** HYDRAULICS & 3-POINT LINK



**7** SHEET METAL & CABIN



**8** ELECTRICALS & HARNESS



**9** WEIGHT, LABEL, TOOLS

067 020	12305180020
077 036	12403160020
036 005	13022250030
037 010	13022250131
041 005	13022250232
046 002	13022250333

**10** NUMERICAL INDEX

# CONTENTS

## ENGINE

### 1 ENGINE

FIG 101 BREATHER-----	04
FIG 102 VALVE COVER-----	06
FIG 103 ROCKET ARM/SHAFT/TAPPET/PUSH ROD-----	08
FIG 104 CYLINDER HEAD-----	10
FIG 105 VALVE/VALVE SEAT/SPRING/ROTATOR-----	12
FIG 106 WATER TEMPERATURE SENSOR-----	14
FIG 107 CYLINDER BOLCK KIT-----	16
FIG 108 BEARINGS/CRANKSHAFT-----	18
FIG 109 BEARINGS,THRUST BEARING-----	20
FIG 110 CONNECTING ROD/BEARINGS-----	22
FIG 111 OIL DIPSTICK/GUIDE-----	24
FIG 112 OIL PUMP/SPUR GEAR DRIVE-----	26
FIG 113 OIL PUMP KIT-----	28
FIG 114 OIL PAN-----	30
FIG 115 CRANKSHAFT PULLEY-----	32
FIG 116 OIL FILLER NECK-----	34
FIG 117 TIMING GEAR COVER/SPUR TIMING GEARS-----	36
FIG 118 HARDWARE FOR RIGHT HAND SIDE POWER-TAKEOFF-----	38
FIG 119 FRONT PLATE&LOWER IDLE GEAR-----	40
FIG 120 FLYWHEEL-----	42
FIG 121 FLYWHEEL HOUSING-----	44
FIG 122 OIL PRESSURE SWITCH-----	46
FIG 123 THERMOSTAT/COVER/BY PASS TUBE TO WATER PUMP-----	48
FIG 124 WATER PUMP-----	50
FIG 125 OIL COOLER/ADAPTER/OIL FILTER-----	52
FIG 127 ENGINE GASKET KIT-----	54
FIG 128 SHORT BLOCK ASSEMBLY-----	56
FIG 129 INTAKE MANIFOLD-----	58
FIG 130 COLD WEATHER STARTING AID,GLOW PLUG-----	60

FIG 131 EXHAUST MANIFOLD-----	62
FIG 132 NO FUEL PUMP,CLOSING PLATE-----	64
FIG 133 FUEL FILTER -----	66
FIG 134 FUEL FILTER (HAND PRIMER)-----	68
FIG 135 FINAL FUEL FILTER-----	70
FIG 136 FUEL INJECTION PUMP-----	72
FIG 137 FUEL INJECTION PUMP LINKAGE-----	74
FIG 139 INJECTION NOZZLE-----	76
FIG 140 COLD ADVANCE SYSTEM,KIT-----	78
FIG 141 WIRING HARNESS & SENSOR-----	80
FIG 142 TURBOCHARGER-----	82
FIG 143 ALTERNATOR ADJUSTING STRAP & BRACKETS-----	84
FIG 144 START MOTOR-----	86
FIG 145 ALTERNATOR-----	88

## CHASSIS

### 2 ENGINE ACCESSORIES & CONTROL

FIG 201 AIR CLEANER-----	94
FIG 202 RADIATOR-----	96
FIG 203 MUFFLER & EXHAUST PIPE-----	98
FIG 204 MUFFLER & EXHAUST PIPE-----	100
FIG 205 FUEL TANK-----	102
FIG 206 ACCELERATOR-----	104

### 3 CLUTCH, BRAKE, STEERING

FIG 301 CLUTCH-----	110
FIG 302 CLUTCH PEDAL-----	112
FIG 303 BRAKE-----	114
FIG 304 BRAKE PEDAL & LINKAGE-----	116
FIG 307 POWER STEERING WHEEL-----	118
FIG 308 POWER STEERING VALVE-----	120
FIG 309 POWER STEERING CYLINDER-----	122
FIG 310 HAND BRAKE-----	124

### 4 TRANSMISSION & REAR AXLE

FIG 401 TRANSMISSION FRONT CASE-----	130
FIG 402 INPUT & COUNTER GEARS-----	132
FIG 403 MAIN CHANGE GEARS-----	134
FIG 404 REVERSE GEARS-----	136
FIG 405 P.T.O DRIVE SHAFT-----	138
FIG 406 MAIN CHANGE LEVER-----	140
FIG 407 REVERSE CHANGE LEVER-----	142
FIG 408 TRANSMISSION MID CASE-----	144
FIG 409 TRANSMISSION REAR CASE-----	146



FIG 410 SUB CHANGE GEARS-----	148
FIG 411 SUB CHANGE LEVER-----	150
FIG 413 4WD DRIVE GEARS-----	152
FIG 414 4WD CHANGE LEVER-----	154
FIG 415 P.T.O CHANGE GEARS-----	156
FIG 416 P.T.O CHANGE LINKAGE-----	158
FIG 417 P.T.O CHANGE LEVER-----	160
FIG 418 REAR DIFFERENTIAL GEARS-----	162
FIG 419 REAR AXLE & HOUSINGS-----	164

## **5 FRONT AXLE,SUPPORTER & DRIVE SHAFT**

FIG 501 FRONT AXLE SUPPORT-----	170
FIG 502 FRONT DRIVE SHAFT-----	172
FIG 503 FRONT AXLE HOUSING-----	174
FIG 504 FRONT DIFFERENTIAL GEARS-----	176
FIG 505 FRONT GEAR CASE (1)-----	178
FIG 506 FRONT GEAR CASE (2)-----	180
FIG 507 FRONT GEAR CASE (3)-----	182

## **6 HYDRAULICS & 3-POINT LINK**

FIG 601 CYLINDER CASE-----	188
FIG 602 LIFT ARM-----	190
FIG 603 CYLINDER-----	192
FIG 605 CONTROL VALVE-----	194
FIG 606 DRAFT LINK-----	196
FIG 607 HYDRAULIC PIPE & PUMP-----	198
FIG 608 EXTERIOR HYD.VALVE & BACK UP SYSTEM-----	200
FIG 609 HYDRAULIC HOSE-----	202
FIG 610 JOYSTICK-----	204
FIG 611 P.T.O VALVE & RELIEF VALVE-----	206
FIG 612 HITCH & 3-POINT LINK-----	208
FIG 613 LOWER LINK & LIFT ROD-----	212

## **7** SHEET METAL & ROPS

FIG 701 BONNET (1)	218
FIG 702 BONNET (2)	220
FIG 703 SIDE COVER	222
FIG 704 LEVER COVER	224
FIG 705 FRONT & REAR MOUNTING	226
FIG 706 FLOOR & SEAT	228
FIG 707 FRAME & REAR GLASS	230
FIG 708 SIDE GLASS	232
FIG 709 DOOR	234
FIG 710 FRONT GLASS	236
FIG 711 SUB FENDER & COVER	238
FIG 712 CONTROL COVER	240
FIG 713 ROOF	242
FIG 714 INTERIOR PART	244
FIG 715 HEATER & AIR-CON	246

## **8** ELECTRICALS & HARNESS

FIG 801 BATTERY & MOUNTING	252
FIG 802 LIGHT	254
FIG 803 INSTRUMENT PANEL	256
FIG 804 ELECTRIC SYSTEM (1)	258
FIG 805 ELECTRIC SYSTEM (2)	260
FIG 806 HARNESS(1)	262

## **9** WEIGHT, LABEL , TOOLS

FIG 901 TOOL & ACCESSORY	268
FIG 902 LABEL	270
FIG 904 LEVEL CONTROL CYLINDER	274

**10**

**NUMERICAL INDEX**

**ENGINE-----279**

**CHASSIS-----281**

# ENGINE

## 1 ENGINE

FIG 101 BREATHER-----	04
FIG 102 VALVE COVER-----	06
FIG 103 ROCKET ARM/SHAFT/TAPPET/PUSH ROD-----	08
FIG 104 CYLINDER HEAD-----	10
FIG 105 VALVE/VALVE SEAT/SPRING/ROTATOR-----	12
FIG 106 WATER TEMPERATURE SENSOR-----	14
FIG 107 CYLINDER BOLCK KIT-----	16
FIG 108 BEARINGS/CRANKSHAFT-----	18
FIG 109 BEARINGS,THRUST BEARING-----	20
FIG 110 CONNECTING ROD/BEARINGS-----	22
FIG 111 OIL DIPSTICK/GUIDE-----	24
FIG 112 OIL PUMP/SPUR GEAR DRIVE-----	26
FIG 113 OIL PUMP KIT-----	28
FIG 114 OIL PAN-----	30
FIG 115 CRANKSHAFT PULLEY-----	32
FIG 116 OIL FILLER NECK-----	34
FIG 117 TIMING GEAR COVER/SPUR TIMING GEARS-----	36
FIG 118 HARDWARE FOR RIGHT HAND SIDE POWER-TAKEOFF-----	38
FIG 119 FRONT PLATE&LOWER IDLE GEAR-----	40
FIG 120 FLYWHEEL-----	42
FIG 121 FLYWHEEL HOUSING-----	44
FIG 122 OIL PRESSURE SWITCH-----	46
FIG 123 THERMOSTAT/COVER/BY PASS TUBE TO WATER PUMP-----	48
FIG 124 WATER PUMP-----	50
FIG 125 OIL COOLER/ADAPTER/OIL FILTER-----	52
FIG 127 ENGINE GASKET KIT-----	54
FIG 128 SHORT BLOCK ASSEMBLY-----	56
FIG 129 INTAKE MANIFOLD-----	58
FIG 130 COLD WEATHER STARTING AID,GLOW PLUG-----	60

FIG 131 EXHAUST MANIFOLD-----	62
FIG 132 NO FUEL PUMP,CLOSING PLATE-----	64
FIG 133 FUEL FILTER -----	66
FIG 134 FUEL FILTER (HAND PRIMER)-----	68
FIG 135 FINAL FUEL FILTER-----	70
FIG 136 FUEL INJECTION PUMP-----	72
FIG 137 FUEL INJECTION PUMP LINKAGE-----	74
FIG 139 INJECTION NOZZLE-----	76
FIG 140 COLD ADVANCE SYSTEM,KIT-----	78
FIG 141 WIRING HARNESS & SENSOR-----	80
FIG 142 TURBOCHARGER-----	82
FIG 143 ALTERNATOR ADJUSTING STRAP & BRACKETS-----	84
FIG 144 START MOTOR-----	86
FIG 145 ALTERNATOR-----	88

# ENGINE GROUPING INFORMATION

ENGINE IN THIS CATALOG ARE MANUFACTURED IN SARAN FACTORY

THESE ENGINES COULD BE NATURALLY-ASPIRATED DIESEL OR TURBOCHARGED DIESEL.

TO ASSIST YOUR JOHN DEERE PARTS DEPOT IN GIVING YOU PROMPT AND EFFICIENT SERVICE, REFER TO THE ENGINE SERIAL NUMBER PLATE FOR PROPER ENGINE TYPE IDENTIFICATION.

## ENGINE SERIAL NUMBER PLATE



CDP45135

- |                                      |   |
|--------------------------------------|---|
| 1. DESIGNATES ENGINE MANUFACTURER    | CD - SARAN  |
| 2. DESIGNATES NUMBER OF CYLINDERS    | 3   |
| 3. DESIGNATES TOTAL DISPLACEMENT     | 029 (2.9 LITER) (BORE 106.5MM X STROKE 110MM)             |
| 4. DESIGNATES THE TYPE OF ASPIRATION | D – NATURALLY-ASPIRATED DIESEL<br>T – TURBOCHARGED DIESEL |
| 5. DESIGNATES ENGINE SERIAL NUMBER   | 123456 (SIX DIGITS)                                       |
| 6. DESIGNATES ENGINE USER            | F (OEM, LOOSE ENGINE)                                     |
| 7. DESIGNATES ENGINE VERSION         | 164 (THREE DIGITS)<br>180 (THREE DIGITS)                  |

## APPLICATION CHART (ENGINE TYPE/TRACTOR MODEL)

ENGINE TYPE	TRACTOR MODEL	PART NO.
CD3029DF164	T552	16991016001
CD3029DF180	T502	17981016000
CD3029TF180	T680,T700 (AUZ)	17401016000
CD3029TF270	T700/(USD/USM/EU) , T7074	17681016000

# CHASSIS

## 2 ENGINE ACCESSORIES & CONTROL

FIG 201 AIR CLEANER-----	94
FIG 202 RADIATOR-----	96
FIG 203 MUFFLER & EXHAUST PIPE-----	98
FIG 204 MUFFLER & EXHAUST PIPE-----	100
FIG 205 FUEL TANK-----	102
FIG 206 ACCELERATOR-----	104

**3****CLUTCH,BRAKE,STEERING**

<b>FIG 301 CLUTCH-----</b>	<b>110</b>
<b>FIG 302 CLUTCH PEDAL-----</b>	<b>112</b>
<b>FIG 303 BRAKE-----</b>	<b>114</b>
<b>FIG 304 BRAKE PEDAL &amp; LINKAGE-----</b>	<b>116</b>
<b>FIG 307 POWER STEERING WHEEL-----</b>	<b>118</b>
<b>FIG 308 POWER STEERING VALVE-----</b>	<b>120</b>
<b>FIG 309 POWER STEERING CYLINDER-----</b>	<b>122</b>
<b>FIG 310 HAND BRAKE-----</b>	<b>124</b>



**4****TRANSMISSION & REAR  
AXLE**

FIG 401 TRANSMISSION FRONT CASE-----	130
FIG 402 INPUT & COUNTER GEARS-----	132
FIG 403 MAIN CHANGE GEARS-----	134
FIG 404 REVERSE GEARS-----	136
FIG 405 P.T.O DRIVE SHAFT-----	138
FIG 406 MAIN CHANGE LEVER-----	140
FIG 407 REVERSE CHANGE LEVER-----	142
FIG 408 TRANSMISSION MID CASE-----	144
FIG 409 TRANSMISSION REAR CASE-----	146
FIG 410 SUB CHANGE GEARS-----	148
FIG 411 SUB CHANGE LEVER-----	150
FIG 413 4WD DRIVE GEARS-----	152
FIG 414 4WD CHANGE LEVER-----	154
FIG 415 P.T.O CHANGE GEARS-----	156
FIG 416 P.T.O CHANGE LINKAGE-----	158
FIG 417 P.T.O CHANGE LEVER-----	160
FIG 418 REAR DIFFERENTIAL GEARS-----	162
FIG 419 REAR AXLE & HOUSINGS-----	164

**5****FRONT AXLE,SUPPORTER & DRIVE SHAFT**

<b>FIG 501 FRONT AXLE SUPPORT-----</b>	<b>170</b>
<b>FIG 502 FRONT DRIVE SHAFT-----</b>	<b>172</b>
<b>FIG 503 FRONT AXLE HOUSING-----</b>	<b>174</b>
<b>FIG 504 FRONT DIFFERENTIAL GEARS-----</b>	<b>176</b>
<b>FIG 505 FRONT GEAR CASE (1)-----</b>	<b>178</b>
<b>FIG 506 FRONT GEAR CASE (2)-----</b>	<b>180</b>
<b>FIG 507 FRONT GEAR CASE (3)-----</b>	<b>182</b>

**6****HYDRAULICS & 3-POINT LINK**

FIG 601 CYLINDER CASE-----	188
FIG 602 LIFT ARM-----	190
FIG 603 CYLINDER-----	192
FIG 605 CONTROL VALVE-----	194
FIG 606 DRAFT LINK-----	196
FIG 607 HYDRAULIC PIPE & PUMP-----	198
FIG 608 EXTERIOR HYD.VALVE & BACK UP SYSTEM-----	200
FIG 609 HYDRAULIC HOSE-----	202
FIG 610 JOYSTICK-----	204
FIG 611 P.T.O VALVE & RELIEF VALVE-----	206
FIG 612 HITCH & 3-POINT LINK-----	208
FIG 613 LOWER LINK & LIFT ROD-----	212

## **7** SHEET METAL & ROPS

FIG 701 BONNET (1)-----	218
FIG 702 BONNET (2)-----	220
FIG 703 SIDE COVER-----	222
FIG 704 LEVER COVER-----	224
FIG 705 FRONT & REAR MOUNTING-----	226
FIG 706 FLOOR & SEAT-----	228
FIG 707 FRAME & REAR GLASS-----	230
FIG 708 SIDE GLASS-----	232
FIG 709 DOOR-----	234
FIG 710 FRONT GLASS-----	236
FIG 711 SUB FENDER & COVER-----	238
FIG 712 CONTROL COVER-----	240
FIG 713 ROOF-----	242
FIG 714 INTERIOR PART-----	244
FIG 715 HEATER & AIR-CON-----	246

## **8** ELECTRICALS & HARNESS

FIG 801 BATTERY & MOUNTING-----	252
FIG 802 LIGHT-----	254
FIG 803 INSTRUMENT PANEL-----	256
FIG 804 ELECTRIC SYSTEM (1)-----	258
FIG 805 ELECTRIC SYSTEM (2)-----	260
FIG 806 HARNESS(1)-----	262

**9** **WEIGHT, LABEL , TOOLS**

**FIG 901 TOOL & ACCESSORY-----268**  
**FIG 902 LABEL-----270**  
**FIG 904 LEVEL CONTROL CYLINDER-----274**

**10** NUMERICAL INDEX

ENGINE-----279  
CHASSIS-----281

**FIG 101**

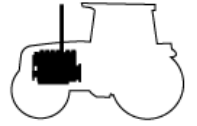
T7074

**BREATHER**

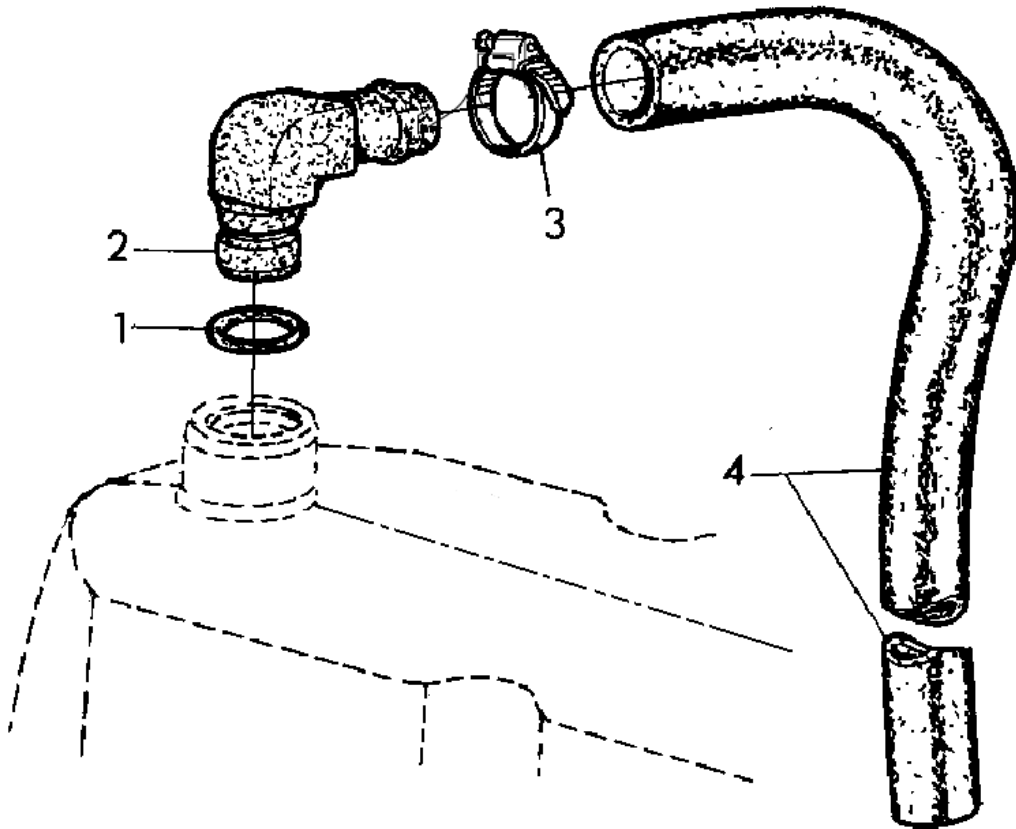
P1

Month/Year

02 / 2006



CD42516 -UN-23JUN98



NOTE

CD3029TF270





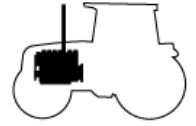
**FIG 102**

**VALVE COVER**

P1

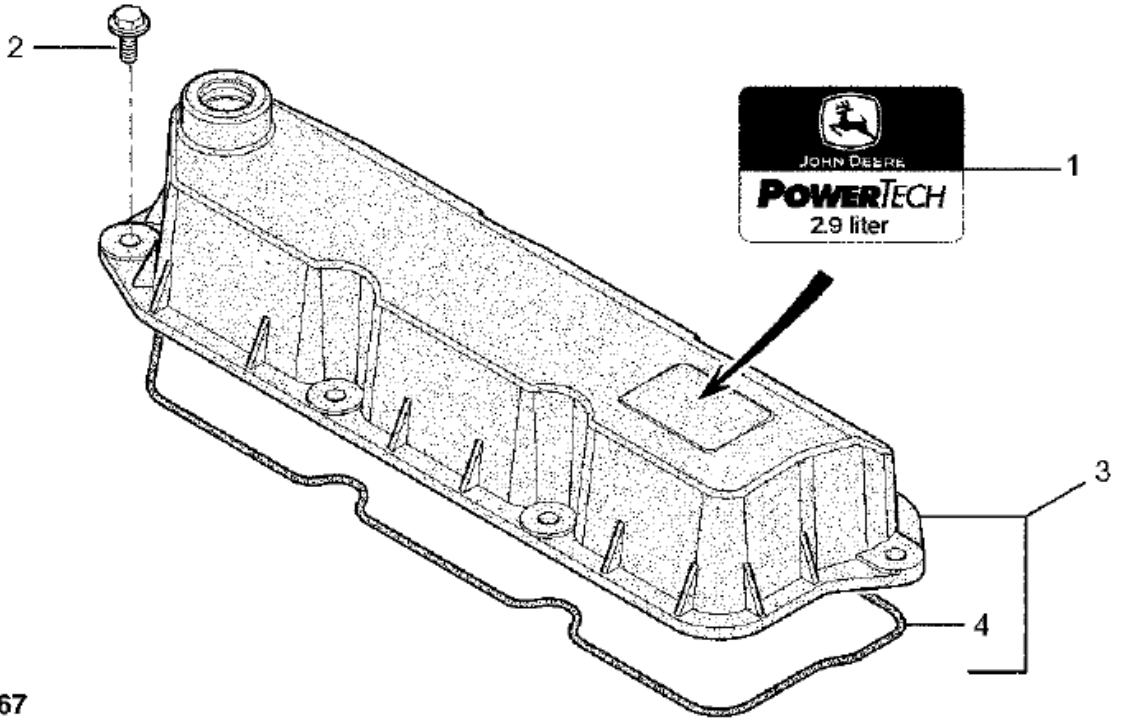
Month/Year

02 / 2006



T7074

CDP45967 -UN-27JAN04



CDP45967

NOTE CD3029TF270



# FIG 103

## ROCKER ARM/SHAFT/TAPPET/PUSH ROD

P1

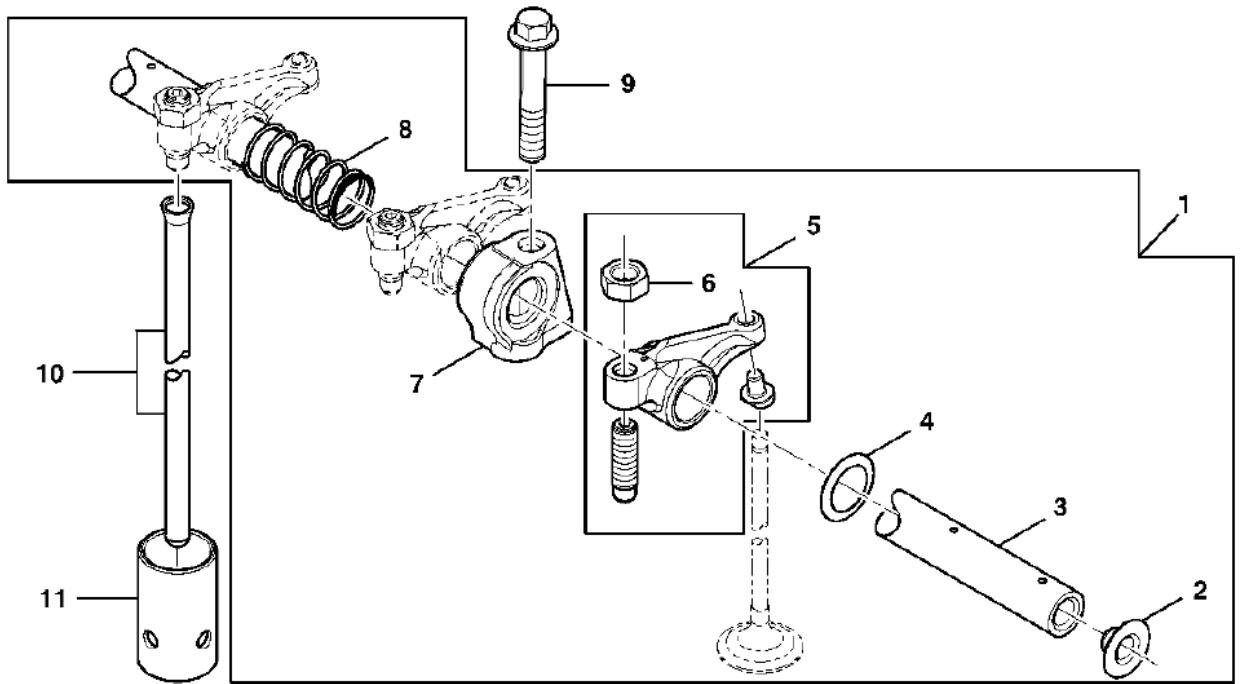
Month/Year

02 / 2006



T7074

CDP45555 -UN-25AUG03



CDP45555

NOTE

CD3029TF270



# FIG 104

# CYLINDER HEAD

P1

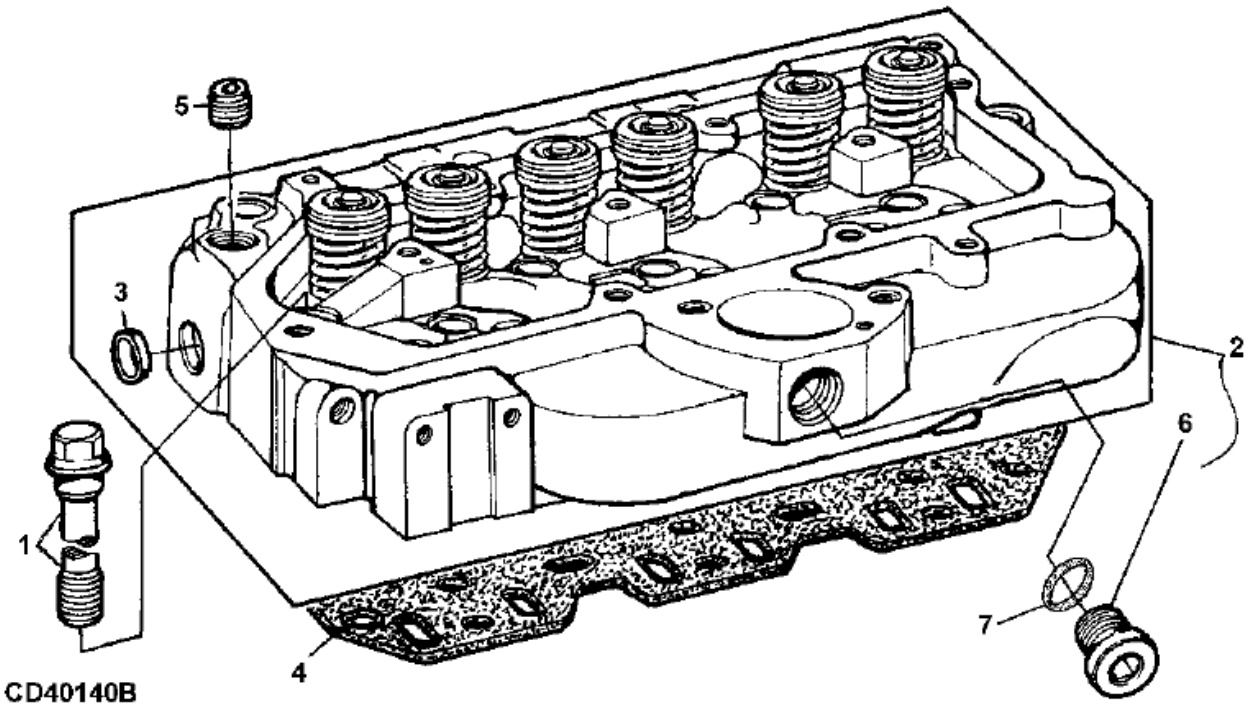
Month/Year

02 / 2006



T7074

CD40140B -UN-19NOV02



NOTE

CD3029TF270



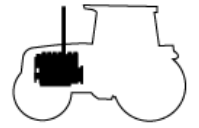
**FIG 105**

**VALVE/VALVE SEAT/SPRING/ROTATOR**

P1

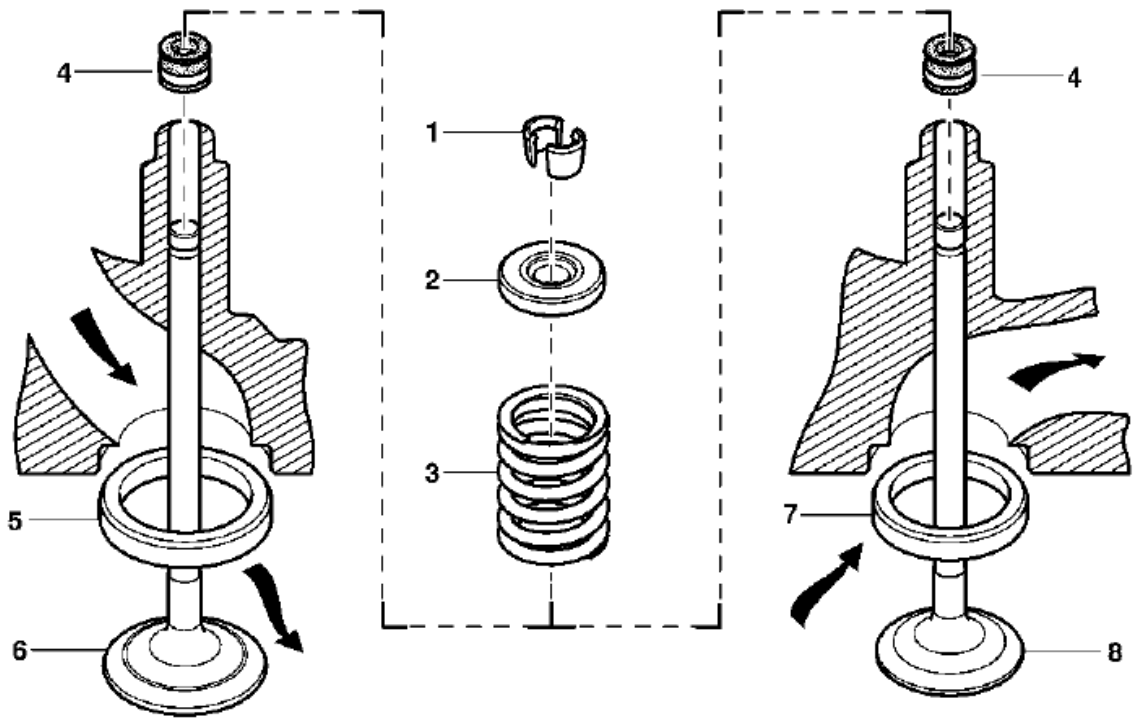
Month/Year

02 / 2006



T7074

CDP46152 -UN-01APR04



CDP46152

NOTE

CD3029TF270





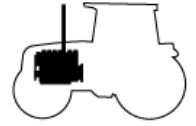
**FIG 106**

**WATER TEMPERATURE SENSOR**

P1

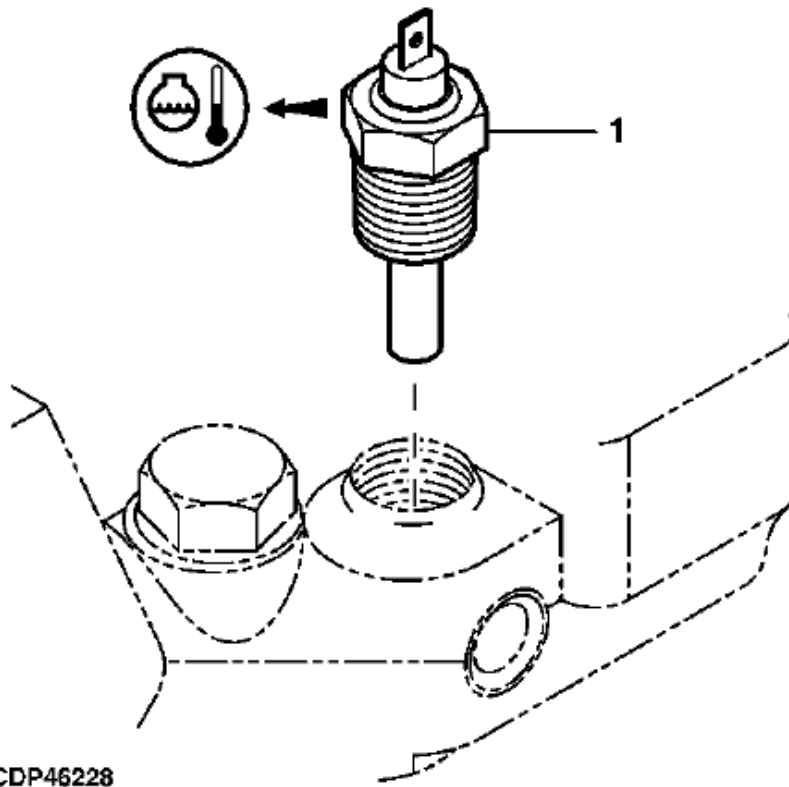
Month/Year

02 / 2006



T7074

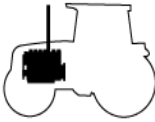
CDP46228 -UN-14MAY04



CDP46228

NOTE

CD3029TF270

<b>FIG 106</b> T7074		<b>WATER TEMPERATURE SENSOR</b>				P1	Month / Year	
							02 / 2006	
<i>KEY NO.</i>	<i>PART NO.</i>	<i>DESCRIPTION</i>	<i>SPEC.</i>	<i>QTY.</i>	<i>REPAIR</i>	<i>ENG. SERIAL NO.</i>	<i>REMARKS</i>	
106 001	RE51774	SENSOR	1/2"-14NPTF, (12V - 24V)	1	B			
NOTE	CD3029TF270E							

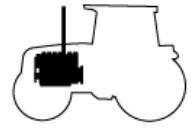
# FIG 107

# CYLINDER BLOCK KIT

P1

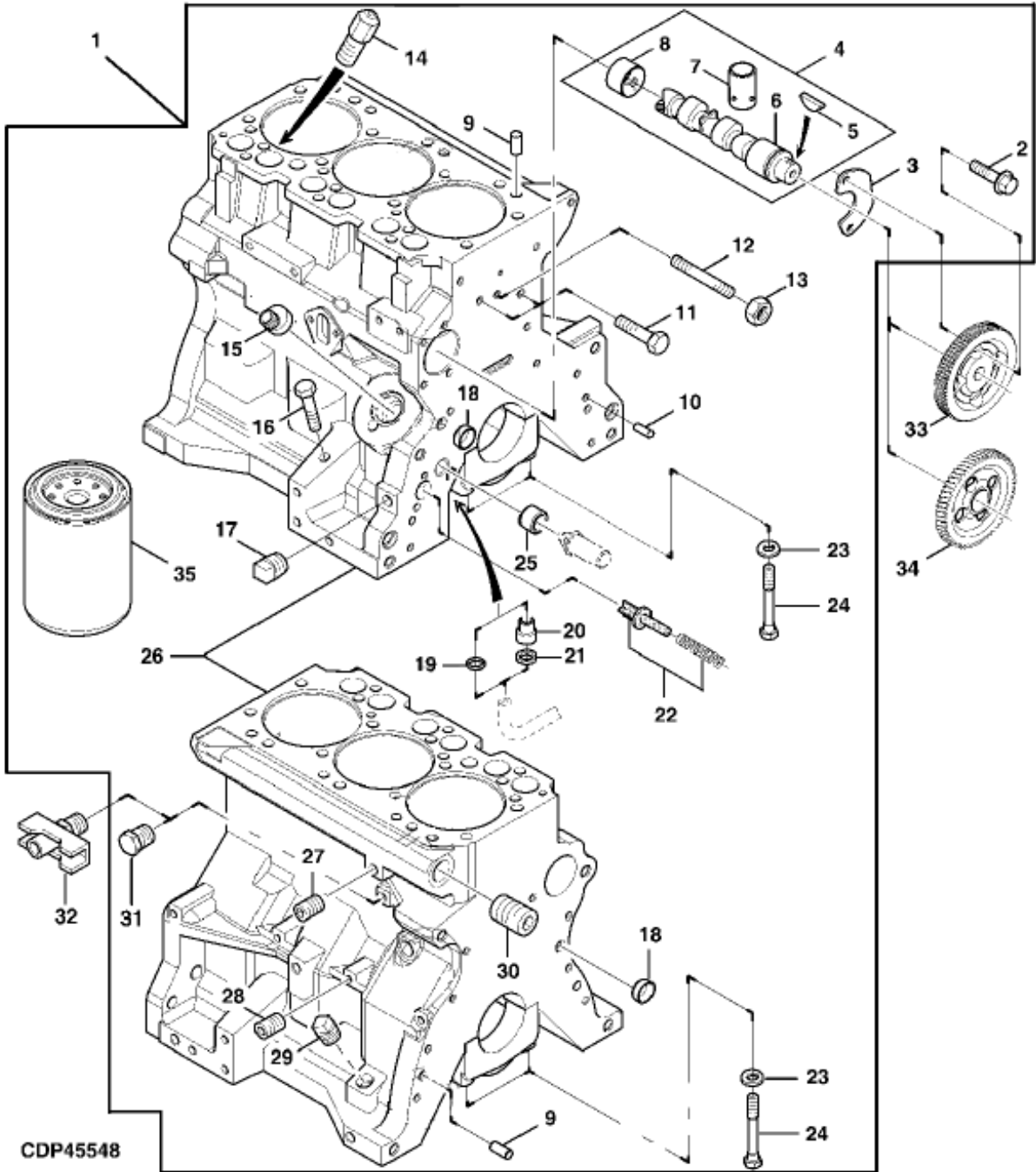
Month/Year

02 / 2006



T7074

CDP45548 -UN-09APR03



CDP45548

NOTE

CD3029TF270



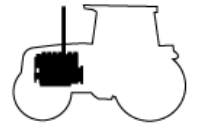
# FIG 108

# BEARINGS/CRANKSHAFT

P1

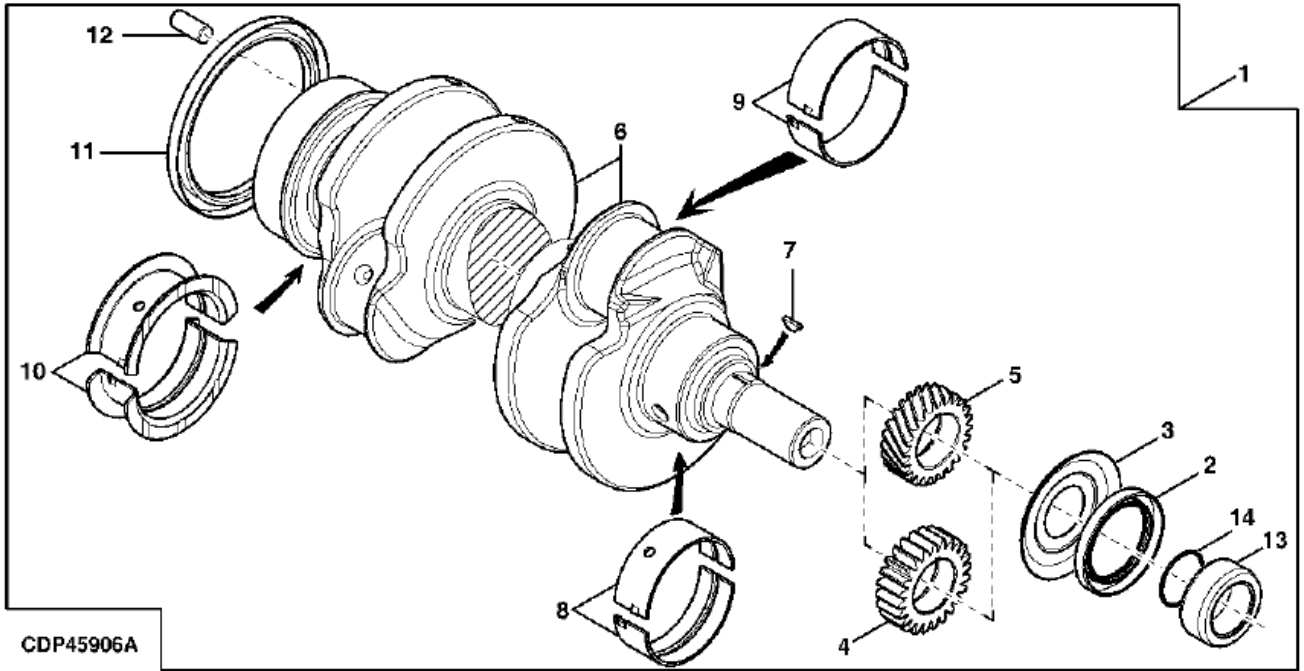
Month/Year

02 / 2006



T7074

CDP45906A -UN-07JUN05



CDP45906A

NOTE

CD3029TF270



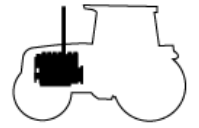
**FIG 109**

**BEARINGS, THRUST BEARING**

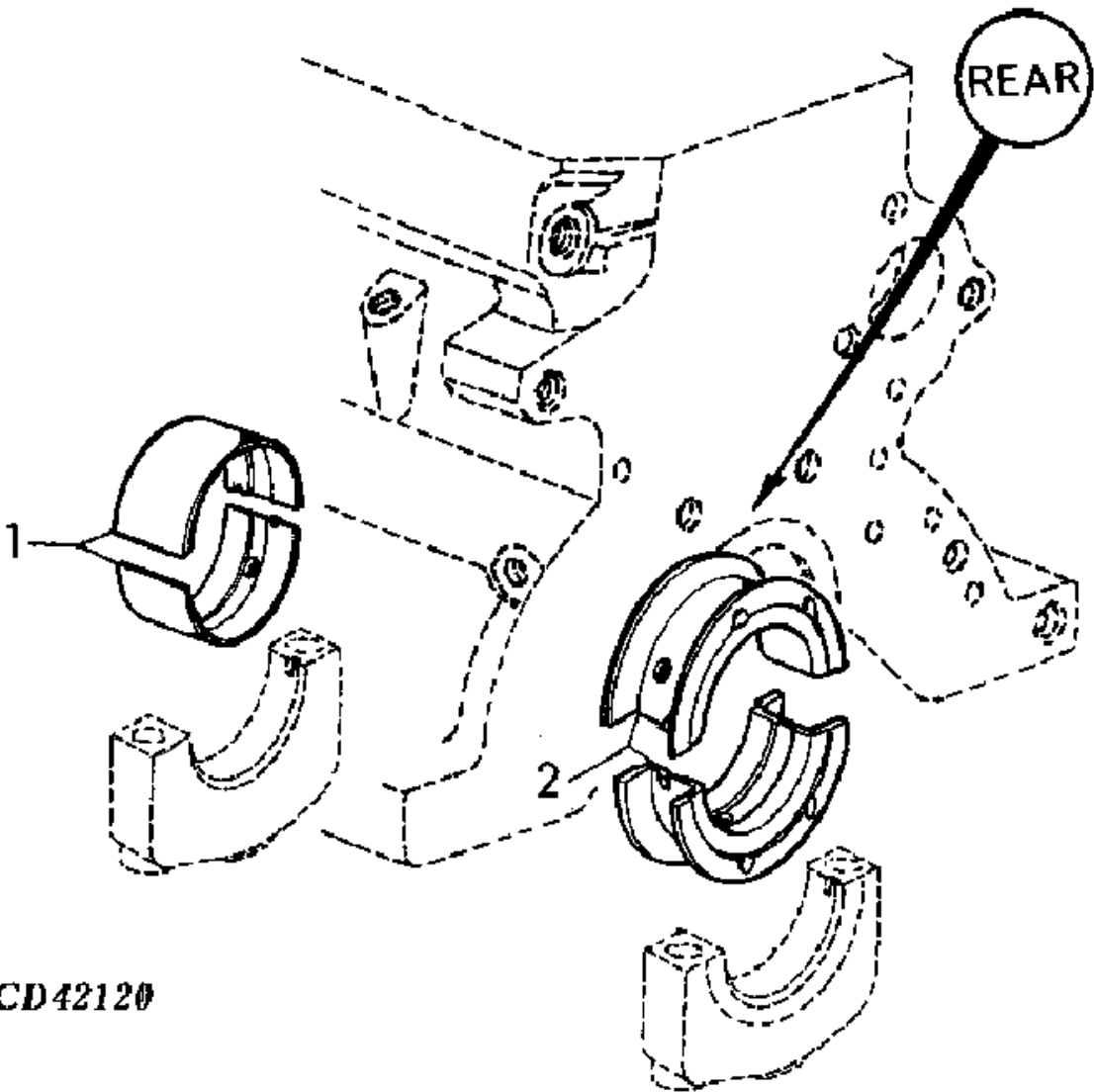
P1

Month/Year

02 / 2006



T7074



**CD42120**

NOTE

CD3029TF270





# FIG 110

T7074

# CONNECTING ROD / BEARINGS

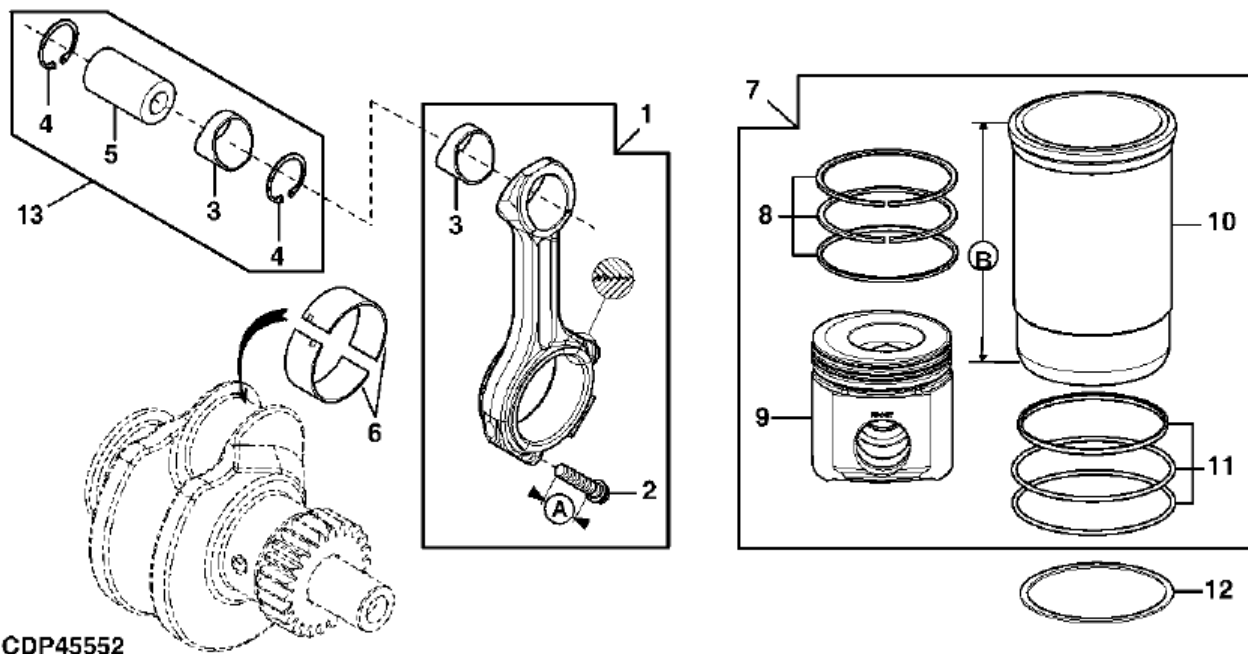
P1

Month/Year

02 / 2006



CDP45552 -UN-21MAR03



CDP45552

NOTE

CD3029TF270



# FIG 111

# OIL DIPSTICK / GUIDE

P1

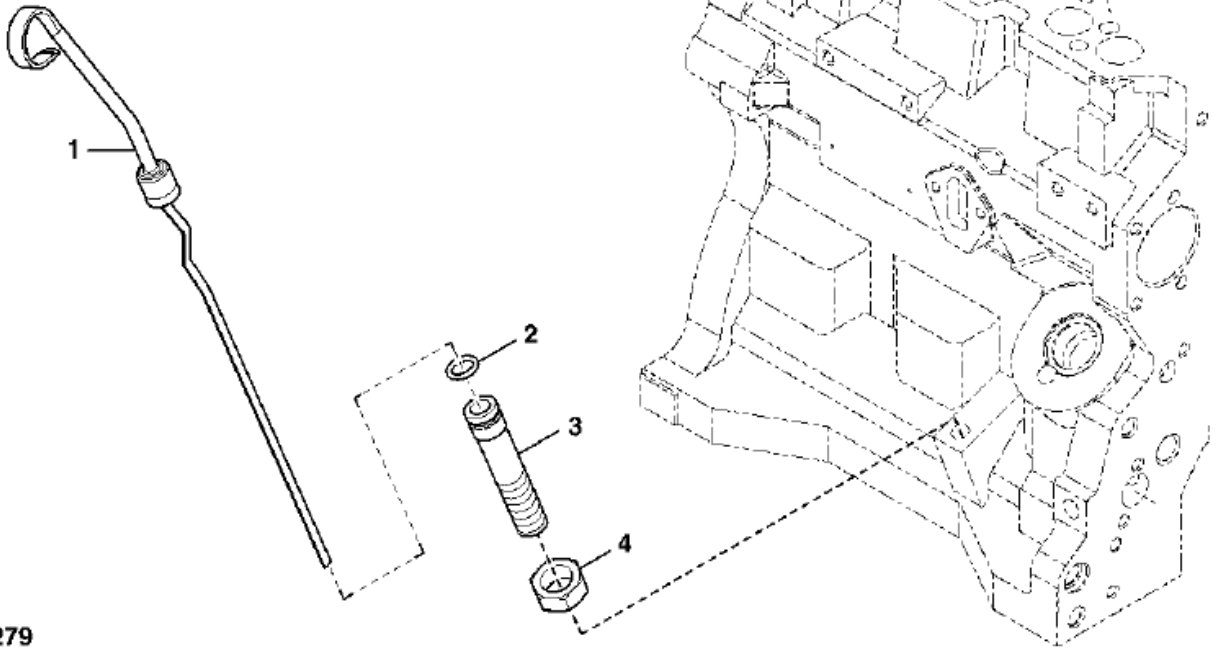
Month/Year

02 / 2006



T7074

CDP46279 -UN-22JUN04



CDP46279

NOTE

CD3029TF270



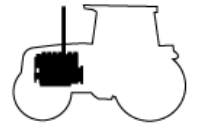
FIG 112

OIL PUMP/SPUR GEAR DRIVE

P1

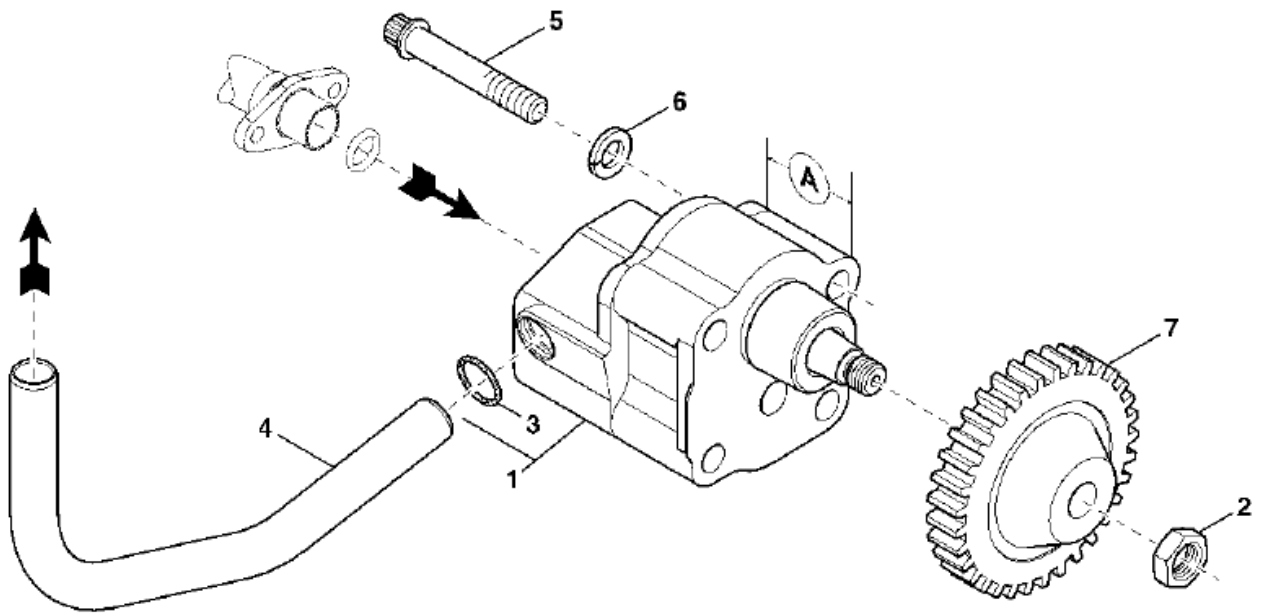
Month/Year

02 / 2006



T7074

CDP47233 -UN-05OCT05



CDP47233

NOTE

CD3029TF270



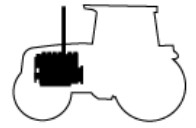
**FIG 113**

**OIL PUMP KIT**

P1

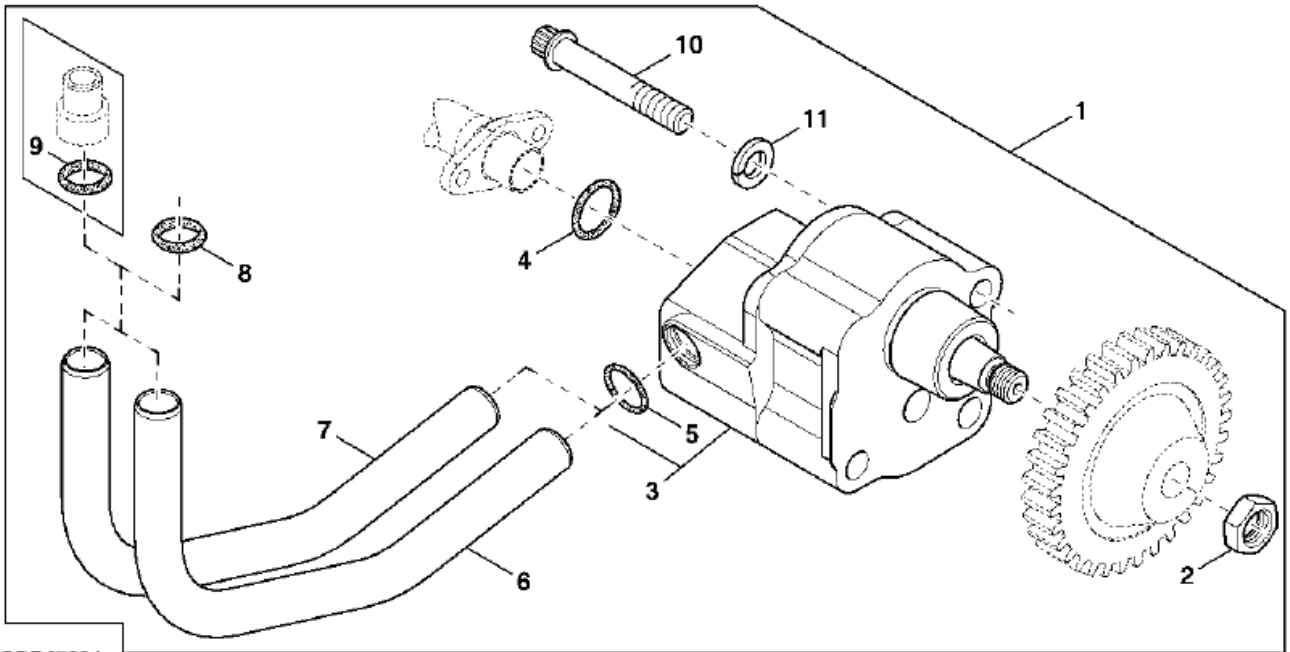
Month/Year

02 / 2006



T7074

CDP47234 -UN-06OCT05



CDP47234

NOTE

CD3029TF270





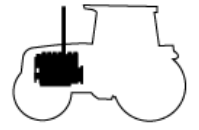
FIG 114

OIL PAN

P1

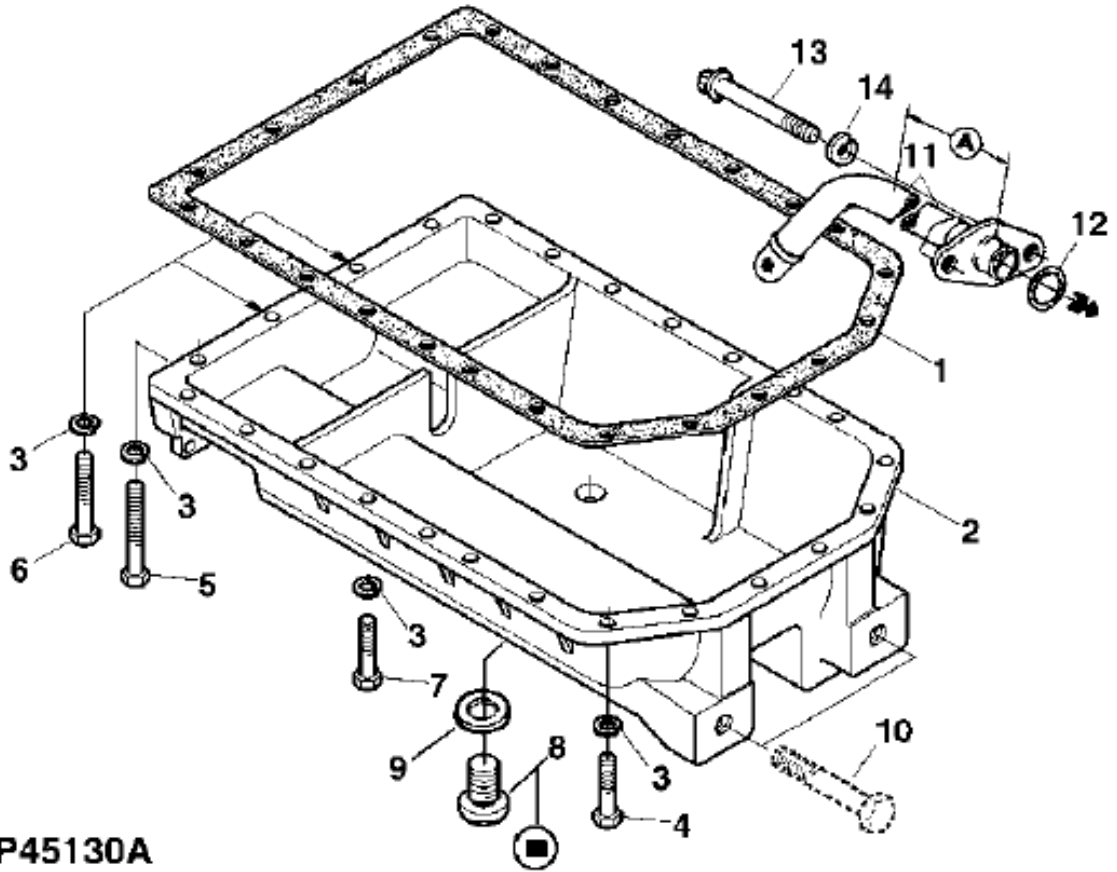
Month/Year

02 / 2006



T7074

CDP45130A -UN-09DEC03



CDP45130A

NOTE

CD3029TF270



# FIG 115

# CRANKSHAFT PULLEY

P1

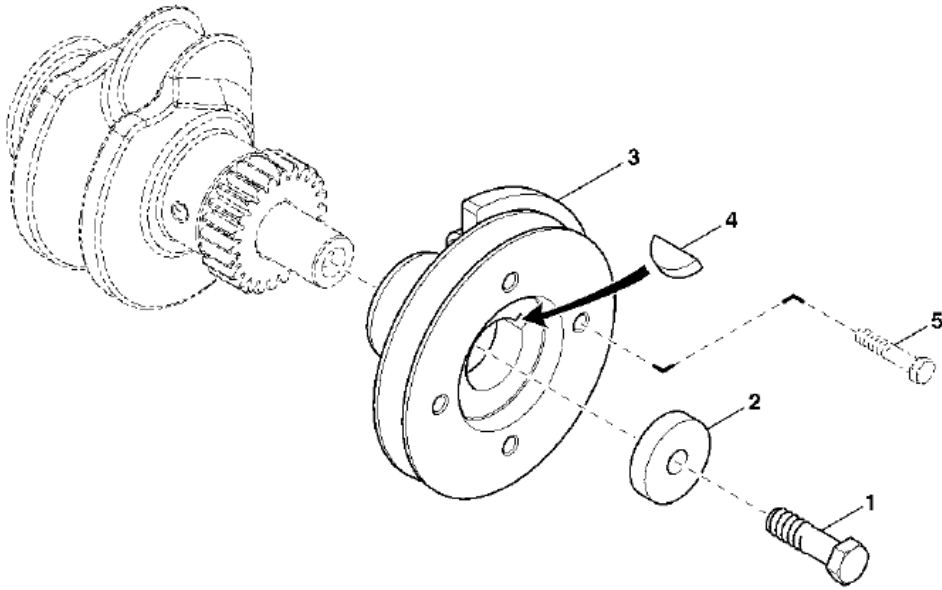
Month/Year

02 / 2006

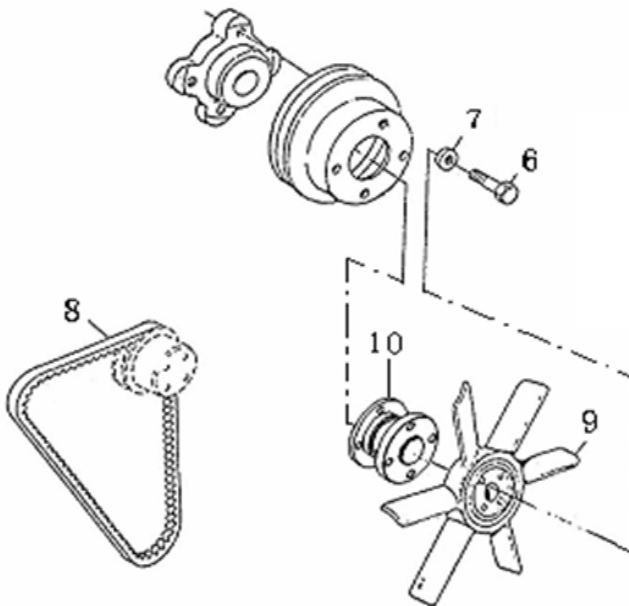


T7074

CDP47235 -UN-06OCT05



CDP47235



NOTE

CD3029TF270



**FIG 116**

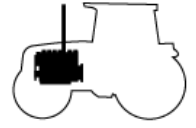
T7074

**OIL FILLER NECK**

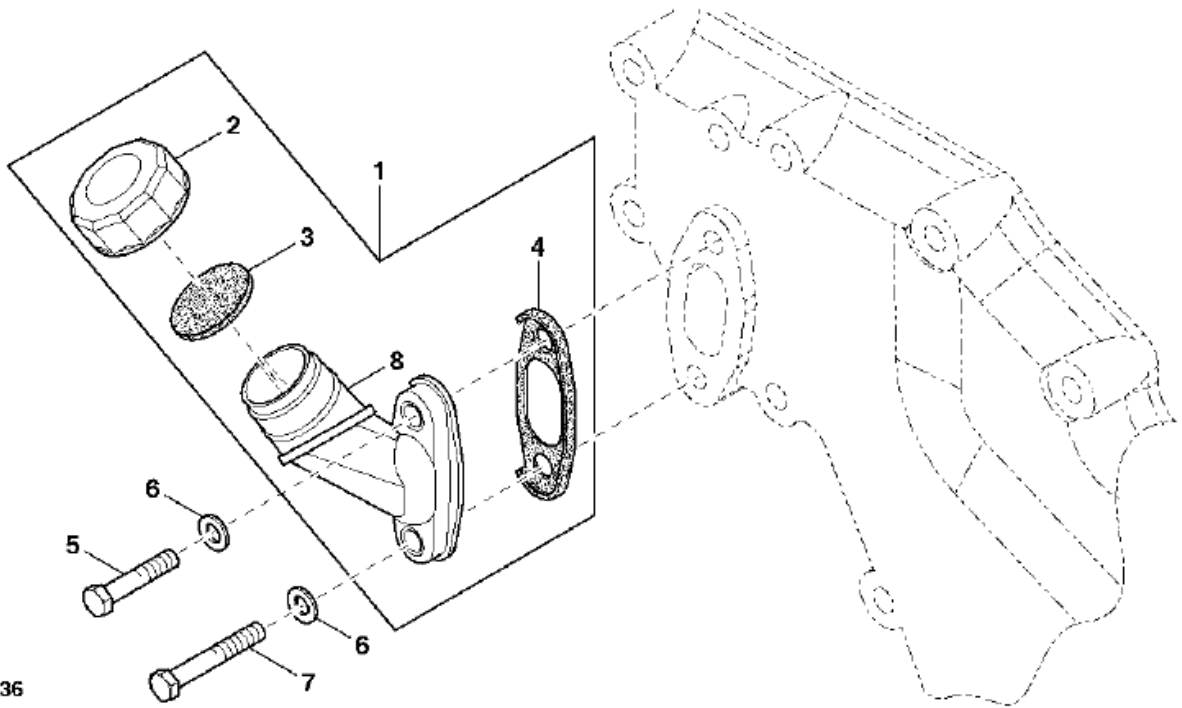
P1

Month/Year

02 / 2006



CDP47236 -UN-06OCT05



CDP47236

NOTE

CD3029TF270



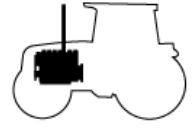
# FIG 117

# TIMING GEAR COVER / UPPER TIMING GEAR

P1

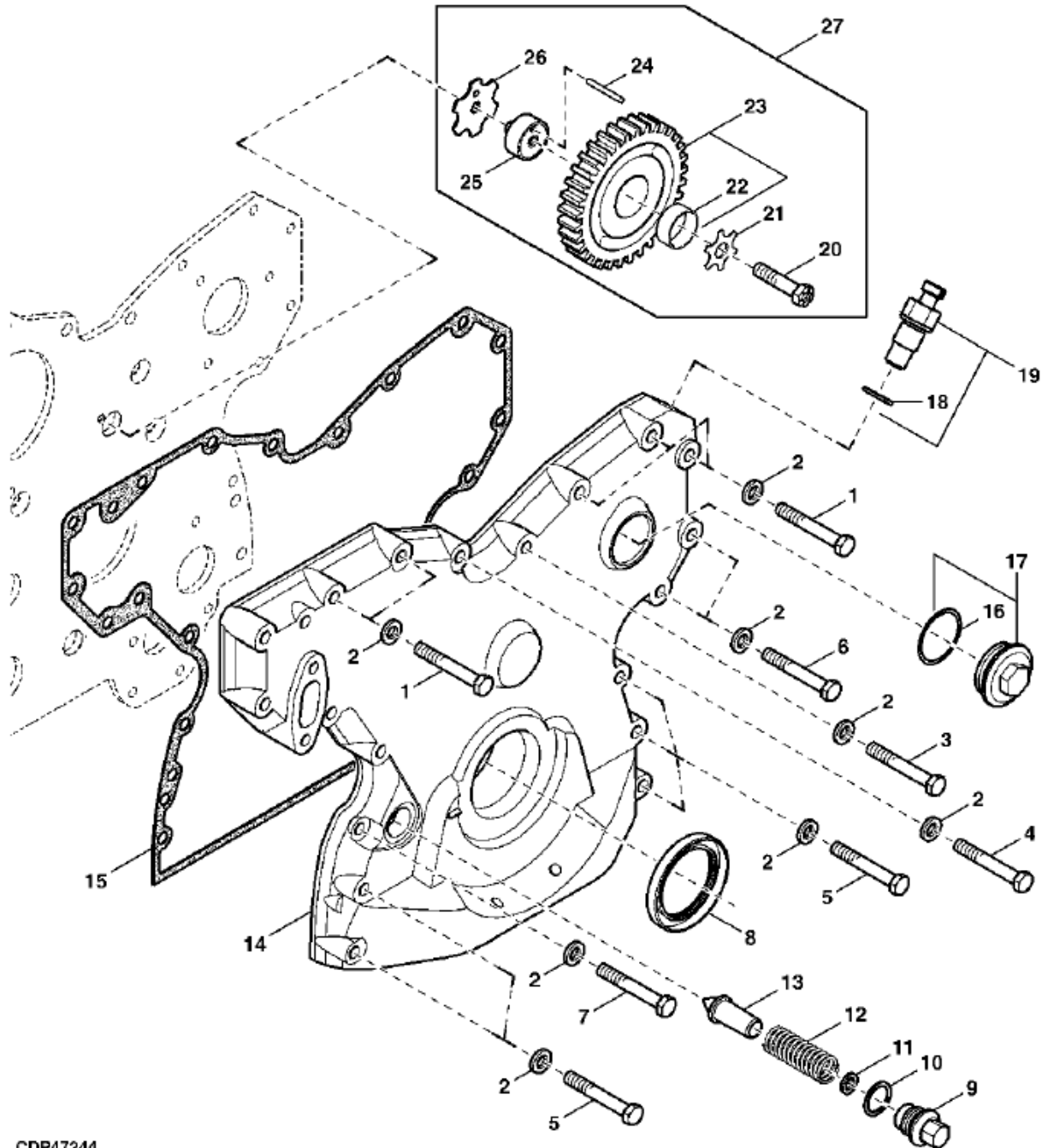
Month/Year

02 / 2006



T7074

CDP47244 -UN-19OCT05



CDP47244

NOTE

CD3029TF270





# FIG 118

T7074

## HARDWARE FOR RIGHT HAND SIDE POWER-TAKEOFF

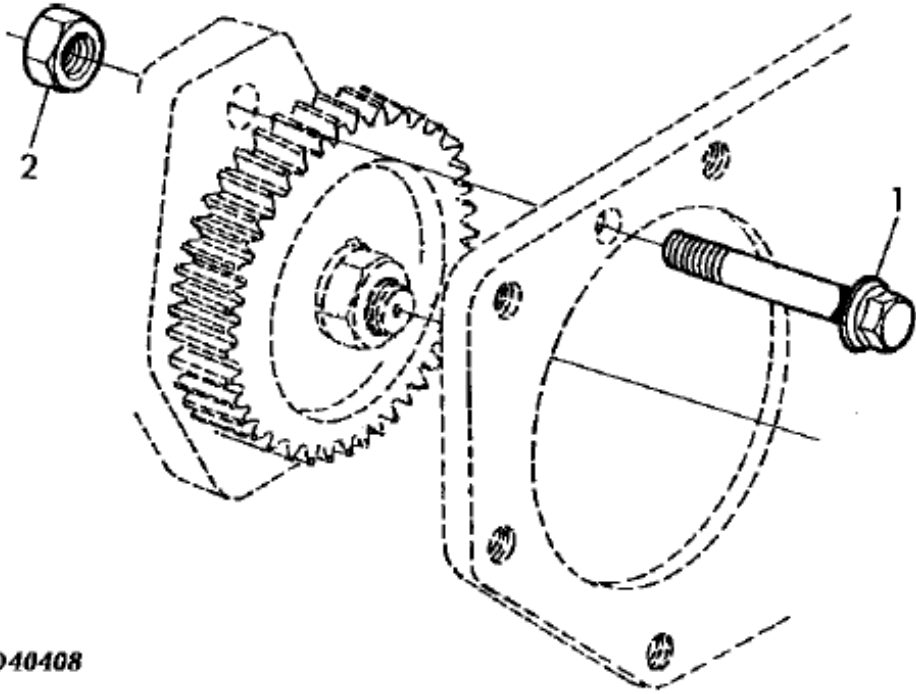
P1

Month/Year

02 / 2006



CD40408 -UN-23MAY95



**CD40408**

NOTE

CD3029TF270



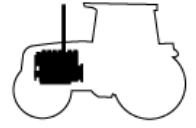
**FIG 119**

**FRONT PLATE&LOWER IDLE GEAR**

P1

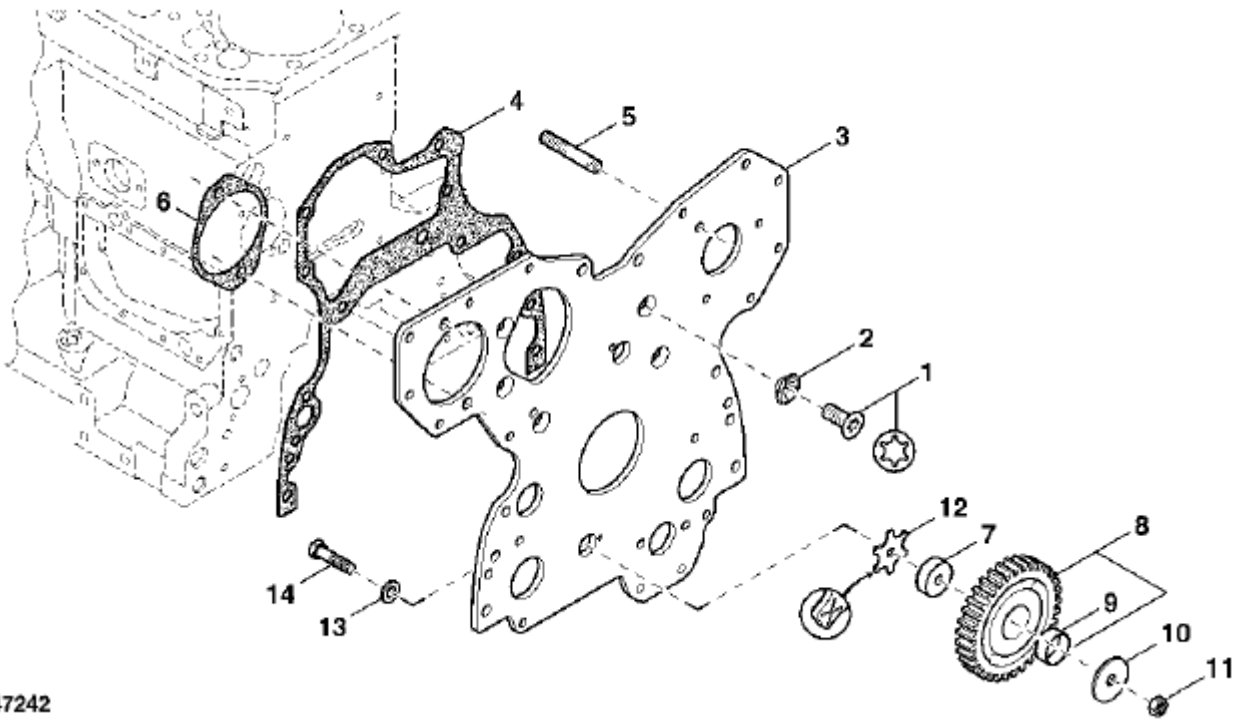
Month/Year

02 / 2006



T7074

CDP47242 -UN-07OCT05



CDP47242

NOTE

CD3029TF270



**FIG 120**

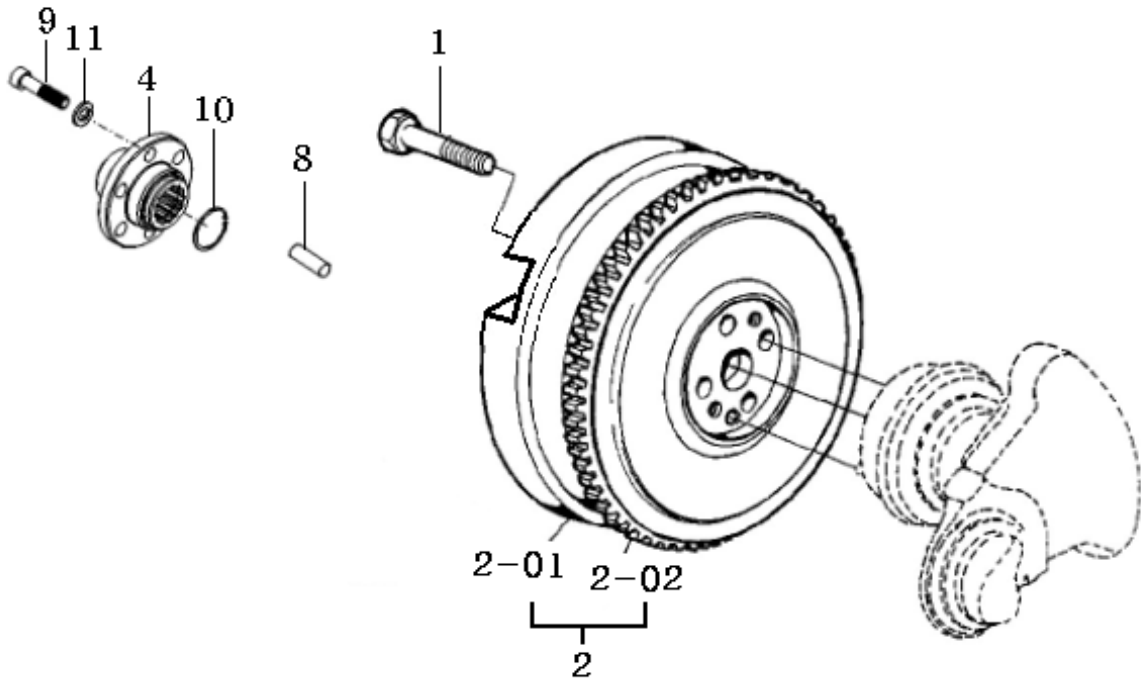
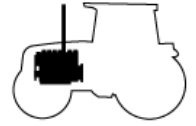
T7074

**FLYWHEEL**

P1

Month/Year

02 / 2006



NOTE

CD3029TF270



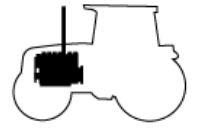
**FIG 121**

**FLYWHEEL HOUSING**

P1

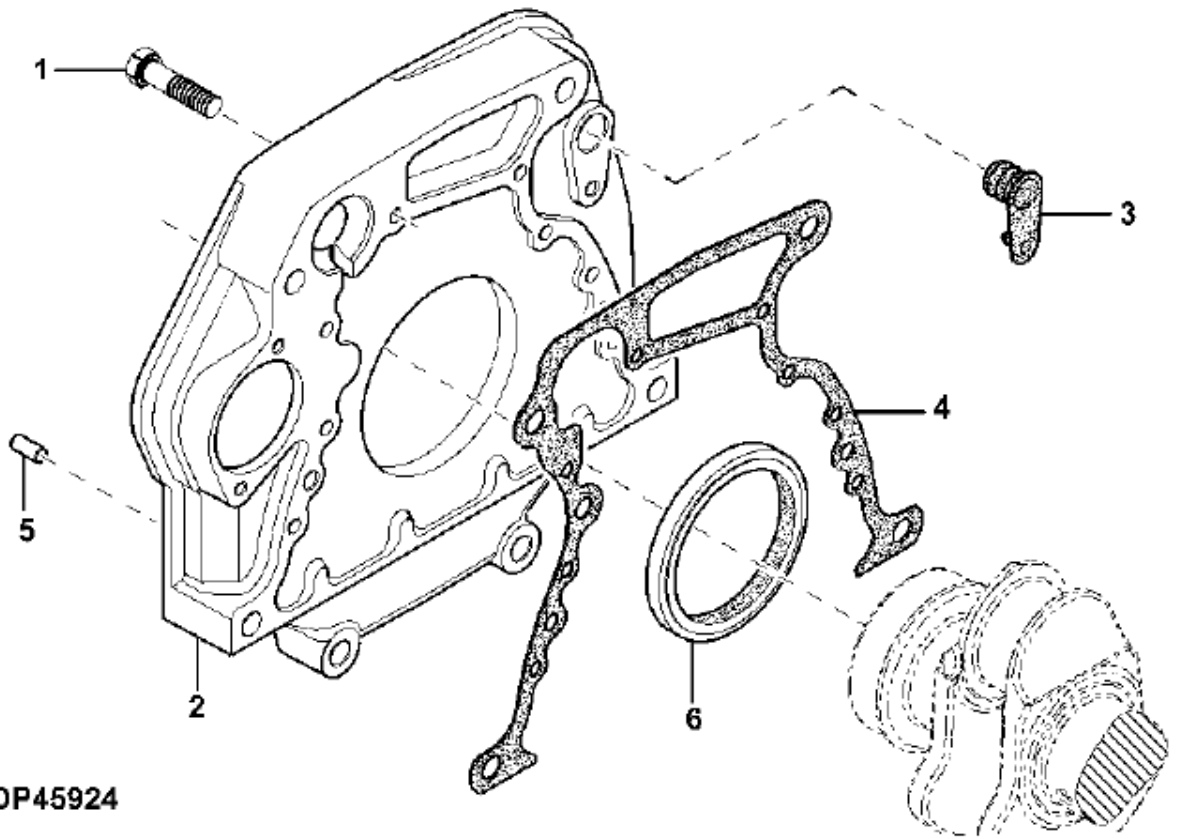
Month/Year

02 / 2006



T7074

CDP45924 -UN-12DEC03



CDP45924

NOTE

CD3029TF270





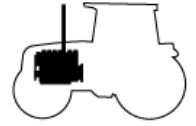
**FIG 122**

**OIL PRESSURE SWITCH**

P1

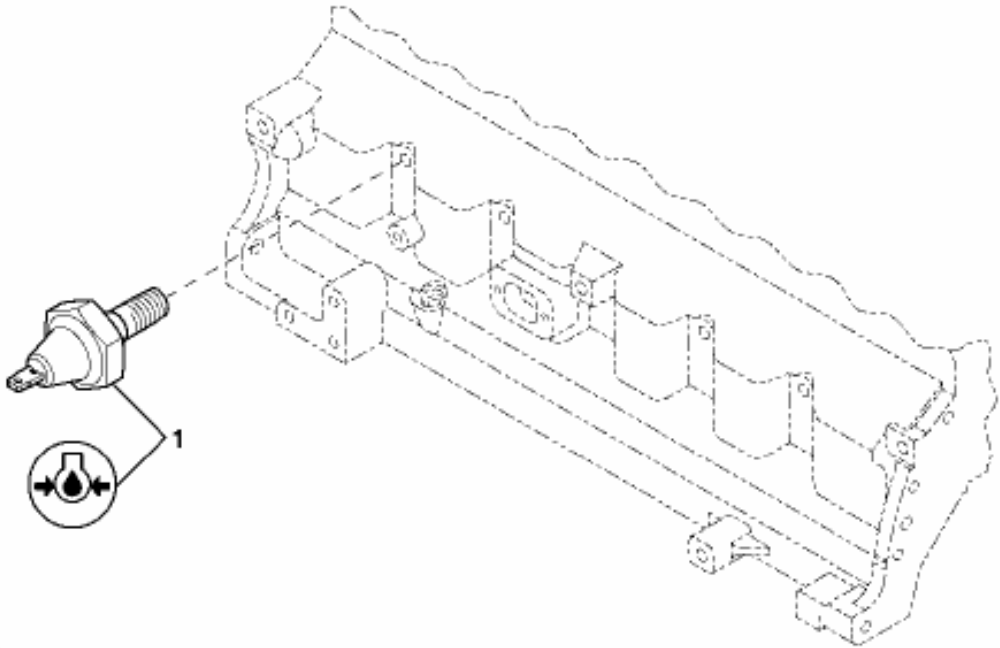
Month/Year

02 / 2006



T7074

CDP45113A -UN-06MAY03



**CDP45113A**

NOTE

CD3029TF270



**FIG 123**

T7074

**THERMOSTAT/COVER/BY PASS  
TUBE TO WATER PUMP**

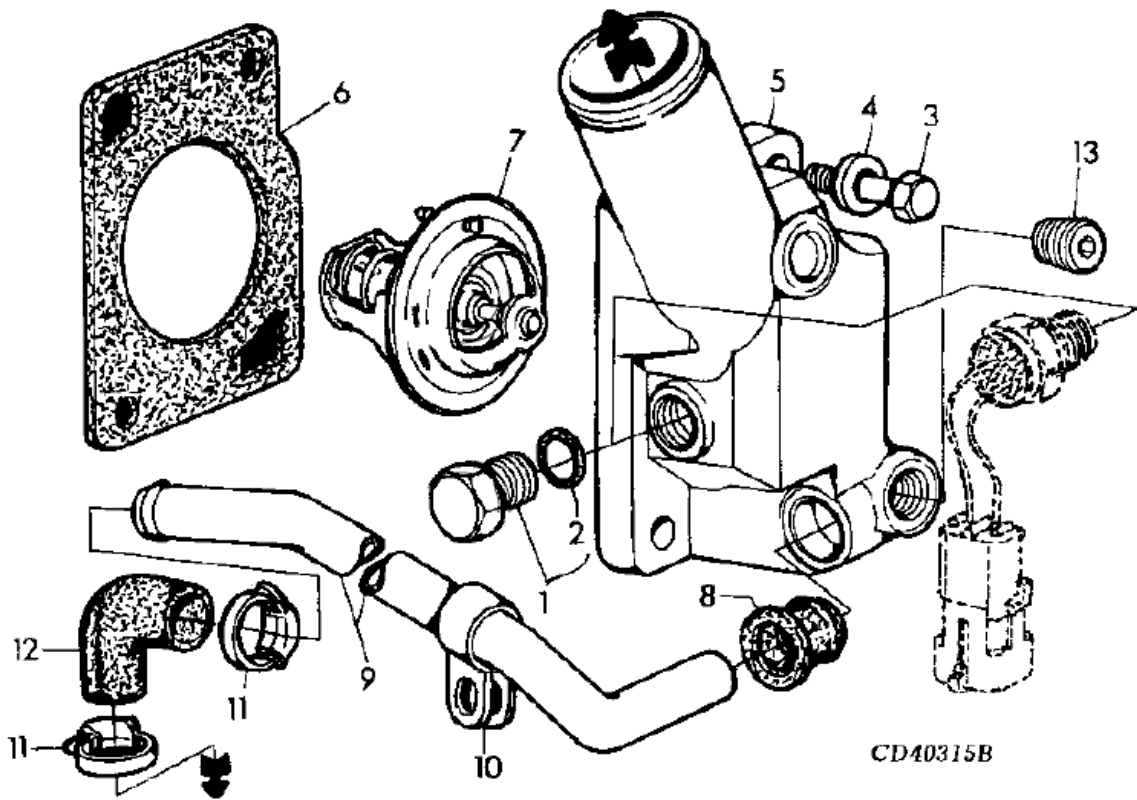
P1

Month/Year

02 / 2006



CD40315B -UN-19OCT99



CD40315B

NOTE

CD3029TF270



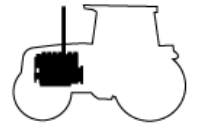
# FIG 124

# WATER PUMP

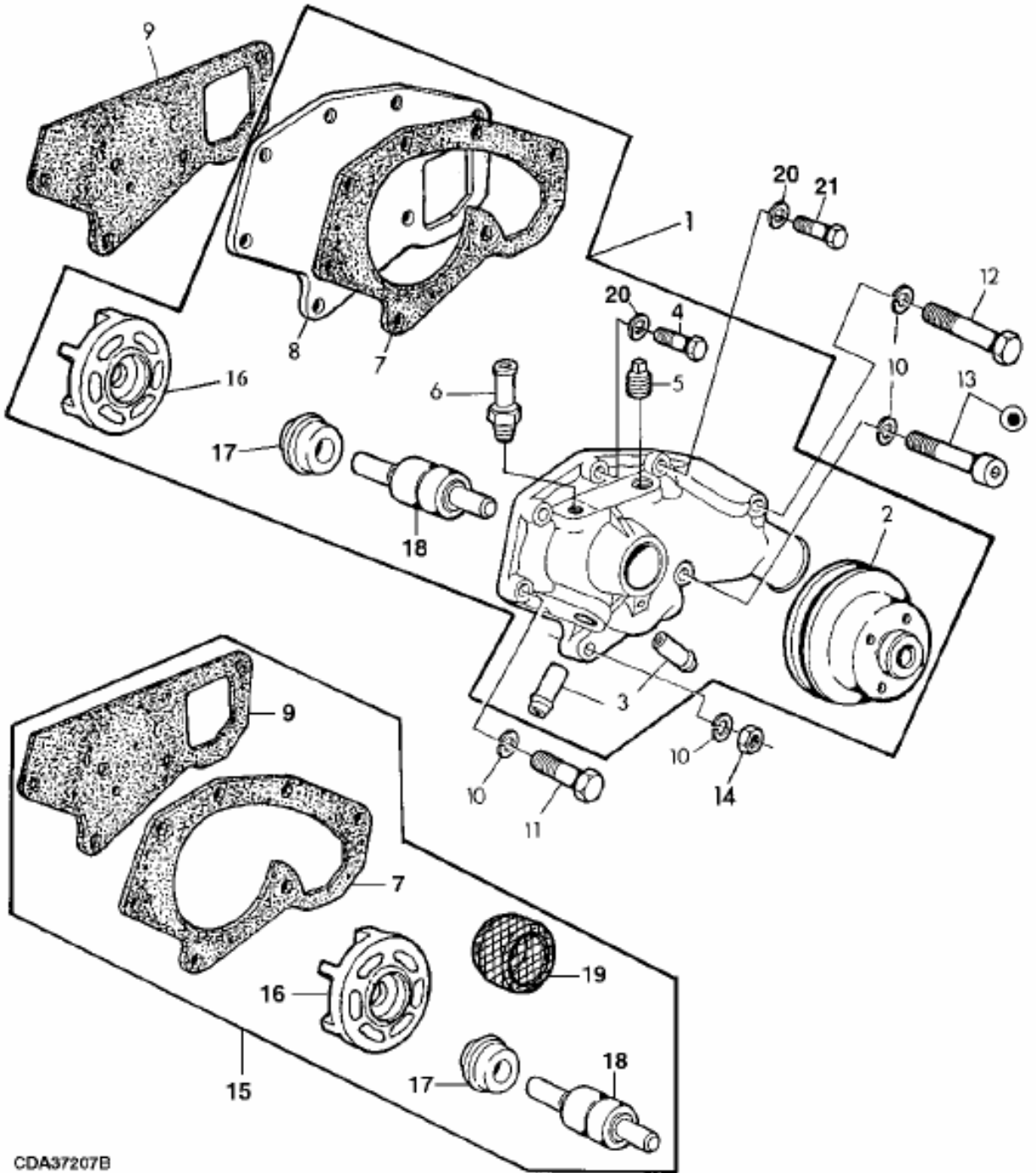
P1

Month/Year

02 / 2006



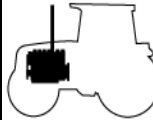
CDA37207B -UN-25OCT04



CDA37207B

NOTE

CD3029TF270

KEY NO.		PART NO.	DESCRIPTION	SPEC.	QTY.	REPAIR	ENG. SERIAL NO	REMARKS	
<b>FIG 124</b>		<b>WATER PUMP</b>					<b>P1</b>	Month / Year	
T7074							02 / 2006		
124	001	RE64077	PUMP		1	B			
124	002	T23628	PULLEY	OD=126MM	1				
124	003	R48993	TUBE	OD 16MM	2				
124	004	19H3219	CAP SCREW	3/8" X 1-3/8"	2				
124	005	15H584	PIPE PLUG	1/2"-14NPTF	1				
124	006	L30291	ADAPTER FITTING	1/4"-18NPTF	1				
124	007	R97455	GASKET		1	C			
124	008	R102901	COVER	TK 6MM	1				
124	009	T20243	GASKET		1	C			
124	010	12H304	LOCK WASHER	3/8"	4				
124	011	19H3065	CAP SCREW	3/8" X 2"	1				
124	012	19H1912	CAP SCREW	3/8" X 3-1/2"	1				
124	013	19H3413	SCREW	3/8" X 3-1/4"	1				
124	014	14H1076	NUT	3/8"-16UNC	1				
124	015	RE62658	KIT		AR				
124	016	.....	IMPELLER	CAST IRON	1				
124	017	.....	SEAL		1				
124	018	.....	BALL BEARING		1				
124	019	R134742	TOOL		1				
124	020	24M7096	WASHER	0.413" X 0.709" X 0.063"	2				
124	021	19H2633	CAP SCREW	3/8" X 1-1/2"	1				
NOTE		CD3029TF270E							

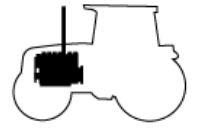
# FIG 125

# OIL COOLER/ADAPTER/OIL FILTER

P1

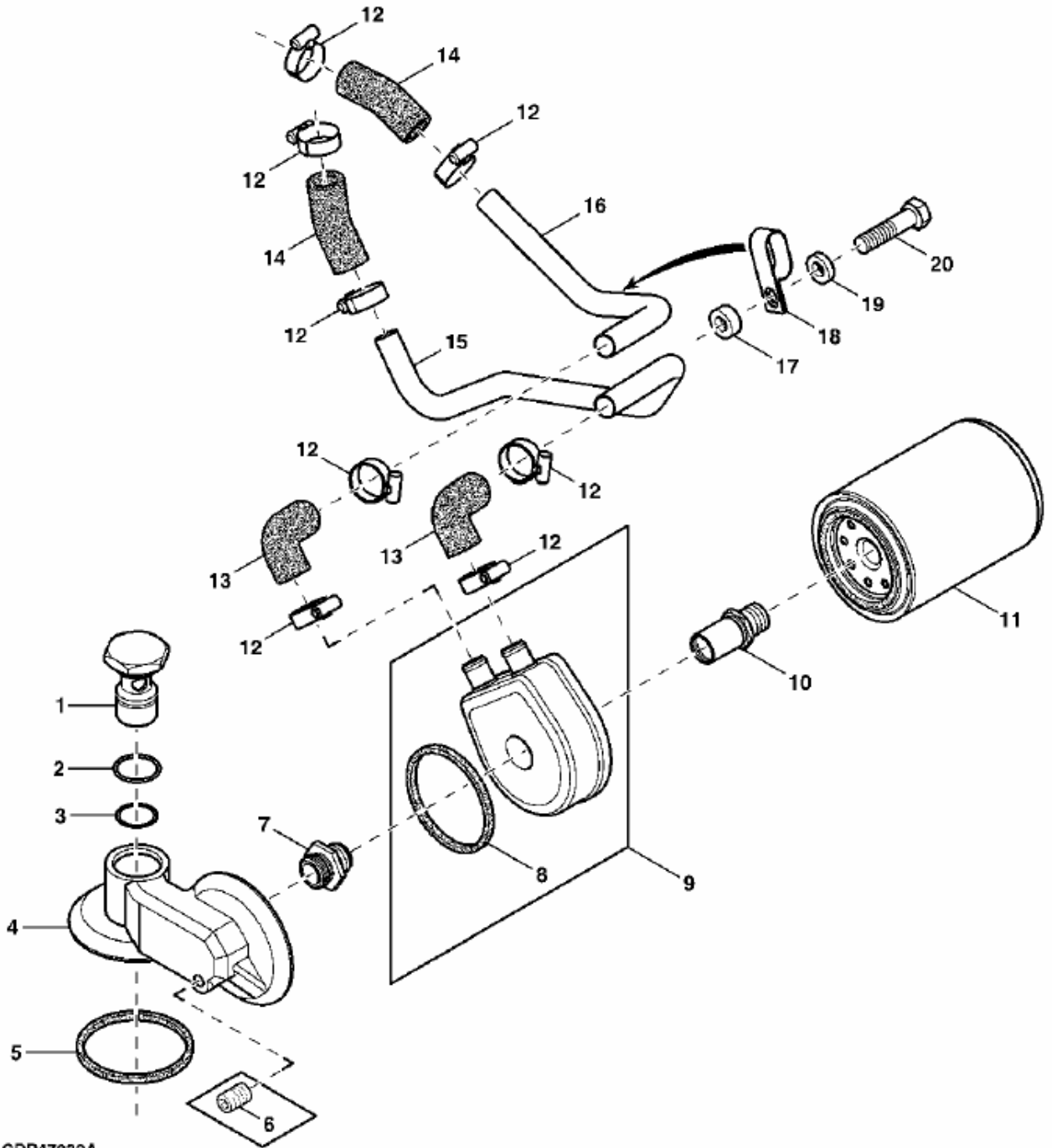
Month/Year

02 / 2006



T7074

CDP47239A -UN-19OCT05



CDP47239A

NOTE CD3029TF270





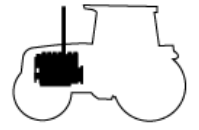
**FIG 127**

**ENGINE GASKET KIT**

P1

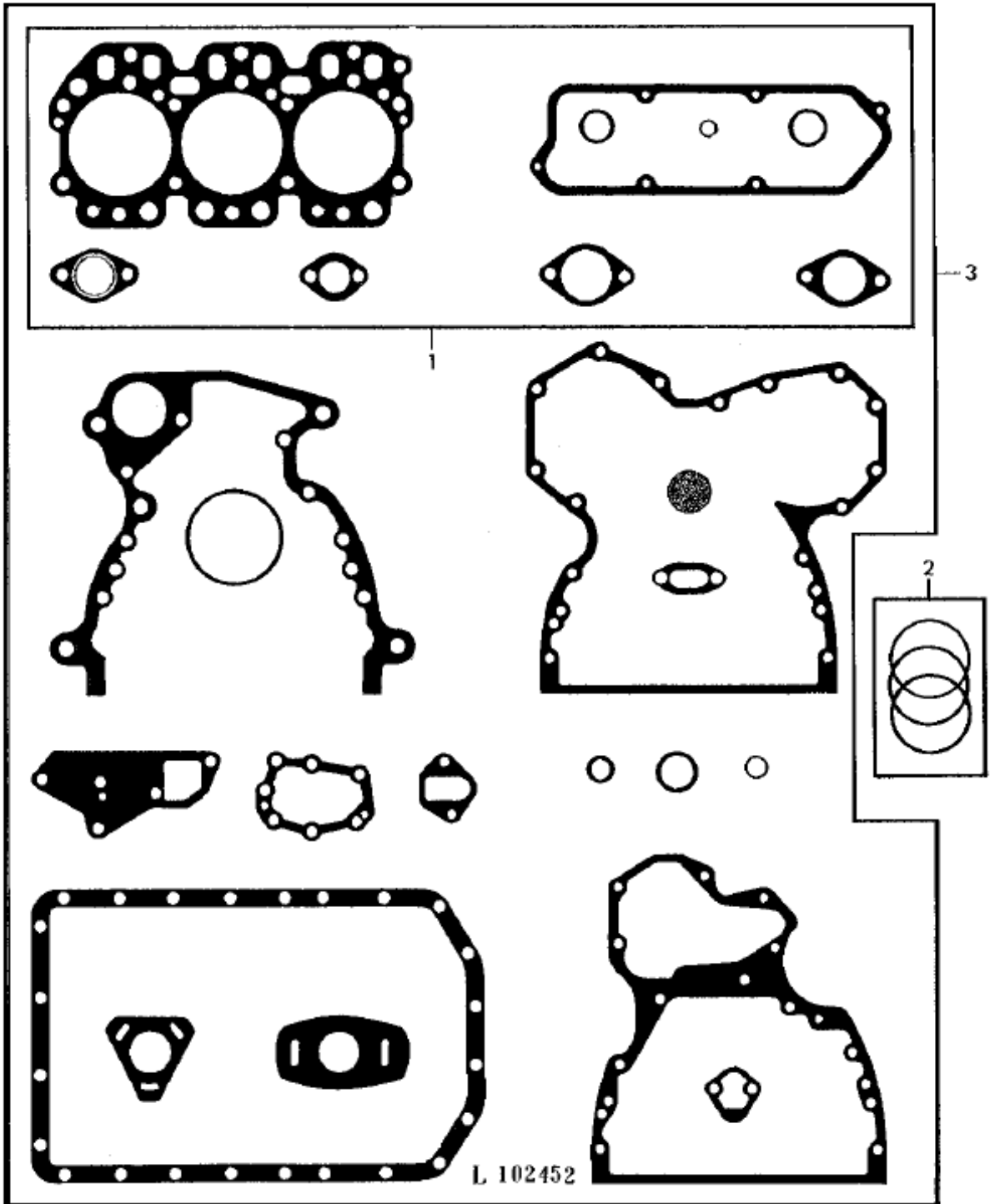
Month/Year

02 / 2006



T7074

L102452 -UN-01JAN94



NOTE

CD3029TF270



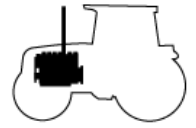
# FIG 128

# SHORT BLOCK ASSEMBLY

P1

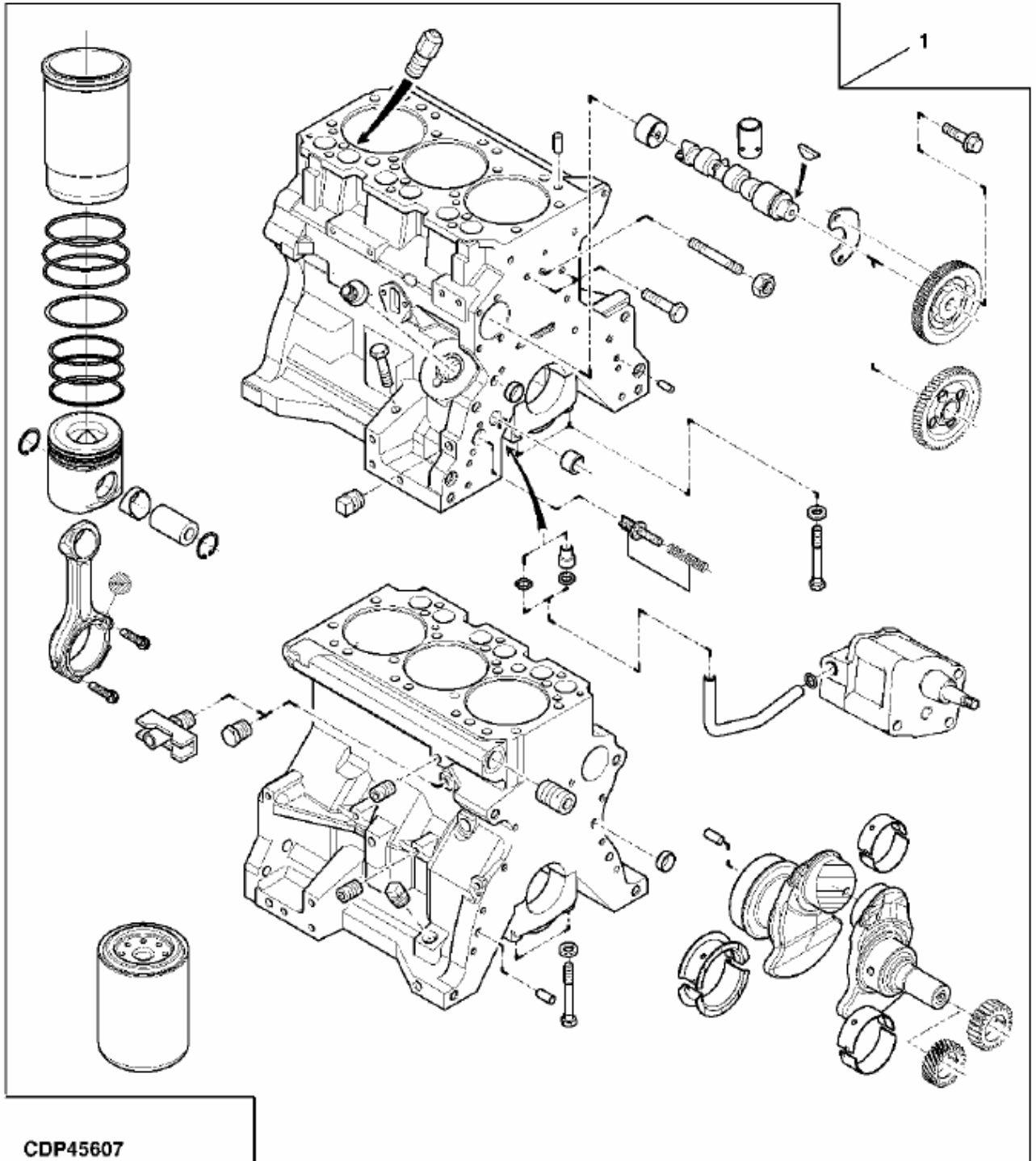
Month/Year

02 / 2006



T7074

CDP45607 -UN-11APR03



NOTE

CD3029TF270



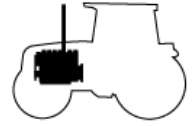
**FIG 129**

**INTAKE MANIFOLD**

P1

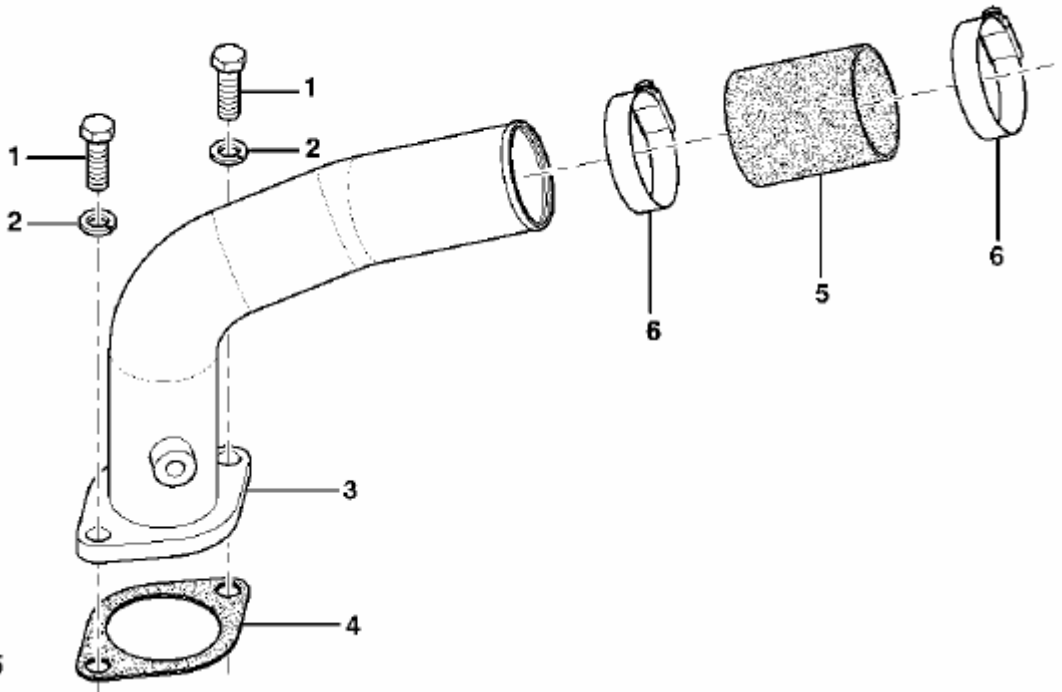
Month/Year

02 / 2006



T7074

CDP45905 -UN-18NOV03



CDP45905

NOTE

CD3029TF270



**FIG 130**

T7074

**COLD WEATHER STARTING AID,  
GLOW PLUG**

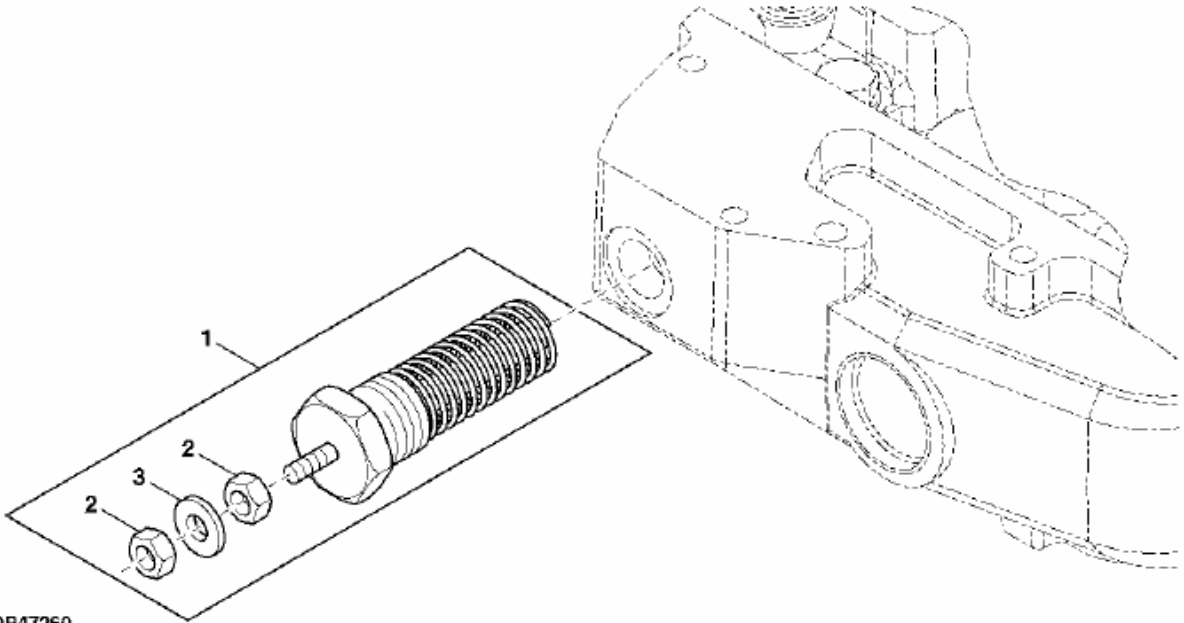
P1

Month/Year

02 / 2006



CDP47260 -UN-12OCT05



CDP47260

NOTE

CD3029TF270





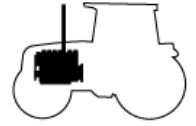
**FIG 131**

**EXHAUST MANIFOLD**

P1

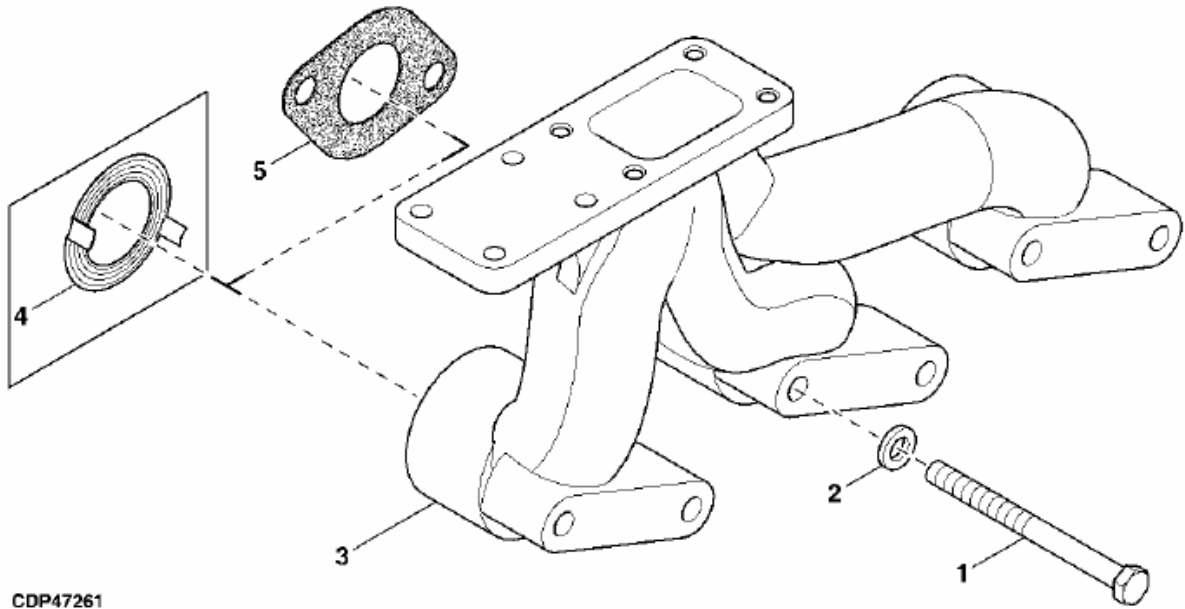
Month/Year

02 / 2006



T7074

CDP47261 -UN-12OCT05



CDP47261

NOTE

CD3029TF270



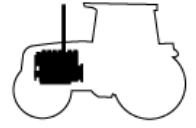
# FIG 132

# NO FUEL PUMP, CLOSING PLATE

P1

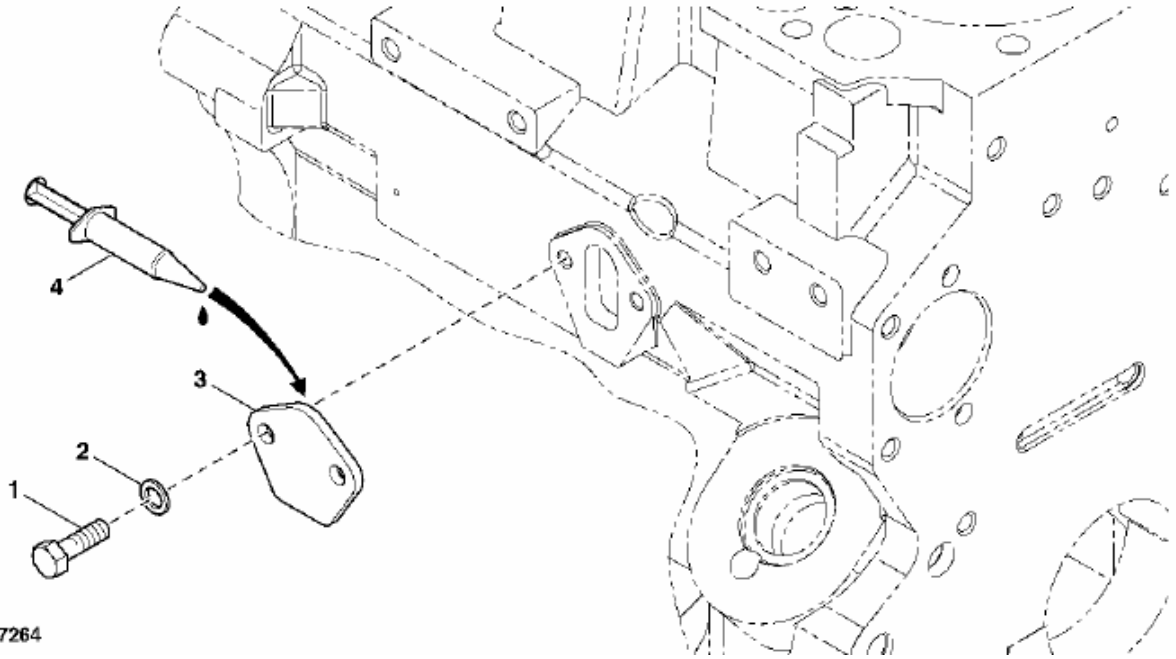
Month/Year

02 / 2006



T7074

CDP47264 -UN-12OCT05



CDP47264

NOTE

CD3029TF270



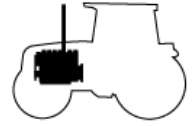
# FIG 133

# FUEL FILTER

P1

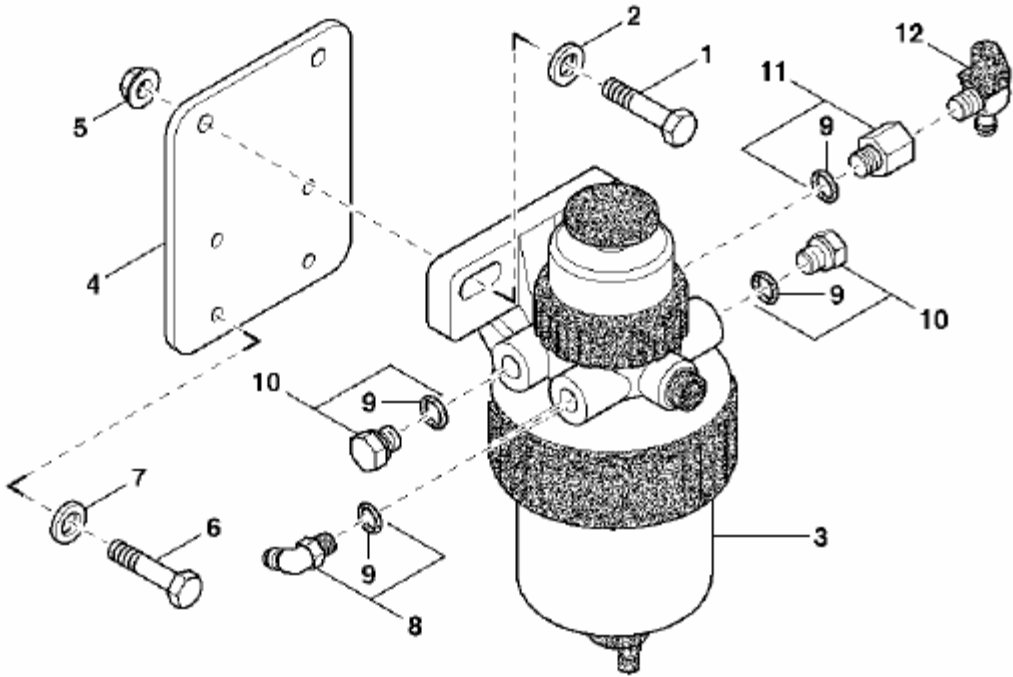
Month/Year

02 / 2006



T7074

CDP46455A -UN-12OCT05



CDP46455A

NOTE

CD3029TF270



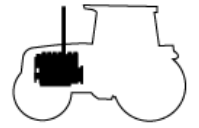
**FIG 134**

**FUEL FILTER (HAND PRIMER)**

P1

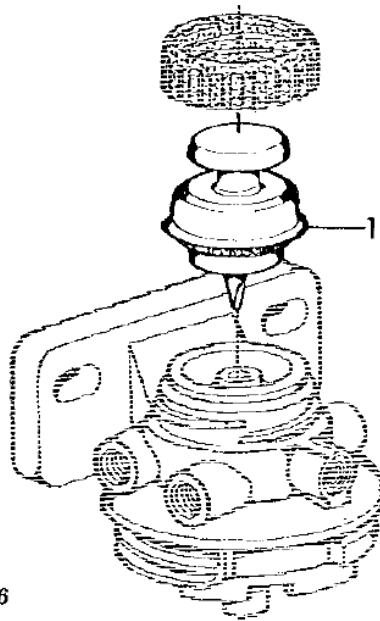
Month/Year

02 / 2006



T7074

CD39026 -UN-01JAN94



**CD39026**

NOTE

CD3029TF270





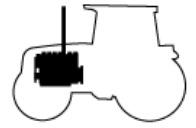
# FIG 135

# FINAL FUEL FILTER

P1

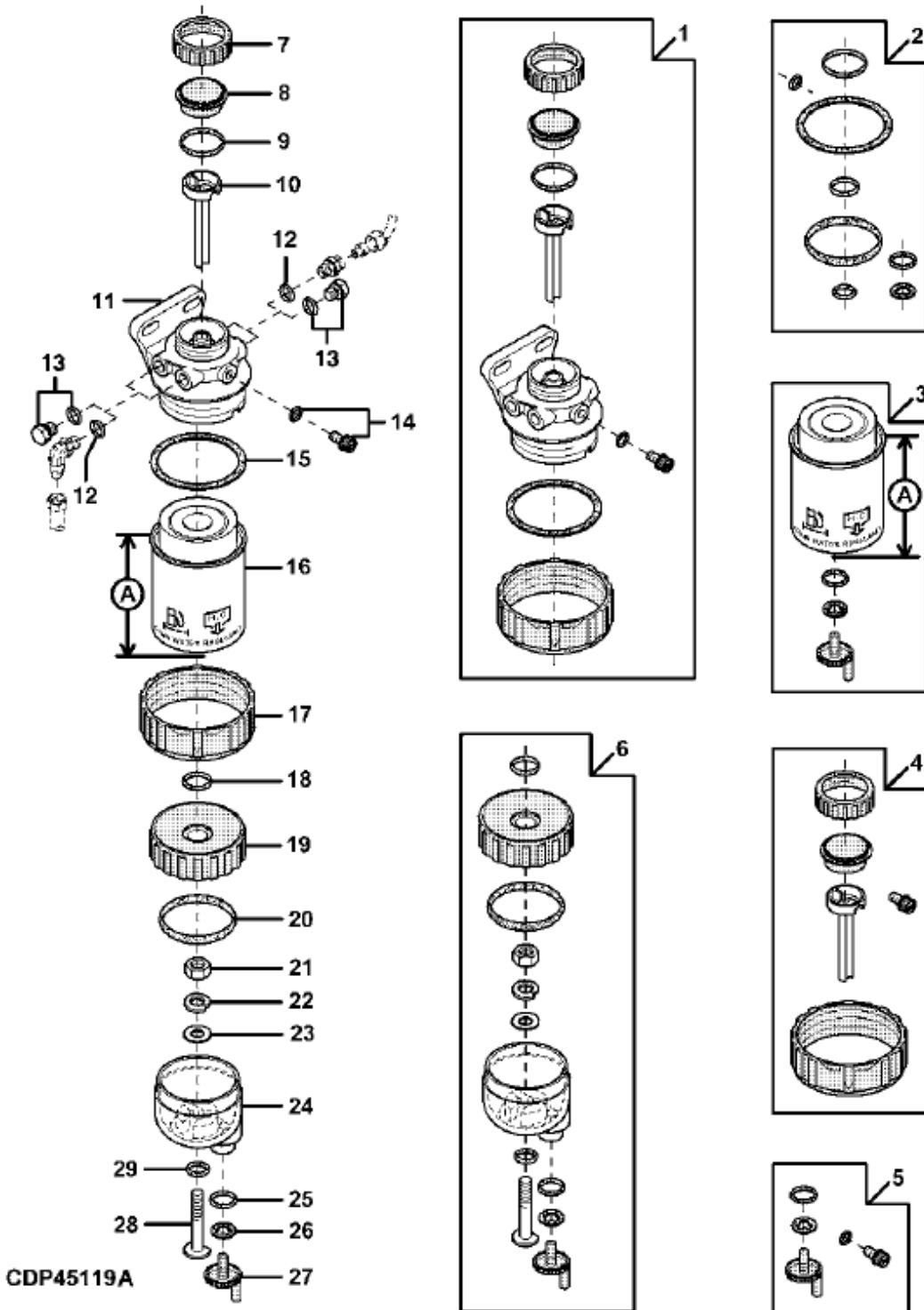
Month/Year

02 / 2006



T7074

CDP45119A -UN-05JUN02



NOTE CD3029TF270

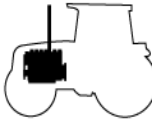
<b>FIG 135</b>		<b>FINAL FUEL FILTER</b>			<b>P1</b>		Month / Year	
T7074							02 / 2006	
KEY NO.	PART NO.	DESCRIPTION	SPEC.	QTY.	REPAIR	ENG. SERIAL NO	REMARKS	
135 001	RE500160	KIT		AR				
135 002	RE516553	KIT		AR				
135 003	RE62418	FUEL FILTER	A = 91MM	1	A			
135 003	RE62419	FUEL FILTER	A = 109MM	1				
135 004	RE526834	KIT		AR				
135 005	RE60854	KIT		AR				
135 006	RE51650	SEDIMENT BOWL		AR				
135 007	.....	RETAINER	NSEP	1				
135 008	.....	RETAINER	NSEP	1				
135 009	RE516513	KIT		1				
135 010	.....	RETAINER	NSEP	1				
135 011	.....	FILTER HEAD	1/2"-20UNF PORTS, NSEP	1				
135 012	R26286	O-RING	10.516 X 1.829 MM	2				
135 013	RE56323	PLUG	1/2"-20UNF	2				
135 014	.....	DRAIN PLUG	NSEP	1				
135 015	R113565	SEAL		1				
135 016	.....	FILTER ELEMENT	NSEP	1				
135 017	.....	RETAINER	NSEP	1				
135 018	.....	O-RING	NSEP	1				
135 019	.....	WING NUT	NSEP	1				
135 020	.....	O-RING	NSEP	1				
135 021	.....	NUT	NSEP	1				
135 022	.....	LOCK WASHER	NSEP	1				
135 023	.....	WASHER	NSEP	1				
135 024	.....	SEDIMENT BOWL	NSEP	1				
135 025	.....	O-RING	NSEP	1				
135 026	.....	GASKET	NSEP	1				
135 027	.....	DRAIN PLUG	NSEP	1				
135 028	.....	SCREW	NSEP	1				
135 029	.....	O-RING	NSEP	1				
<b>NOTE</b> CD3029TF270E								

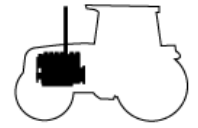
FIG 136

FUEL INJECTION PUMP

P1

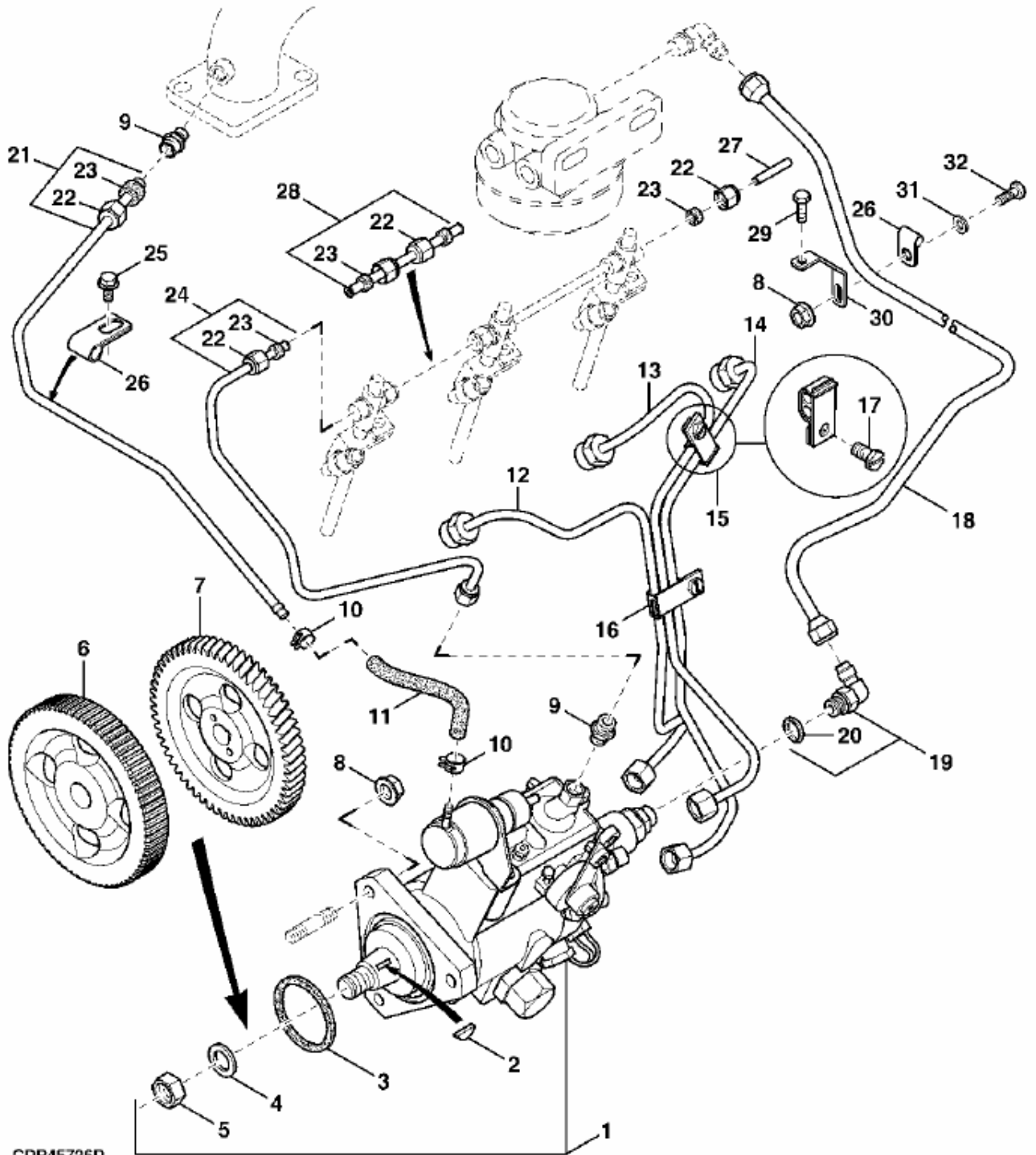
Month/Year

02 / 2006



T7074

CDP45726D -UN-14OCT05



CDP45726D

NOTE CD3029TF270



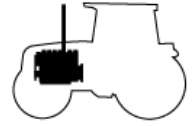
# FIG 137

# FUEL INJECTION PUMP LINKAGE

P1

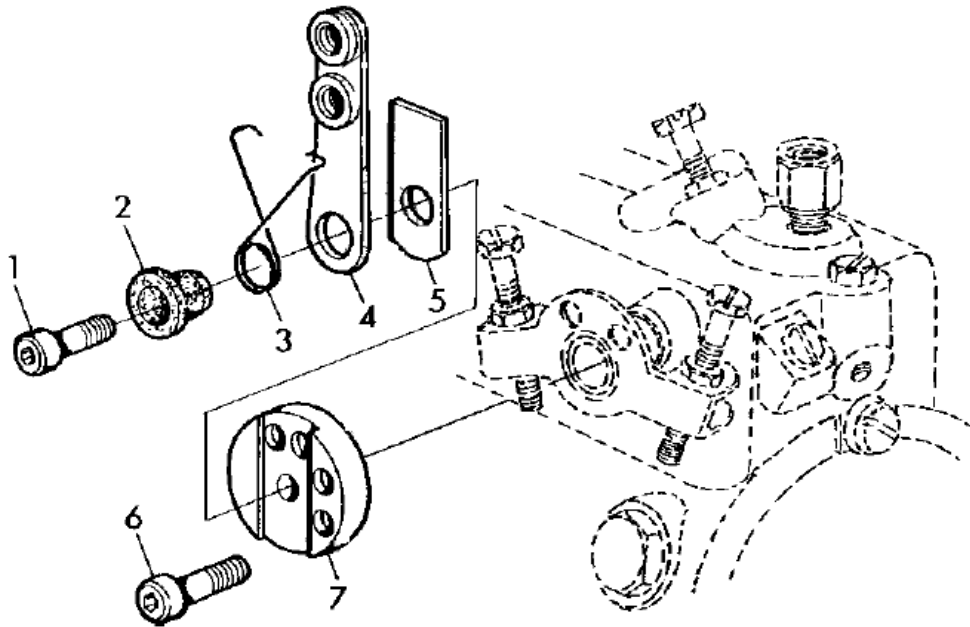
Month/Year

02 / 2006



T7074

CD37292 -UN-17FEB95



CD37292

NOTE

CD3029TF270



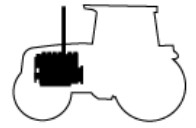
# FIG 139

# INJECTION NOZZLE

P1

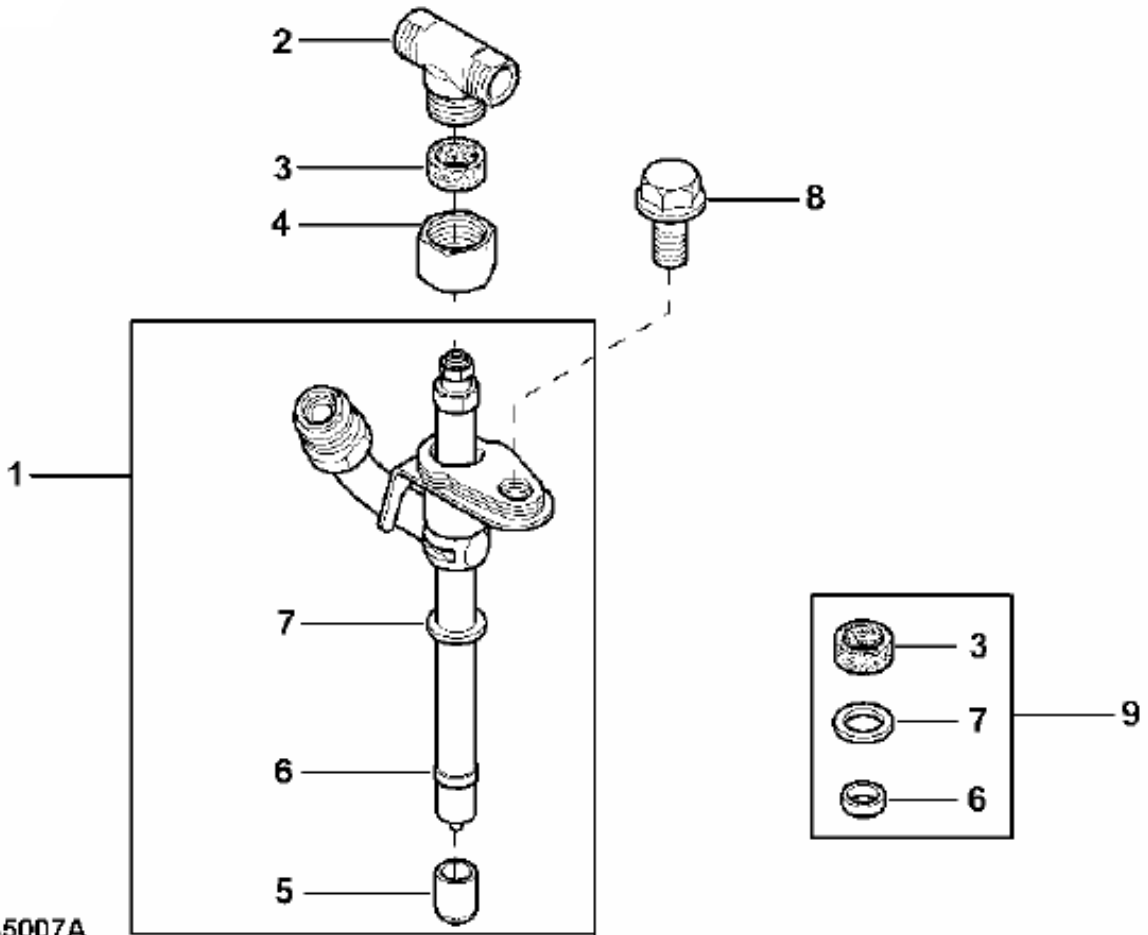
Month/Year

02 / 2006



T7074

CDP45007A -UN-13OCT03



CDP45007A

NOTE

CD3029TF270





**FIG 140**

**COLD ADVANCE SYSTEM, KIT**

P1

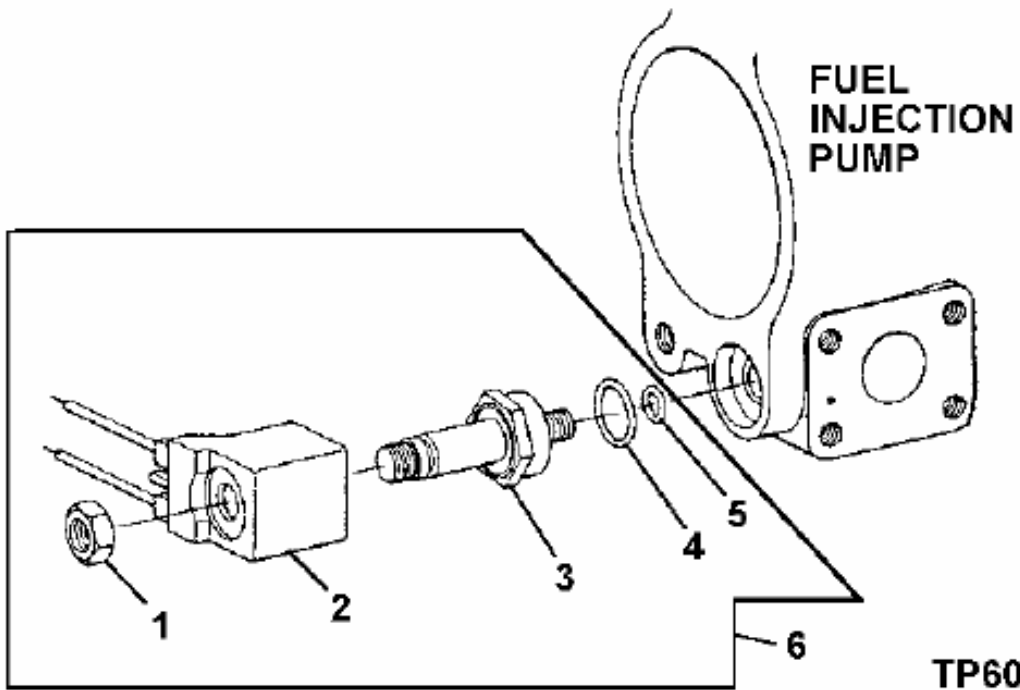
Month/Year

02 / 2006



T7074

TP60760 -UN-24SEP98



NOTE

CD3029TF270



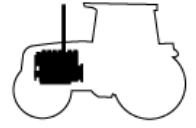
**FIG 141**

**WIRING HARNESS & SENSOR**

P1

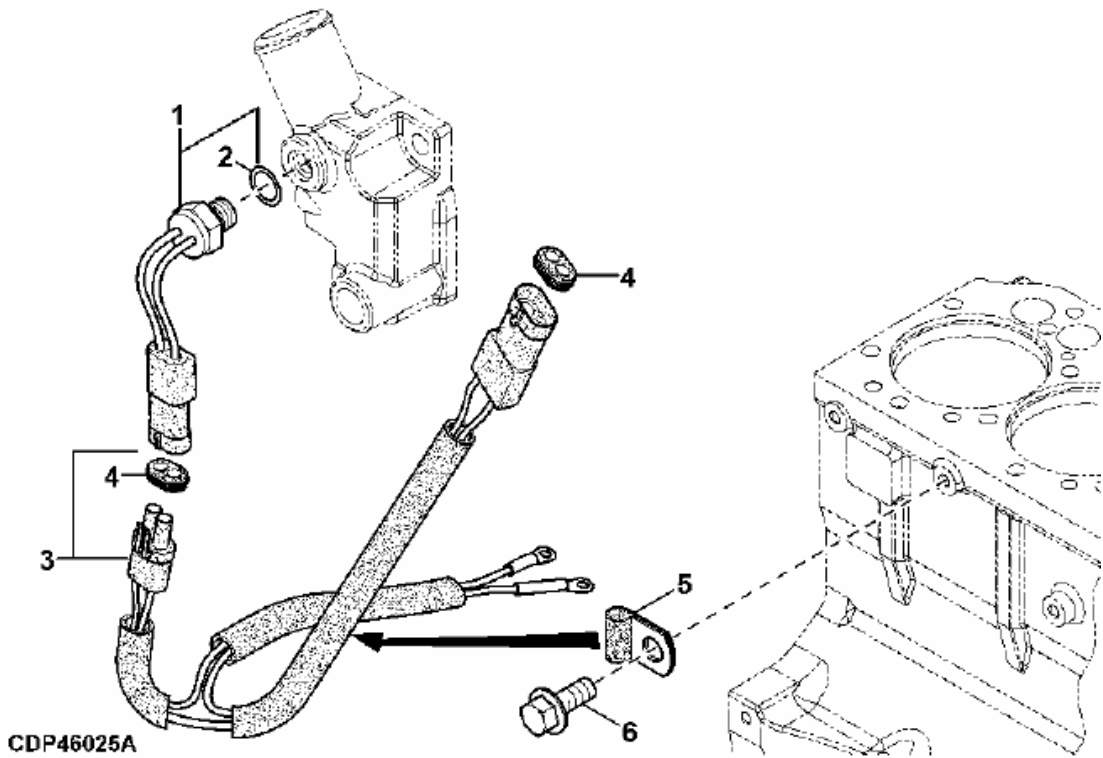
Month/Year

02 / 2006



T7074

CDP46025A -UN-05SEP05



CDP46025A

NOTE

CD3029TF270



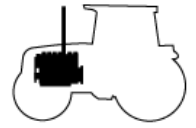
# FIG 142

# TURBOCHARGER

P1

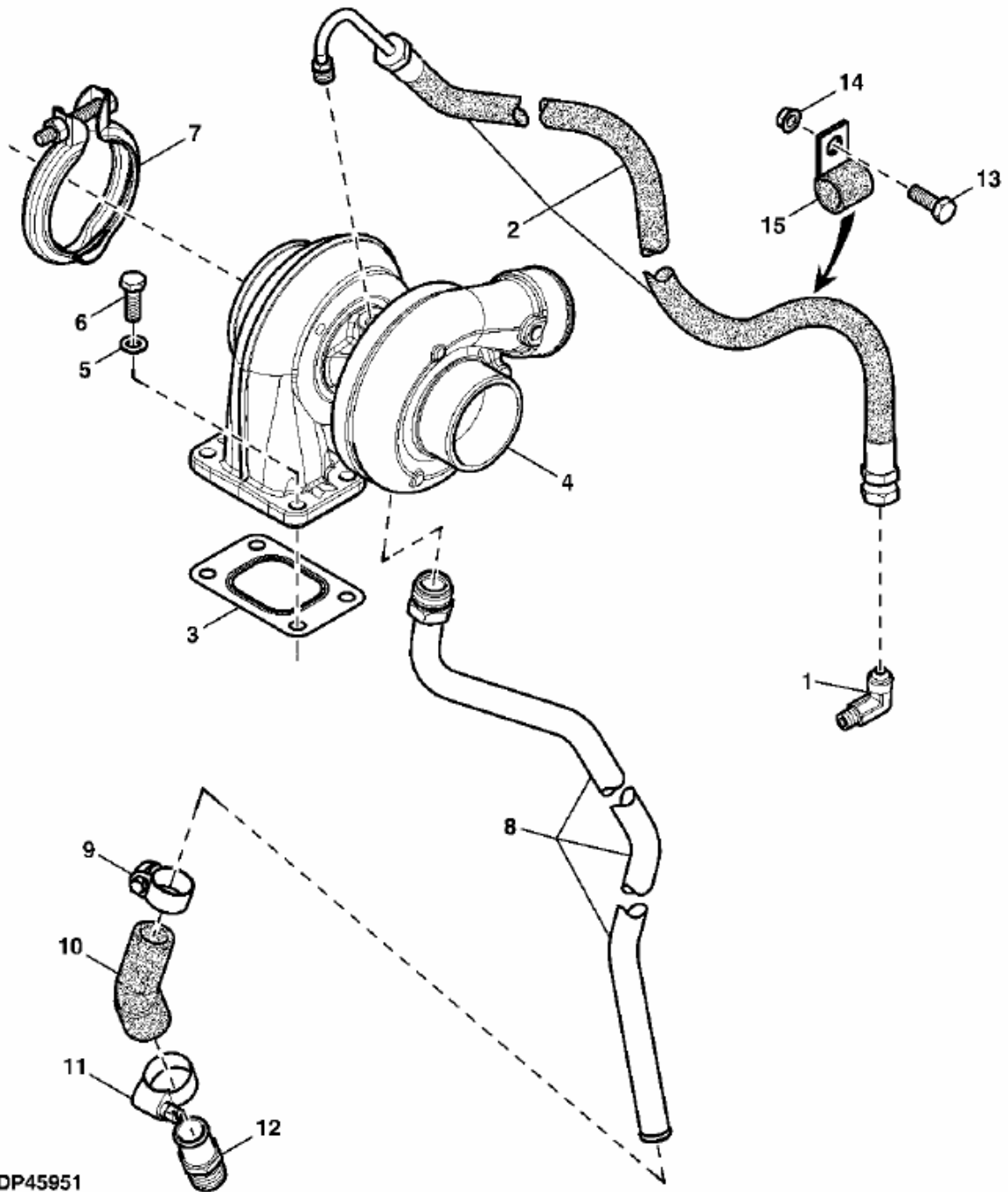
Month/Year

02 / 2006



T7074

CDP45951A -UN-14OCT05



CDP45951

NOTE

CD3029TF270



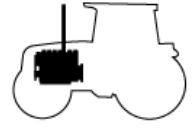
# FIG 143

## ALTERNATOR ADJUSTING STRAP&BRACKETS

P1

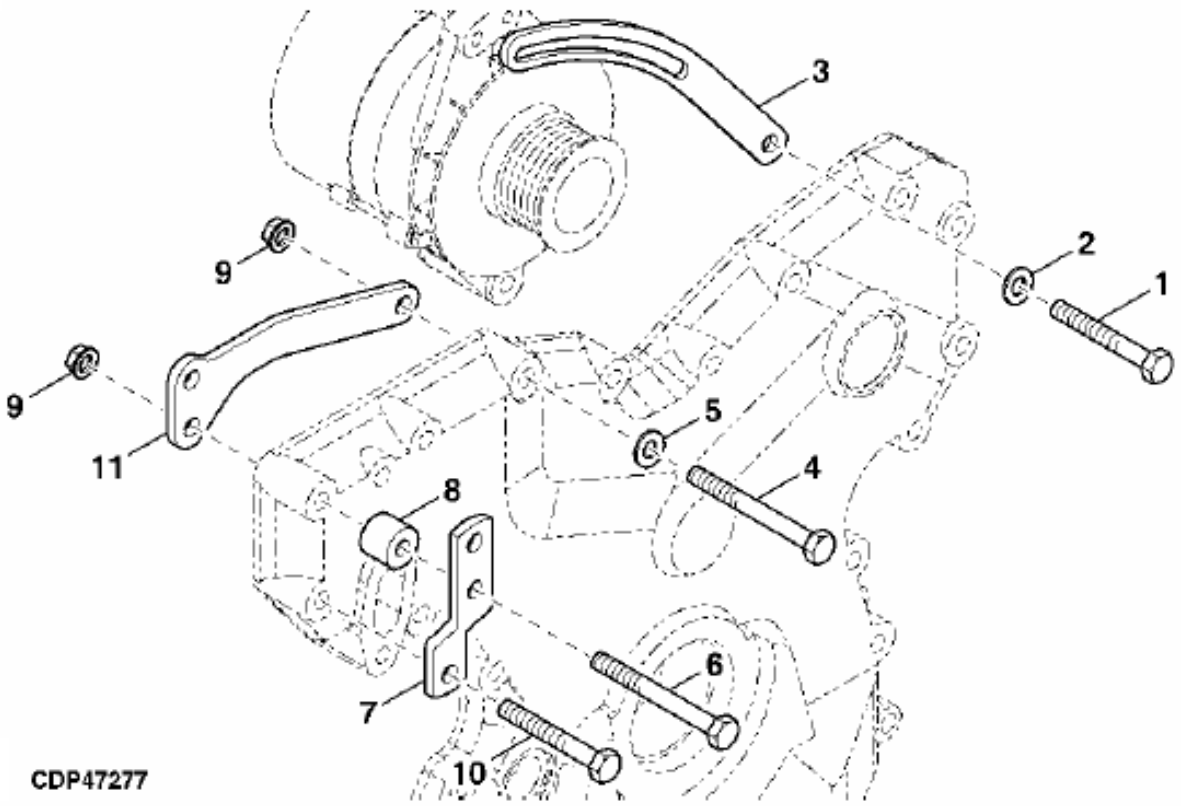
Month/Year

02 / 2006



T7074

CDP47277 -UN-17OCT05



CDP47277

NOTE

CD3029TF270





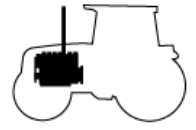
FIG 144

START MOTOR

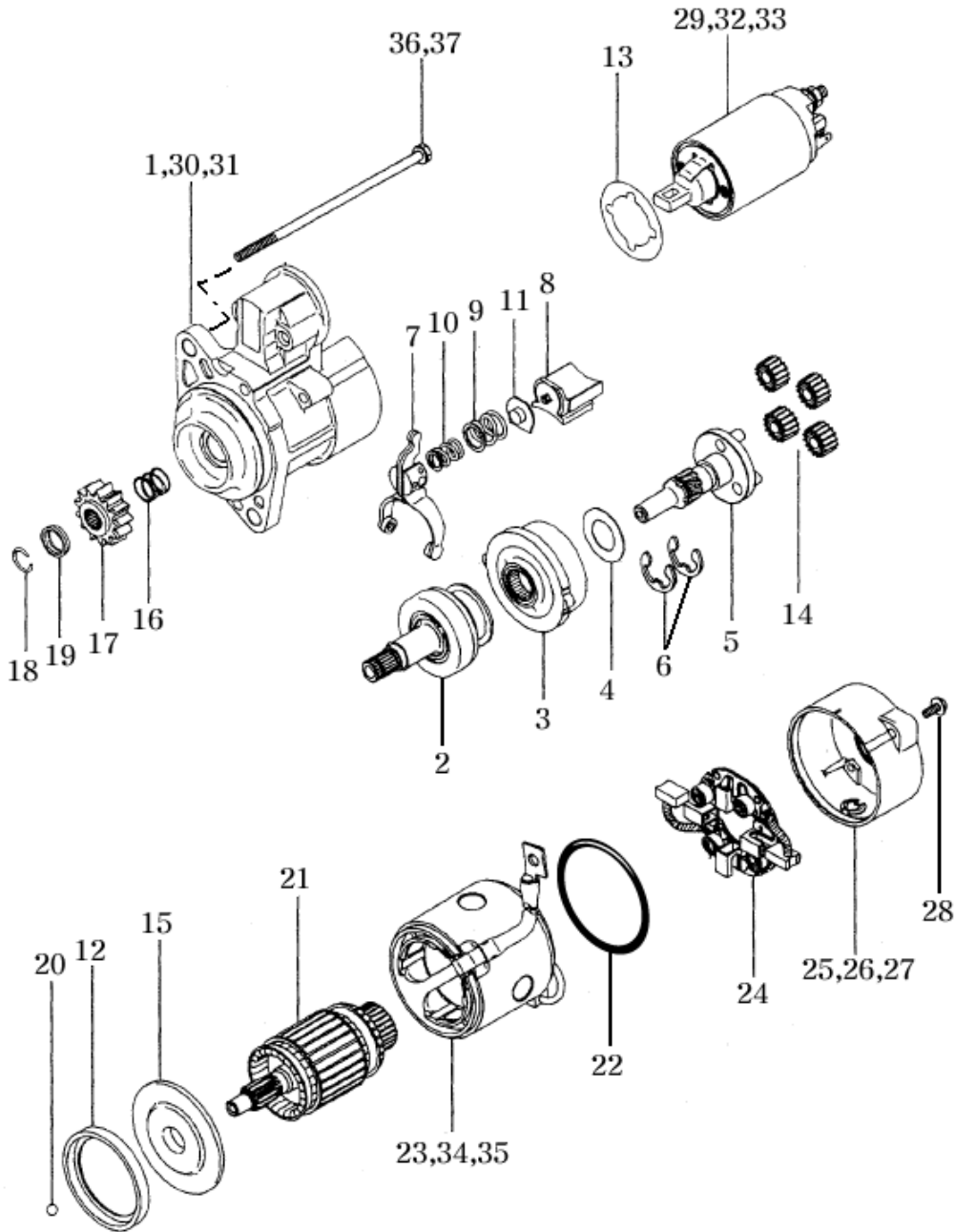
P1

Month/Year

02 / 2006



T7074



NOTE

CD3029TF270



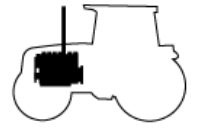
FIG 145

ALTERNATOR

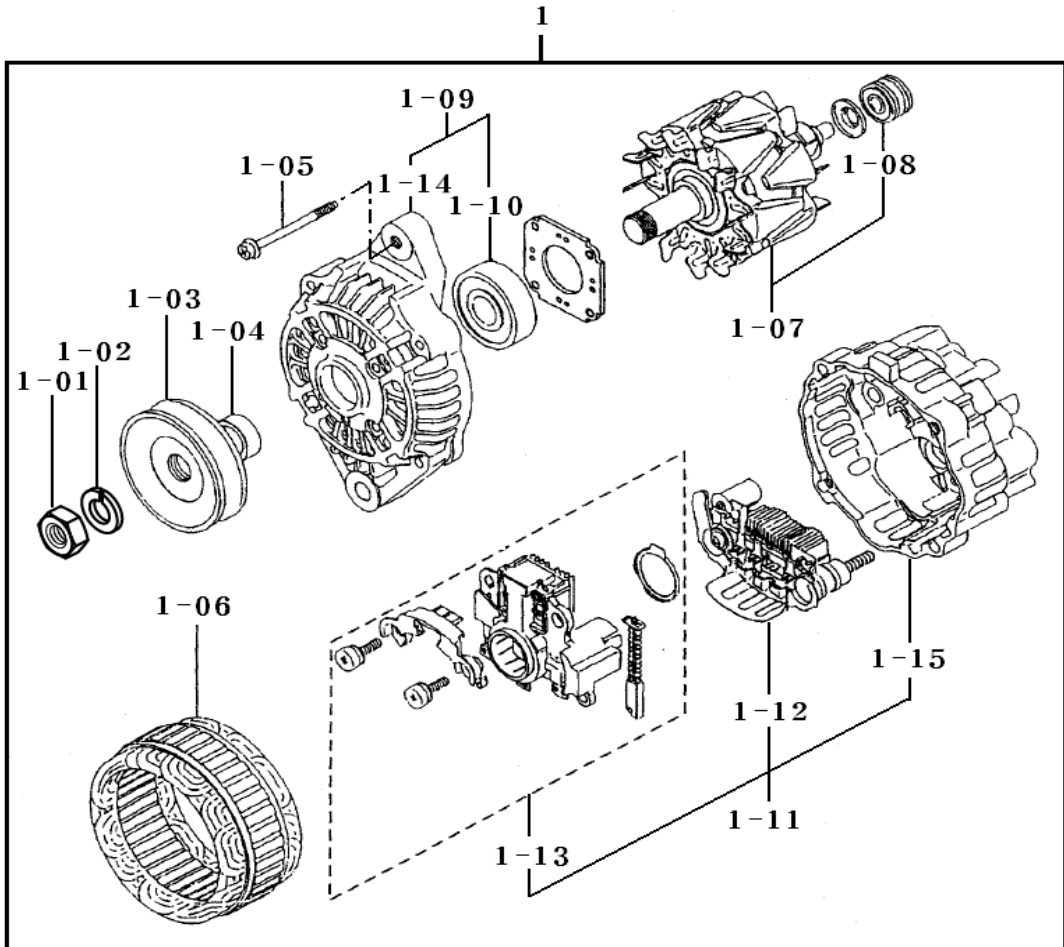
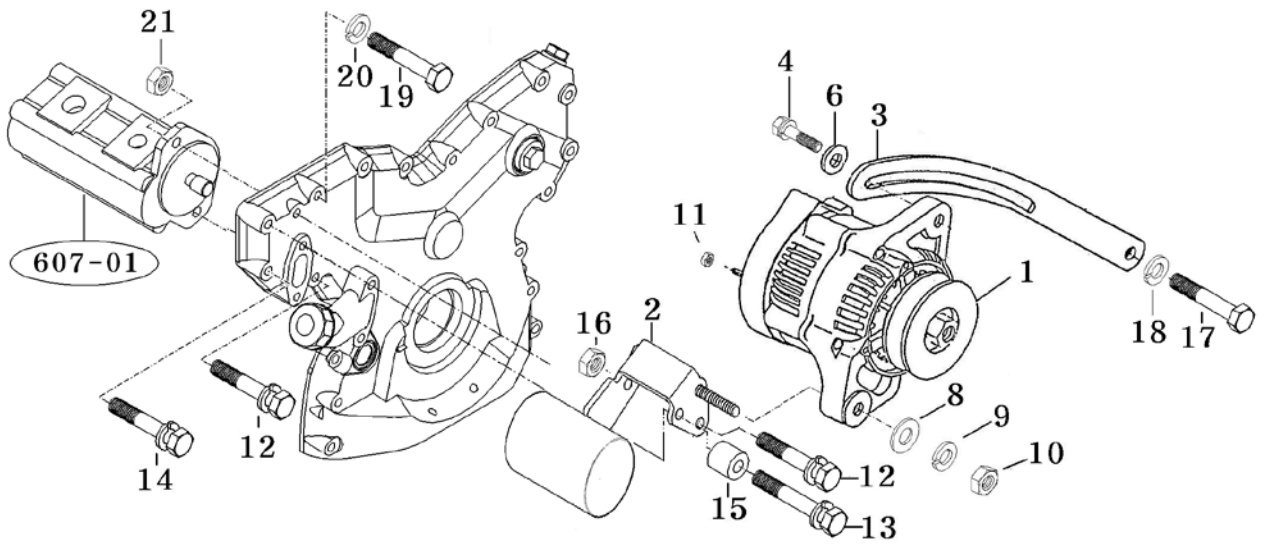
P1

Month/Year

02 / 2006



T7074



NOTE CD3029TF270



FIG 201

AIR CLEANER

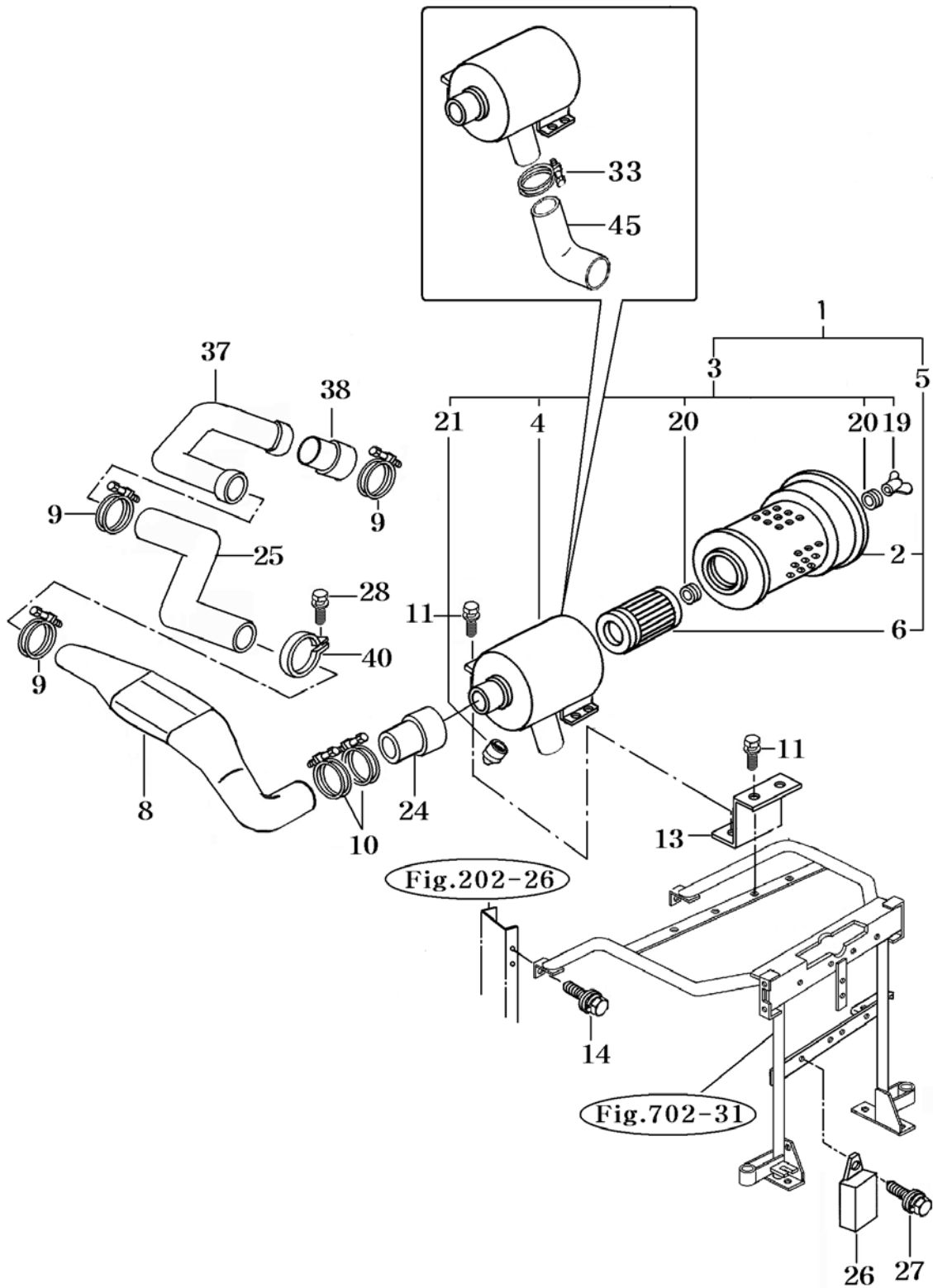
P1

Month/Year

02 / 2006



T7074



NOTE



# FIG 202

# RADIATOR

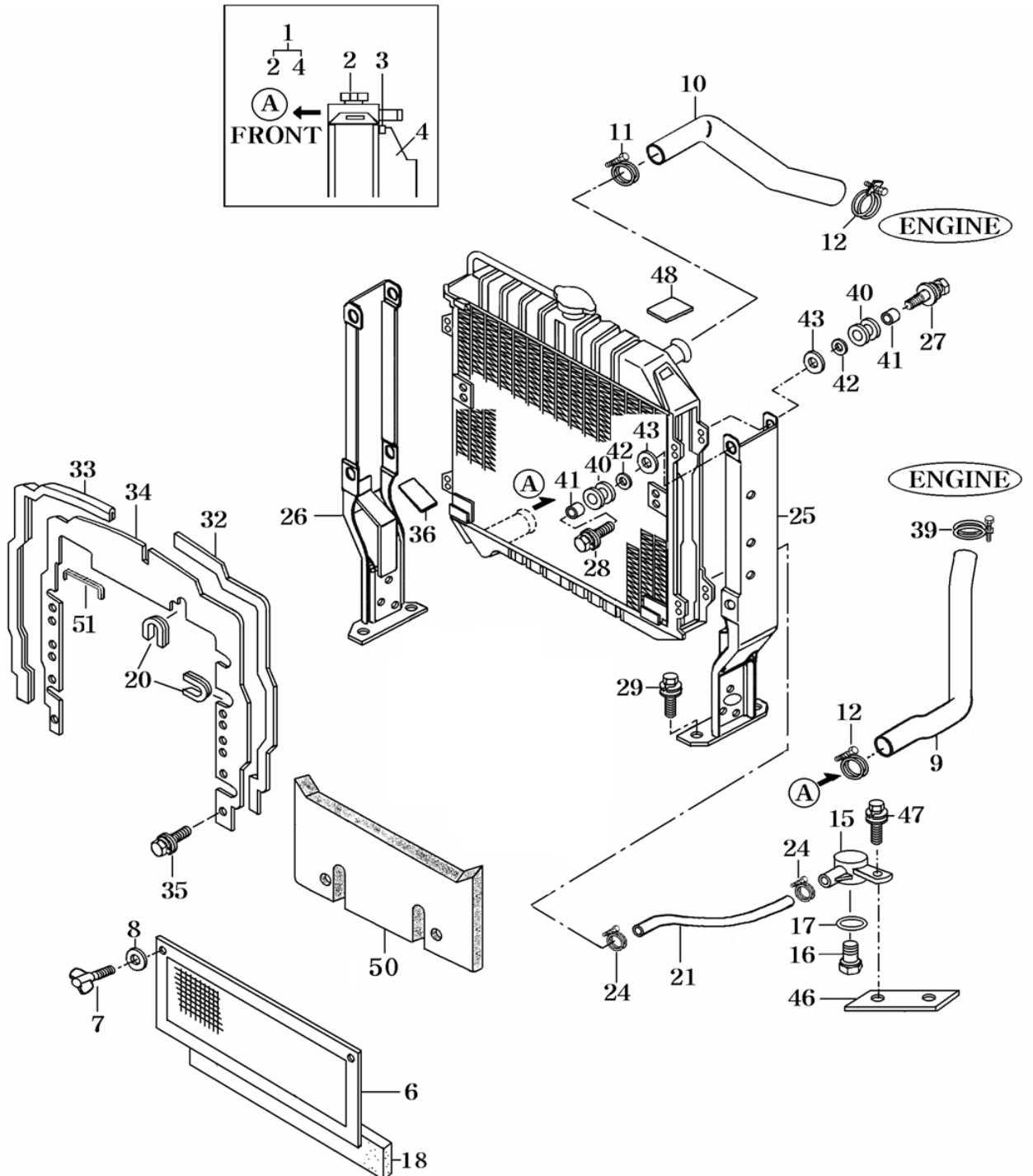
P1

Month/Year

02 / 2006



T7074



NOTE





FIG 203

MUFFLER & EXHAUST PIPE

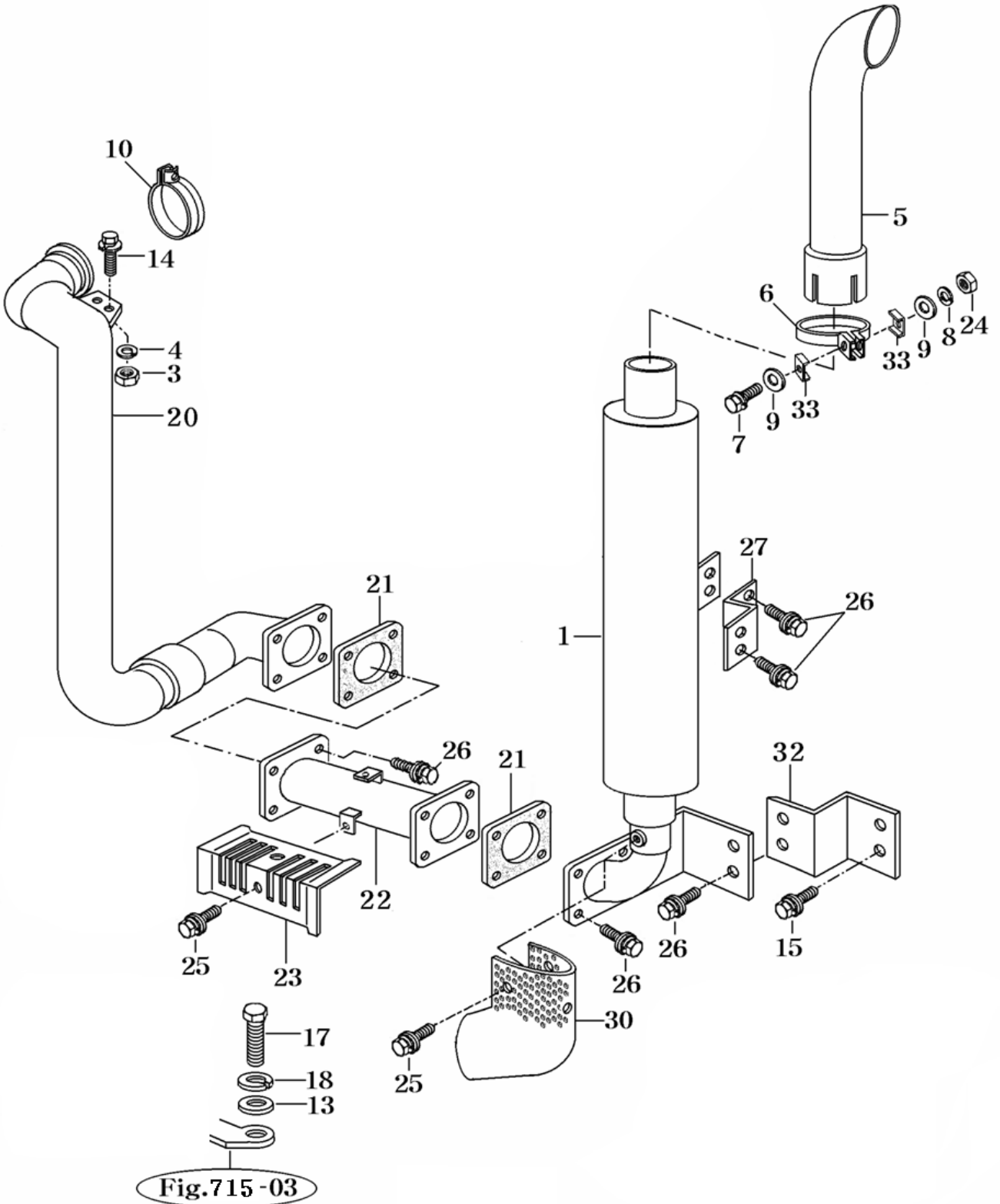
P1

Month/Year

02 / 2006



T7074

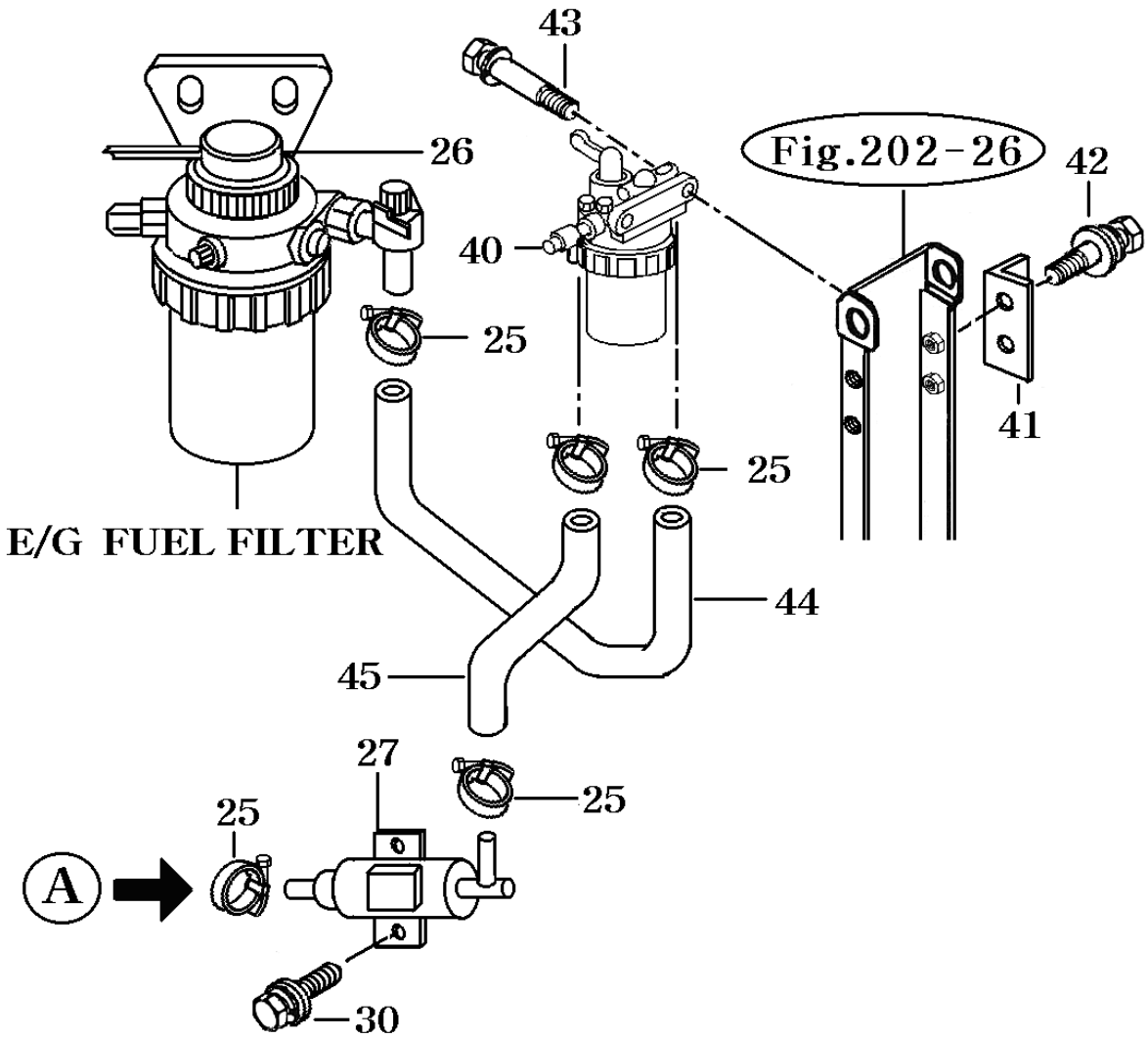


NOTE





T7074



NOTE



FIG 205

FUEL TANK

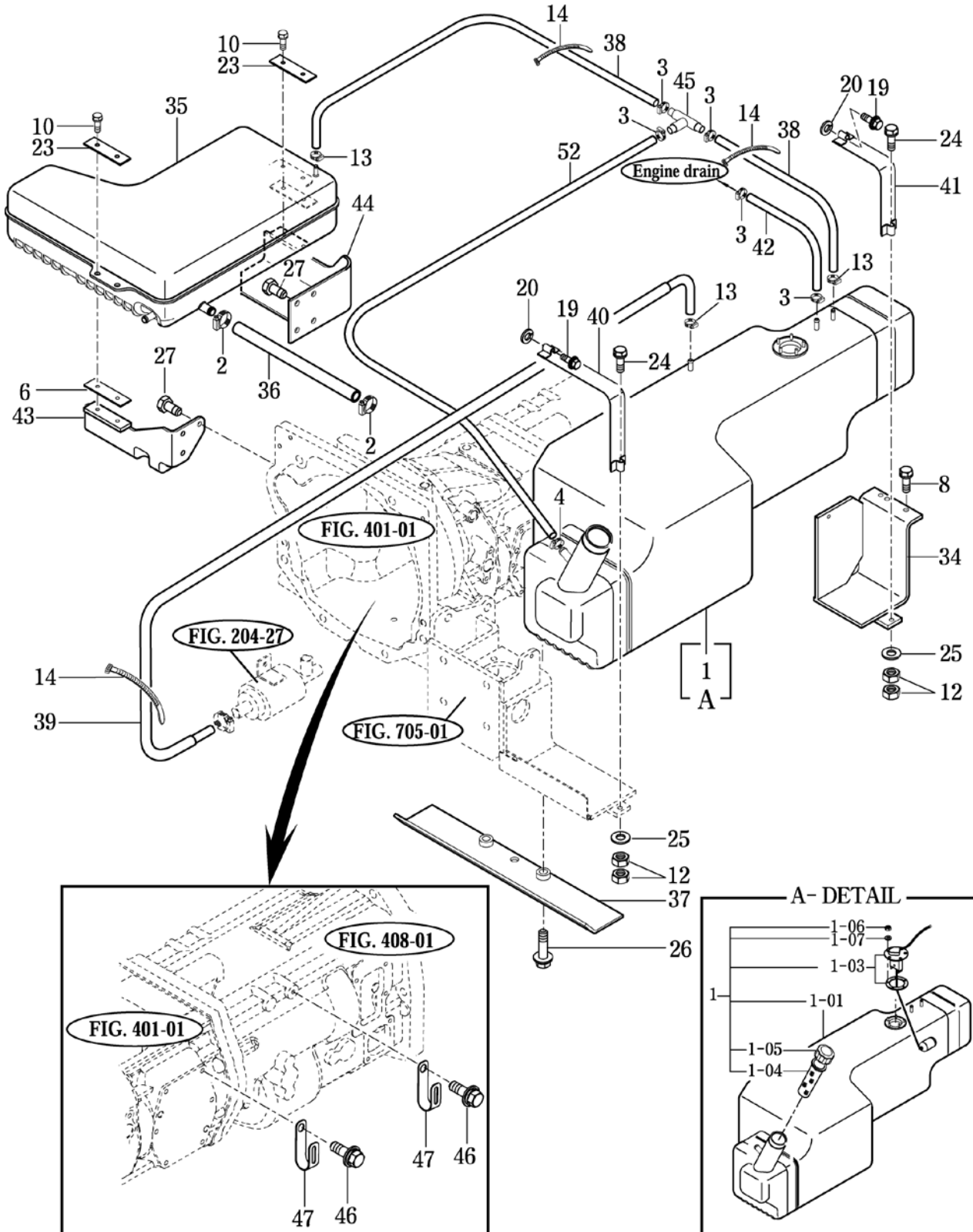
Month/Year

P1

02 / 2006



T7074



T7074-E-205

NOTE



FIG 205

FUEL TANK

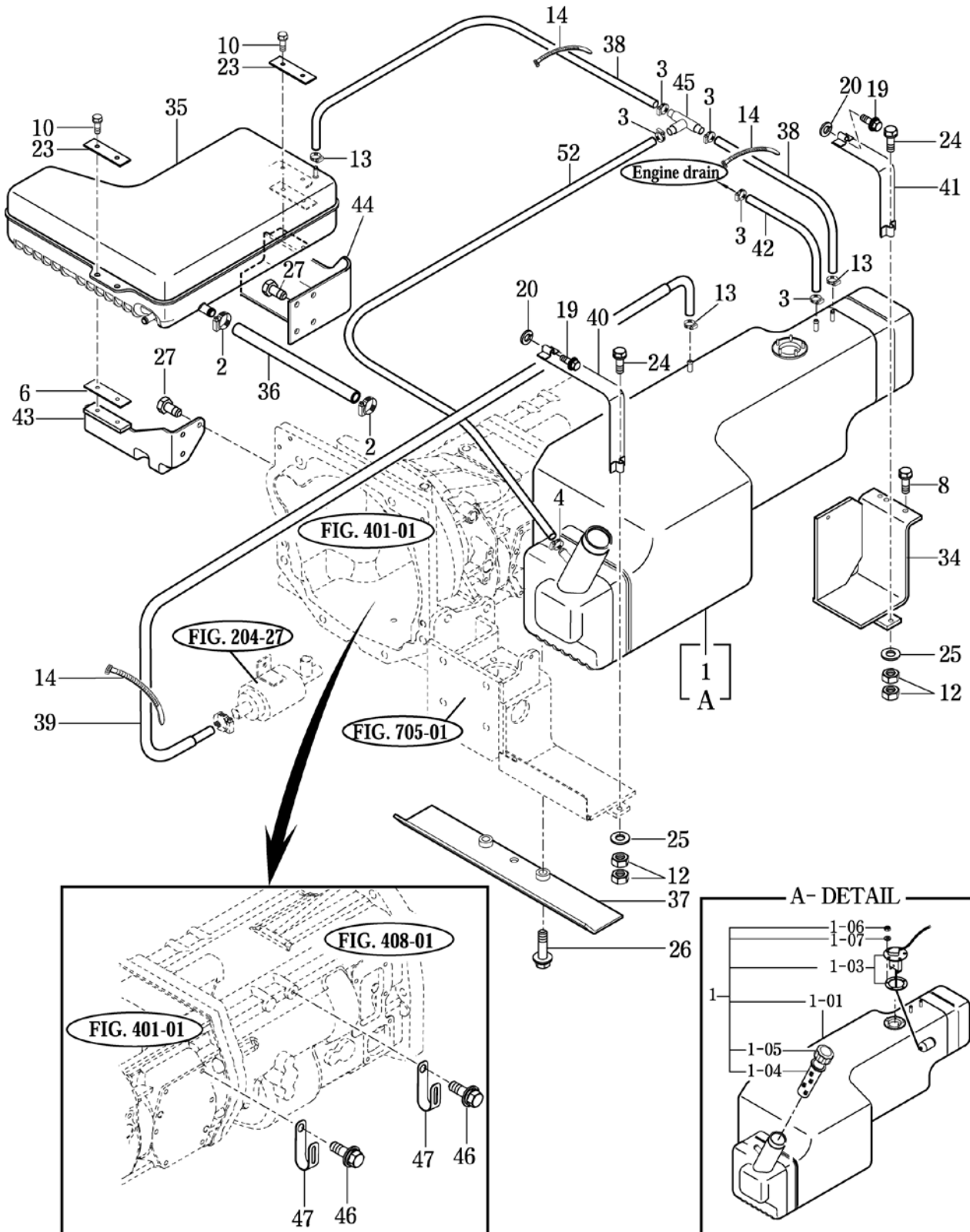
Month/Year

P2

02 / 2006



T7074



T7074-E-205

NOTE





# FIG 206

# ACCELERATOR

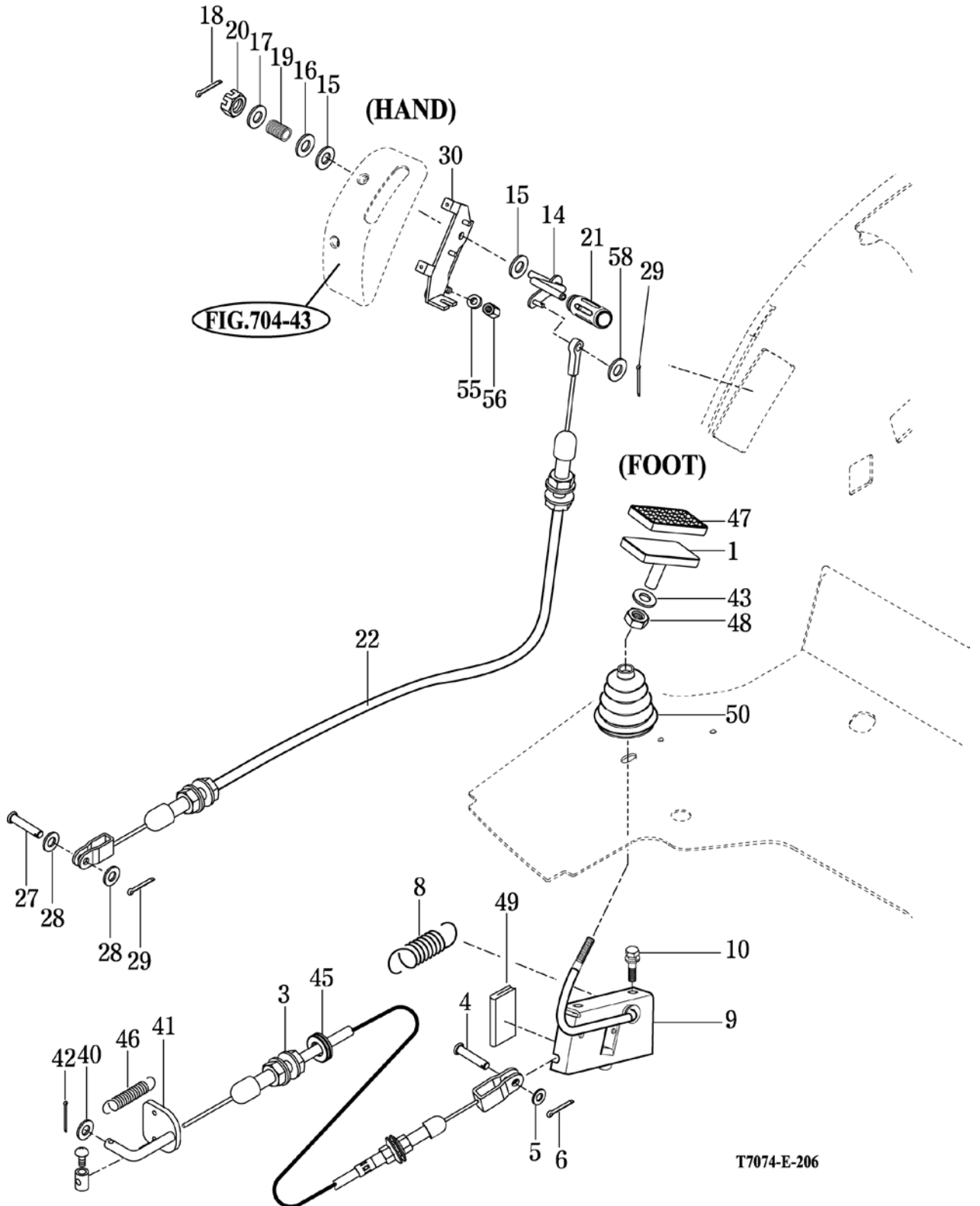
P1

Month/Year

02 / 2006



T7074



T7074-E-206

NOTE



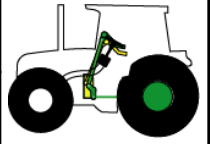
**FIG 301**

**CLUTCH**

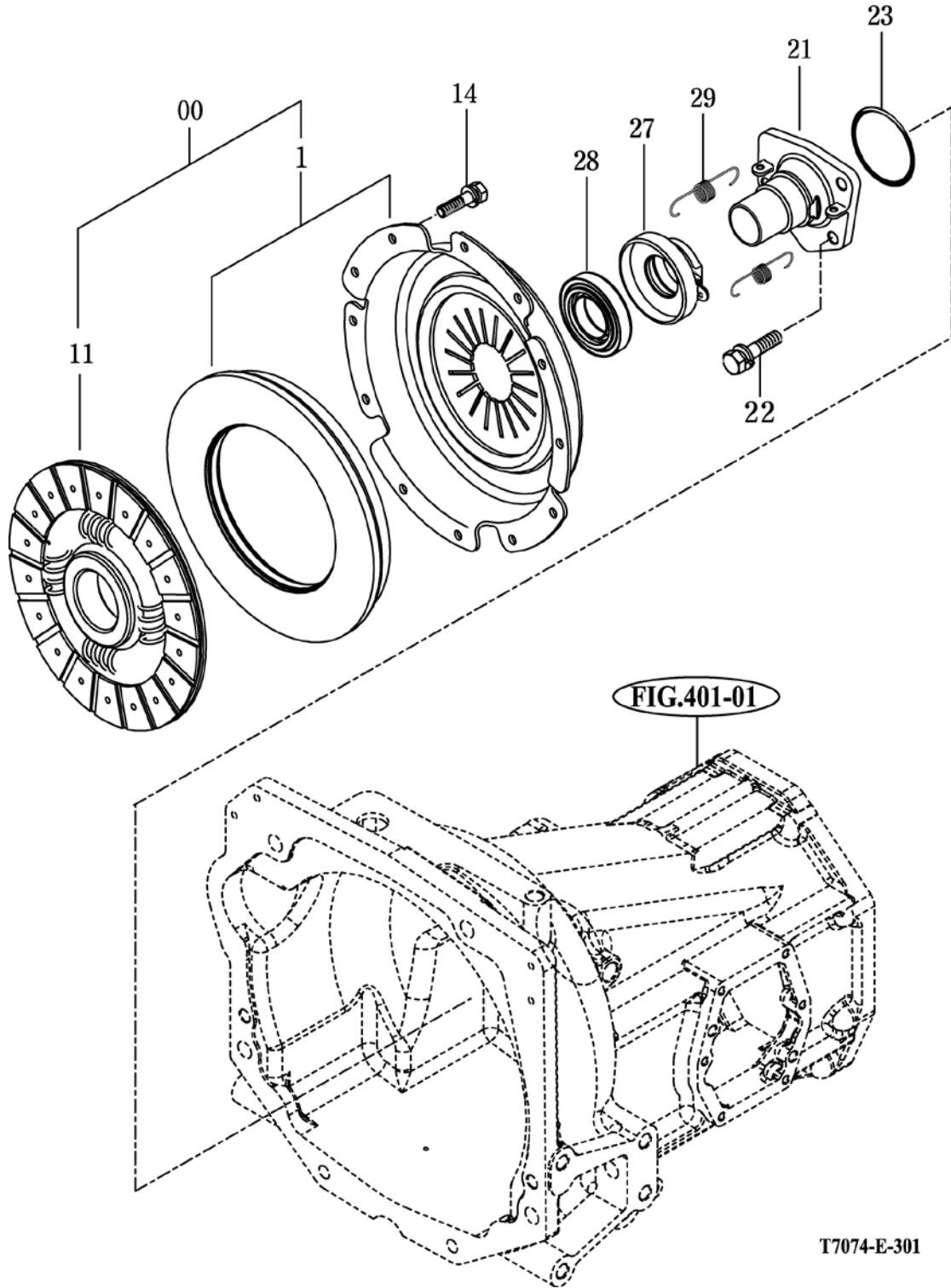
P1

Month/Year

02 / 2006



T7074



**FIG.401-01**

T7074-E-301

NOTE



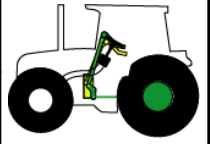
FIG 302

CLUTCH PEDAL

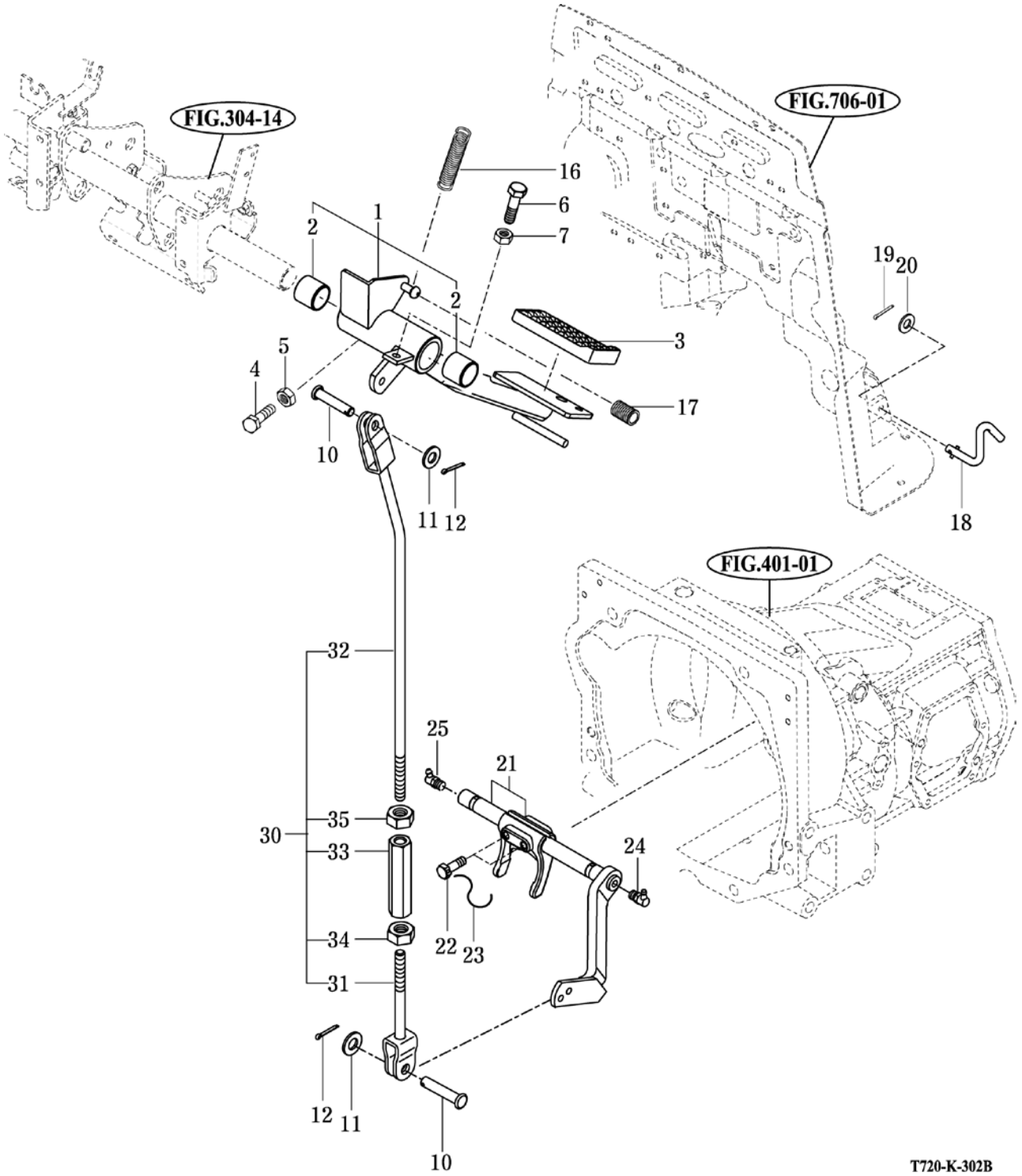
P1

Month/Year

02 / 2006



T7074



T720-K-302B

NOTE



FIG 303

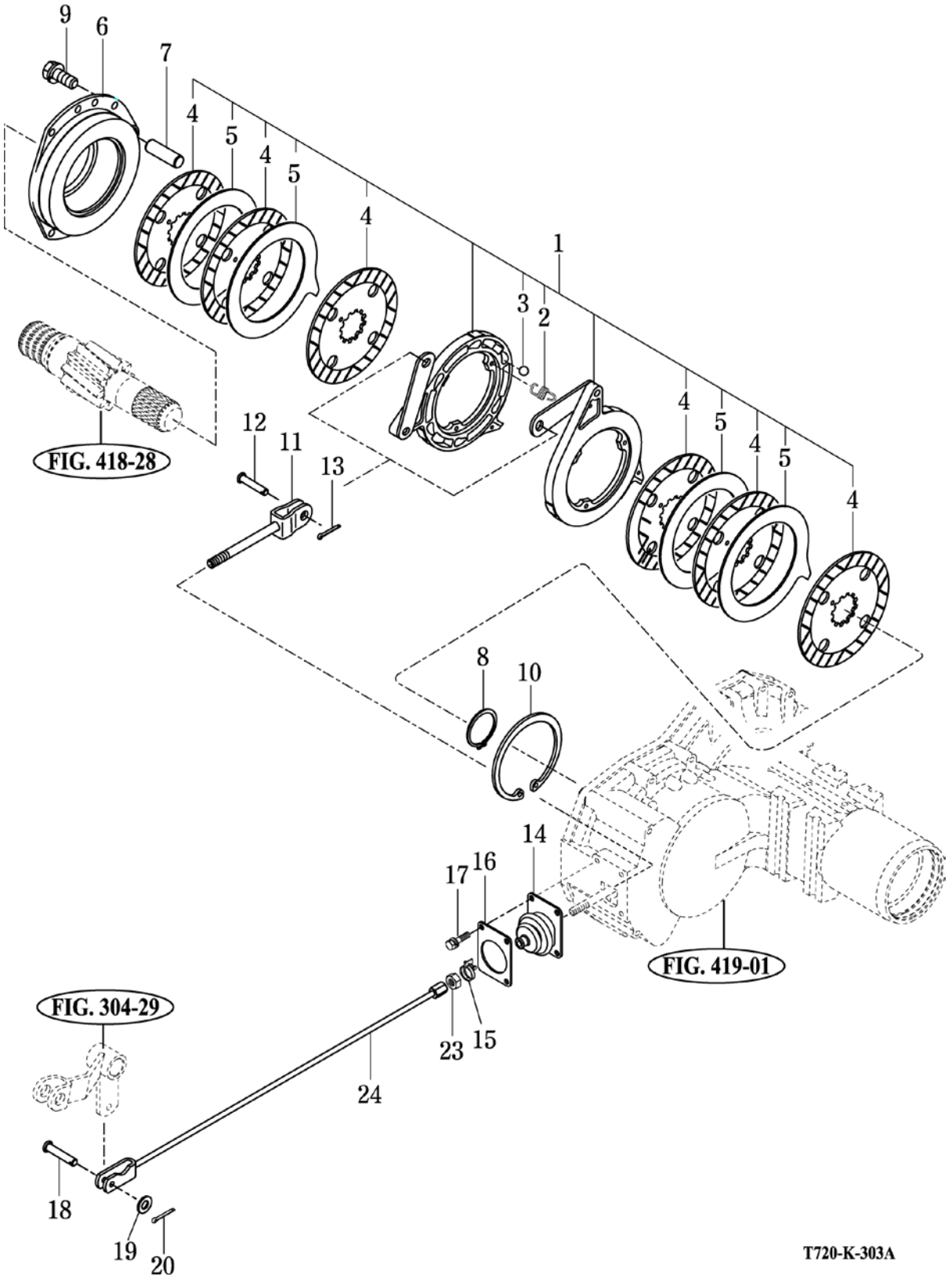
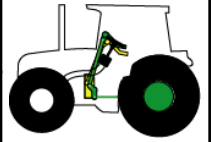
T7074

BRAKE

P1

Month/Year

02 / 2006



T720-K-303A

NOTE





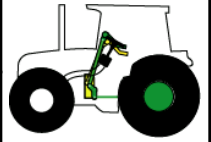
# FIG 304

# BRAKE PEDAL & LINKAGE

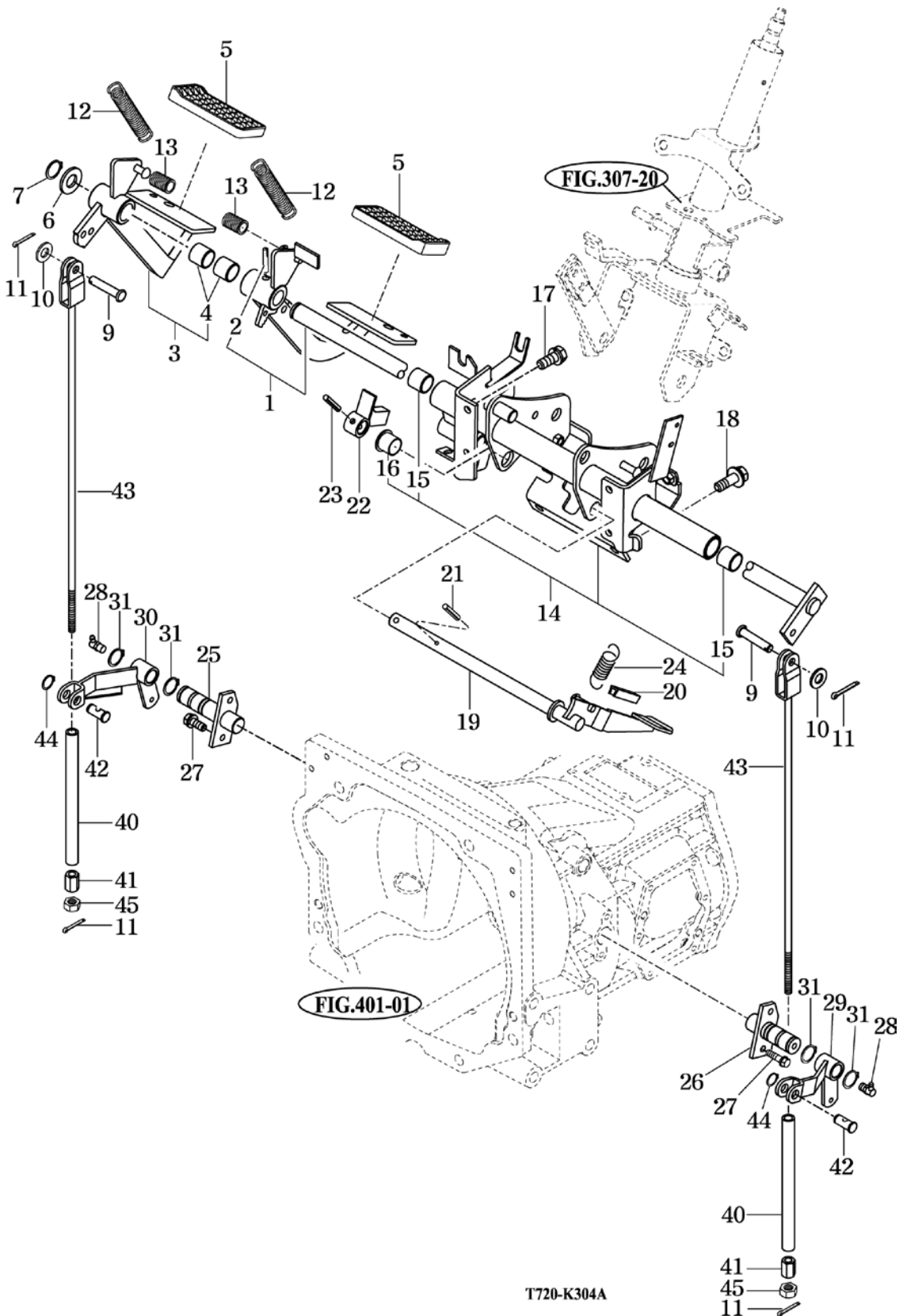
P1

Month/Year

02 / 2006



T7074



T720-K304A

NOTE



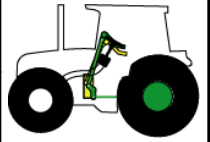
FIG 307

POWER STEERING WHEEL

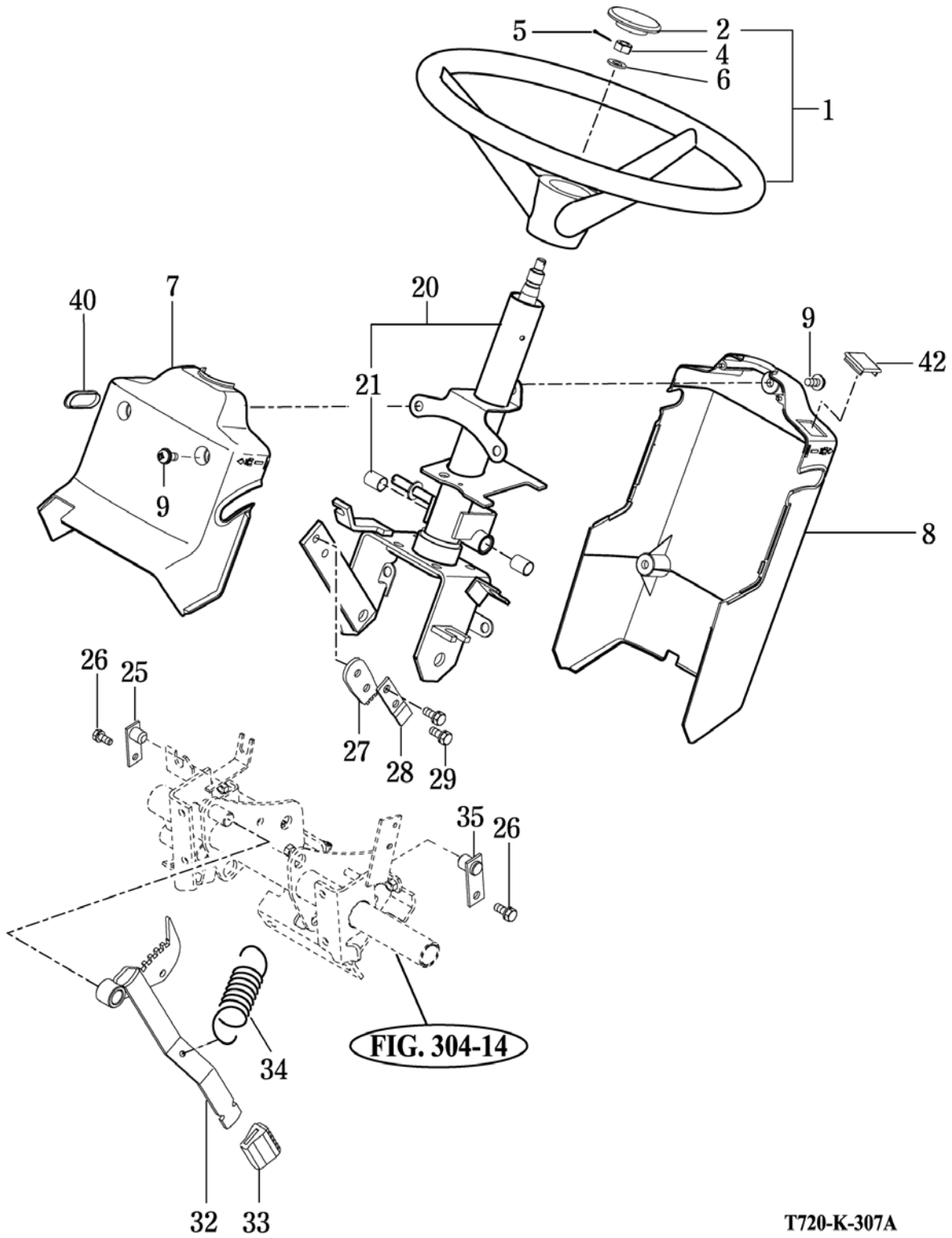
P1

Month/Year

02 / 2006



T7074



T720-K-307A

NOTE



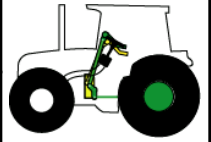
FIG 308

POWER STEERING VALVE

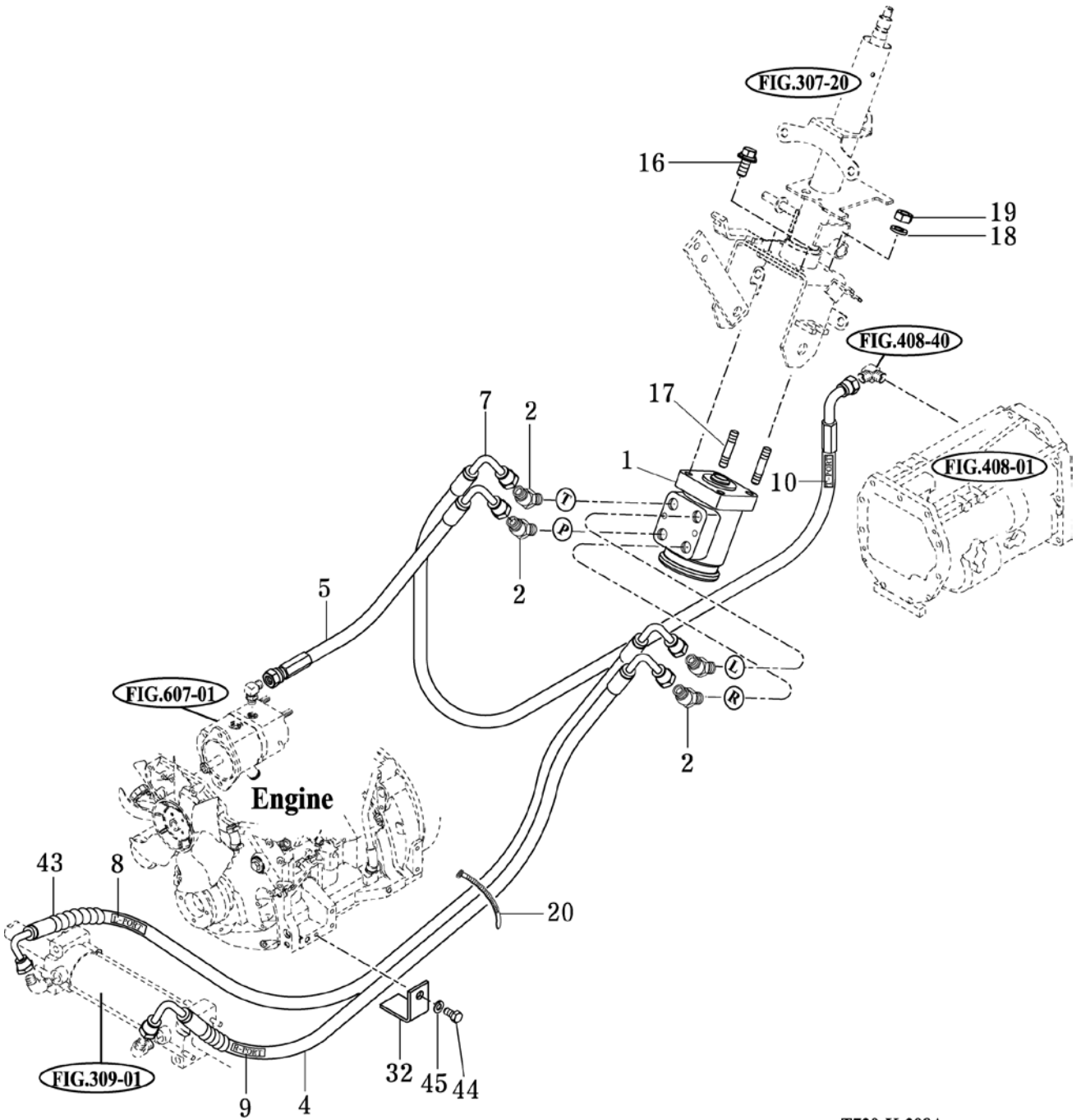
P1

Month/Year

02 / 2006



T7074



T720-K-308A

NOTE

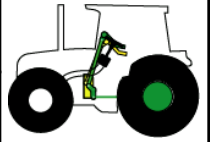
# FIG 309

# POWER STEERING CYLINDER

P1

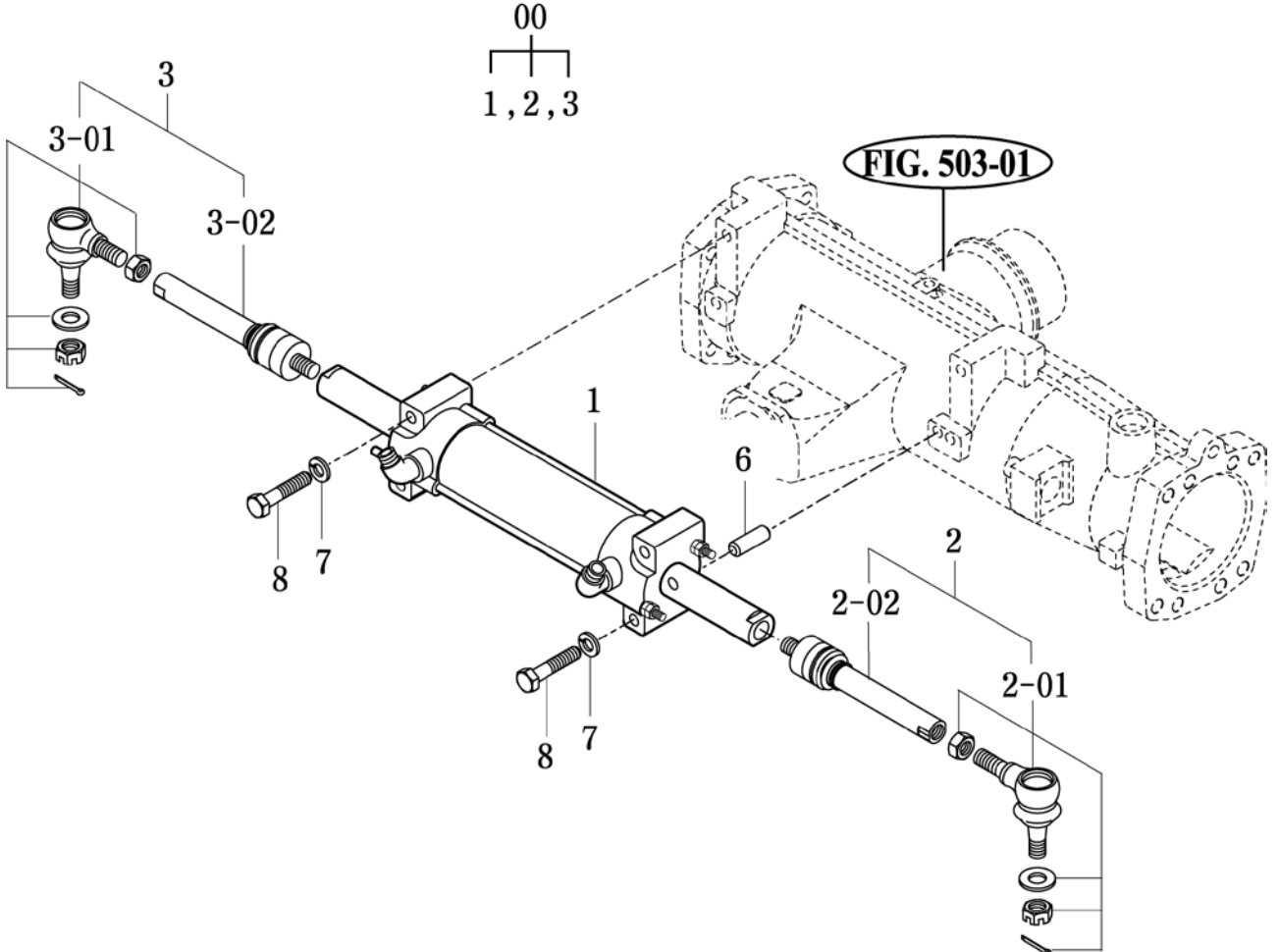
Month/Year

02 / 2006



T7074

00  
├──  
└──  
1, 2, 3



T720-K-309A

NOTE





FIG 310

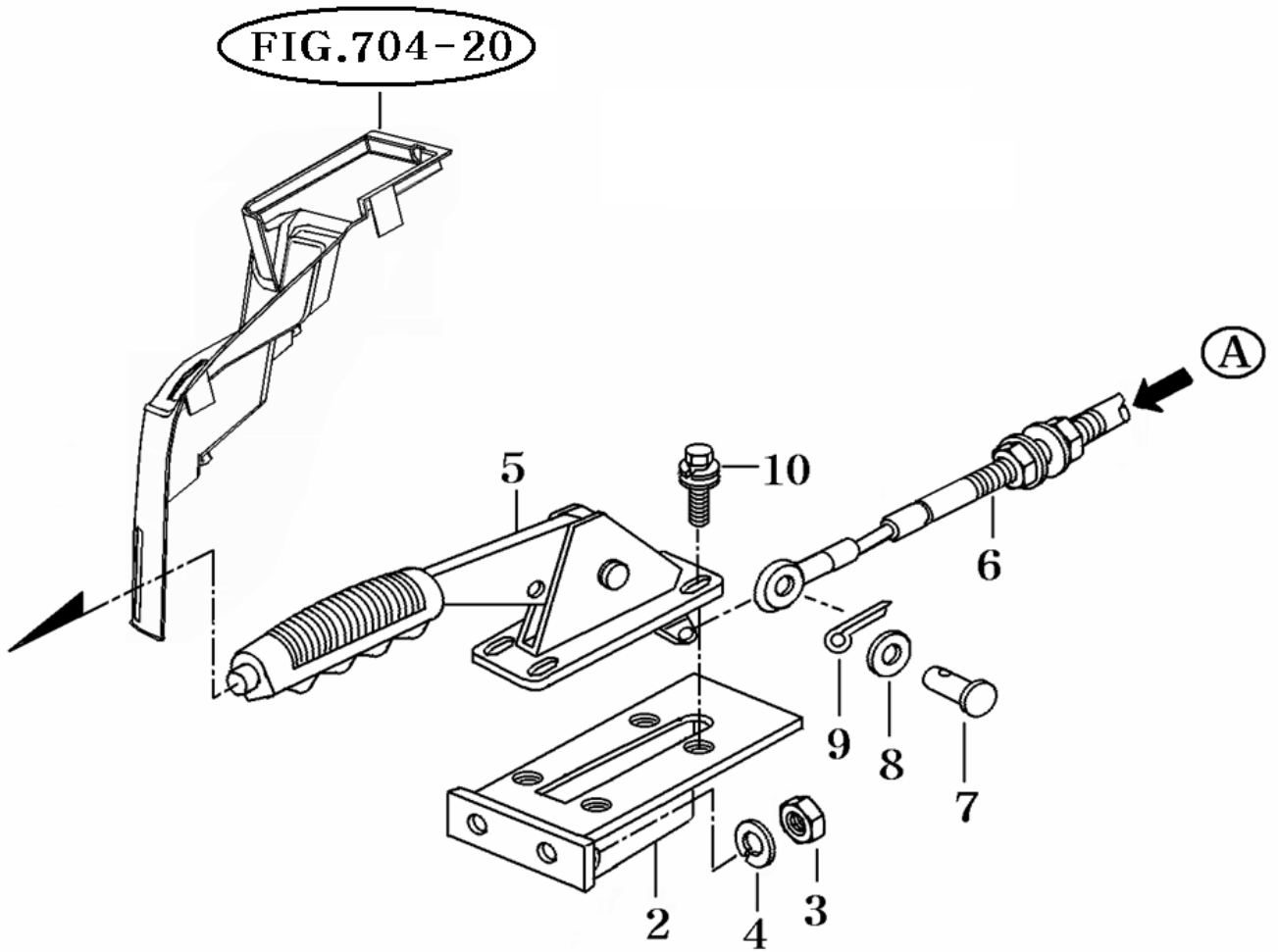
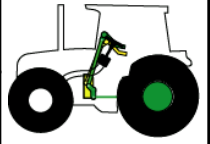
T7074

HAND BRAKE

P1

Month/Year

02 / 2006



NOTE



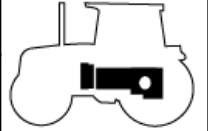
**FIG 401**

**TRANSMISSION FRONT CASE**

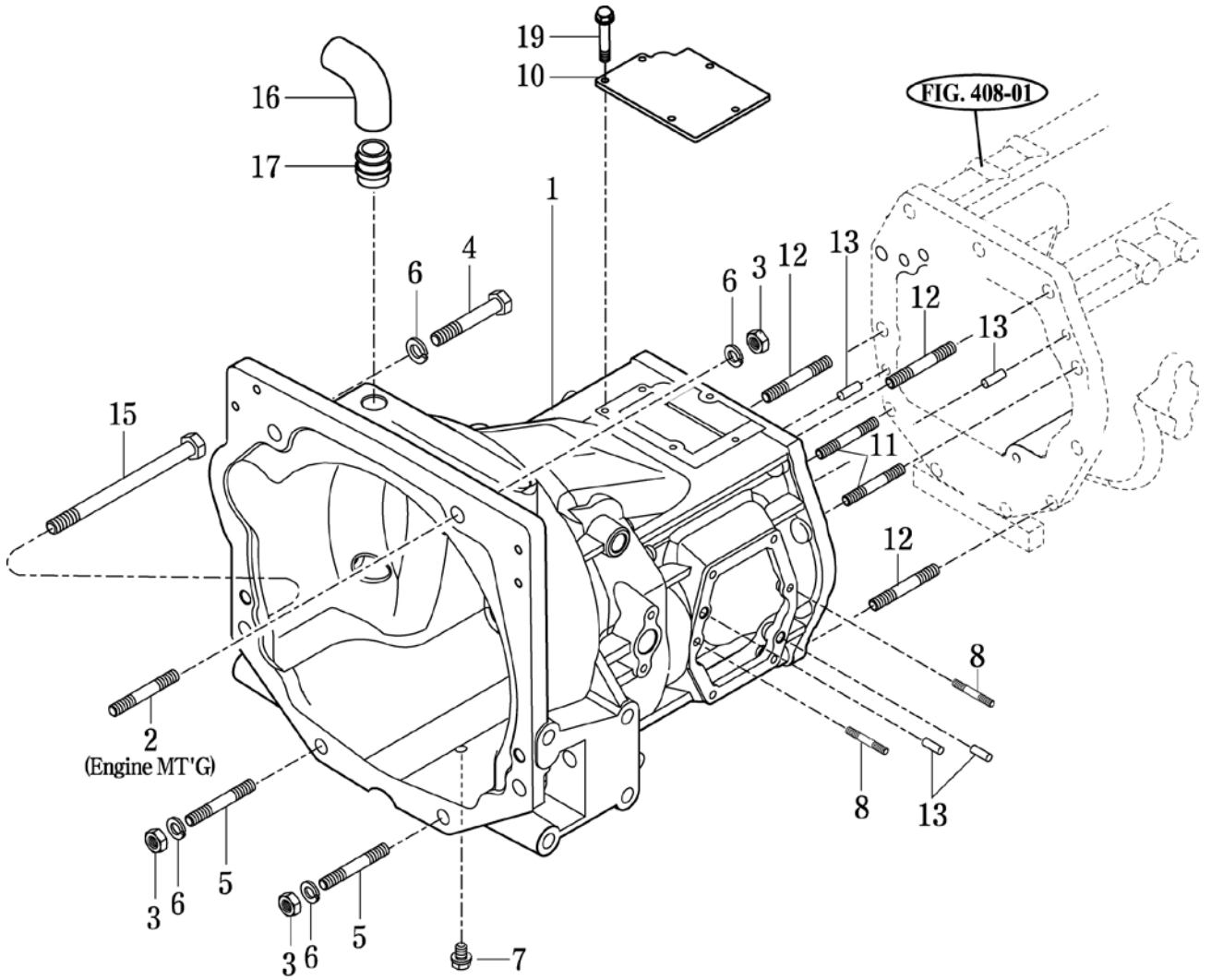
P1

Month/Year

02 / 2006



T7074



T720-K-401A

NOTE







# FIG 403

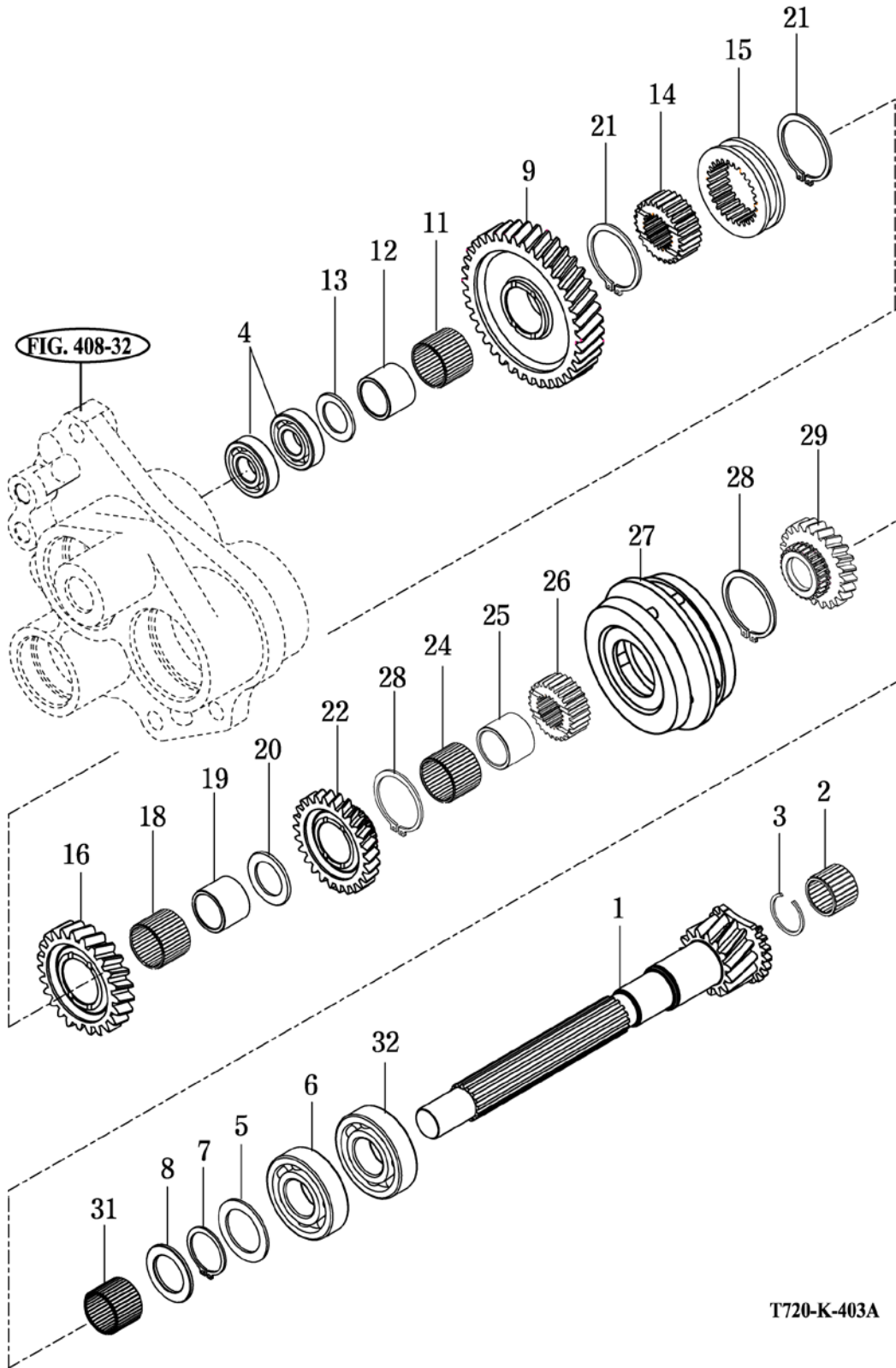
T7074

# MAIN CHANGE GEARS

P1

Month/Year

02 / 2006



NOTE





FIG 404

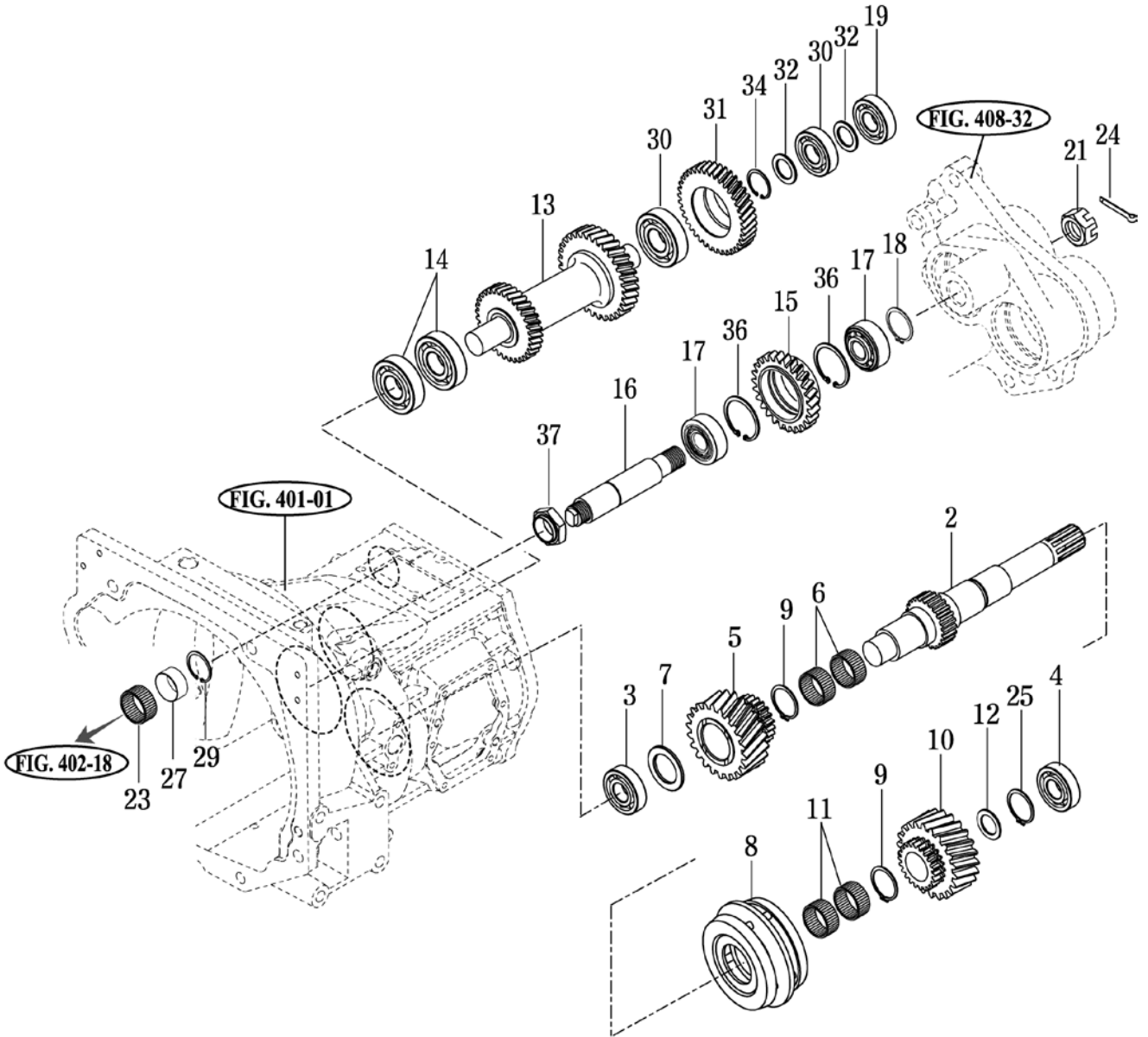
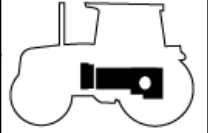
T7074

REVERSE GEARS

P1

Month/Year

02 / 2006



T720-K-404A

NOTE



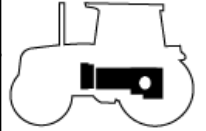
# FIG 405

# P.T.O DRIVE SHAFT

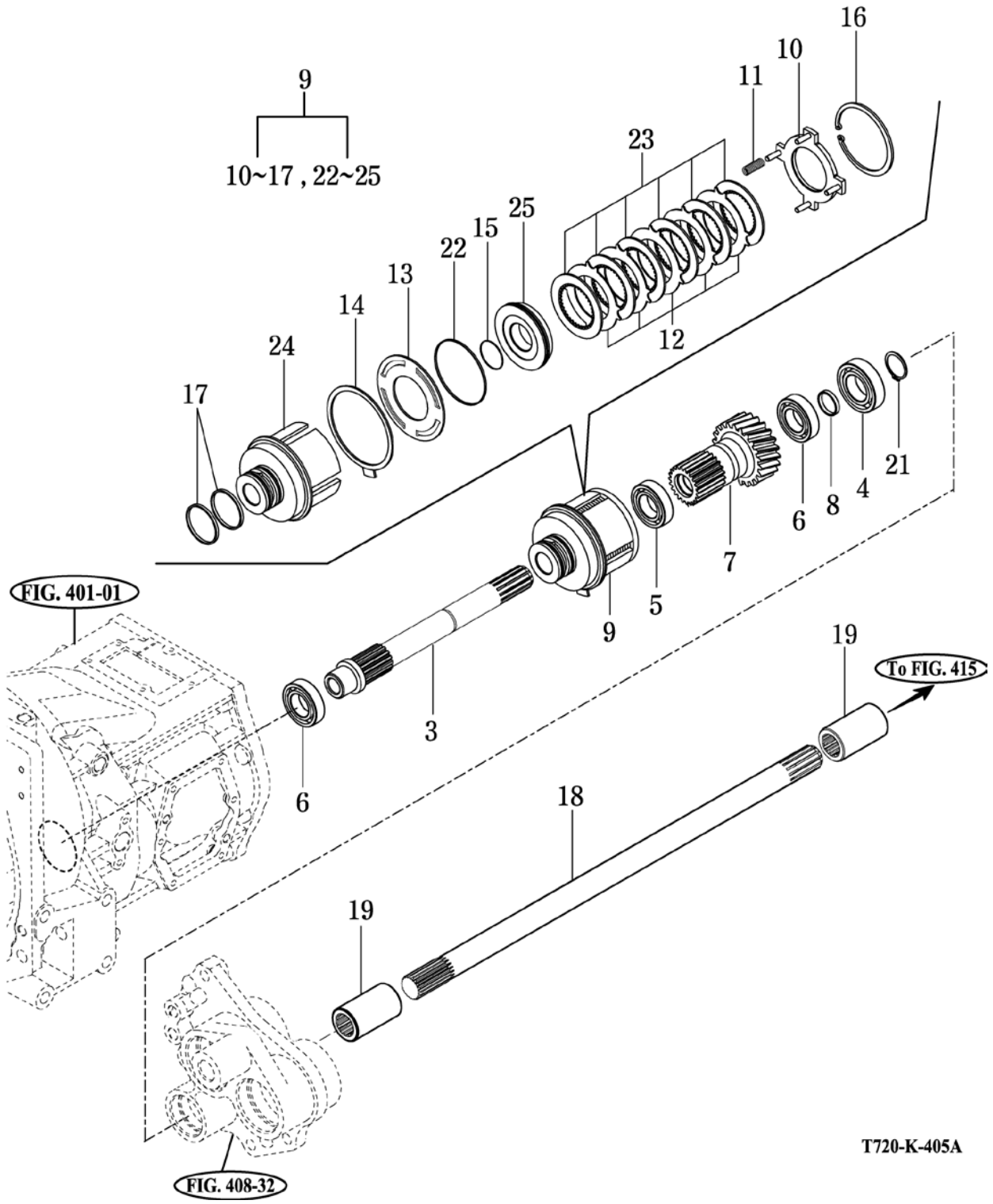
P1

Month/Year

02 / 2006



T7074



T720-K-405A

NOTE



# FIG 406

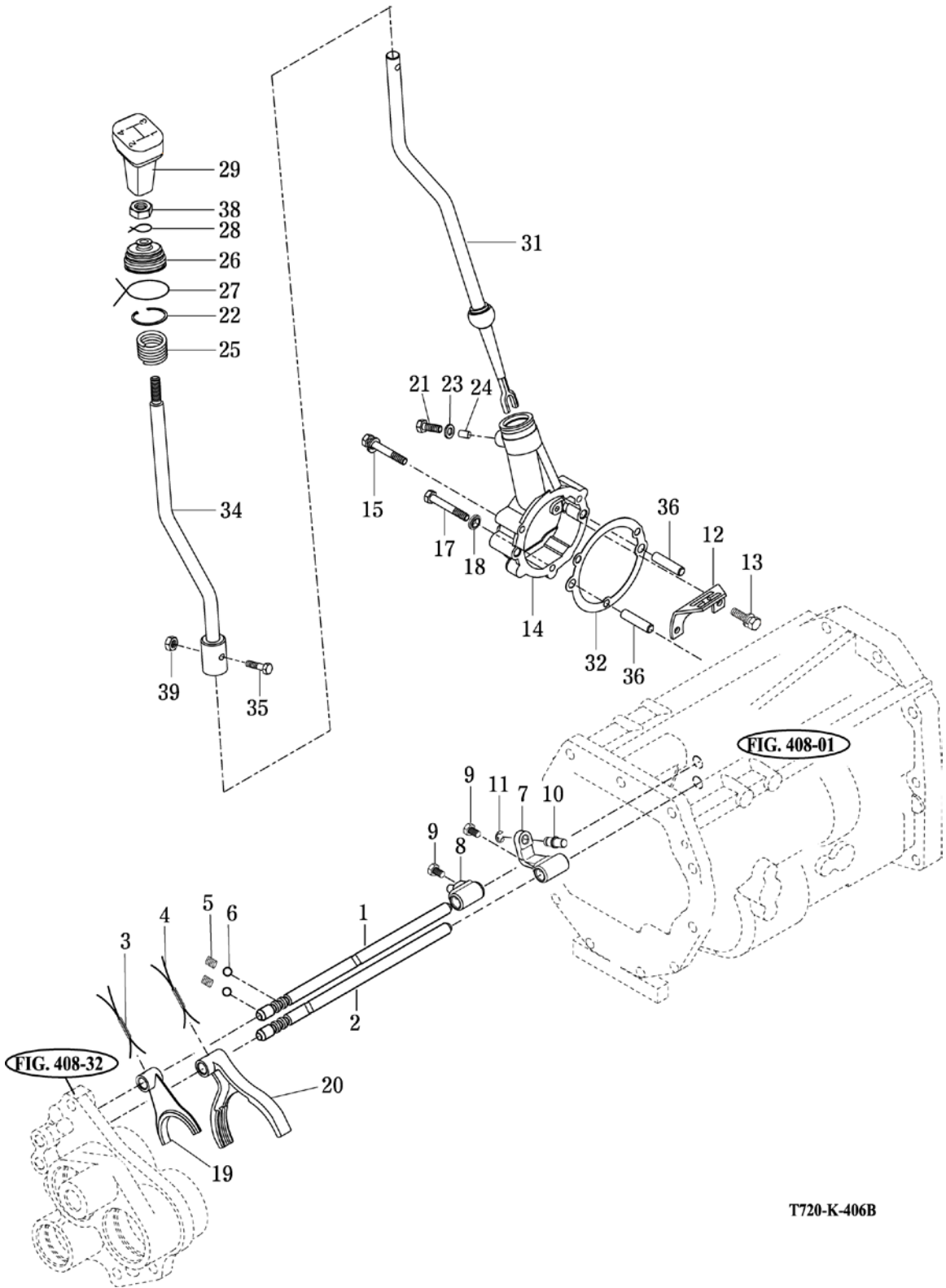
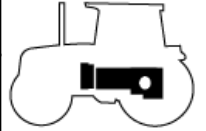
T7074

# MAIN CHANGE LEVER

P1

Month/Year

02 / 2006



T720-K-406B

NOTE



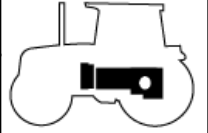
# FIG 407

# REVERSE CHANGE LEVER

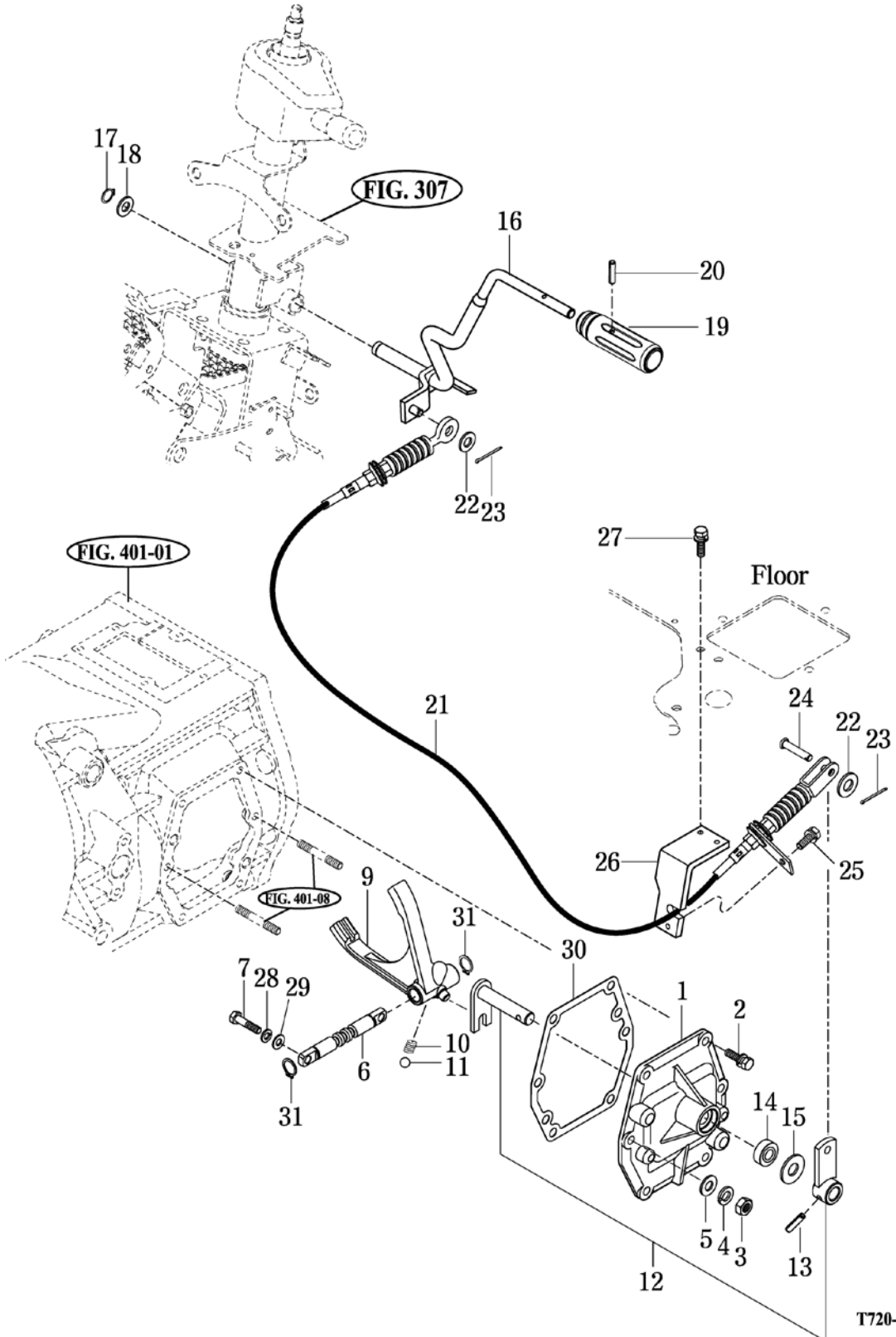
P1

Month/Year

02 / 2006



T7074



T720-K-406A

NOTE





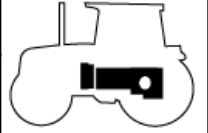
FIG 408

TRANSMISSION MID CASE

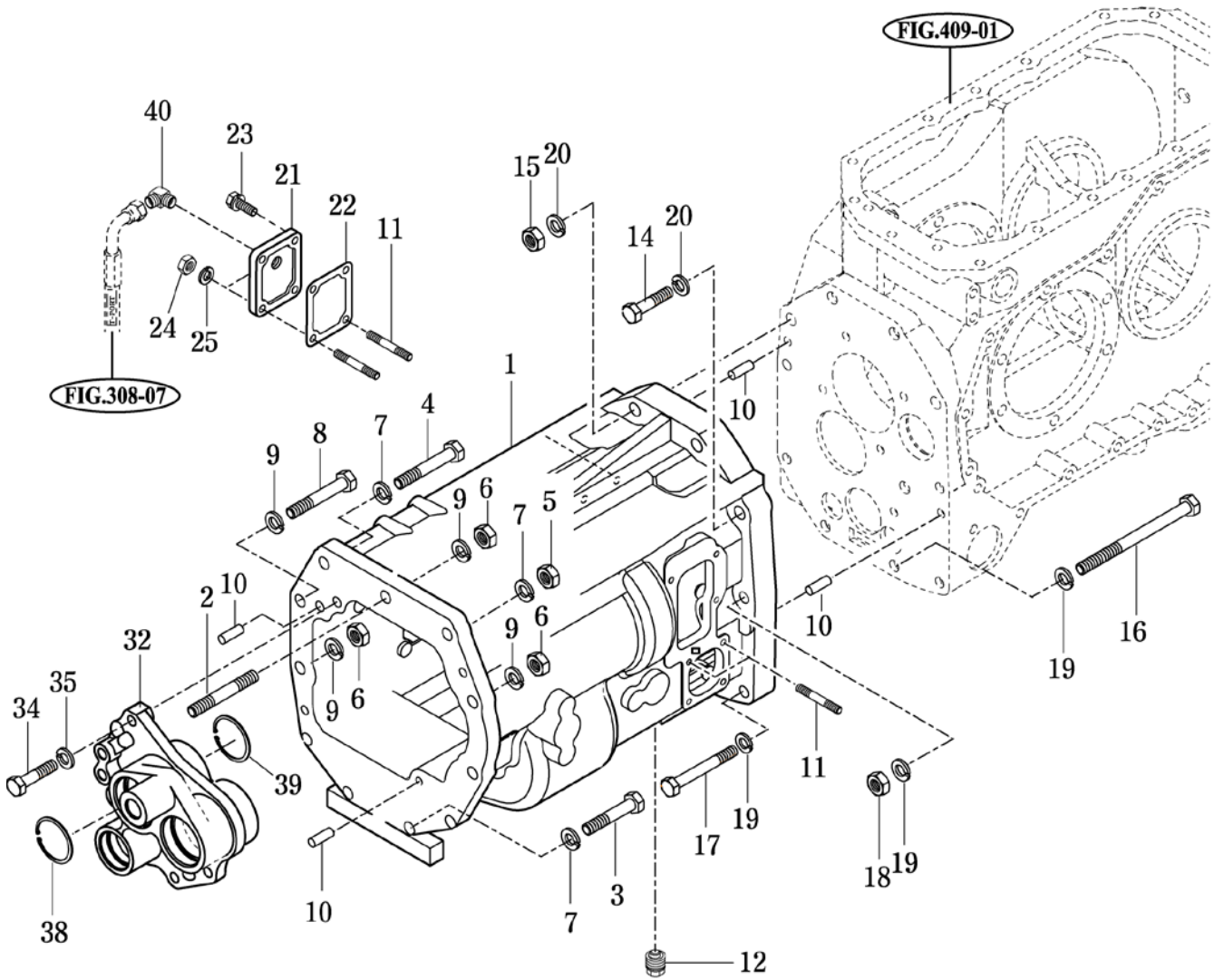
P1

Month/Year

02 / 2006



T7074



T720-K-408A

NOTE



# FIG 409

# TRANAMMISSION REAR CASE

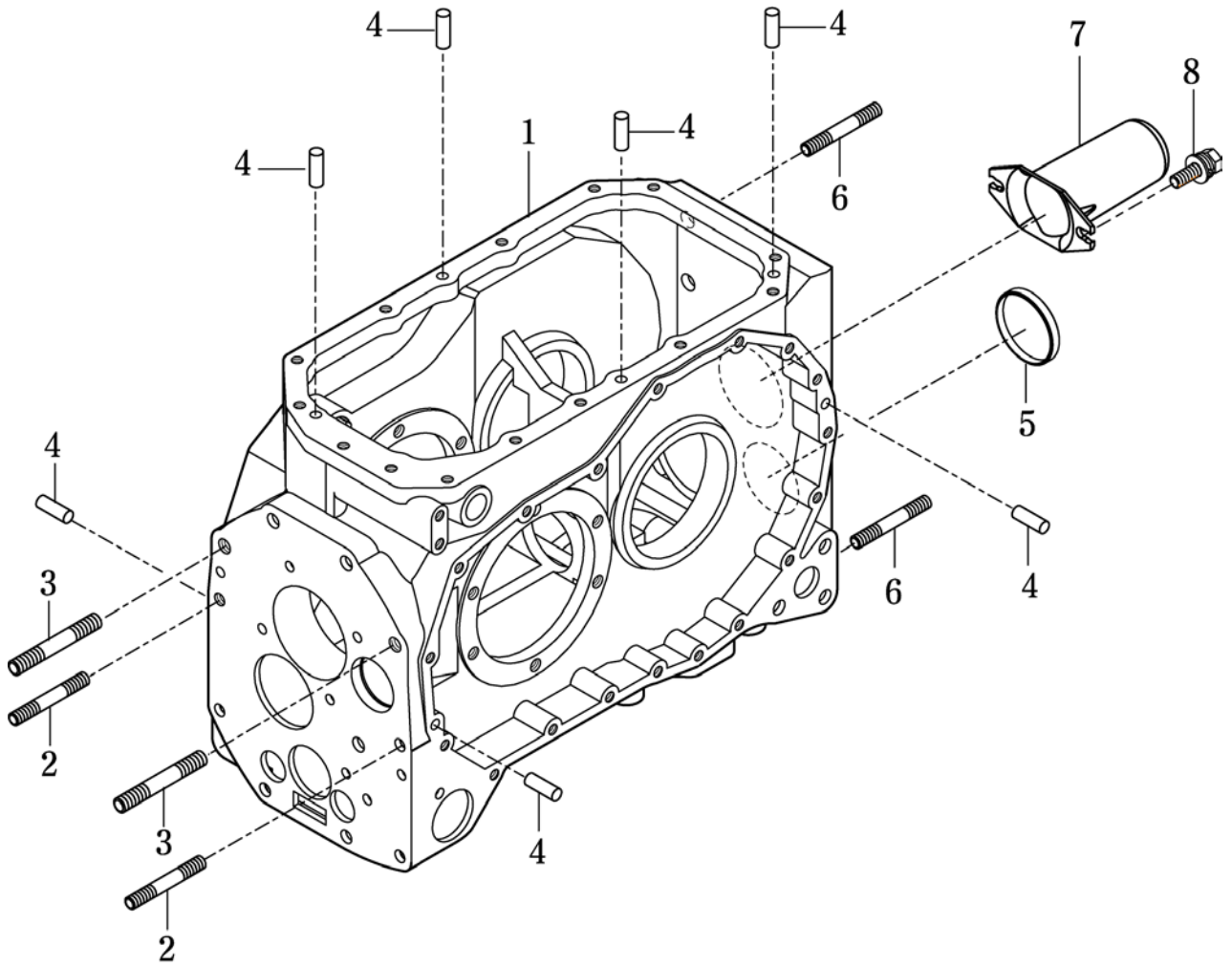
P1

Month/Year

02 / 2006



T7074



T720-K-409B

NOTE



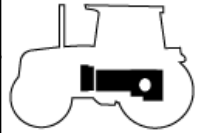
# FIG 410

# SUB CHANGE GEARS

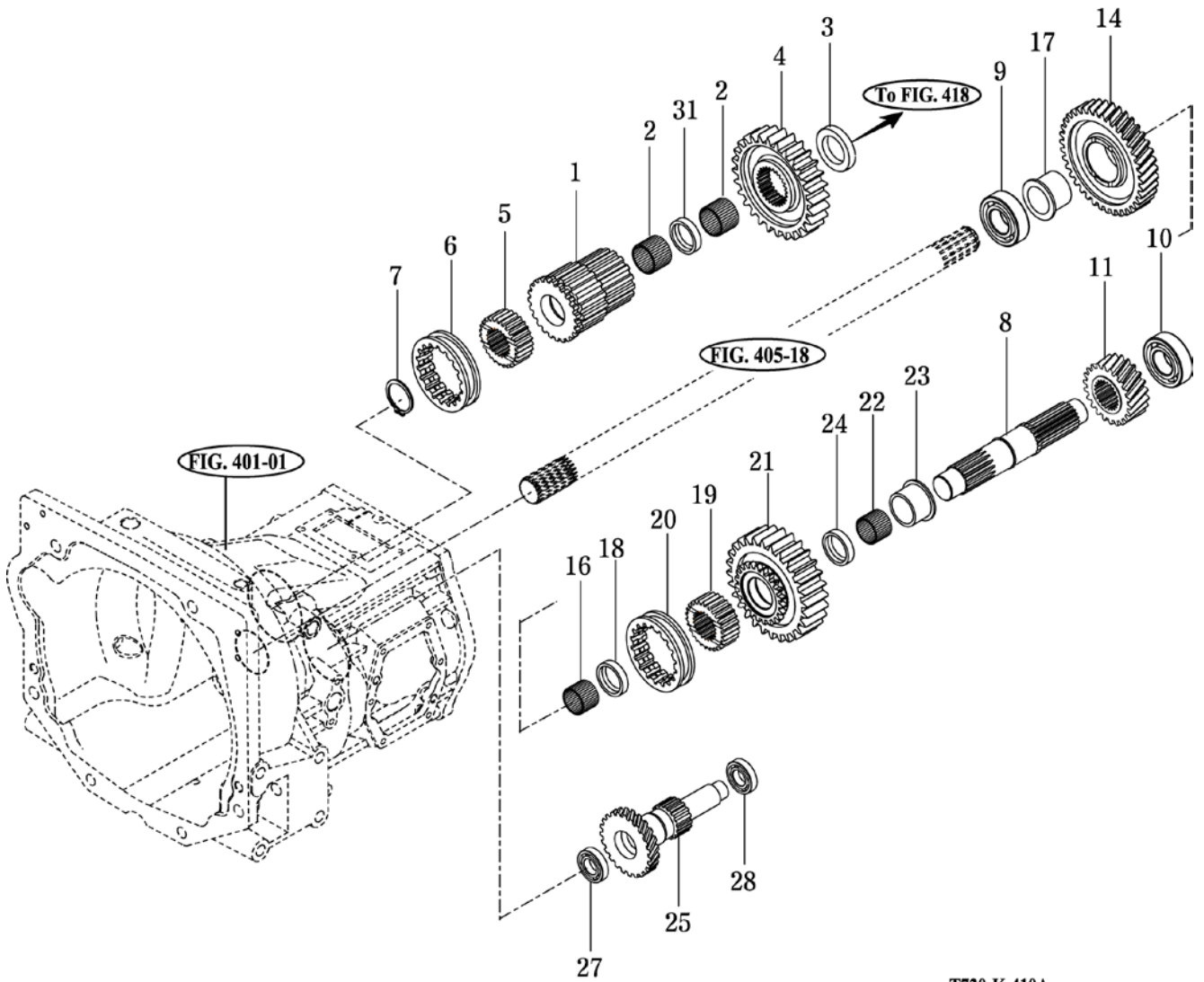
P1

Month/Year

02 / 2006



T7074



T720-K-410A

NOTE



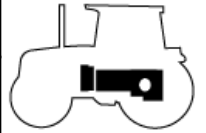
# FIG 411

# SUB CHANGE LEVER

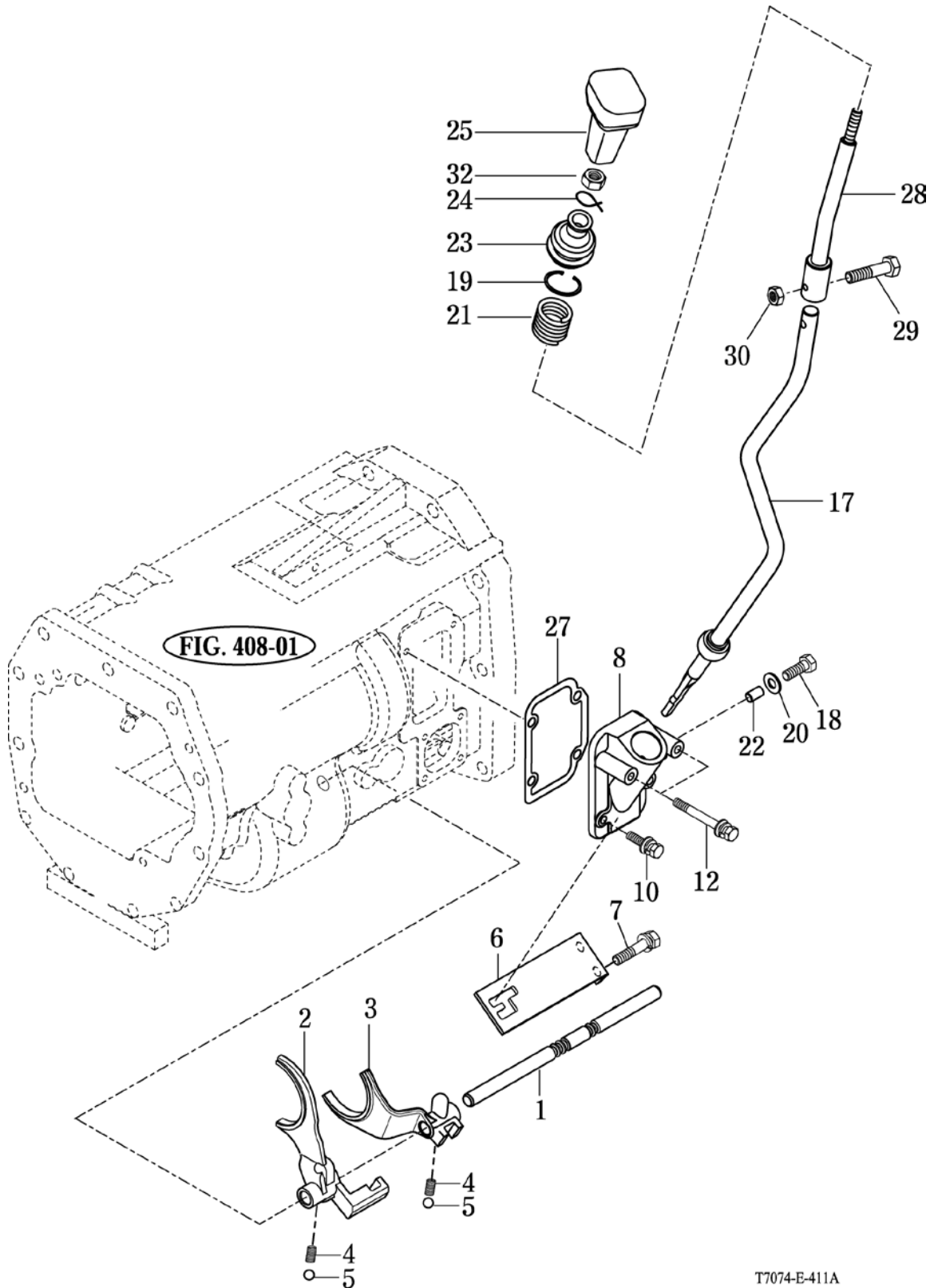
P1

Month/Year

02 / 2006



T7074



T7074-E-411A

NOTE





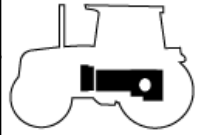
# FIG 413

# 4WD DRIVE GEARS

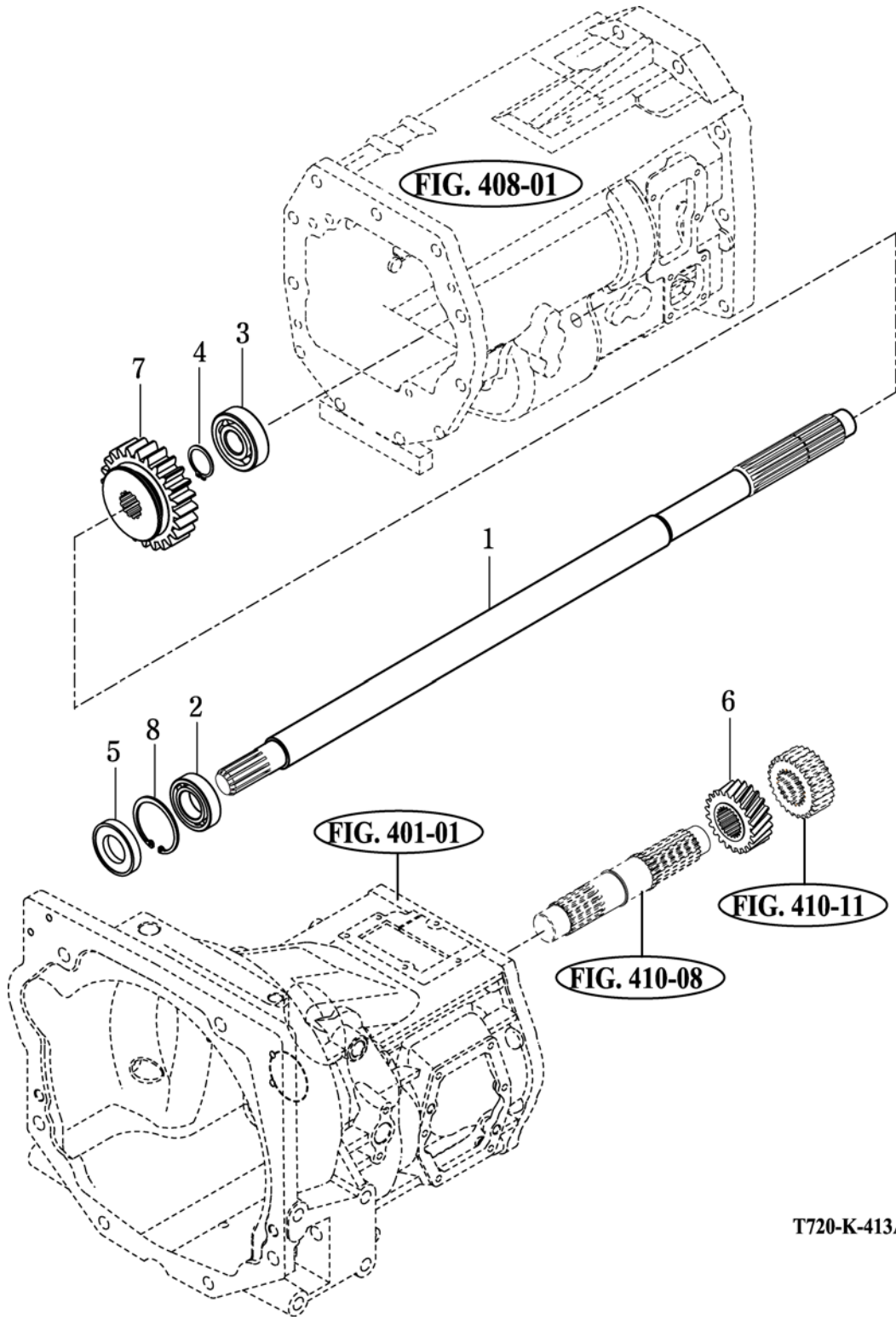
P1

Month/Year

02 / 2006



T7074



T720-K-413A

NOTE



# FIG 414

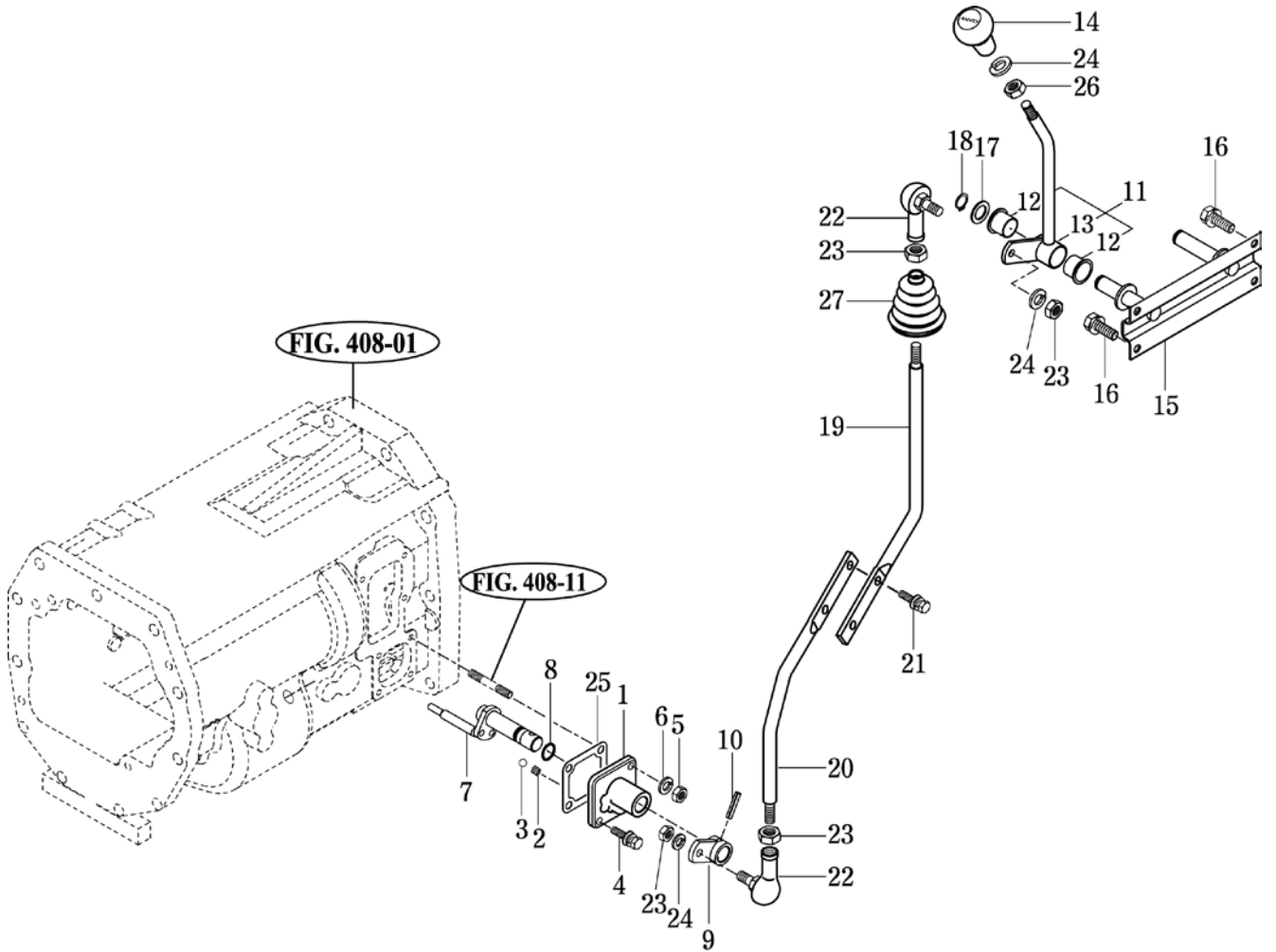
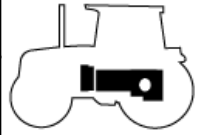
T7074

# 4WD CHANGE LEVER

P1

Month/Year

02 / 2006



T720-K-414A

NOTE



FIG 415

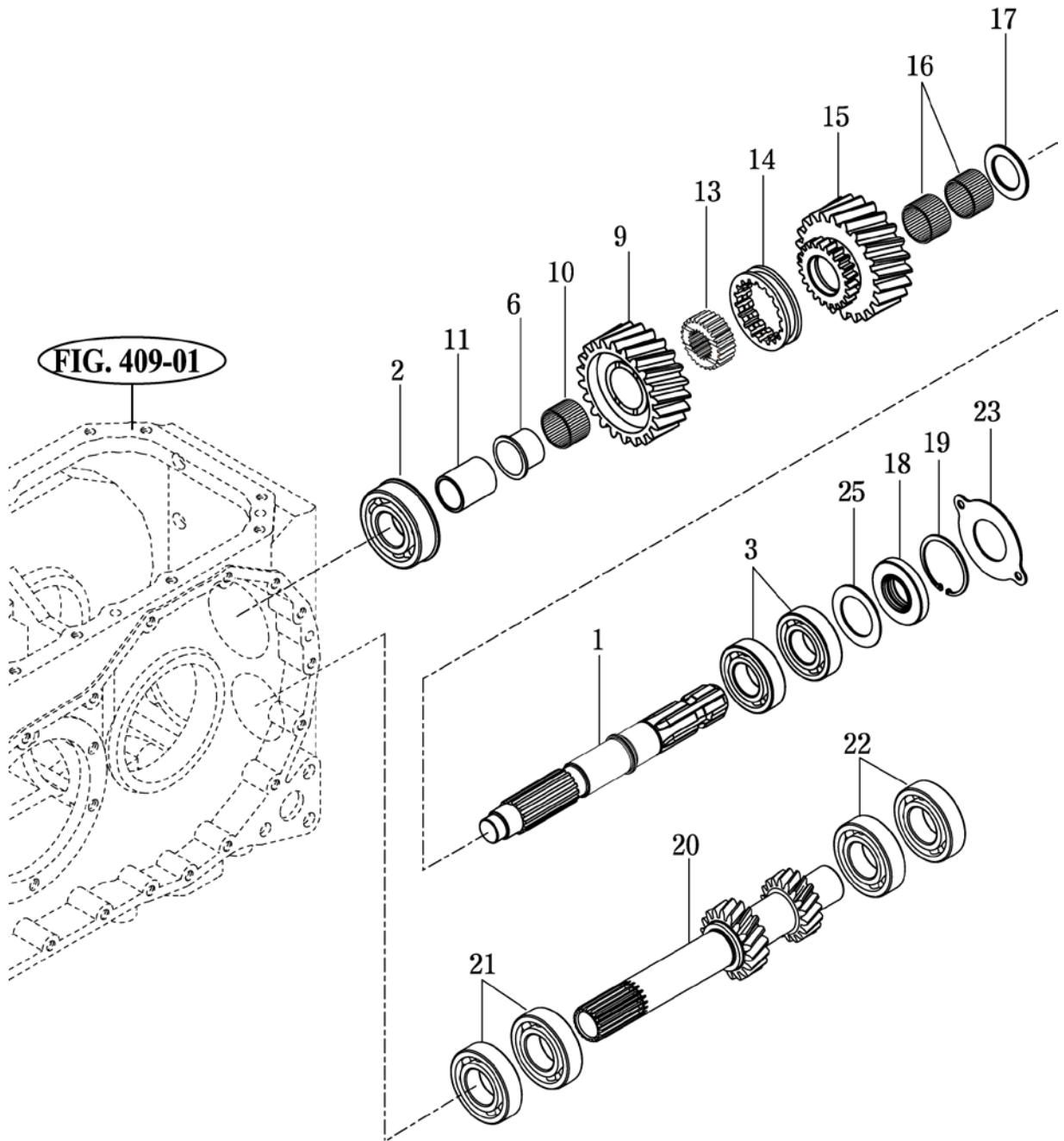
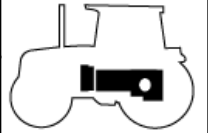
T7074

P.T.O CHANGE GEARS

P1

Month/Year

02 / 2006



T720-K-415A

NOTE

KEY NO.		PART NO.	DESCRIPTION	SPEC.	Q'TY.	REPAIR	EFFECTIVE DATE	REMARKS
414	001	15602650021M	SHAFT . PTO		1			
414	002	13022250030	BEARING , BALL/HL1	6306HL1	1			
414	003	V6802000010	BEARING , BALL		2			
414	004	V2173608020	BUSH , 40X45X48		1			
414	005	V3042600080	GEAR . HELICAL37T		1			
414	006	V4011600080	BEARING , NEEDLE	KT455027	1			
414	007	16992652200	COLLAR . 30X40X6		1			
414	008	V7201024014	HUB , 40X62X20		1			
414	009	16322652000	COUPLING , SLIDE		1			
414	010	V5801406025	GEAR . HELICAL 43T		1			
414	011	17682872501	BEARING , NEEDLE	KT404517	2			
414	012	15602870023	WASHER , 40X60X3		1			
414	013	17682872101G	SEAL ASSY , OIL		1	B		
414	014	17682190060	C-RING , HOLE	72	1			
414	015	17682872000G	GEAR , HELICAL 20-14		1			
414	016	V2173608020	BEARING , BALL/HL1	6305HL1	2			
414	017	36212110030	BEARING , BALL/HL1	6306HL1	2			
414	018	V7041400160	COVER		1			
414	019	17682880030	SHIM , B		1			
414	020	17682880022						
414	021	V2193606016						
414	022	36402200040						
414	023	V3042600080						
414	024	V4011600080						
414	025	14443120050						
414	026	V3342600100						
414	027	16991160010						
NOTE								

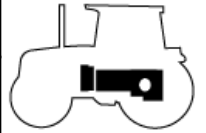
**FIG 416**

**P.T.O CHANGE LINKAGE**

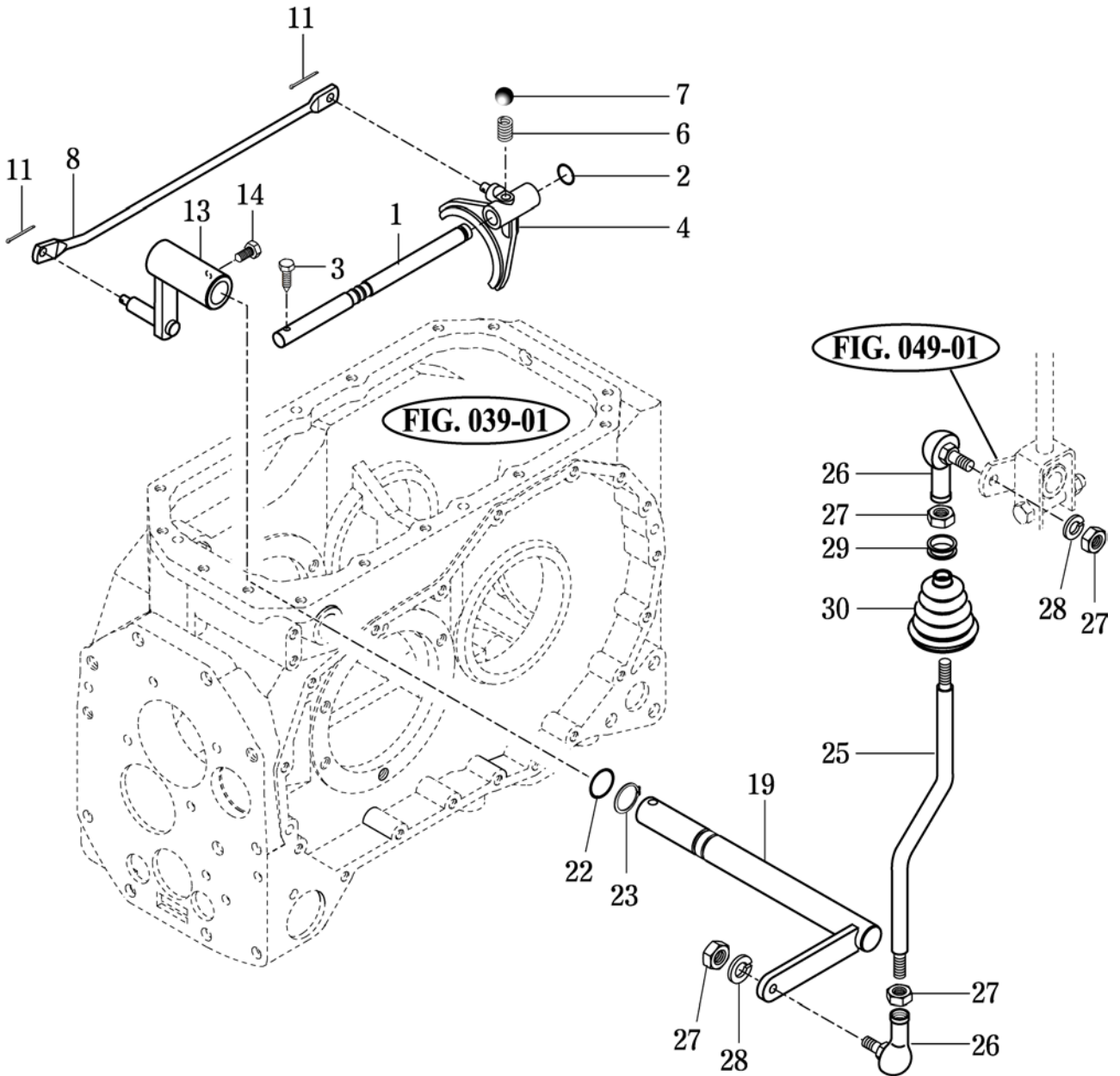
P1

Month/Year

02 / 2006



T7074



T7074-E-416A

NOTE





# FIG 417

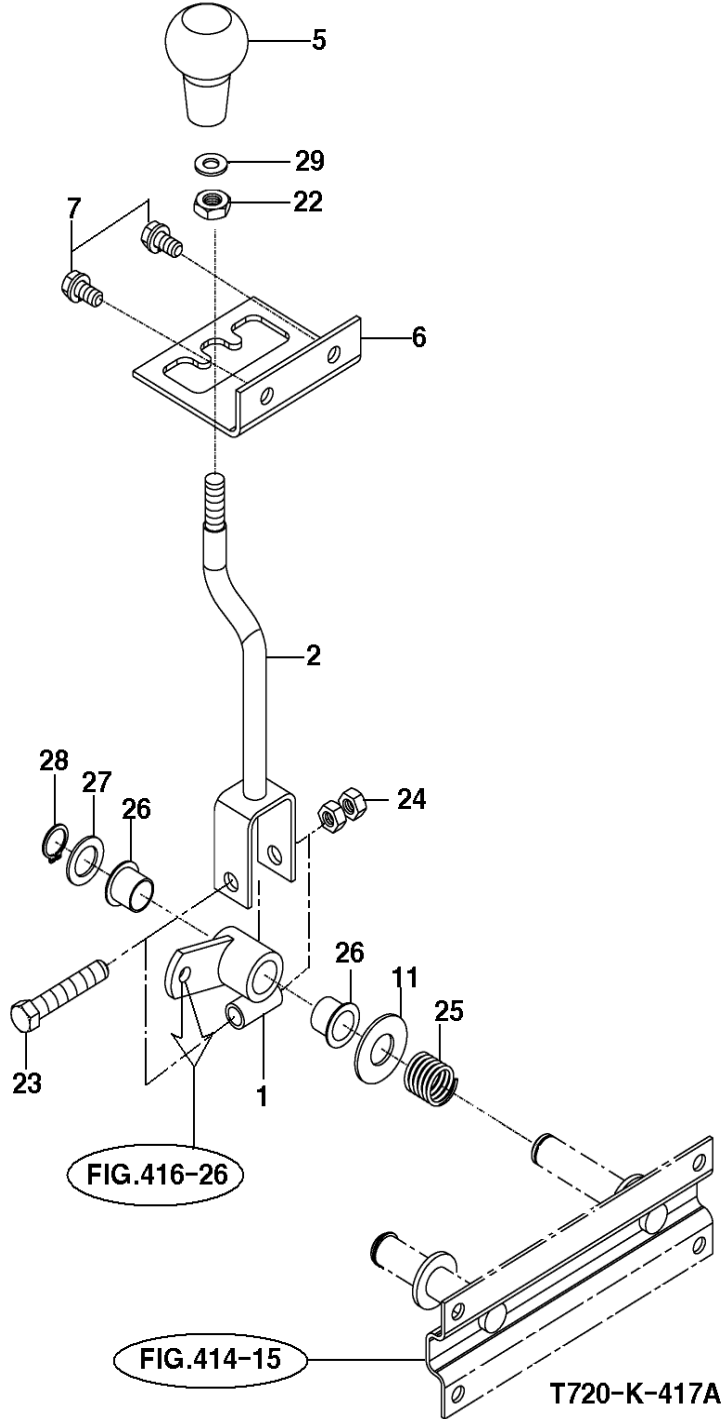
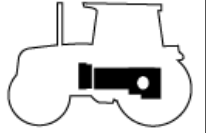
T7074

# P.T.O CHANGE LEVER

P1

Month/Year

02 / 2006



NOTE



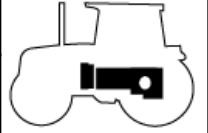
# FIG 418

# REAR DIFFERENTIAL GEARS

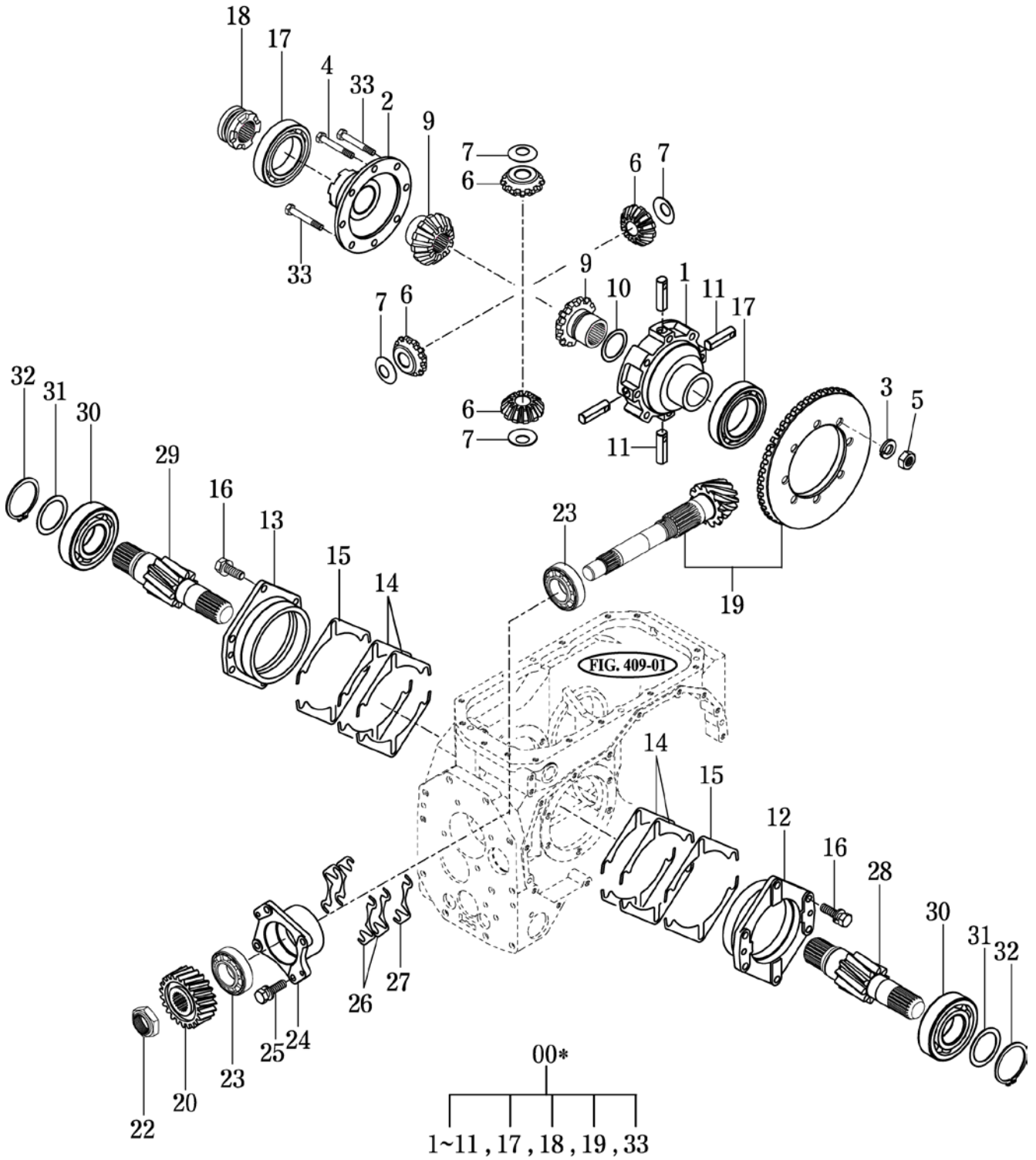
P1

Month/Year

02 / 2006



T7074



\* NOT SERVICED SEPARATELY

T720-K-418B

NOTE



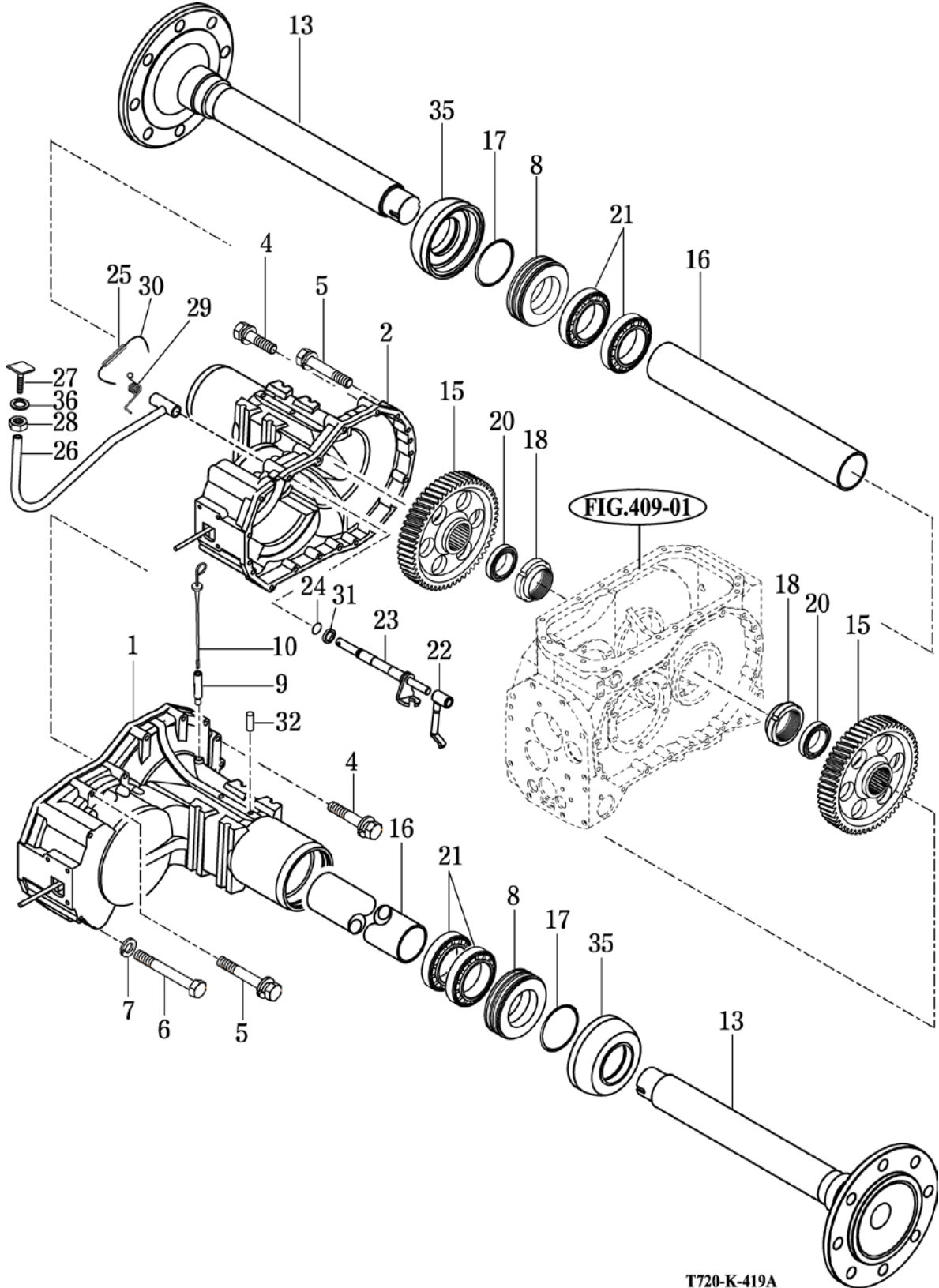
FIG 419

REAR AXLE & HOUSINGS

P1

Month/Year

02 / 2006



T720-K-419A

NOTE



# FIG 501

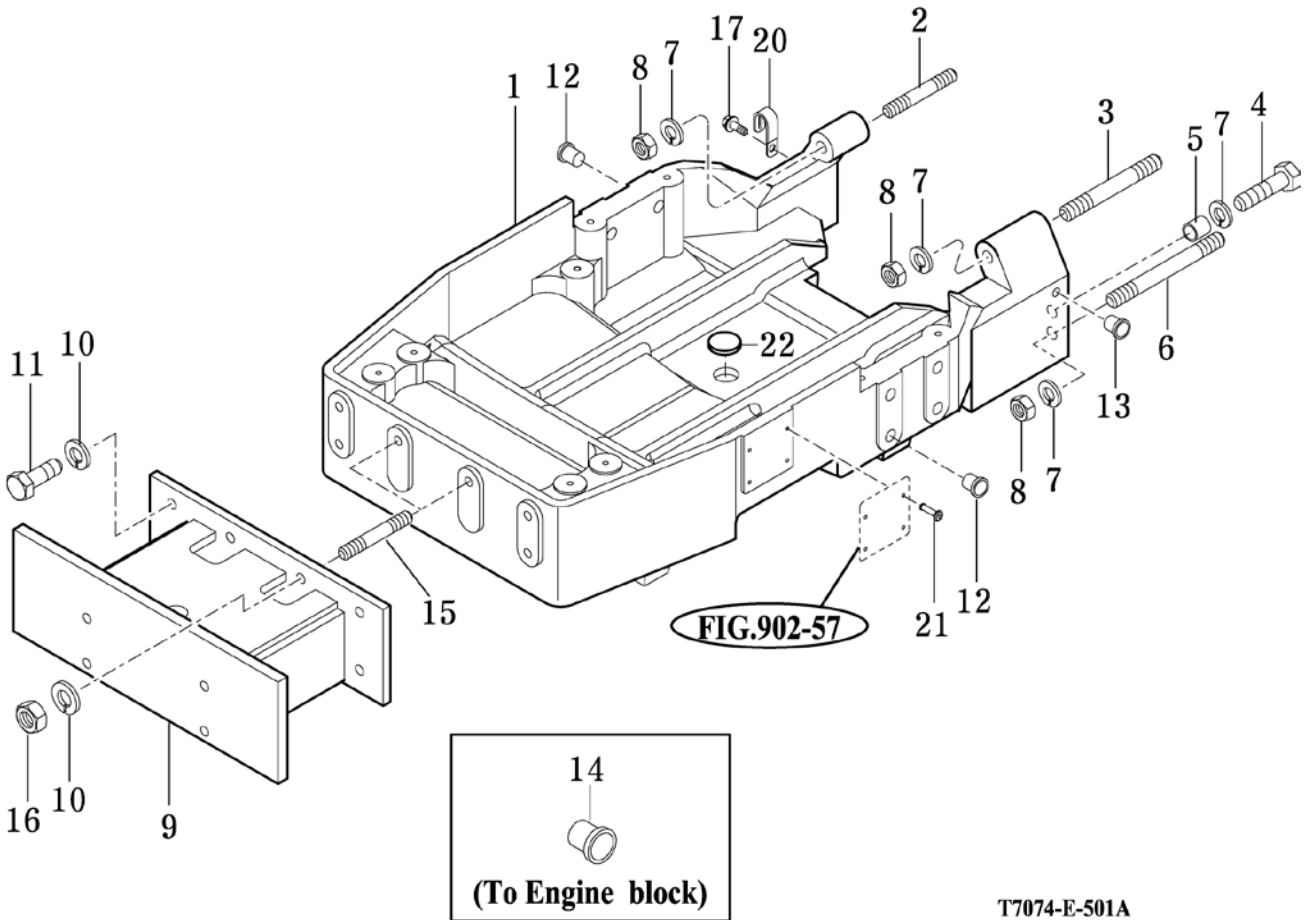
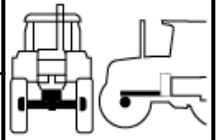
T7074

# FRONT AXLE SUPPORT

P1

Month/Year

02 / 2006



T7074-E-501A

NOTE





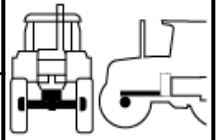
FIG 502

FRONT DRIVE SHAFT

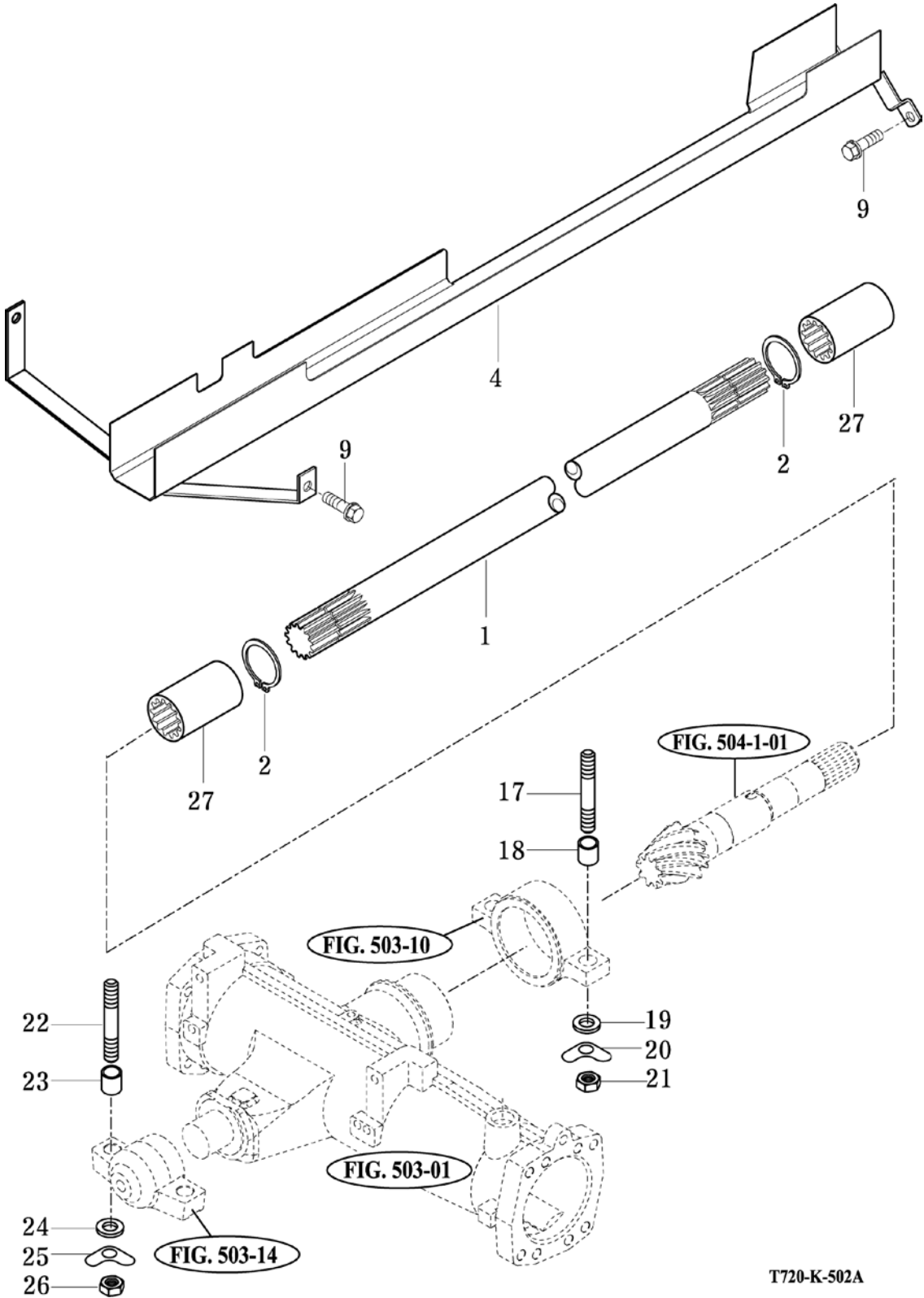
P1

Month/Year

02 / 2006



T7074



T720-K-502A

NOTE



# FIG 503

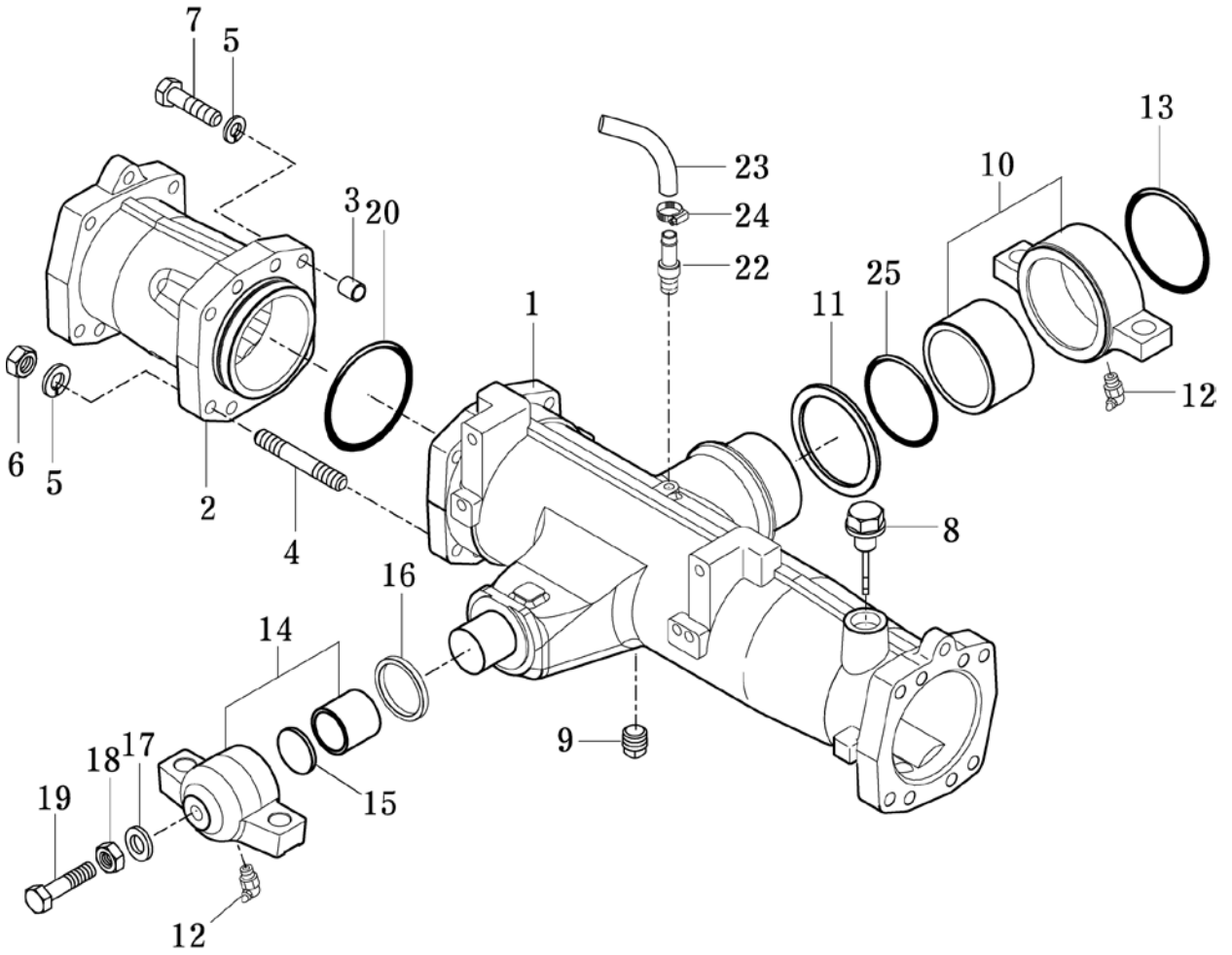
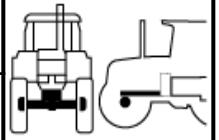
T7074

# FRONT AXLE HOUSING

P1

Month/Year

02 / 2006



T720-K-503A

NOTE



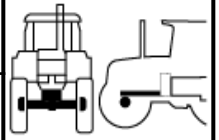
# FIG 504

# FRONT DIFFERENTIAL GEARS

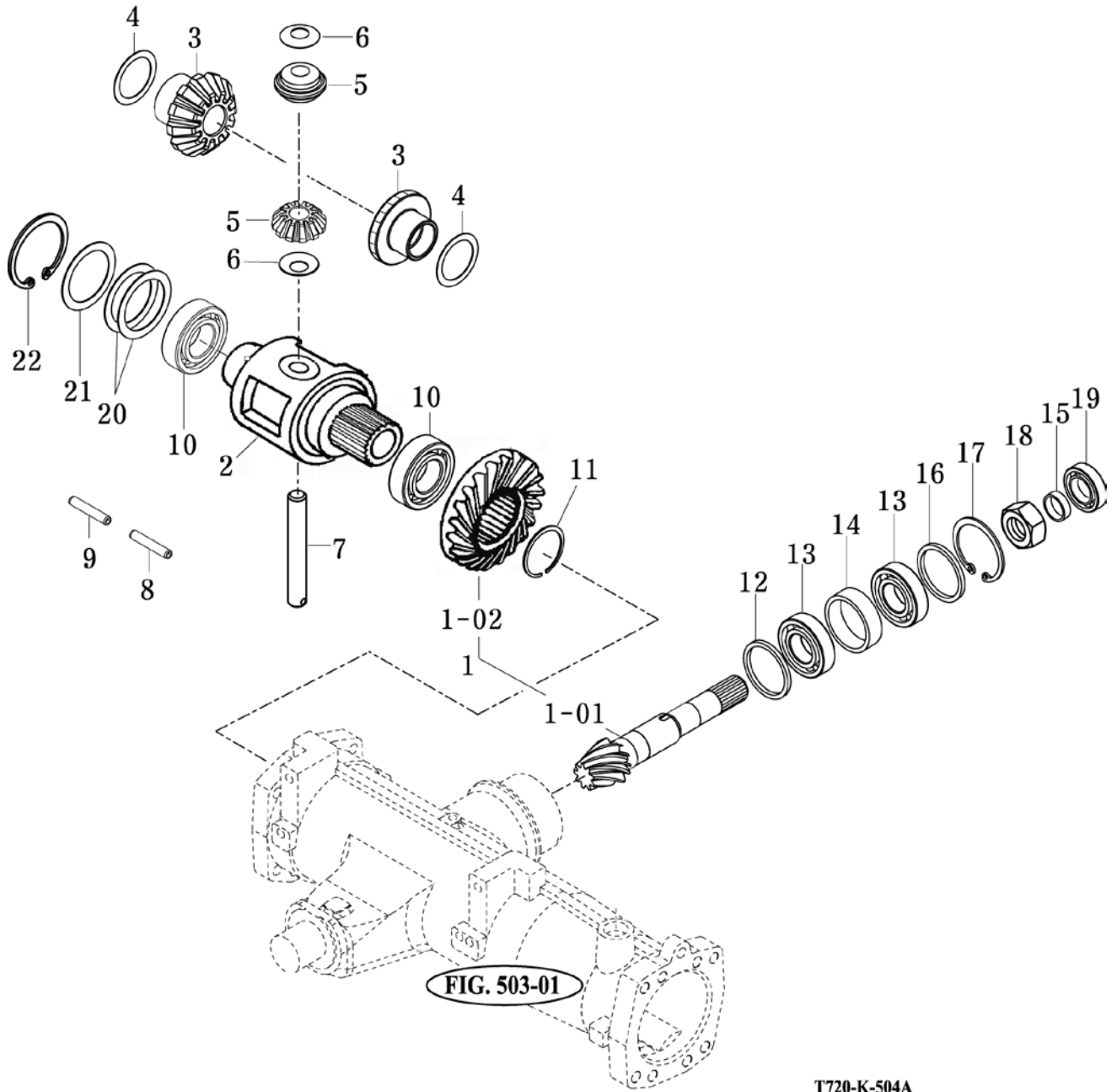
P1

Month/Year

02 / 2006



T7074



NOTE



FIG 505

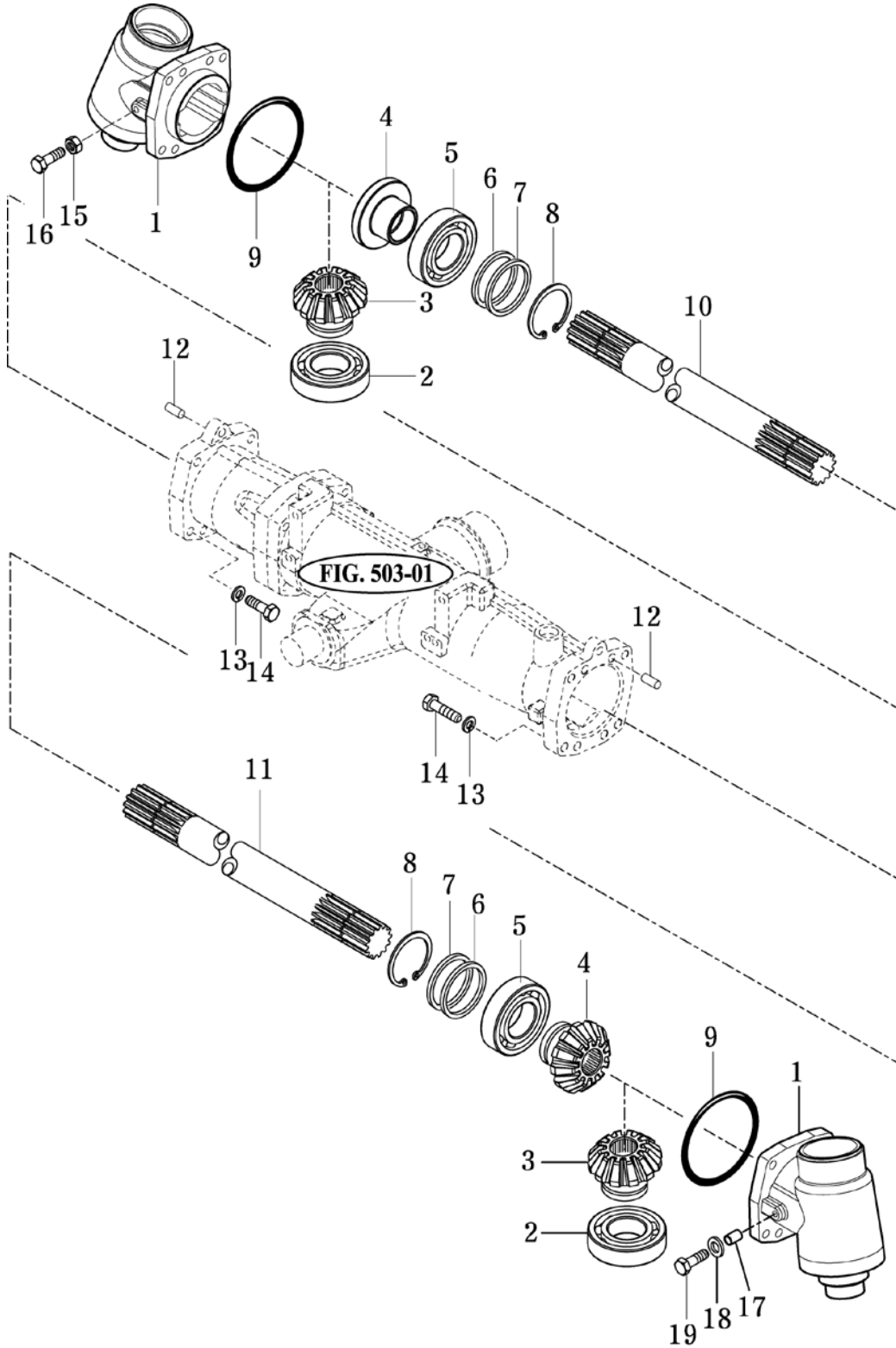
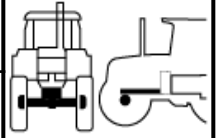
T7074

FRONT GEAR CASE (1)

P1

Month/Year

02 / 2006



T720-K-505A

NOTE





FIG 506

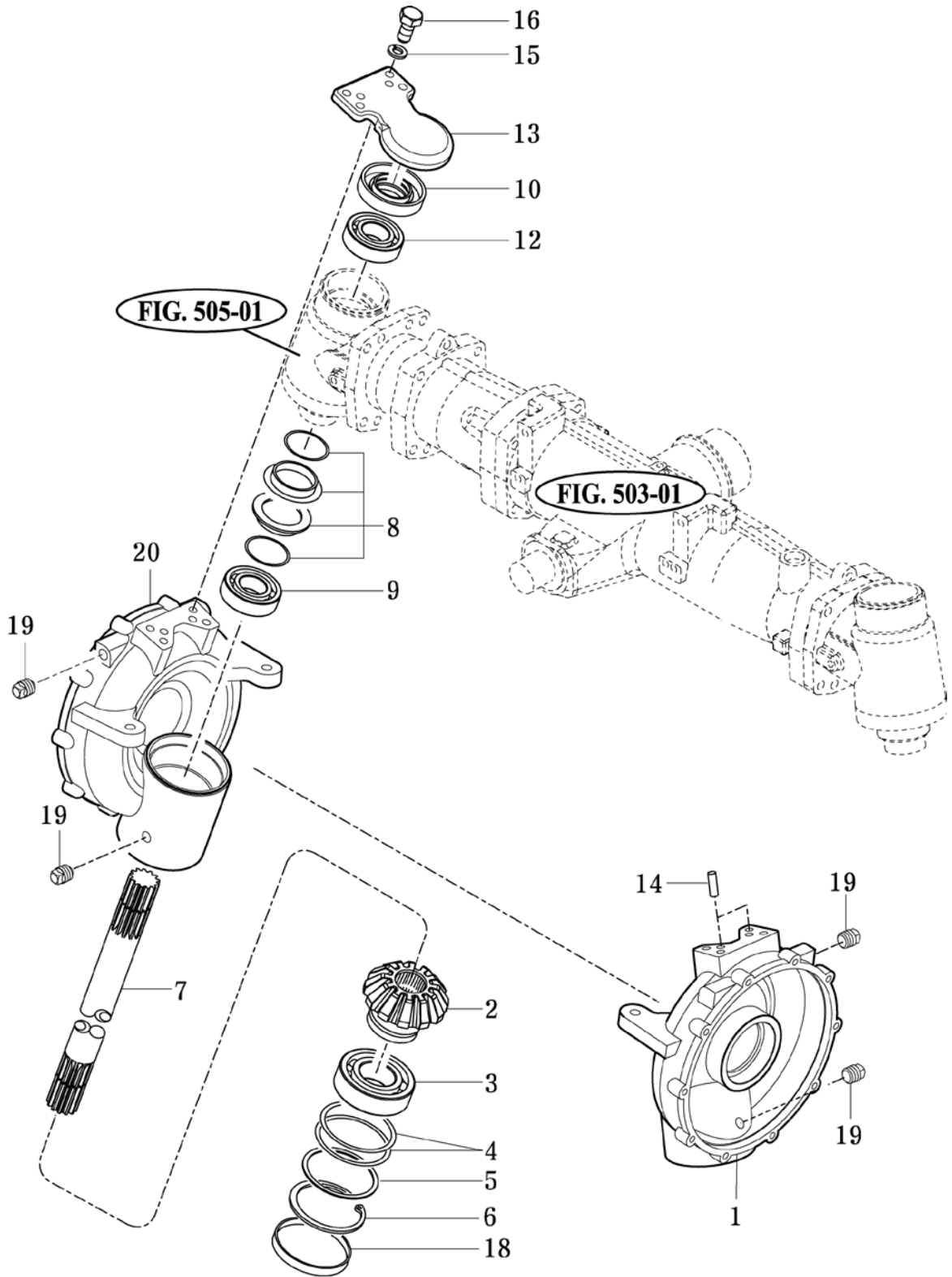
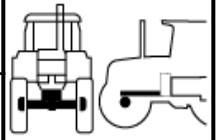
T7074

FRONT GEAR CASE (2)

P1

Month/Year

02 / 2006



T720-K-506A

NOTE



**FIG 507**

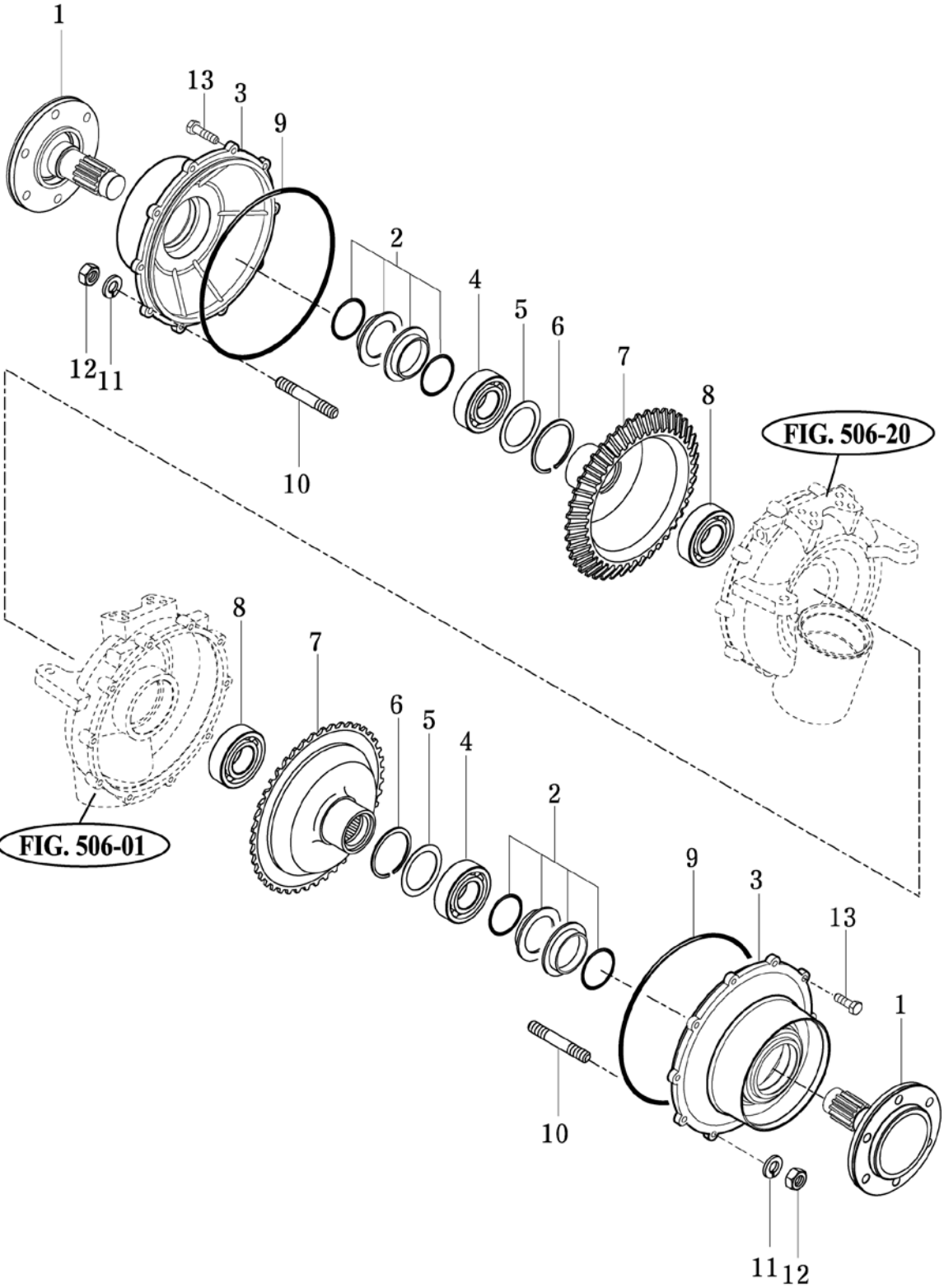
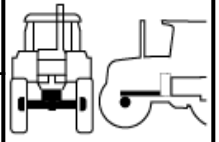
T7074

**FRONT GEAR CASE (3)**

P1

Month/Year

02 / 2006



T720-K-507A

NOTE



# FIG 601

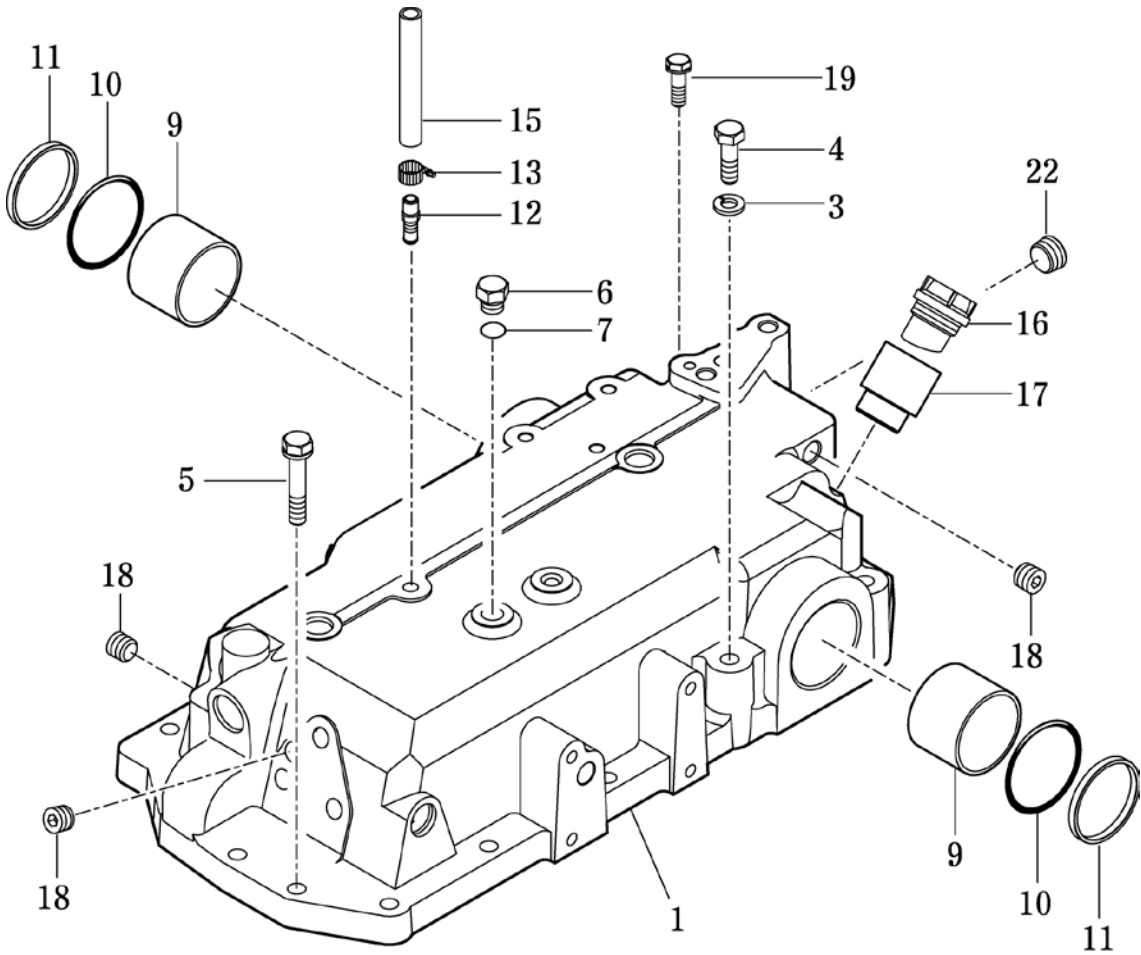
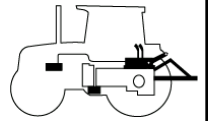
T7074

# CYLINDER CASE

P1

Month/Year

02 / 2006



T720-K-601B

NOTE



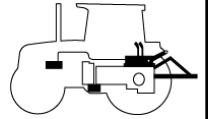
**FIG 602**

**LIFT ARM**

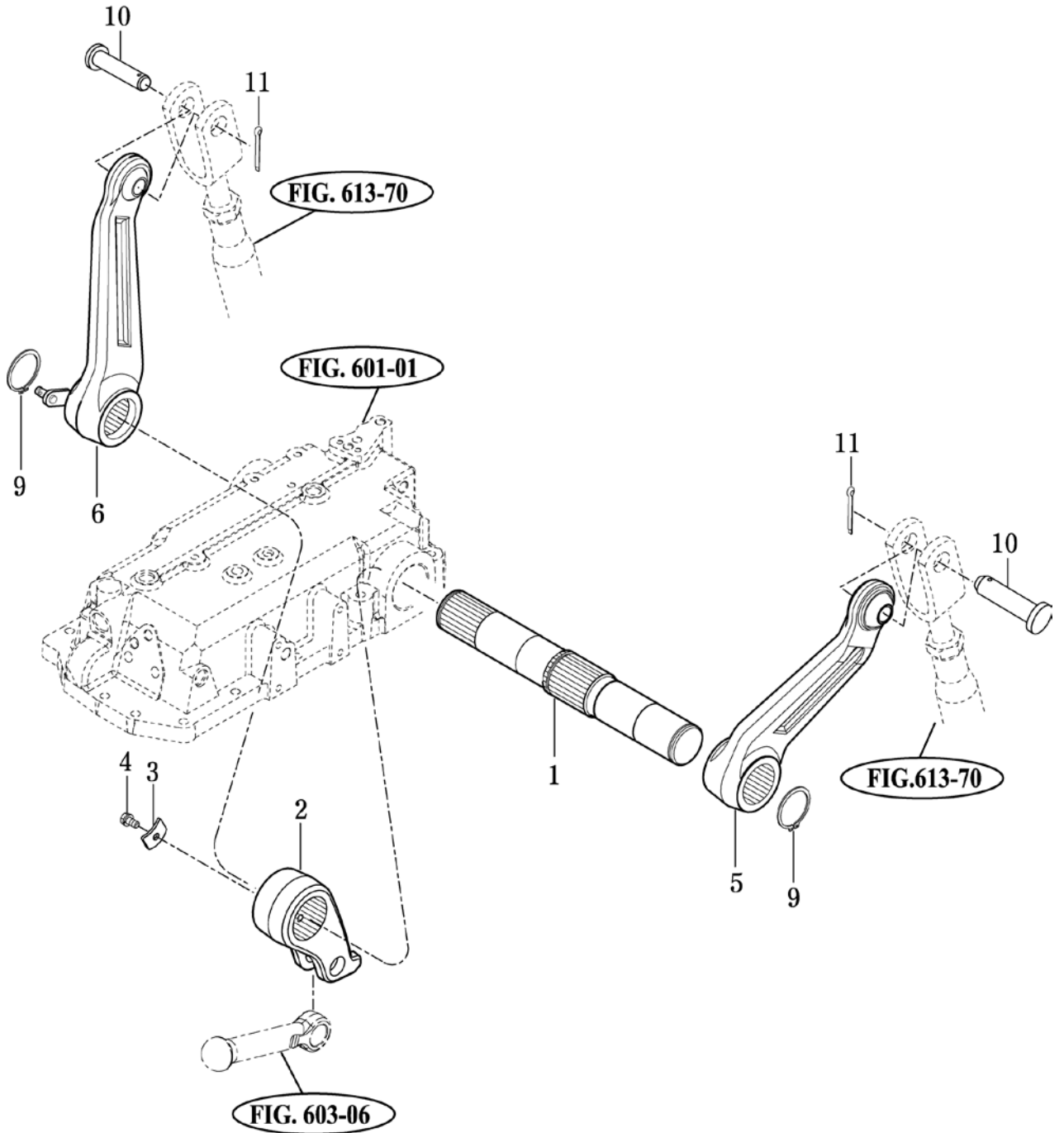
P1

Month/Year

02 / 2006



T7074



T720-K-602A

NOTE





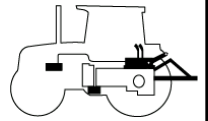
FIG 603

CYLINDER

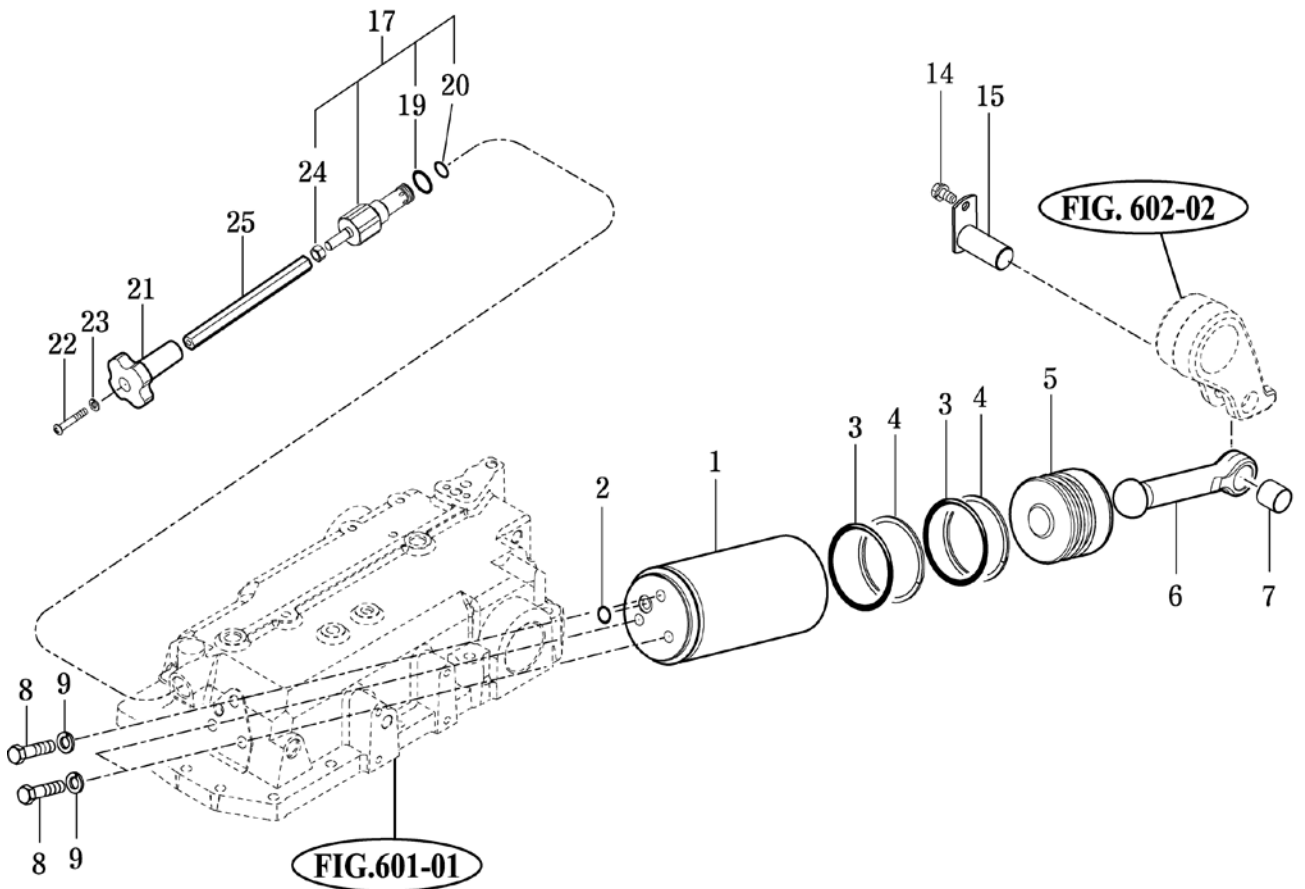
P1

Month/Year

02 / 2006



T7074



T720-K-603A

NOTE



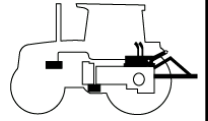
FIG 605

CONTROL VALVE

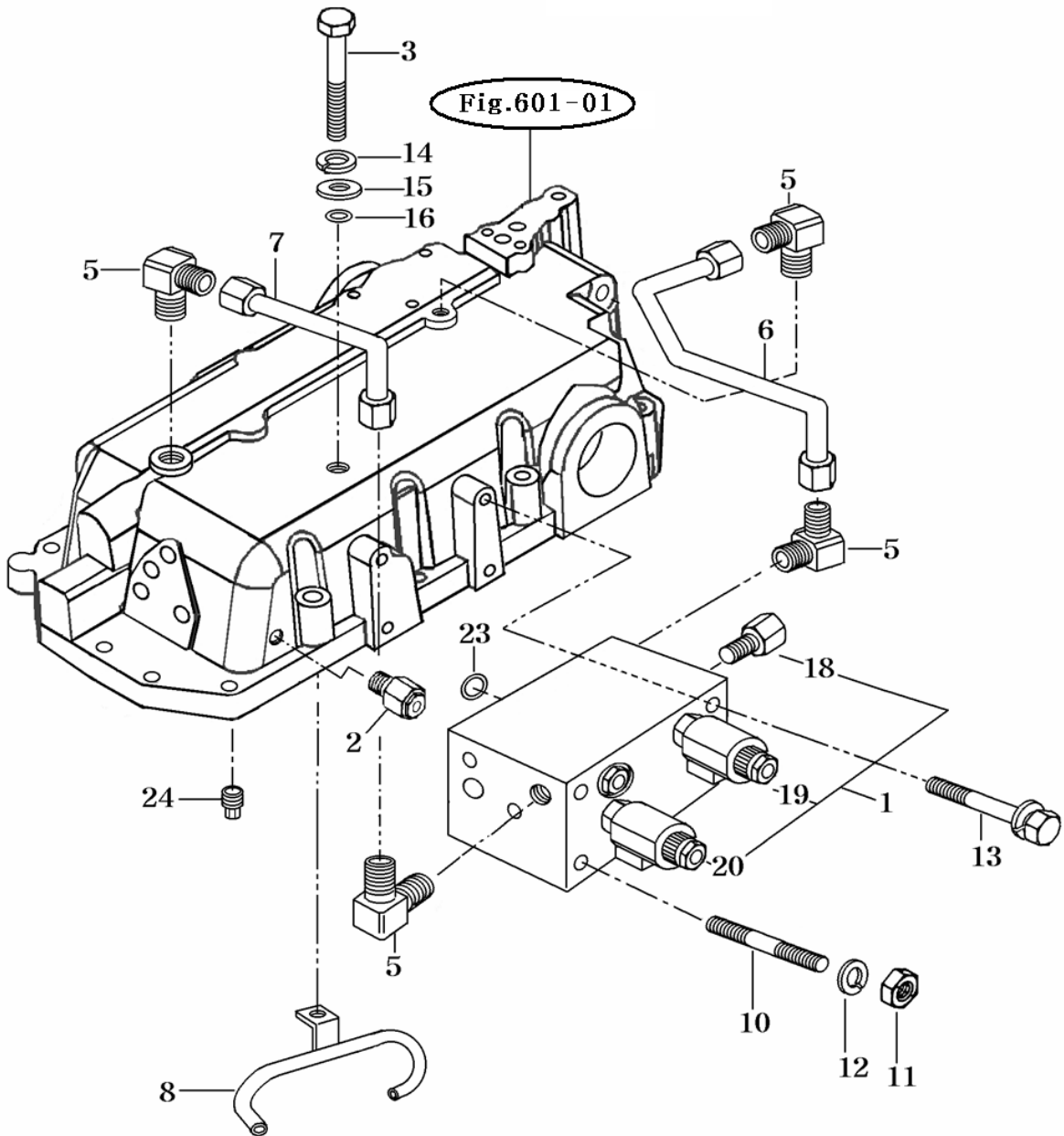
P1

Month/Year

02 / 2006



T7074



NOTE



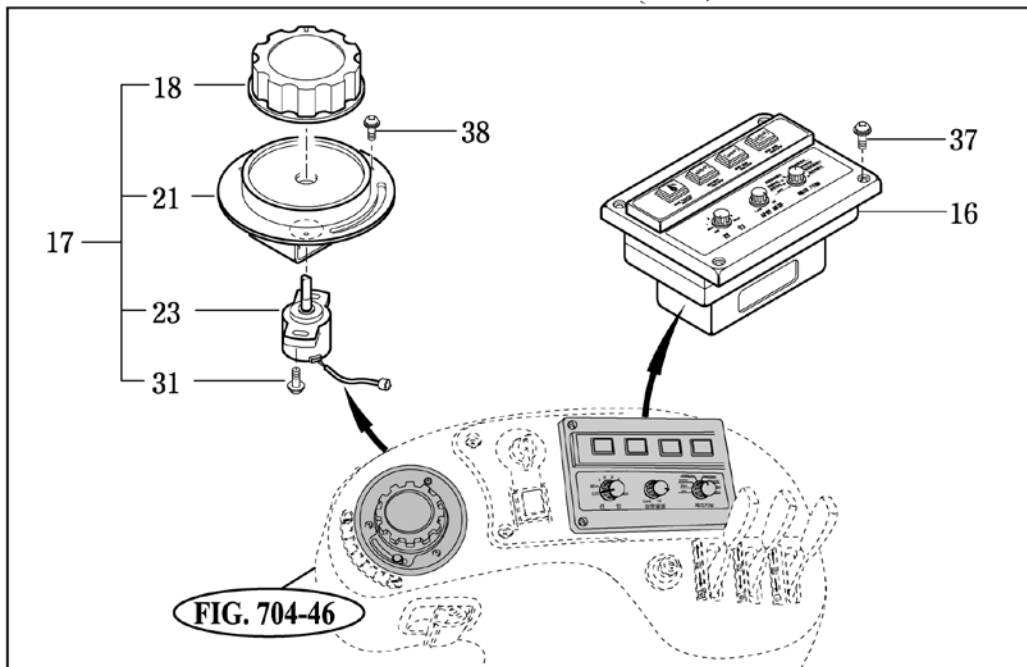
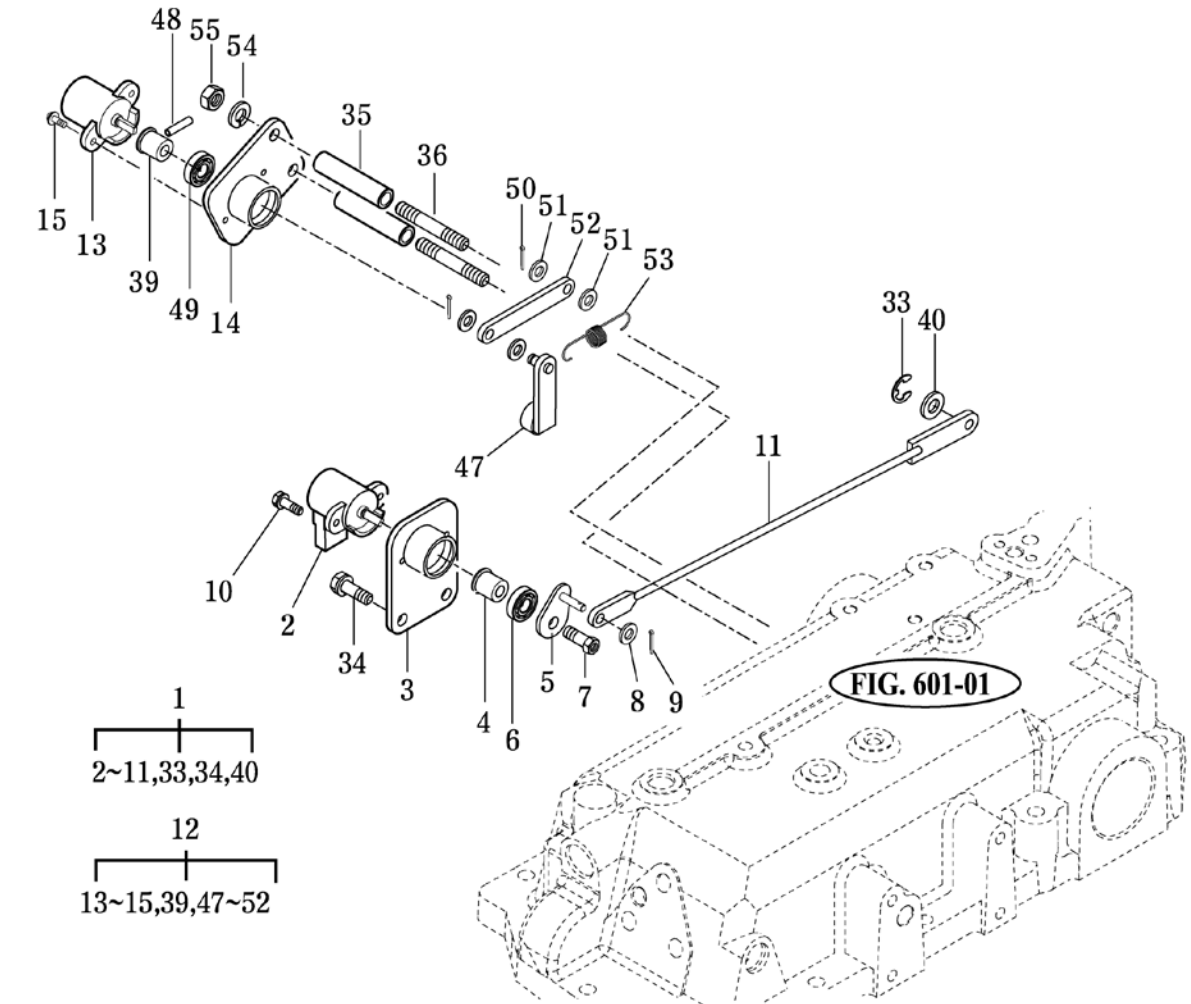
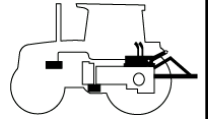
# FIG 606

# DRAFT LINK

P1

Month/Year

02 / 2006



T7074-E-606A

NOTE



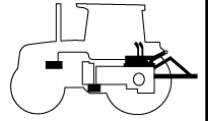
FIG 607

HYDRAULIC PIPE & PUMP

P1

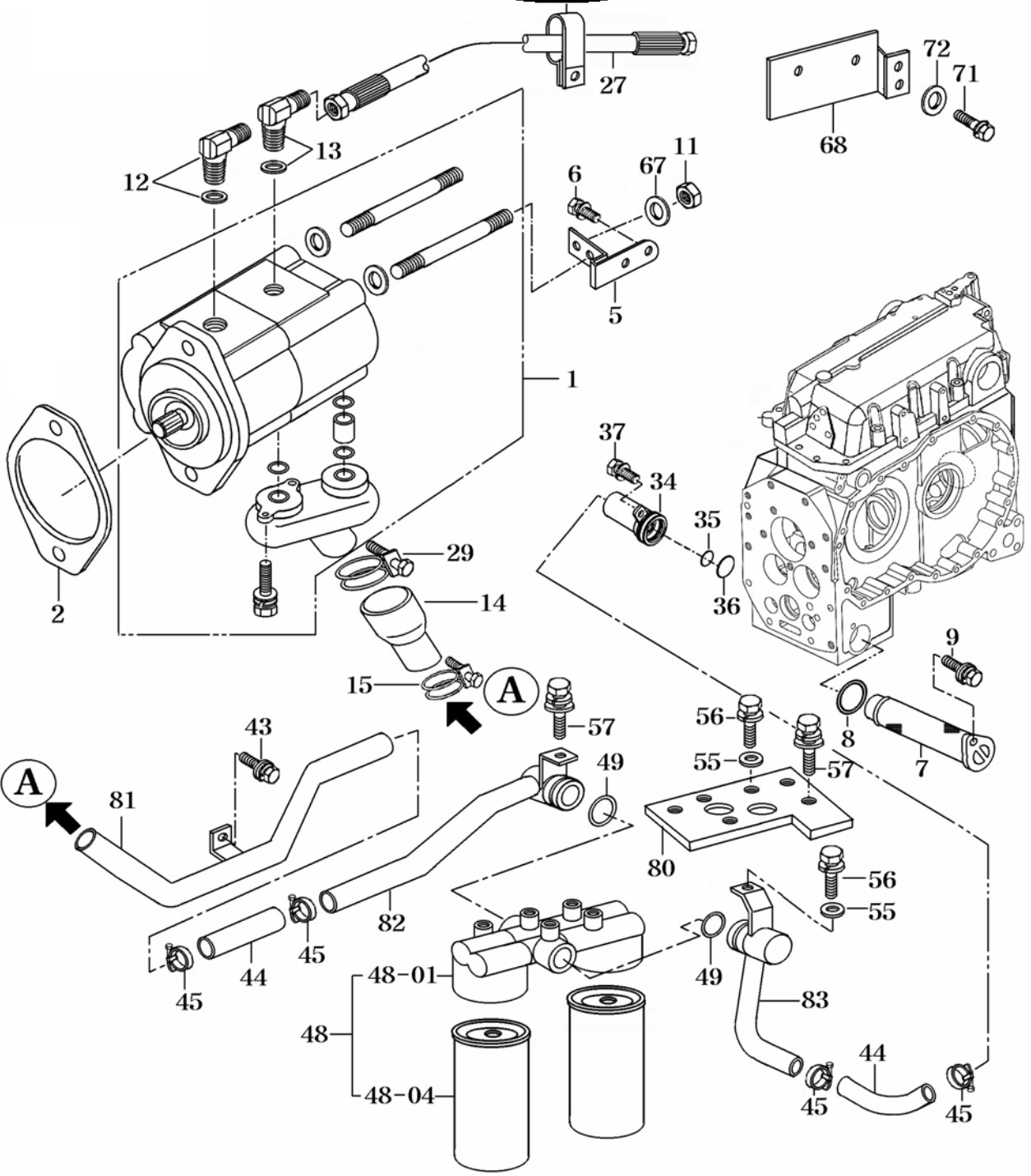
Month/Year

02 / 2006



T7074

Fig.501-20



NOTE





FIG 608

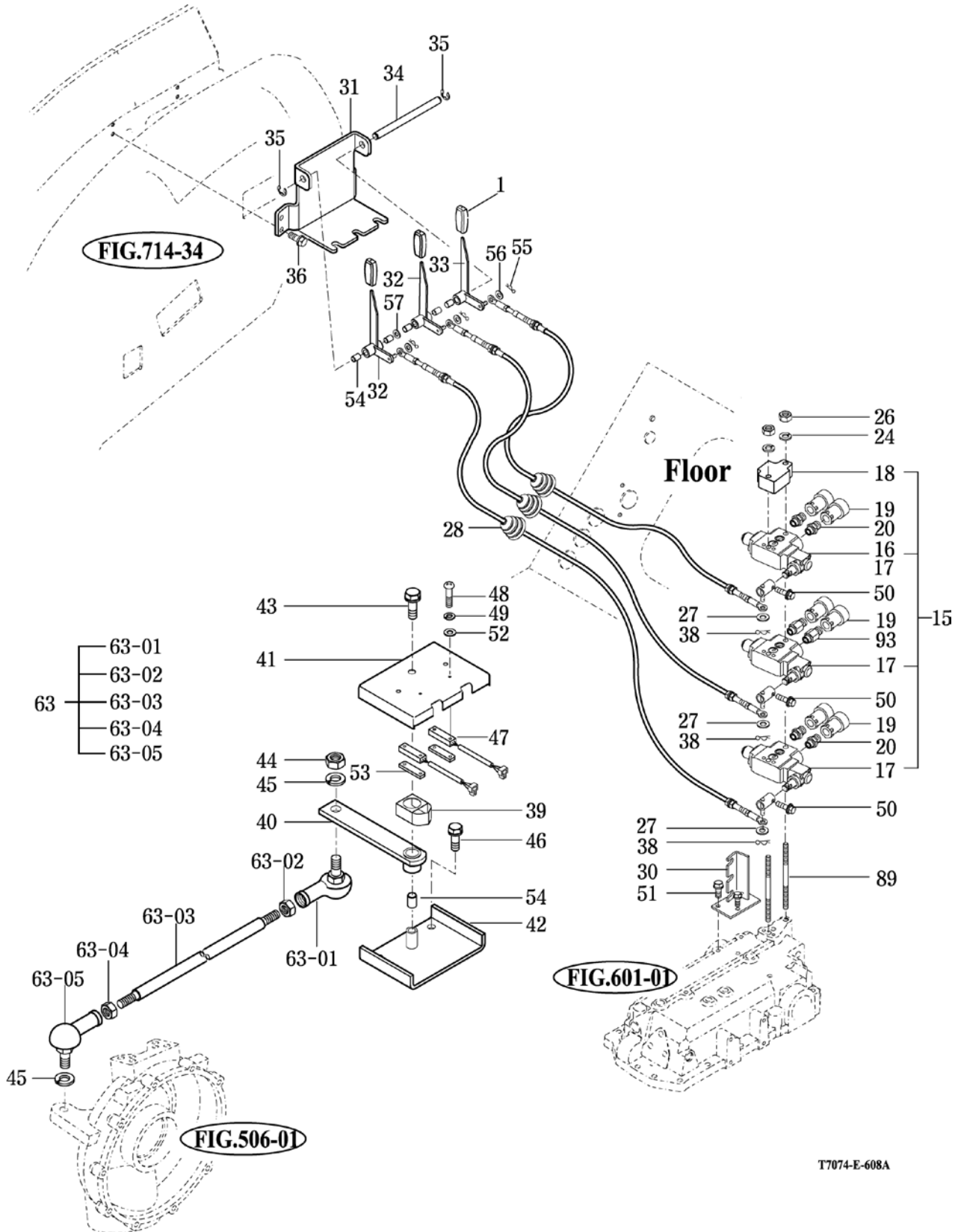
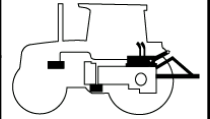
EXTERIOR HYD. VALVE & BACK UP SYSTEM

T7074

P1

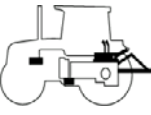
Month/Year

02 / 2006



T7074-E-608A

NOTE

FIG 608		EXTERIOR HYD. VALVE & BACK UP SYSTEM			P1	Month / Year	
T7074						02 / 2006	
KEY NO.	PART NO.	DESCRIPTION	SPEC.	Q'TY.	REPAIR	EFFECTIVE DATE	REMARKS
608 001	14322420040	CLIP		3			
608 015	17695080151	VALVE ASSY , AUX EXTERIOR 6P		1			
608 016	17685080950	VALVE , DETENT		1			
608 017	17685080961	VALVE , SPRING		2			
608 018	17995080970	COVER , EXTERIOR HYD.		1			
608 019	16995152360	COUPLING , 1/2		6			
608 020	17995080201	UNION , 1/2		4			
608 024	V4011600100	WASHER , SPRING	M10	2			
608 026	V3042600100	NUT , HEX/2	M10	2			
608 027	V4111600060	WASHER , PLAIN	M6	3			
608 028	17681160280	BOOT , WIRE		3			
608 029	17681162900	WIRE COMP		3	C		
608 030	17685013000	BRACKET COMP . A		1			
608 031	17685013101	BRACKET , B		1			
608 032	17685013200	LEVER COMP . A		2			
608 033	17685013300	LEVER COMP . B		1			
608 034	17685013400	SHAFT , LEVER		1			
608 035	V7081400080	E-RING	8	2			
608 036	V2173608020	BOLT , HEX/S	M8X20	4			
608 037	17685013700	LINK COMP . VALVE		1			
608 038	21306010180	PIN , SNAP(6)		3			
608 039	17685013901	GUIDE . PST		1			
608 040	17685014001	LINK COMP . PST		1			
608 041	17685014101	BRACKET . PST		1			
608 042	17685014200	BRACKET . PST		1			
608 043	V2173608016	BOLT , HEX/S	M8X16	1			
608 044	V3042600080	NUT , HEX/2	M8	1			
608 045	V4011600080	WASHER , SPRING	M8	2			
608 046	V2173608016	BOLT , HEX/S	M8X16	2			
608 047	17682153200	SWITCH		2	C		
608 048	V1112603016	SCREW . C/R PAN	M3X16	4			
608 049	V4011600030	WASHER , SPRING	M3	4			
608 050	V2183608030	BOLT , HEX/SP	M8X30	3			
608 051	V2173608016	BOLT , HEX/S	M8X16	3			
608 052	V4111600030	WASHER , PLAIN	M3	4			
608 053	36424960072	PLATE , SPRING		2			
608 054	36504400140	BUSH , 12X14X20		5			
608 055	21306010180	PIN , SNAP(6)		3			
608 056	V4111600060	WASHER , PLAIN	M6	3			
608 057	V4111600120	WASHER , PLAIN	M12	1			
608 063	17685309300	LINK COMP		1			
608 06301	36402200050	ELBOW , LH		1			
608 06302	15601320073	NUT , HEX LH		1			
608 06303	17685309320	ROD		1			
608 06304	V3042600080	NUT , HEX/2	M8	1			
608 06305	36402200040	ELBOW , RH		1			
608 089	17995080890	BOLT , STUD 170		2			
608 093	17995080931	UNION , 1/2 L60		2			
NOTE							

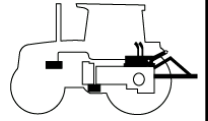
# FIG 609

# HYDRAULIC HOSE

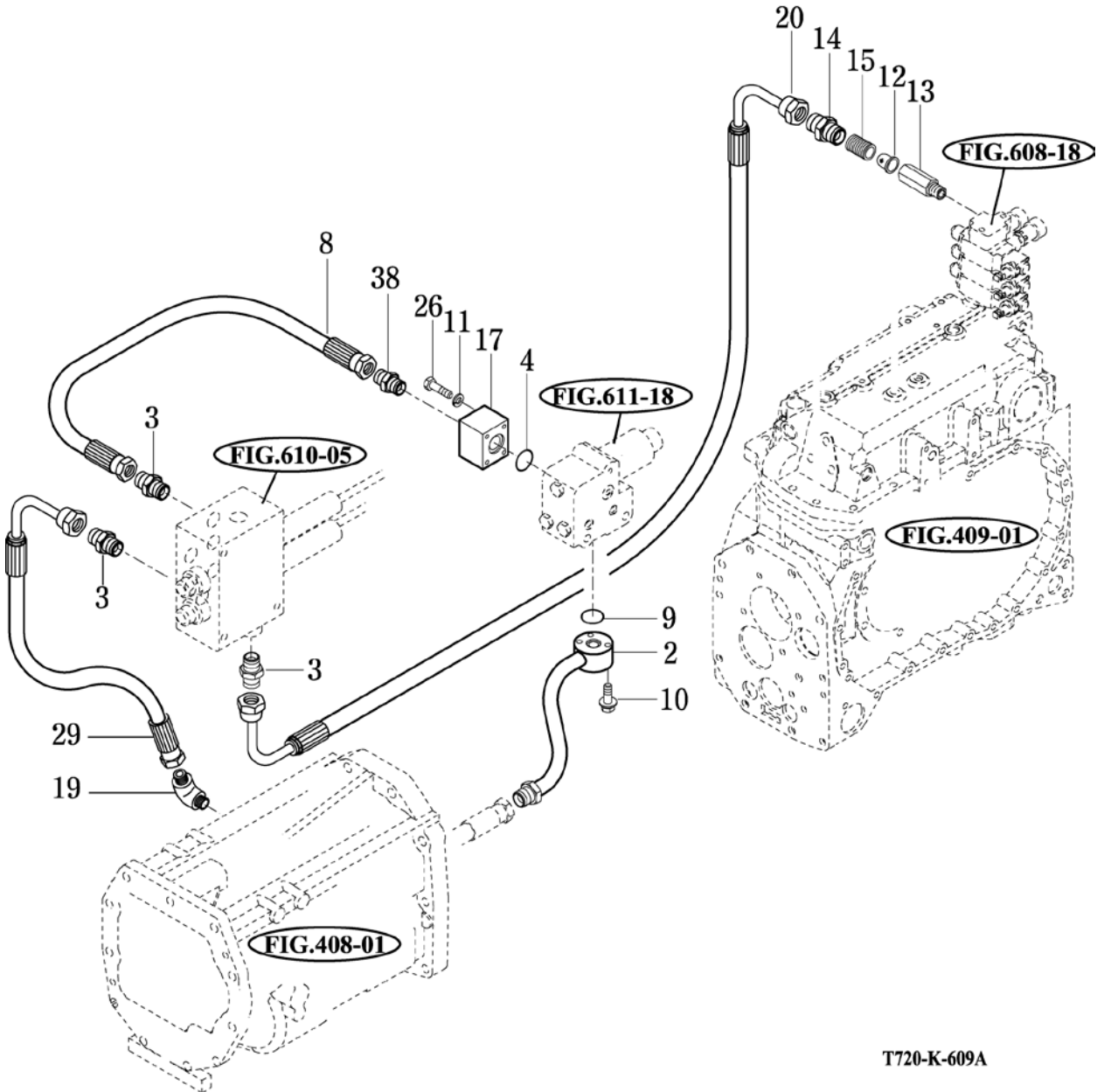
P1

Month/Year

02 / 2006



T7074



T720-K-609A

NOTE



**FIG 610**

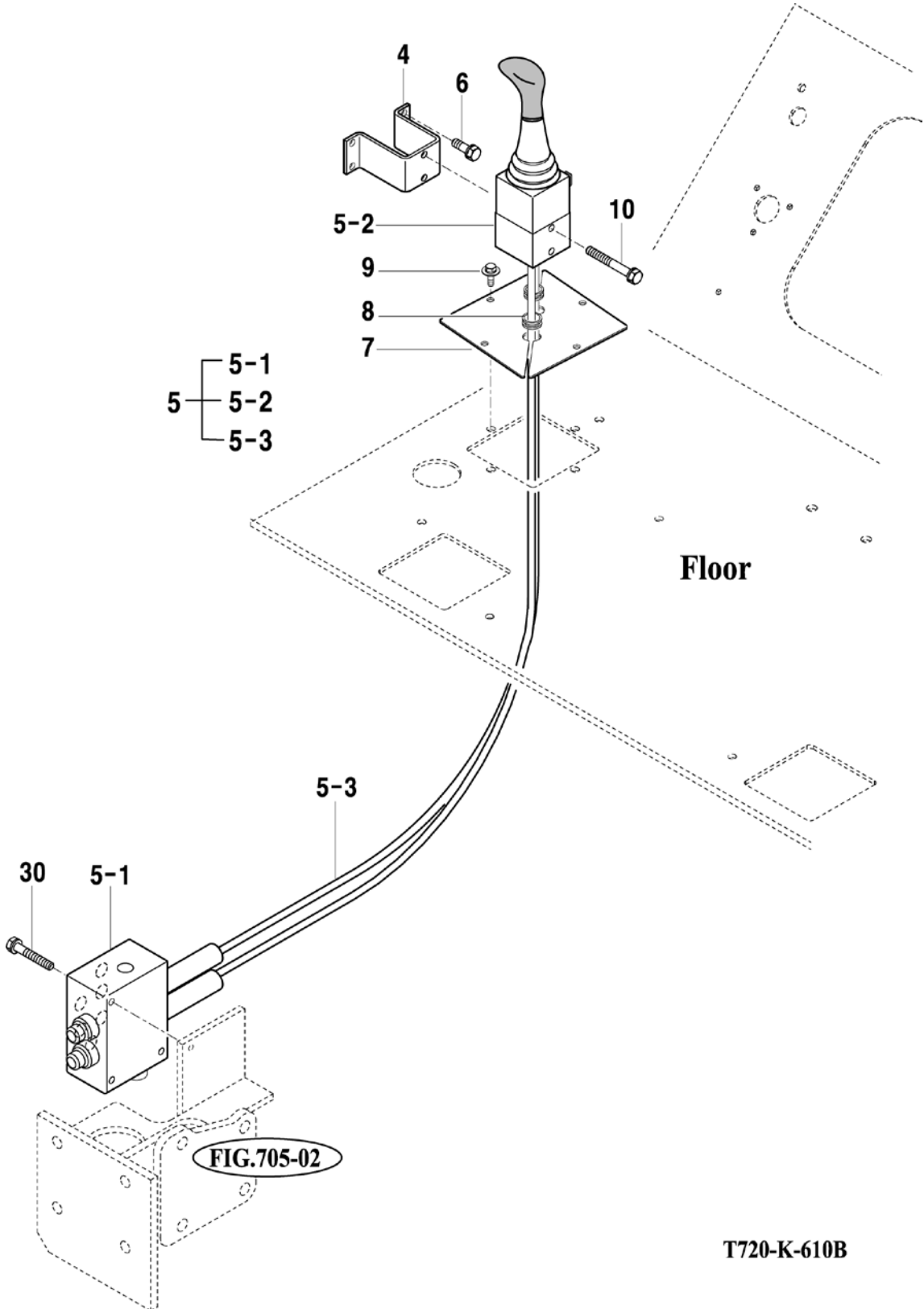
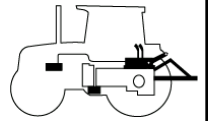
T7074

**JOYSTICK**

P1

Month/Year

02 / 2006



**T720-K-610B**

NOTE



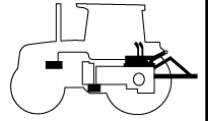
# FIG 611

# P.T.O VALVE & RELIEF VALVE

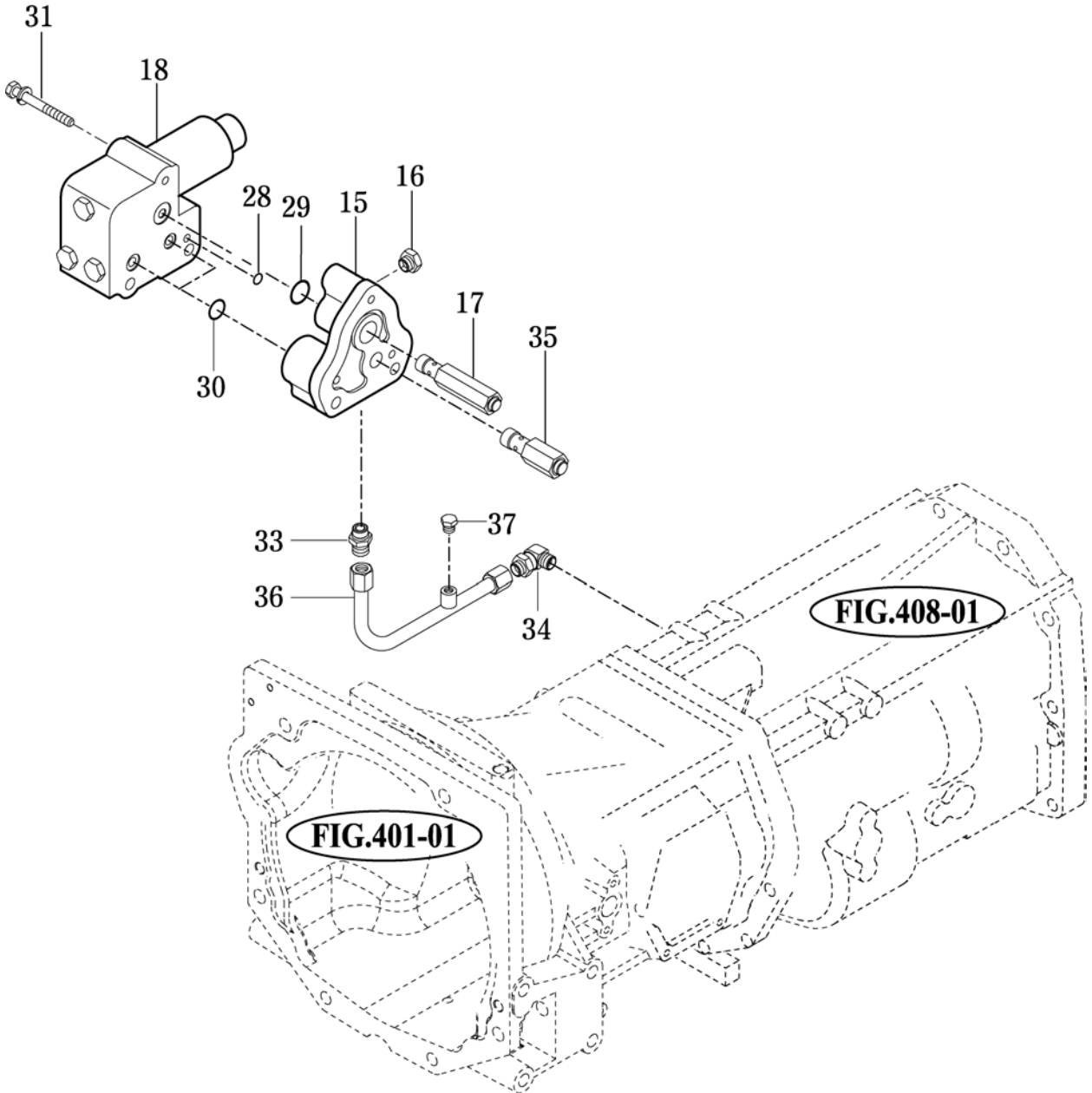
P1

Month/Year

02 / 2006



T7074



T7074-E-611A

NOTE





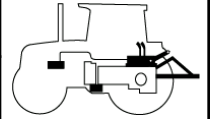
# FIG 612

# HITCH & 3-POINT LINK

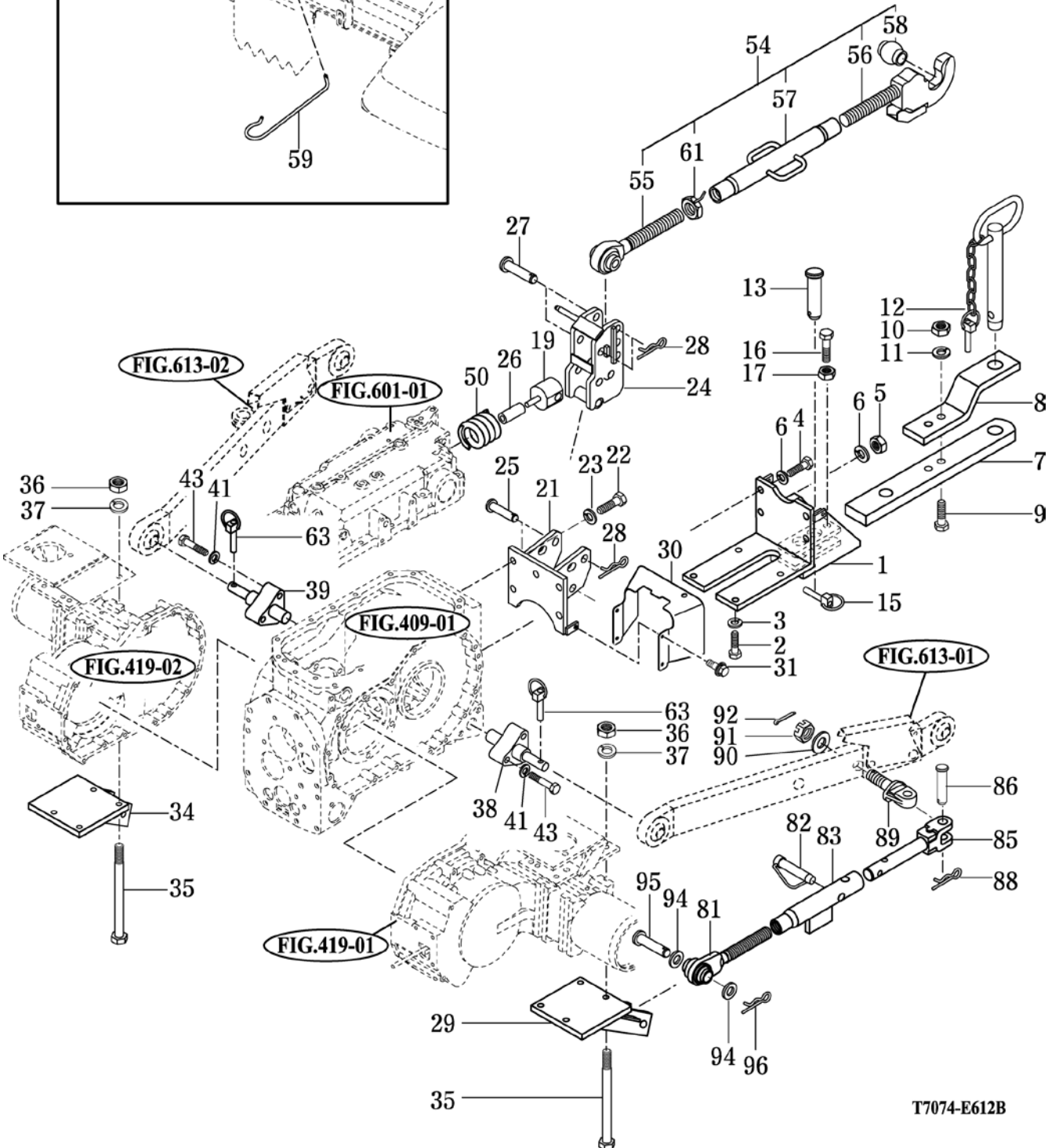
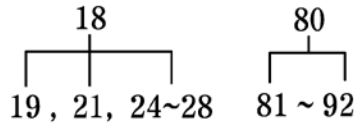
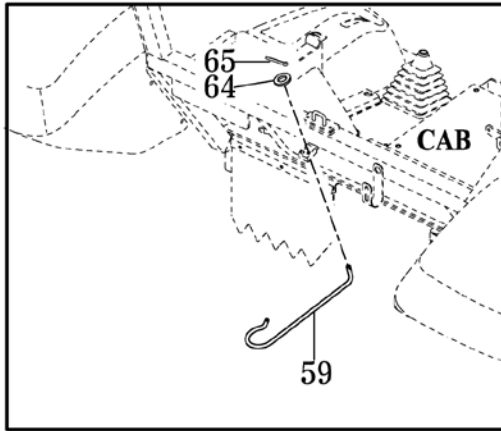
P1

Month/Year

02 / 2006

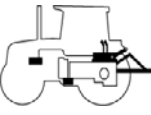


T7074



T7074-E612B

NOTE

FIG 612		HITCH & 3-POINT LINK			P1	Month / Year	
T7074						02 / 2006	
KEY NO.	PART NO.	DESCRIPTION	SPEC.	Q'TY.	REPAIR	EFFECTIVE DATE	REMARKS
612 001	18995202000C	BRACKET COMP , DRAW		1			
612 002	V2013614035	BOLT , HEX	M14X35	4			
612 003	V4011600140	WASHER , SPRING	M14	4			
612 004	V2013616035	BOLT , HEX	M16X35	2			
612 005	V3043600160	NUT , HEX/2	M16	2			
612 006	V4011600160	WASHER , SPRING	M16	4			
612 007	18992470010	LINK , DRAW BAR		1			
612 008	1899247002GE	LINK , HITCH		1			
612 009	V2004616080	BOLT , HEX	M16X80	2			
612 010	15189240010	NUT , U	M16	2			
612 011	V4011600160	WASHER , SPRING	M16	2			
612 012	S0973063031	PIN ASSY		1			
612 013	15062470050	PIN , DRAW BAR		1			
612 015	14215020020	PIN , LINK		1			
612 016	V2013610030	BOLT , HEX	M10X30	1			
612 017	V3043600100	NUT , HEX/2	M10	1			
612 018	17685200501	BRACKET SUB		1			
612 019	17685223100C	GUIDE COMP		1			
612 021	17685222001G	BRACKET COMP		1			
612 022	V2013616035	BOLT , HEX	M16X35	5			
612 023	V4011600160	WASHER , SPRING	M16	5			
612 024	17685222103C	BRACKET COMP		1			
612 025	15645250010	PIN , 19X122		2			
612 026	17995220990	RUBBER , GUIDE		1	B		
612 027	15645220020	PIN , 19X95		2			
612 028	14445140051	PIN , 19		4			
612 029	17685254100G	BRACKET COMP , LH		1			
612 030	17665200010G	COVER , SHIELD		1			
612 031	V2183608016	BOLT , HEX/SP	M8X16	4			
612 034	17685254200C	BRACKET COMP . RH		1			
612 035	V2014612185	BOLT , HEX	M12X185	8			
612 036	V3043600120	NUT , HEX	M12	8			
612 037	V4011600120	WASHER , SPRING	M12	8			
612 038	17405252710	PIN , LOWER LINK		1			
612 039	17405252810	PIN , LOWER LINK		1			
612 041	V4011600140	WASHER , SPRING	M14	6			
612 043	V2013614060	BOLT , HEX	M14X60	6			
612 050	15685100020C	SPRING , HC 067		1			
612 054	17995201002	LINK ASSY . TOP LINK		1			
612 055	17995201300	ROD COMP , RH		1			
612 056	17995201100	ROD COMP , LH		1			
612 057	17995201202	SLEEVE COMP		1			
612 058	17995201500	BALL , TOP LINK		1			
612 059	17684505502	STOPPER		1			
612 061	17995201400	NUT , LOCK M12		1			
612 063	14215020020	PIN , LINK		2			
612 064	V4111600060	WASHER , PLAIN		1			
612 065	V5001925015	PIN , SPLIT		1			
NOTE							

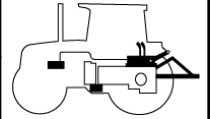
# FIG 612

# HITCH & 3-POINT LINK

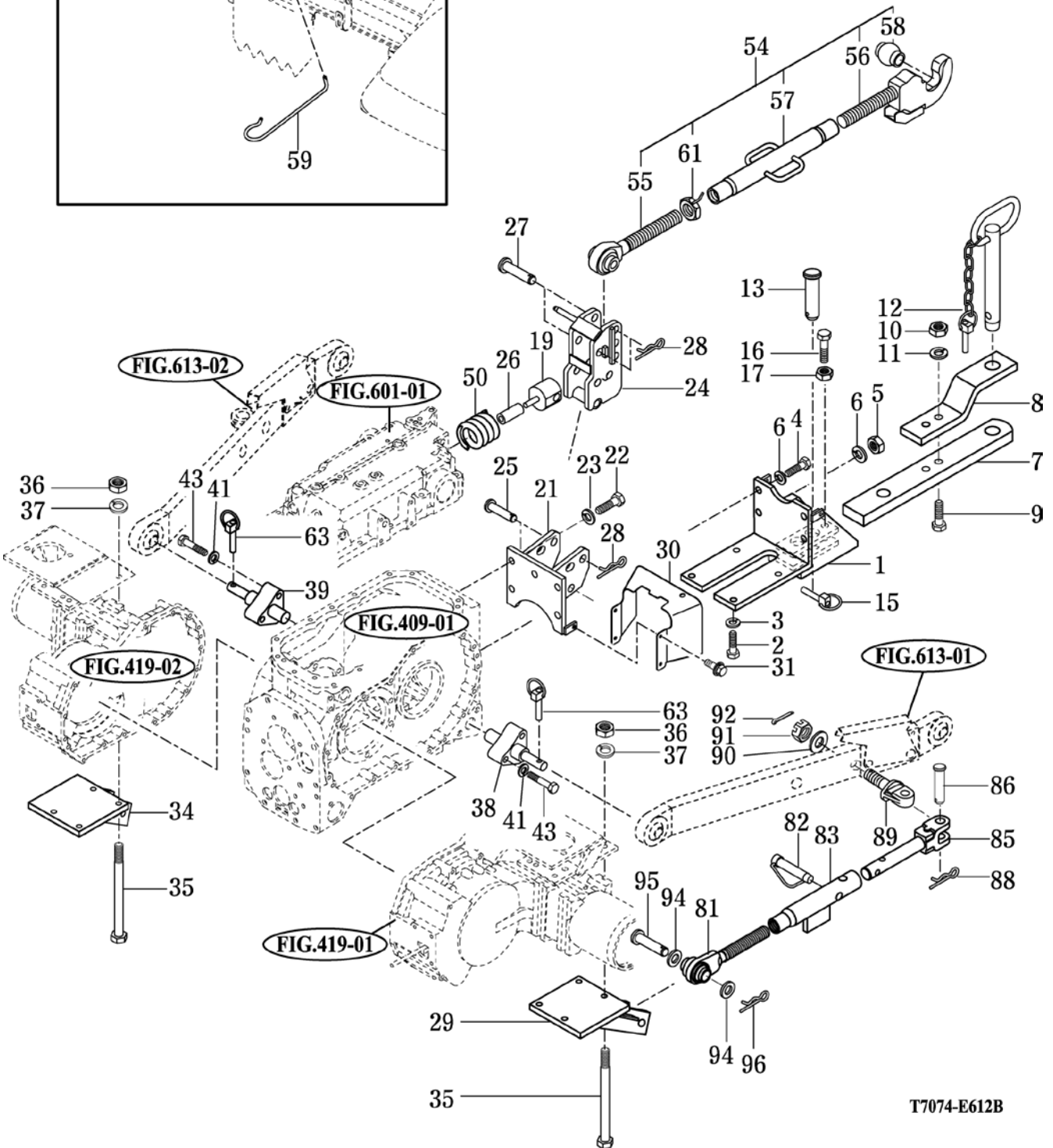
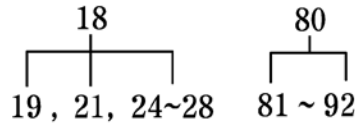
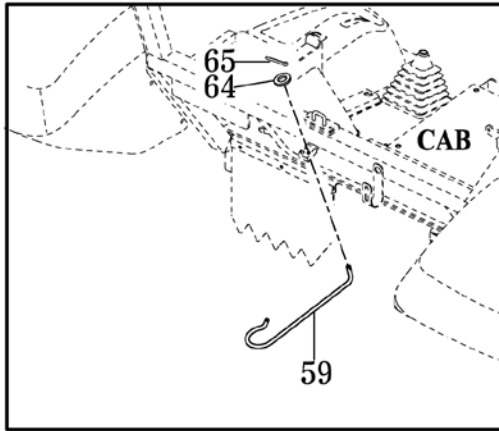
P2

Month/Year

02 / 2006



T7074



T7074-E612B

NOTE



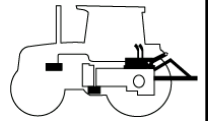
# FIG 613

# LOWER LINK & LIFT ROD

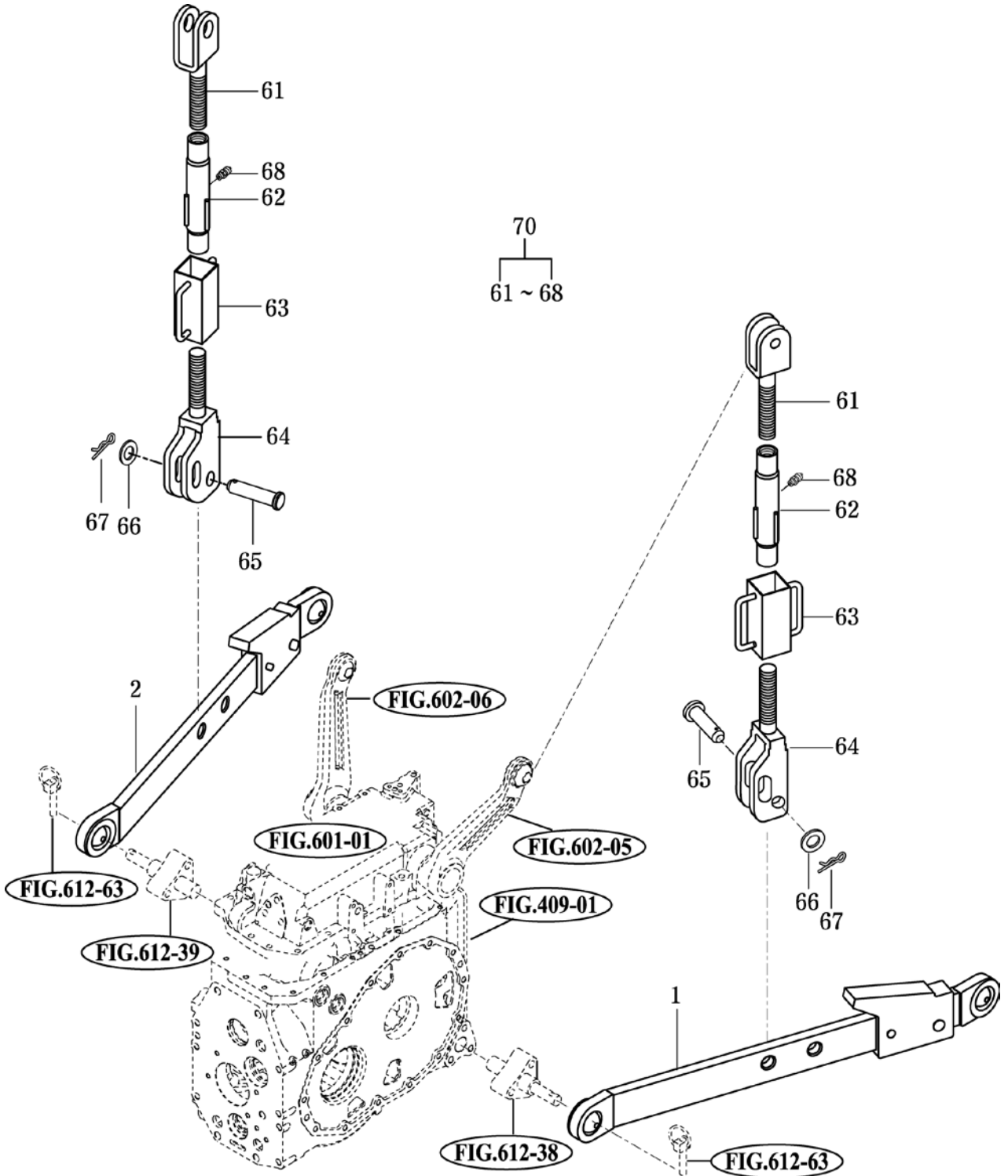
P1

Month/Year

02 / 2006



T7074



T7074-E-613A

NOTE



FIG 701

BONNET (1)

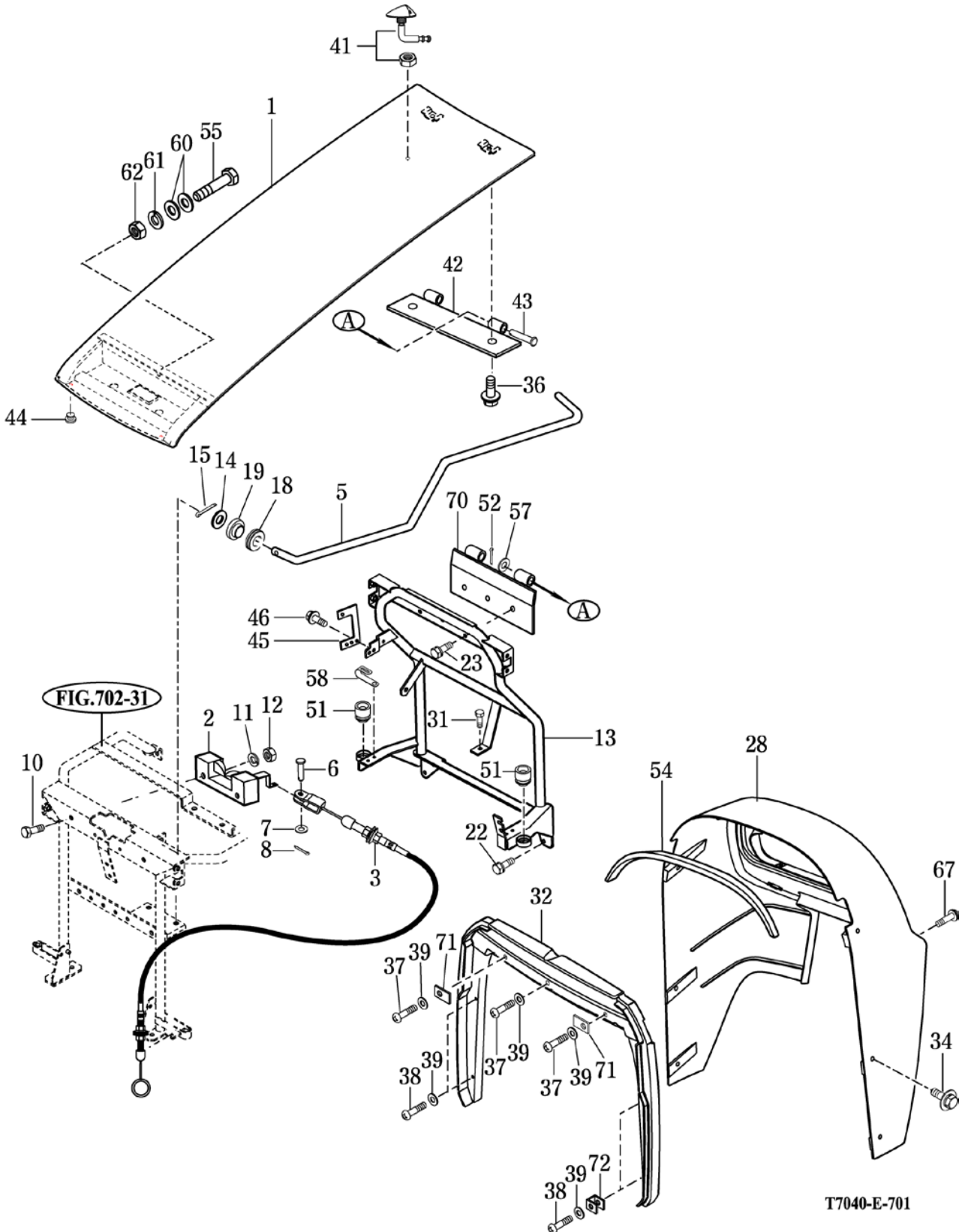
P1

Month/Year

02 / 2006



T7074



T7040-E-701

NOTE


FIG 701		BONNET ( 1 )			P1	Month / Year	
T7074						02 / 2006	
KEY NO.	PART NO.	DESCRIPTION	SPEC.	Q'TY.	REPAIR	EFFECTIVE DATE	REMARKS
701 001	17686201001M	HOOD COMP		1			
701 002	17686020600	LOCK COMP . HOOD		1			
701 003	17686020650	CABLE ASSY , HOOD		1	C		
701 005	17686020680	STAND . HOOD		1			
701 006	15601160083	PIN , 06X16		1			
701 007	V4111600060	WASHER , PLAIN	M6	1			
701 008	V5001920020	PIN , SPLIT	2X20	1			
701 010	V2053606040	BOLT , HEX C/R	M6X40	2			
701 011	V4011600060	WASHER , SPRING	M6	2			
701 012	V3002600060	NUT , HEX/1	M6	2			
701 013	17686052000G	FRAME COMP . HOOD		1			
701 014	V4111600100	WASHER , PLAIN	M10	1			
701 015	V5001925025	PIN , SPLIT	2.5X25	1			
701 018	14046210300	GROMMET		1			
701 019	36576180050	RUBBER , CUSHION		1			
701 022	V2173608025	BOLT , HEX/S	M8X25	4			
701 023	V2173608025	BOLT , HEX/S	M8X25	2			
701 028	17686130021	COVER , DASH		1			
701 031	16995154060	BOLT , HEX	3/8-16UNC	1			
701 032	17686301043	INSULATOR , HOOD		1			
701 034	V2193606016	BOLT , HEX/SPL	M6X16	4			
701 036	V2183608020	BOLT , HEX/SP	M8X20	2			
701 037	V1112605020	SCREW , C/R PAN	M5X20	3			
701 038	V1112605040	SCREW , C/R PAN	M5X40	4			
701 039	V4111600050	WASHER , PLAIN	M5	7			
701 041	16997027700	NOZZLE SET		1			
701 042	17686054500G	BRACKET COMP . B		1			
701 043	16996024552	PIN		2			
701 044	16996013431	RUBBER , CUSHION		2			
701 045	16796024601G	BRACKET COMP , FUSE		1			
701 046	V2183608016	BOLT , HEX/SP	M8X16	2			
701 051	16996015511	RUBBER , GUARD		2			
701 052	V5001925020	PIN , SPLIT	2.5X20	2			
701 054	17686024720	INSULATOR		1			
701 055	16996204570	BOLT , FIXED HOOD		1			
701 057	16991600080	WASHER , HOOD FRAME	M8	2			
701 058	14256210040	CLAMP , HARNESS		2			
701 060	V4111600120	WASHER , PLAIN	M12	2			
701 061	V4011600120	WASHER , SPRING	M12	1			
701 062	V3042600120	NUT , HEX/2	M12	1			
701 067	V1222608020	SCREW , C/R PAN/SP	M8X20	2			
701 070	17686057000G	BRACKET COMP . A		1			
701 071	17686300080G	PLATE , FIX		2			
701 072	17686300090G	PLATE , FIX		4			
NOTE							



FIG 702

BONNET (2)

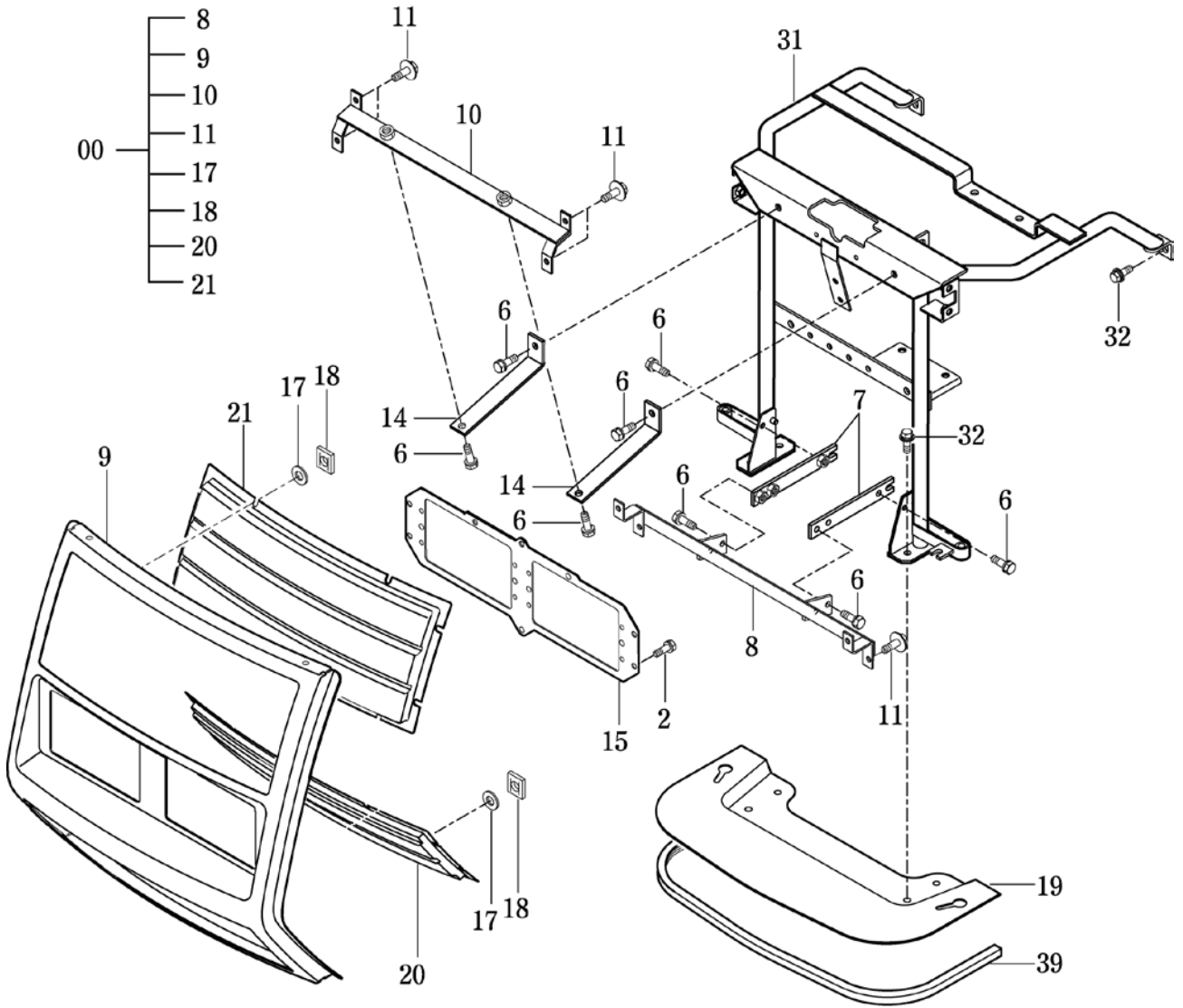
P1

Month/Year

02 / 2006



T7074



T552/T552NC -K-702A

NOTE



FIG 703

SIDE COVER

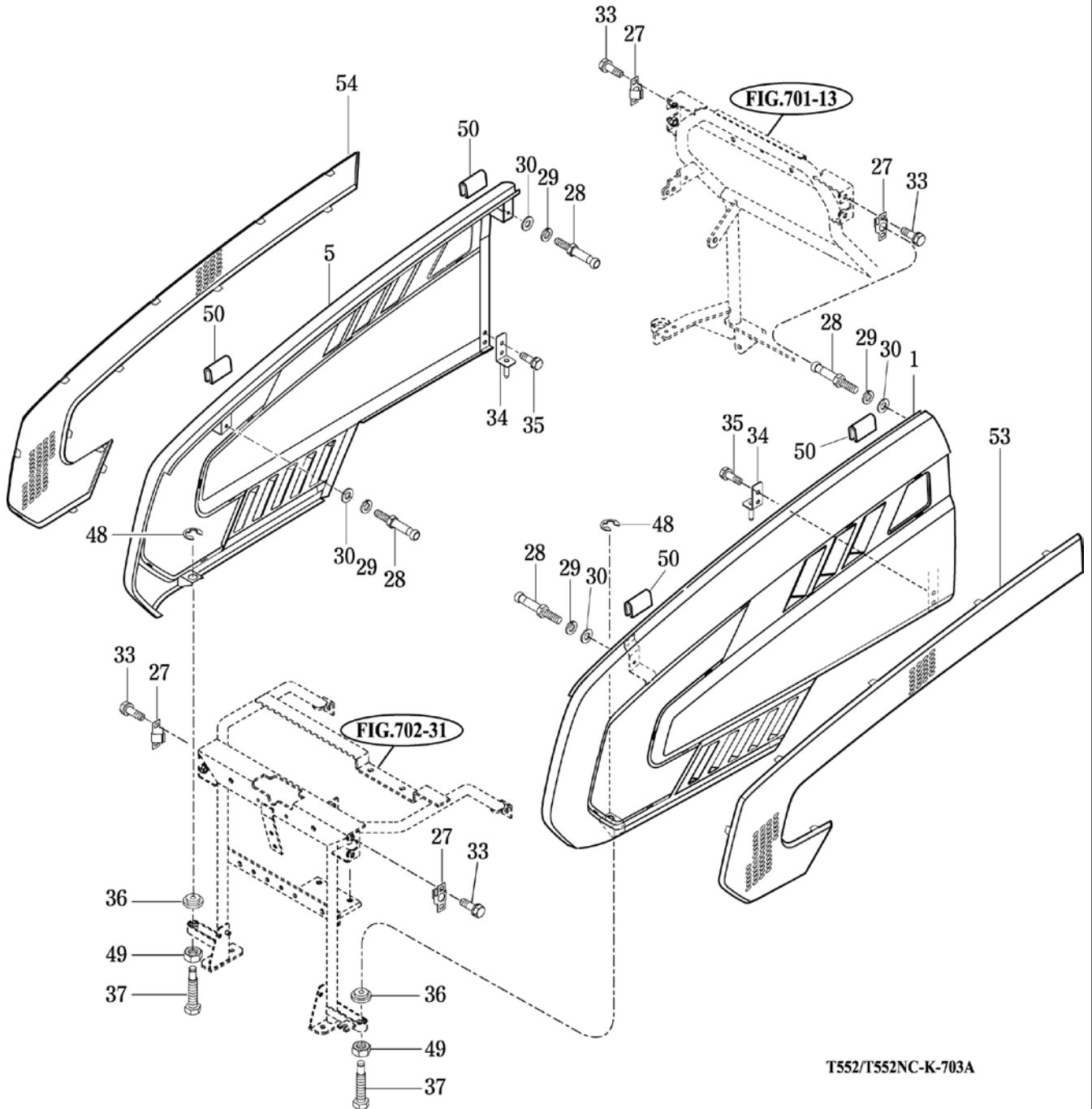
P1

Month/Year

02 / 2006



T7074



T552/T552NC-K-703A

NOTE



FIG 704

LEVER COVER

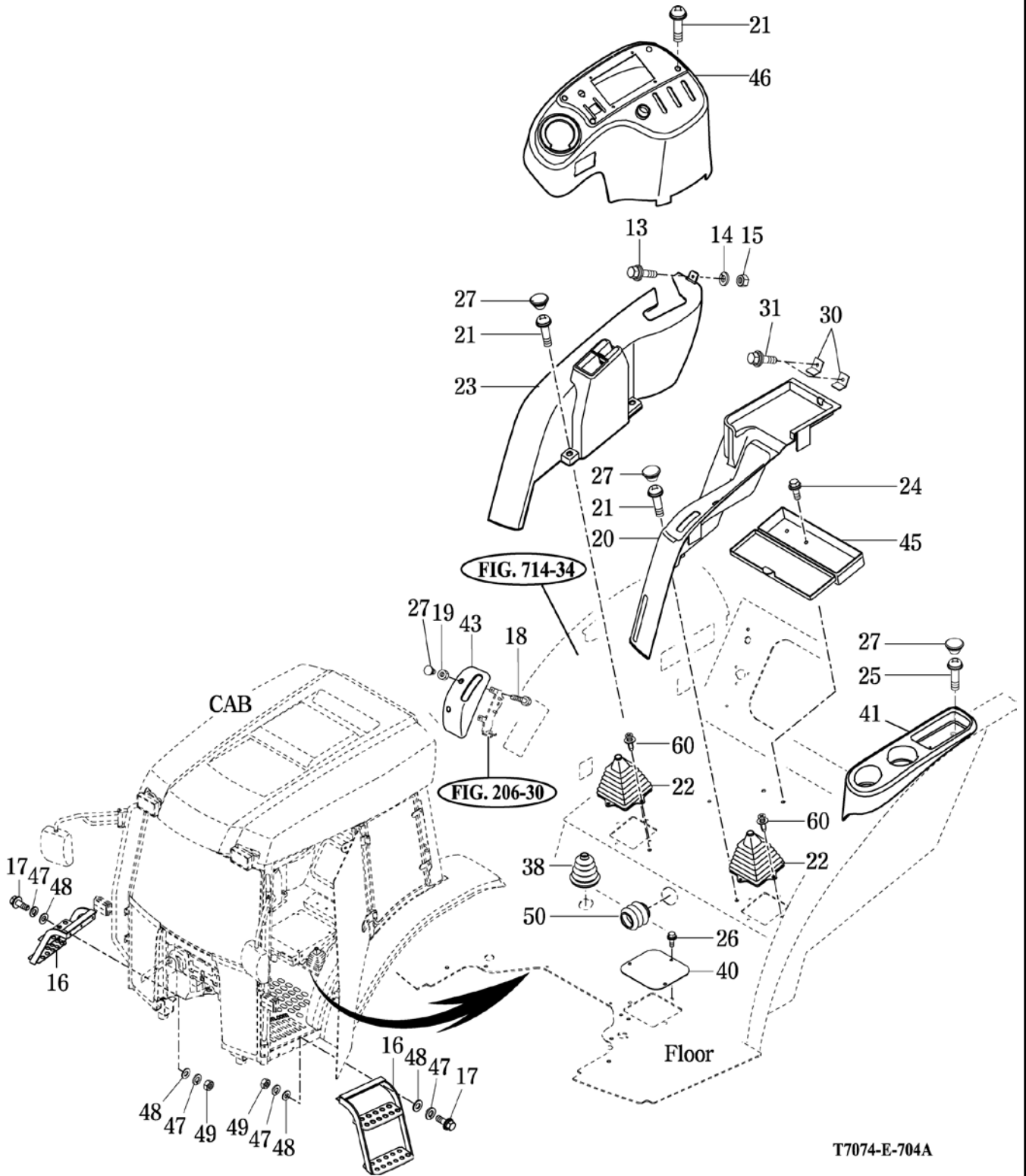
P1

Month/Year

02 / 2006



T7074



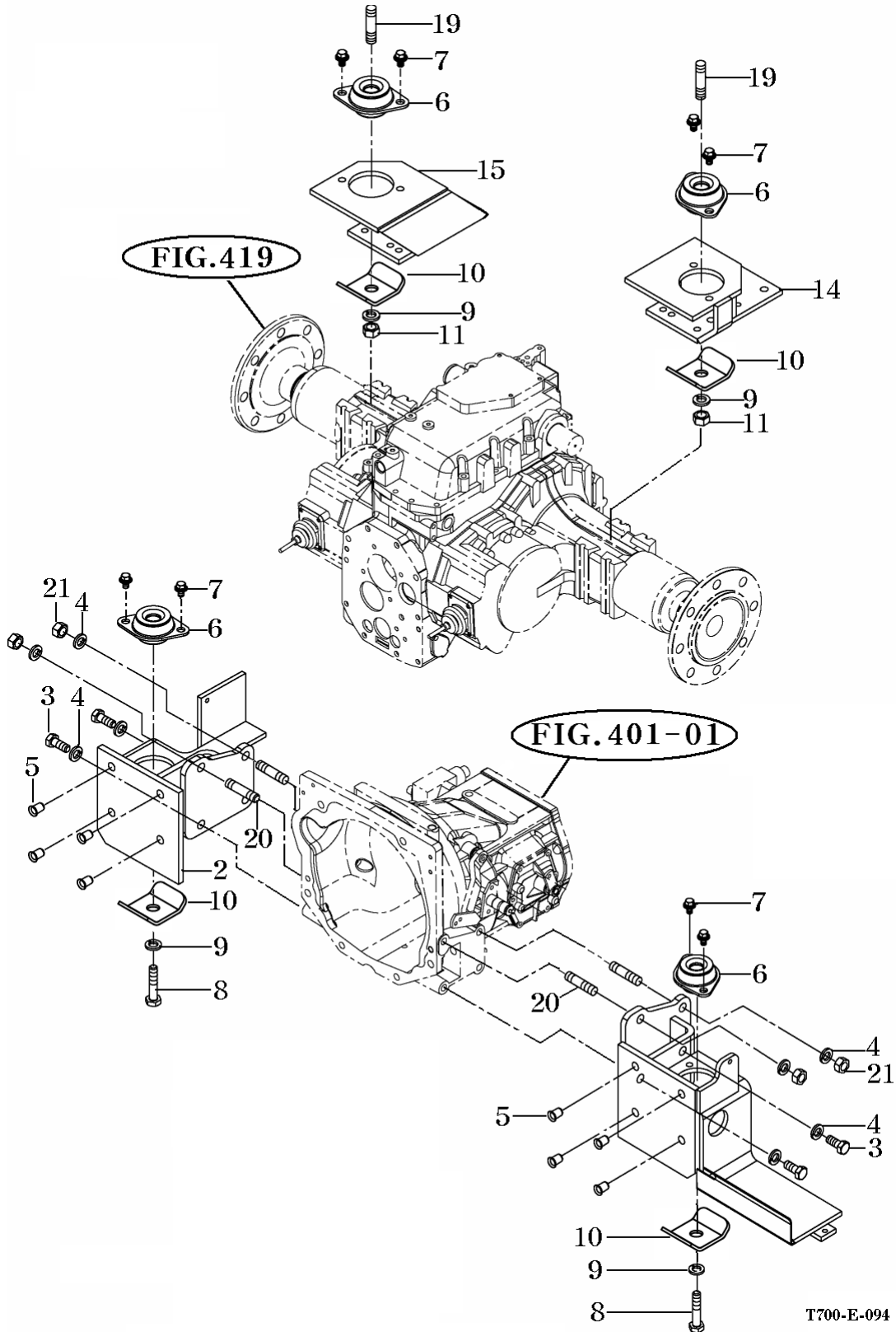
T7074-E-704A

NOTE





T7074



T700-E-094

NOTE





# FIG 706

# FLOOR & SEAT

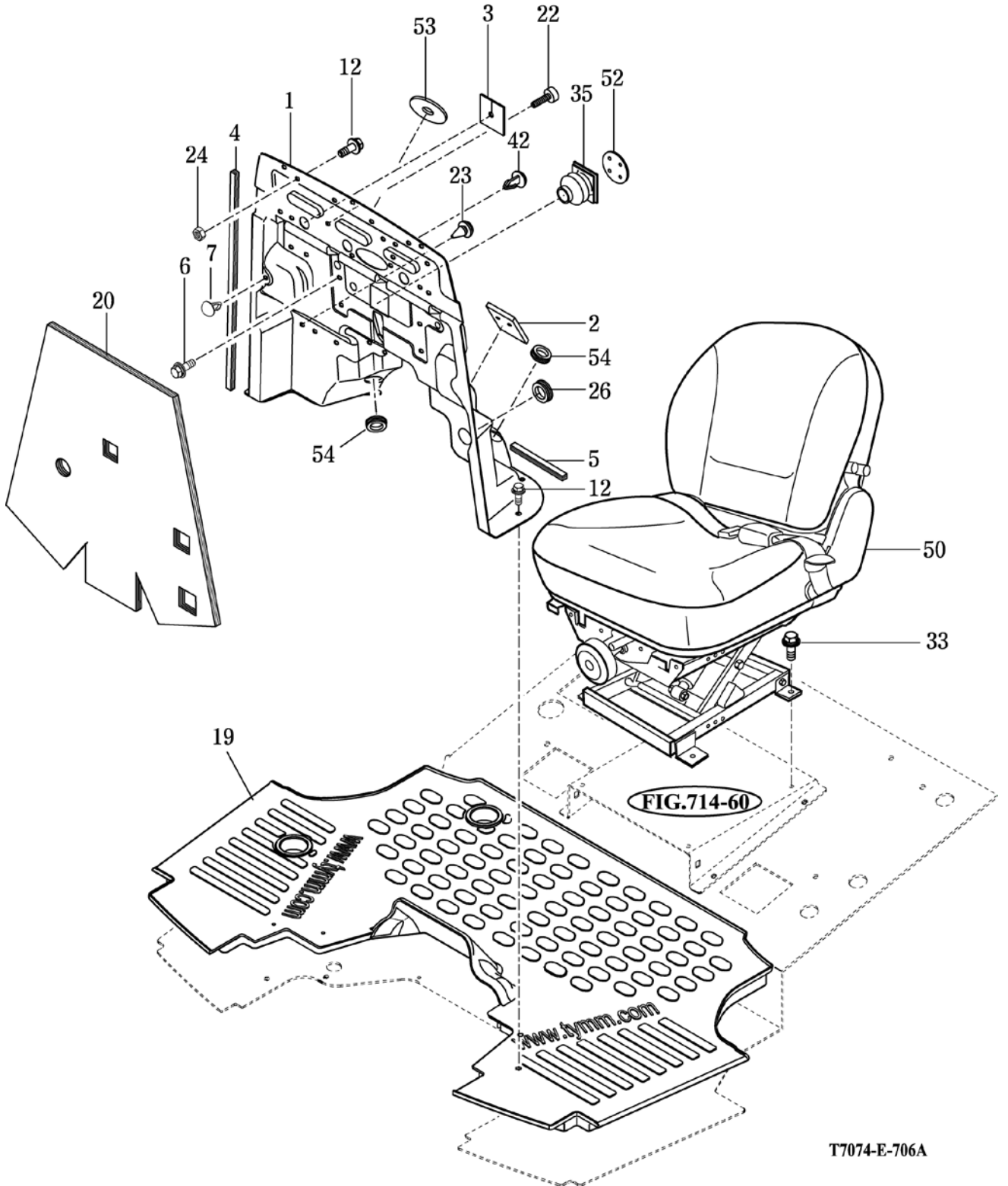
P1

Month/Year

02 / 2006



T7074



T7074-E-706A

NOTE



FIG 707

FRAME & REAR GLASS

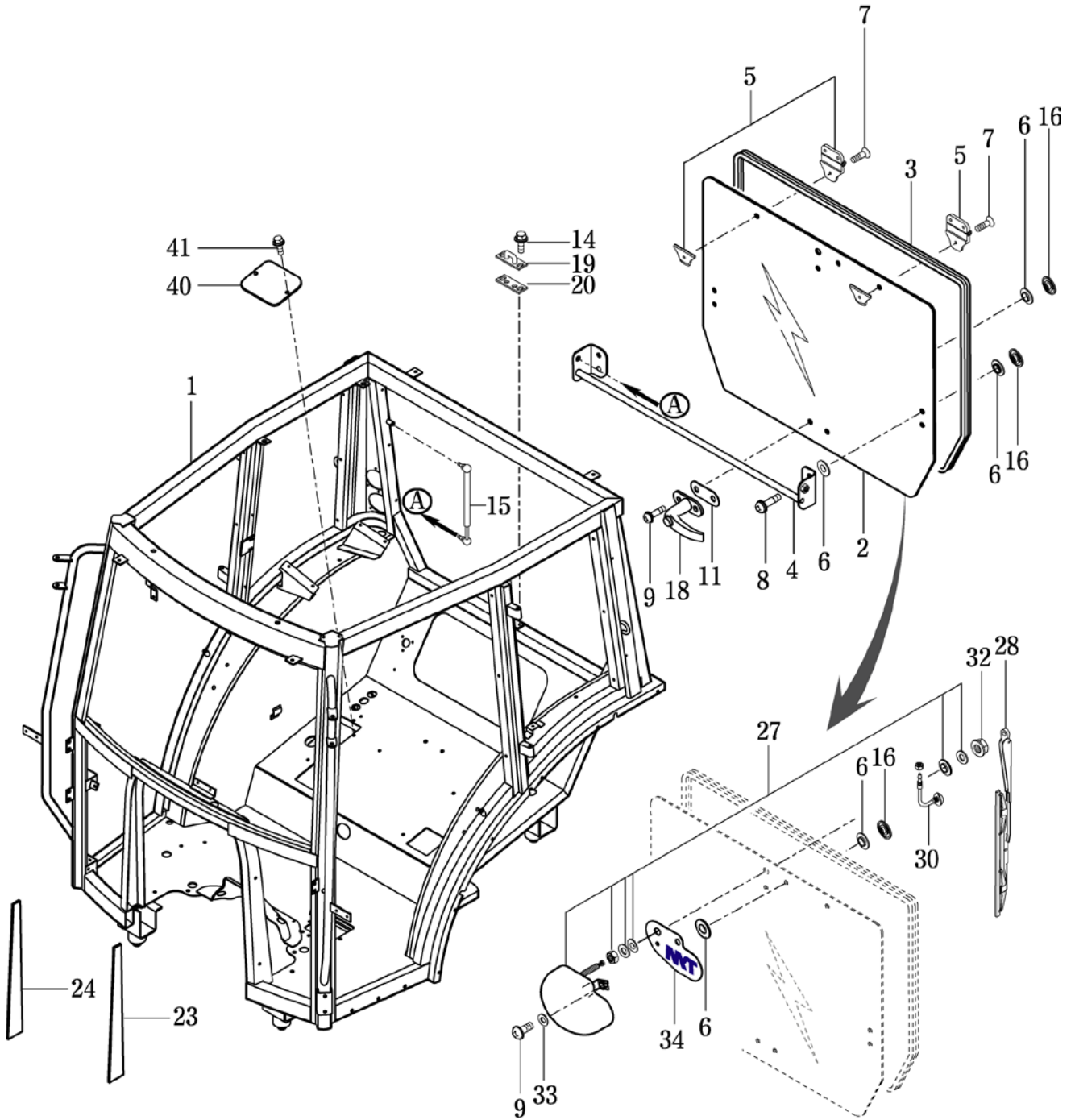
P1

Month/Year

02 / 2006



T7074



T7074-E-707A

NOTE



FIG 708

SIDE GLASS

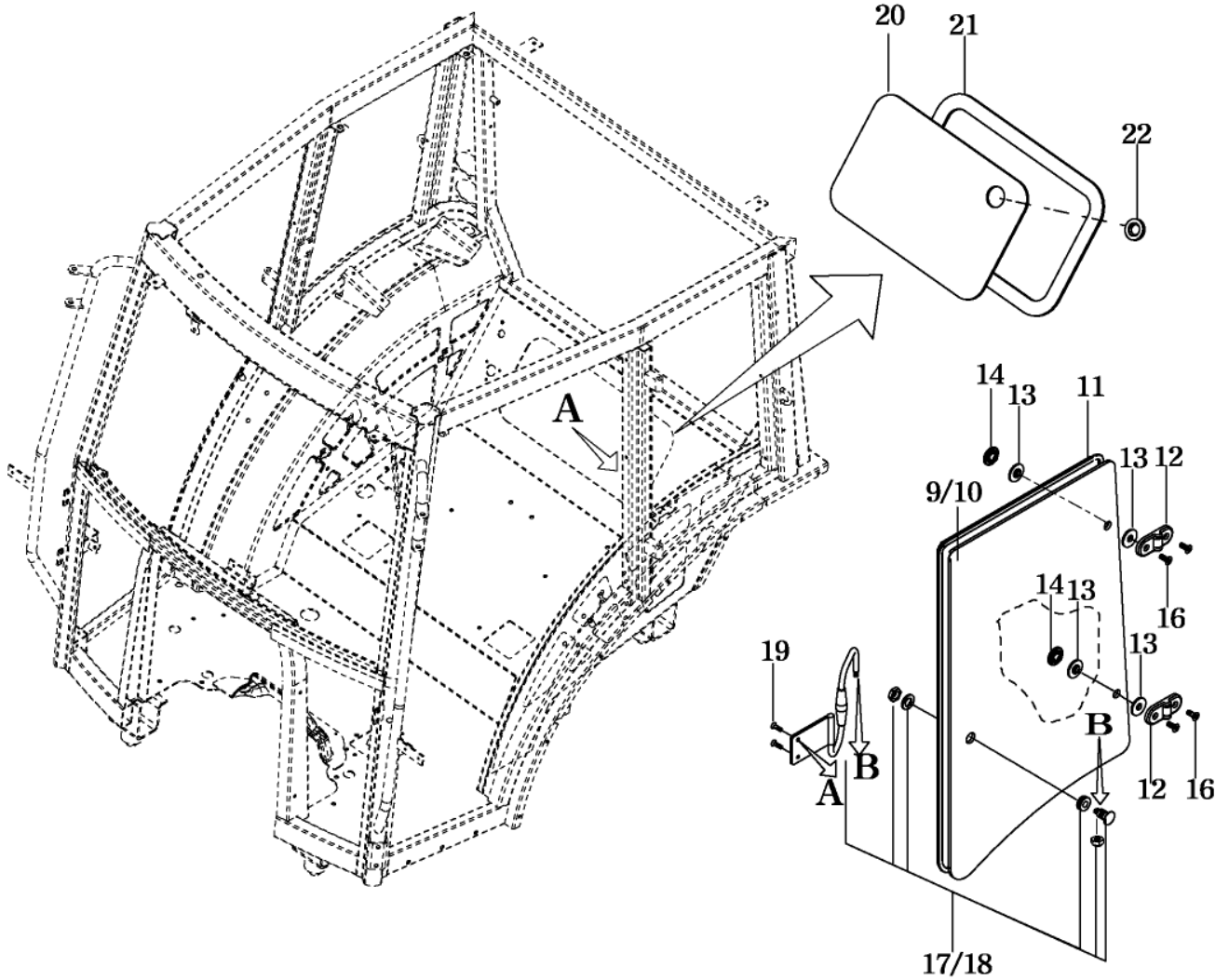
P1

Month/Year

02 / 2006



T7074



T720-K-708A

NOTE



FIG 709

DOOR

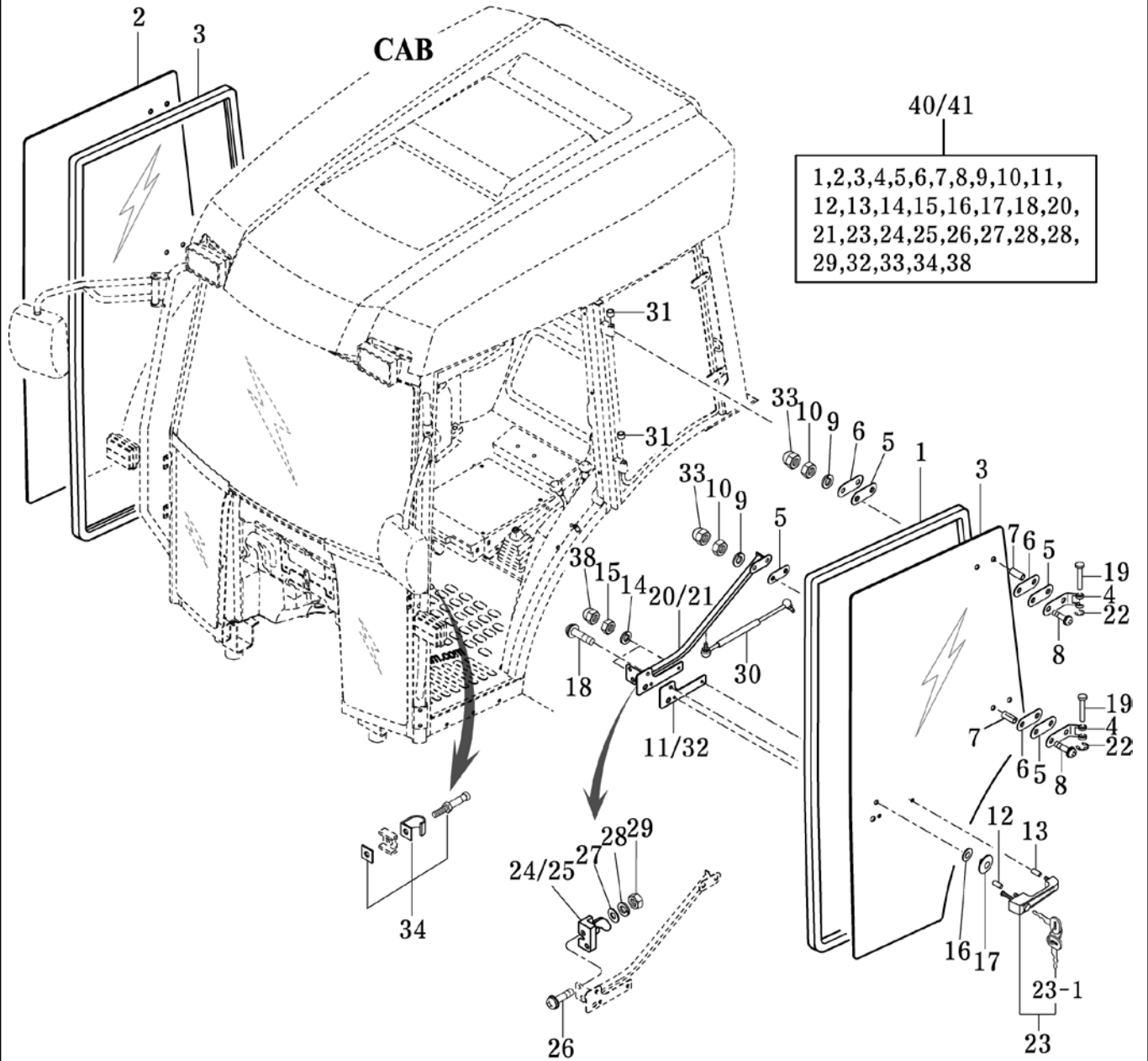
P1

Month/Year

02 / 2006



T7074



T720-K-709A

NOTE





FIG 710

FRONT GLASS

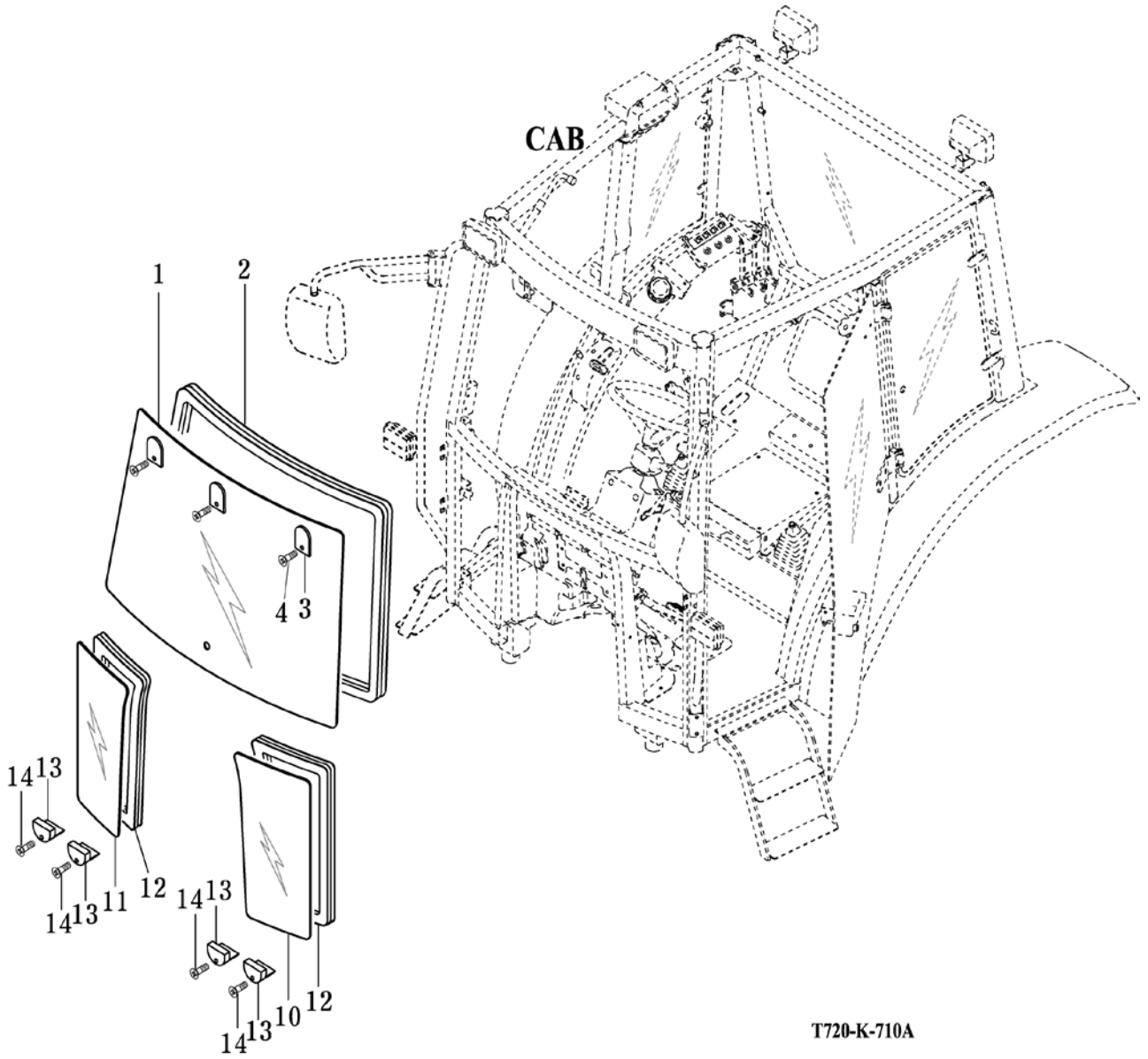
P1

Month/Year

02 / 2006



T7074



T720-K-710A

NOTE



FIG 711

SUB FENDER & COVER

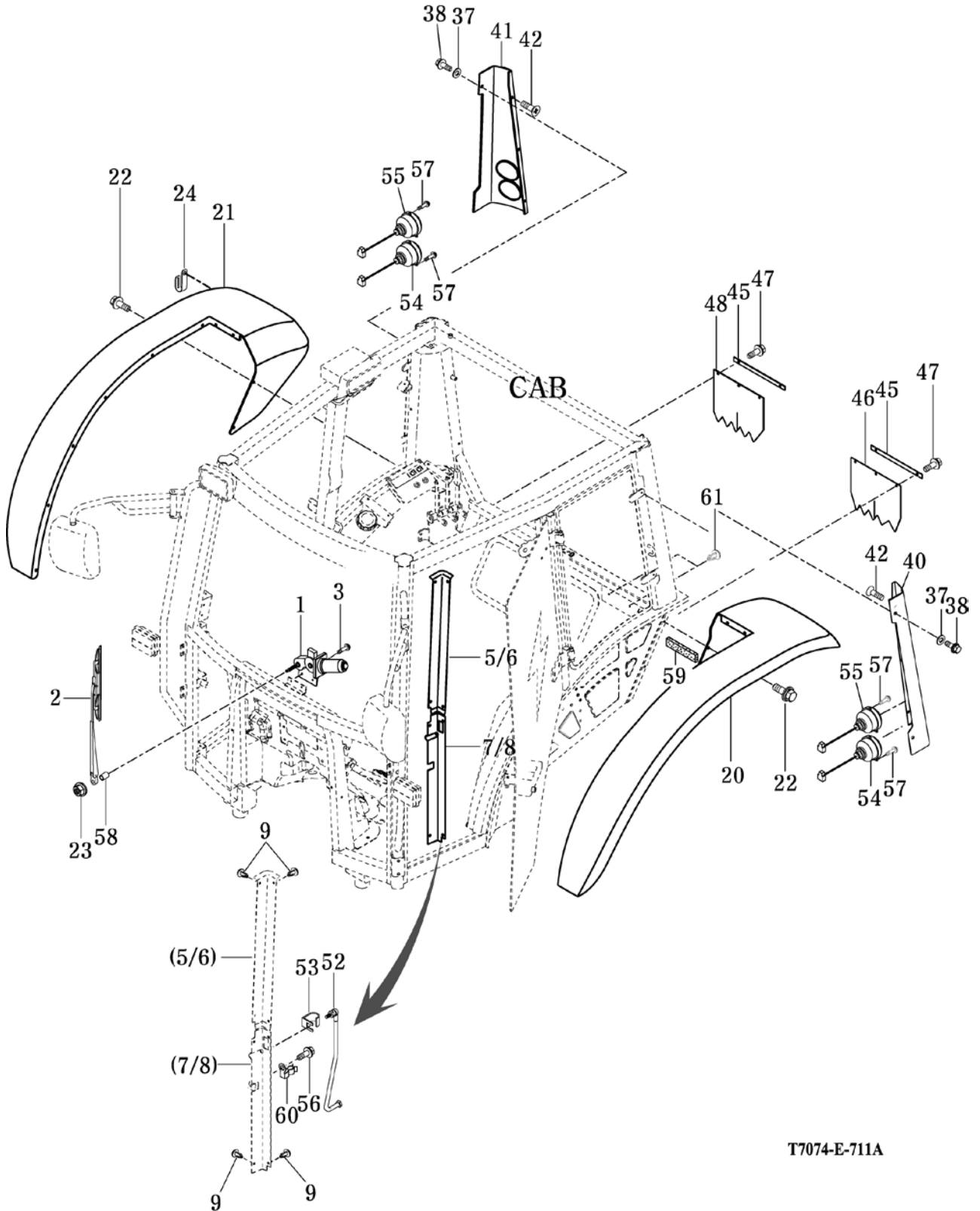
P1

Month/Year

02 / 2006



T7074



T7074-E-711A

NOTE



# FIG 712

# CONTROL COVER

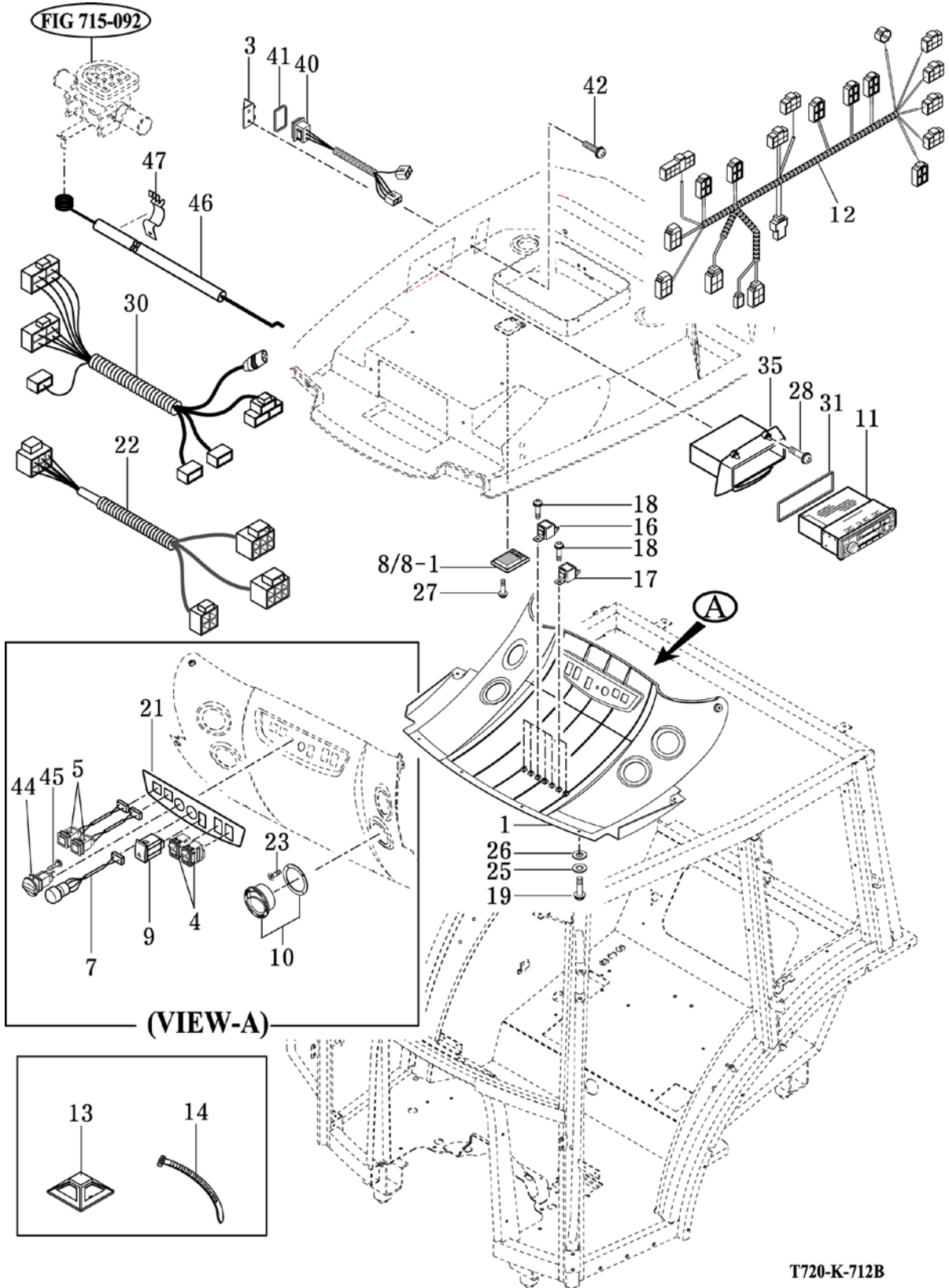
P1

Month/Year

02 / 2006



T7074



T720-K-712B

NOTE



FIG 713

ROOF

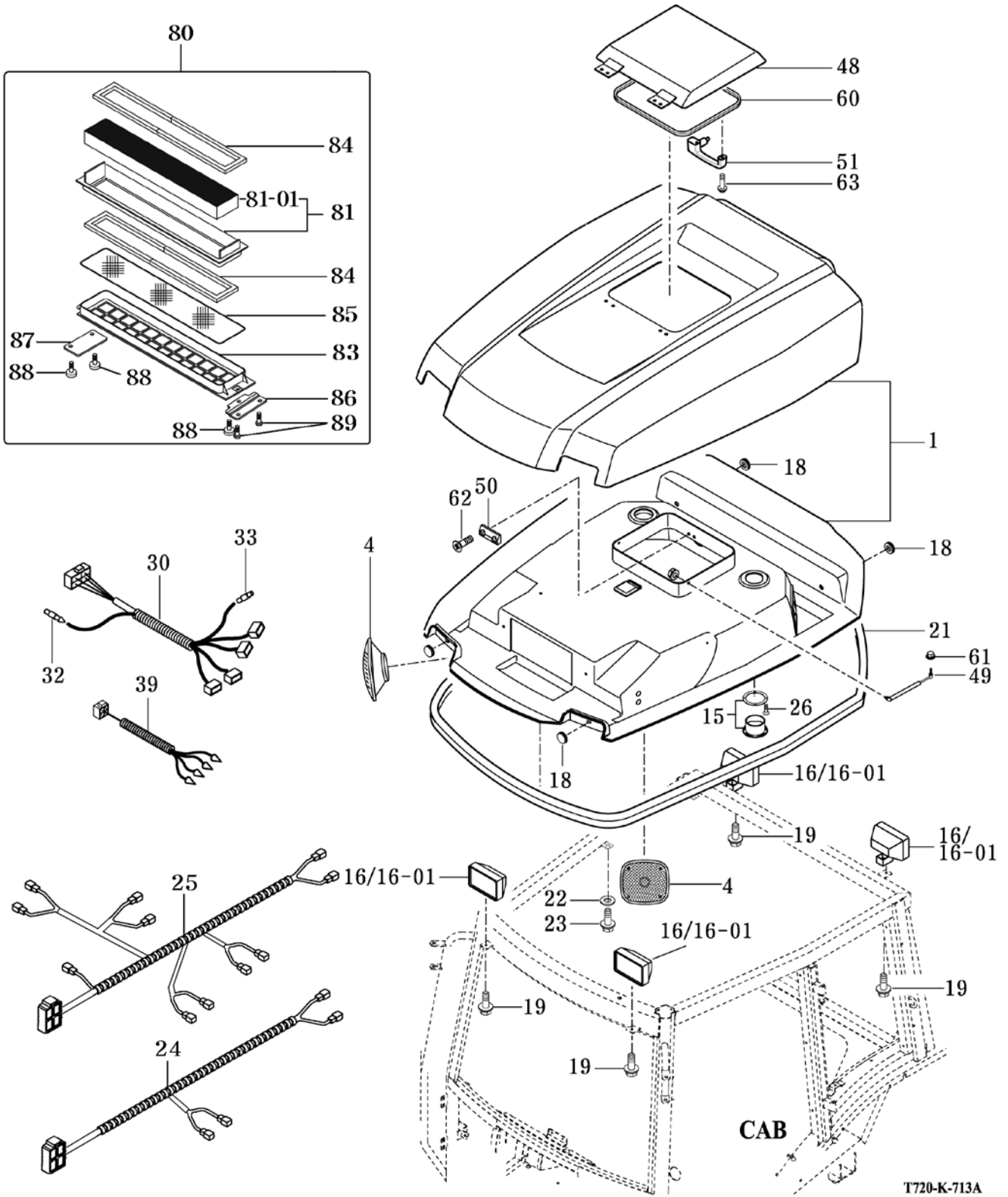
P1

Month/Year

02 / 2006



T7074



T720-K-713A

NOTE





FIG 714

INTERIOR PART

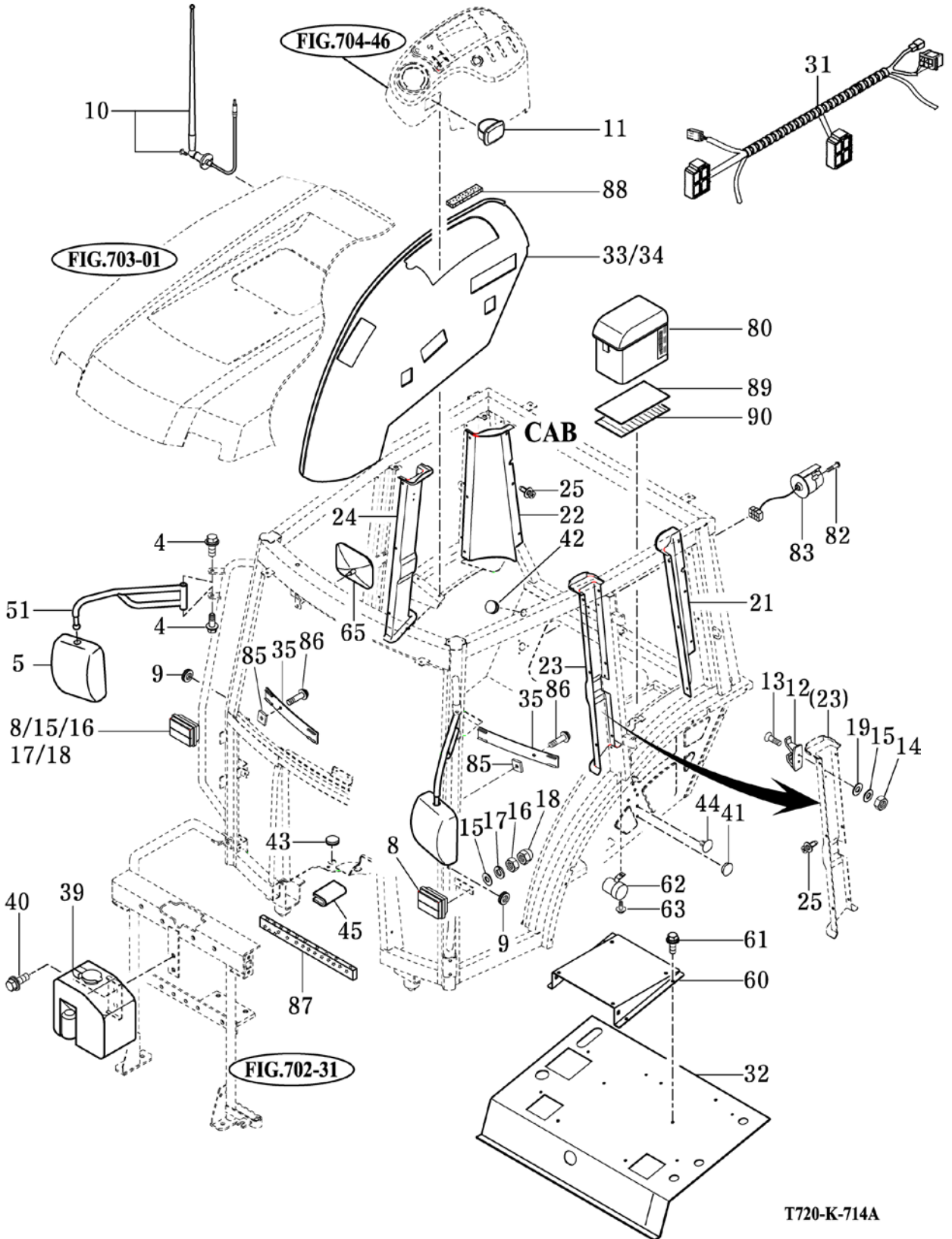
P1

Month/Year

02 / 2006



T7074



T720-K-714A

NOTE

FIG 714		INTERIOR PART			P1	Month / Year	
T7074						02 / 2006	
KEY NO.	PART NO.	DESCRIPTION	SPEC.	Q'TY.	REPAIR	EFFECTIVE DATE	REMARKS
714 004	V2183612025	BOLT , HEX/SP	M12X25	4			
714 005	17687028601	MIRROR ASSY		2			
714 008	17686562000	LAMP ASSY , COMBINATION		2	C		
714 009	14046210300	GROMMET		2			
714 010	17687026700	ANTENNA ASSY		1			
714 011	17407026800	ASHTRAY ASSY		1			
714 012	17407020630	HANGER		1			
714 013	V1122604020	SCREW , C/R FLAT	M4X20	2			
714 014	V3012600040	NUT , HEX/2	M4	2			
714 015	V4111600050	WASHER , PLAIN	M5	4			
714 016	V3002600050	NUT , HEX/1	M5	4			
714 017	V4011600050	WASHER , SPRING	M5	4			
714 018	V3402700050	NUT , CAP	M5	4			
714 019	V4111600040	WASHER , PLAIN	M4	2			
714 021	17687021711	COVER , PILLAR LH		1			
714 022	17687021721	COVER , PILLAR RH		1			
714 023	17687027300	COVER . LH SIDE		1			
714 024	17687027400	COVER . RH SIDE		1			
714 025	17686040030	RIVET SET		24			
714 031	16997027602	HARNESS ASSY , CAB FRAME		1			
714 032	17687010661	MAT , SEAT LOW		1			
714 033	17687010670	COVER . FENDER LH IN		1			
714 034	17687010680	COVER , FENDER RH IN		1			
714 035	17687010691	COVER , FRAME MID		2			
714 039	17687033100	TANK ASSY . 2MOTOR		1			
714 040	V2193606016	BOLT , HEX/SPL	M6X16	2			
714 041	15276040020	CLIP , TRIM		14			
714 042	14326510210	CAP , RUBBER 20		3			
714 043	16606510210	CAP , RUBBER 30		5			
714 044	16606070031	CAP , 9		10			
714 045	16997021960	INSULATOR , 32		2			
714 051	17687027800GB	STAY COMP . MIRROR		2			
714 060	17687021111GB	BRACKET . SEAT		1			
714 061	V2183608020	BOLT , HEX/SP	M8X20	4			
714 062	16586652000	HORN COMP		1	C		
714 063	V2193606016	BOLT , HEX/SPL	M6X16	1			
714 065	17687025100	MIRROR ASSY . ROOM		1			
714 080	17408102100	COOLER WITH WARMER		1			
714 082	V1112605030	SCREW , C/R PAN	M5X30	3			
714 083	16997028201	SOCKET ASSY		1			
714 085	17687010700	PLATE , COVER FRAME		2			
714 086	16507021950	SCREW , M5X20	M5X20	2			
714 087	17688301750	INSULATOR , DASH PANEL		1			
714 088	16421040010	INSULATOR		10			
714 089	17687015100	TAPE , VALCRO UPPER		1			
714 090	17687015200	TAPE , VALCRO UPPER		1	C		
<b>NOTE</b>							

# FIG 715

# HEATER & AIR-CON

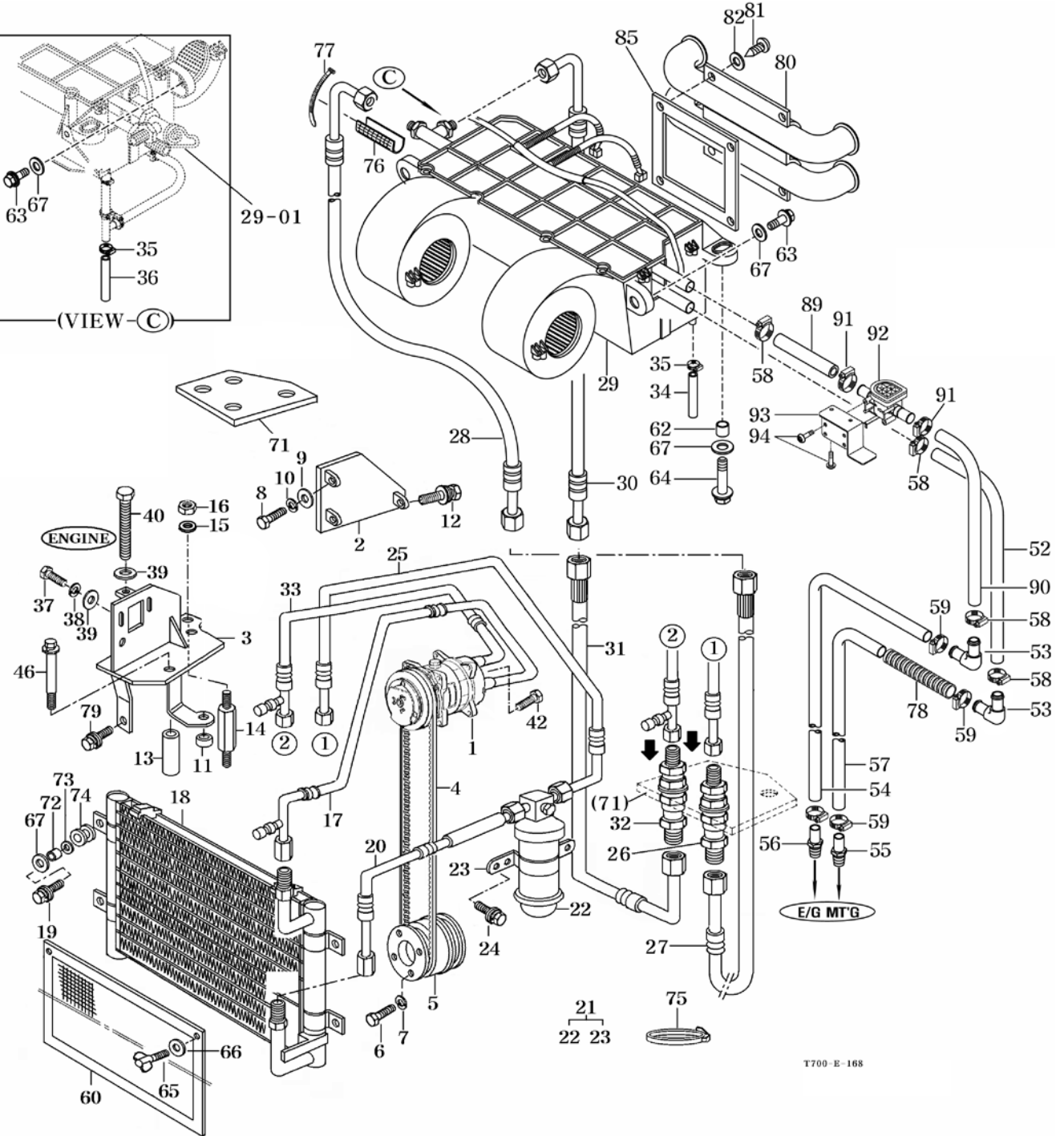
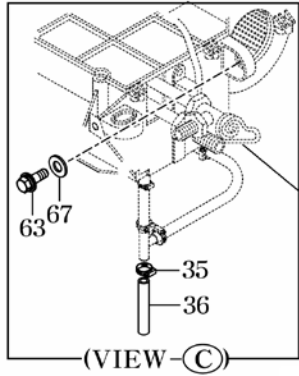
P1

Month/Year


02 / 2006



T7074



NOTE

FIG 715 T7074		HEATER & AIR-CON			P1	Month / Year 02 / 2006	
KEY NO.	PART NO.	DESCRIPTION	SPEC.	Q'TY.	REPAIR	EFFECTIVE DATE	REMARKS
715 001	16608303201	COMPRESSOR ASSY		1			
715 002	16628303302	BRACKET		1			
715 003	17688302100	BRACKET COMP . NO2		1			
715 004	16998300010	V BELT , A61		1	A		
715 005	16998300020	PULLEY , JD3029		1			
715 006	16998300031	BOLT , HEX	3/8-16UNC	4			
715 007	V4011600100	WASHER , SPRING	M10	4			
715 008	V2023610035	BOLT , HEX	M10X35	2			
715 009	V4111600100	WASHER , PLAIN	M10	2			
715 010	V4011600100	WASHER , SPRING	M10	2			
715 011	17401053301	COLLAR , COMPRESSOR		1			
715 012	V2183608025	BOLT , HEX/SP	M8X25	1			
715 013	16998300042	COLLAR , COMPRESSOR		2			
715 014	16998300050	BOLT , SUPPORT		1			
715 015	V4011600100	WASHER , SPRING	M10	3			
715 016	V3343600100	NUT , HEX FINE/2	M10	1			
715 017	17688302201	HOSE ASSY , DISCHARG		1	C		
715 018	16798303700	CONDENSER ASSY		1			
715 019	V2183608025	BOLT , HEX/SP	M8X25	4			
715 020	17408303700	PIPE ASSY		1	C		
715 021	16998303400	BRACKET ASSY		1			
715 022	16608303501	DRYER ASSY		1	B		
715 023	16998303600	BRACKET ASSY		1			
715 024	V2183608020	BOLT , HEX/SP	M8X20	2			
715 025	16998302402	HOSE ASSY		1	C		
715 026	16998302501	COUPLING ASSY , COOL		1			
715 027	16998302603	HOSE ASSY		1	C		
715 028	17688302700	HOSE ASSY , LIQUID D36		1	C		
715 029	17688302800	EVAPORATOR ASSY		1			
715 02901	16998303000	EXPANSION VALVE ASSY		1			
715 030	17688302900	HOSE ASSY , SUCTION		1	C		
715 031	16998303103	HOSE ASSY , SUCTION		1	C		
715 032	16998303201	COUPLING ASSY		1			
715 033	17408303300	HOSE ASSY , SUCTION		1	C		
715 034	16998300060	HOSE , DRAIN		1			
715 035	37481850030	BAND , HOSE 18.5		2			
715 036	16998300090	HOSE , RH DRAIN		1			
715 037	V2024610030	BOLT , HEX FINE	M10X30	3			
715 038	V4011600100	WASHER , SPRING	M10	3			
715 039	V4111600100	WASHER , PLAIN	M10	4			
715 040	W2004610090	BOLT , HEX		1			
715 042	V2023610035	BOLT , HEX	M10X35X1.25P	1			
715 046	16998301180	BOLT , HEX A/C PULLE		2			
715 052	17688200020	HOSE . NO2		1			
715 053	17688200050	ELBOW , 90		2			
715 054	16998200042	HOSE , HEATER		1			
715 055	16998200050	NIPPLE , PT1/2		1			
715 056	16998200061	NIPPLE		1			
NOTE							

# FIG 715

# HEATER & AIR-CON

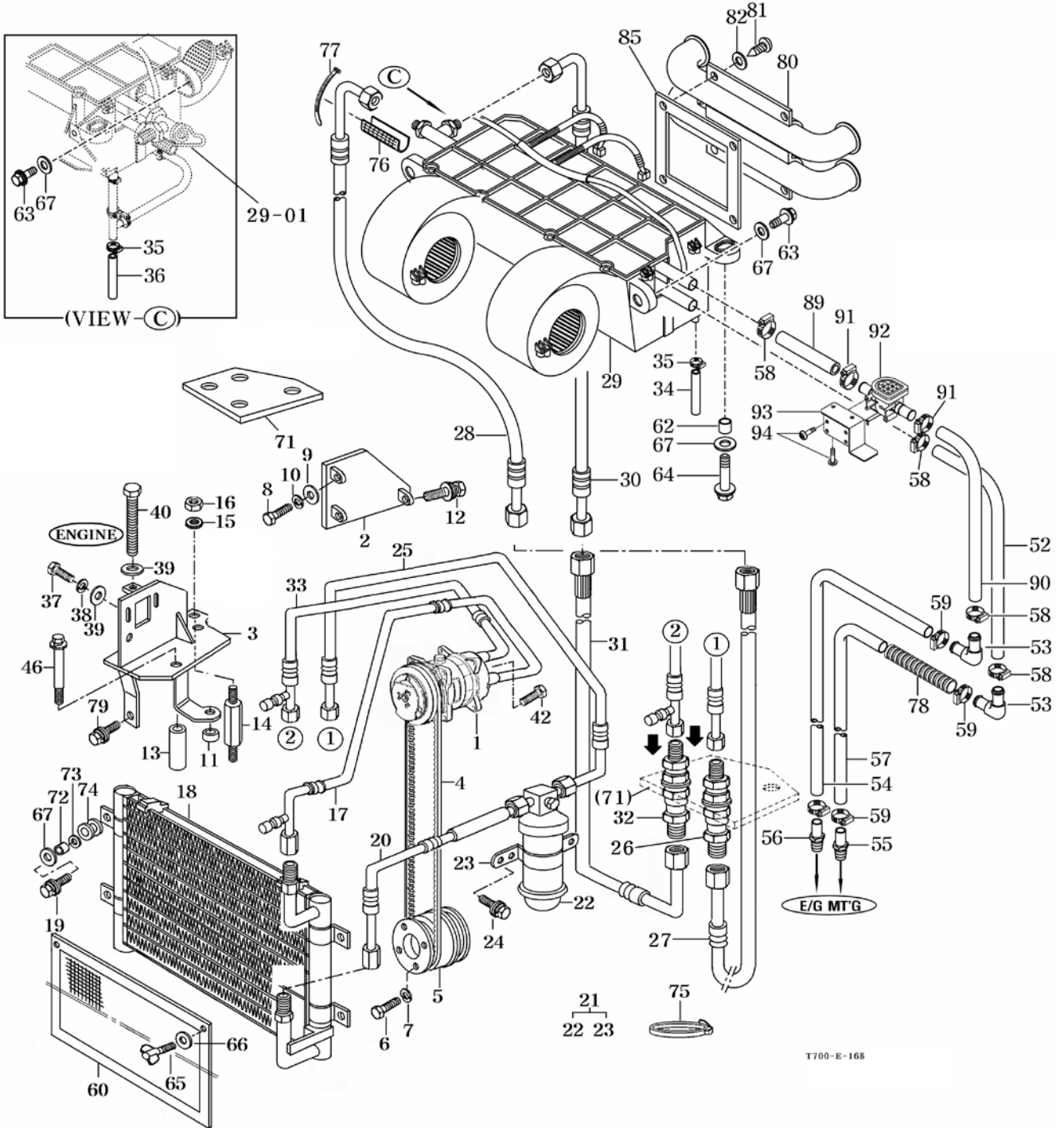
P2

Month/Year

02 / 2006



T7074



T700-E-168

NOTE



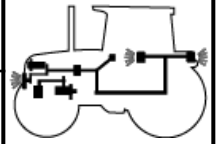
# FIG 801

# BATTERY & MOUNTING

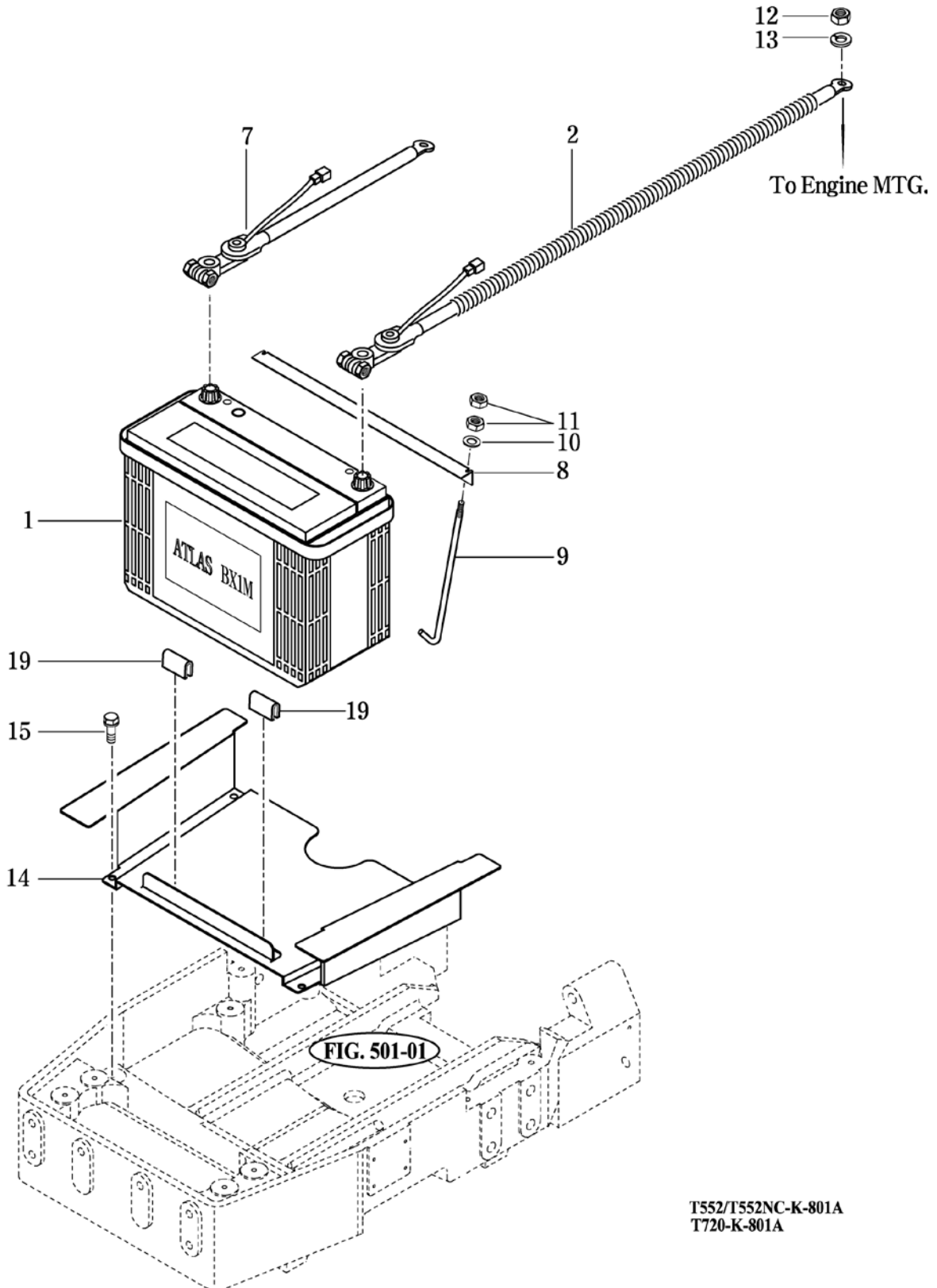
P1

Month/Year

02 / 2006



T7074



T552/T552NC-K-801A  
T720-K-801A

NOTE





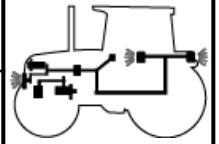
**FIG 802**

**LIGHT**

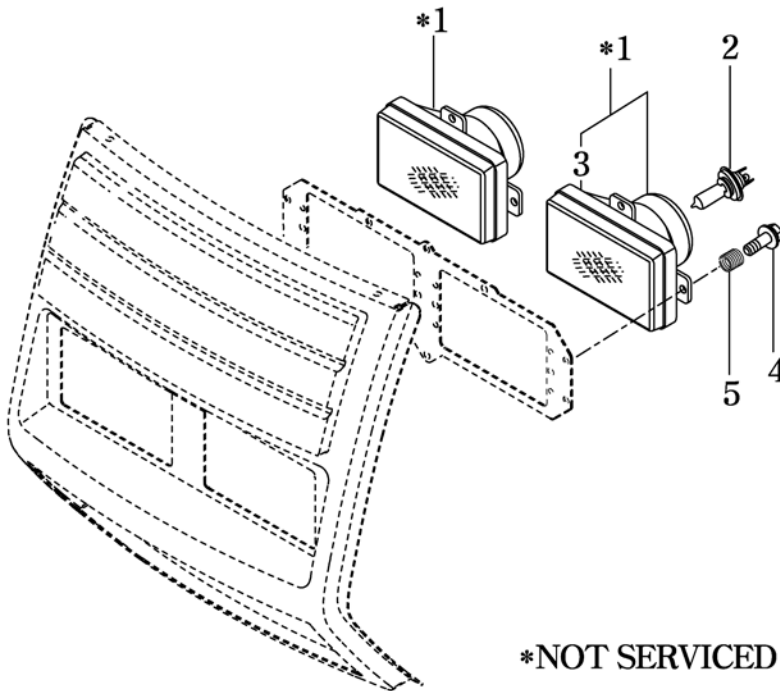
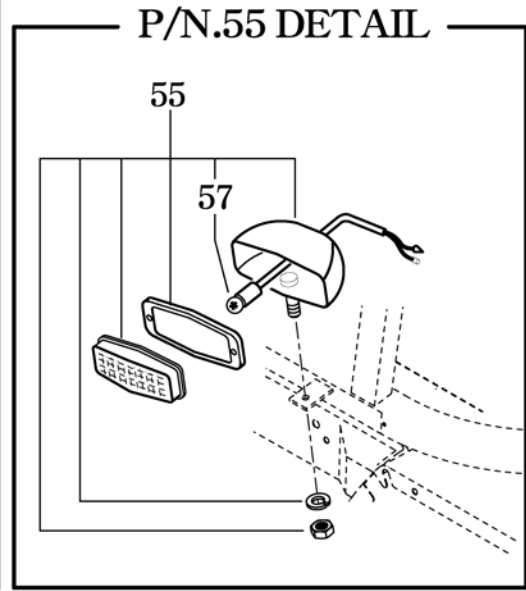
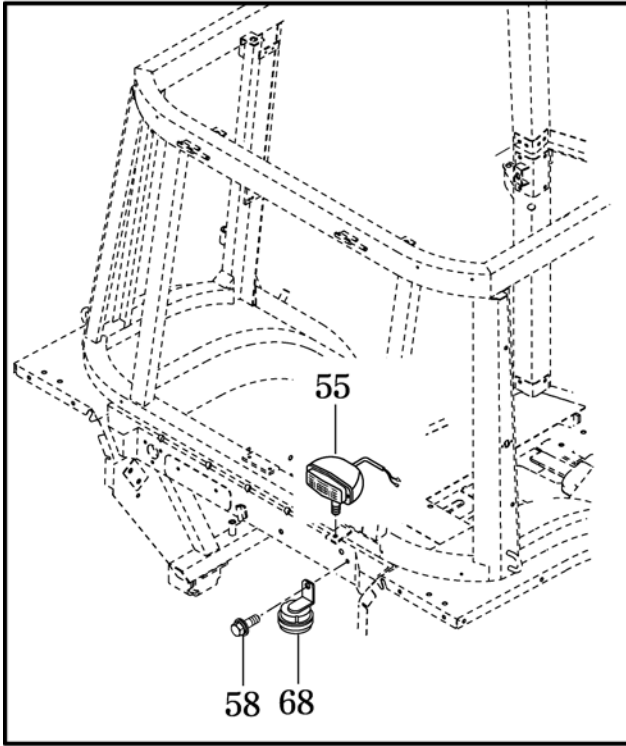
P1

Month/Year

02 / 2006



T7074



**\*NOT SERVICED SEPARATELY**

**T7074-E-802**

NOTE



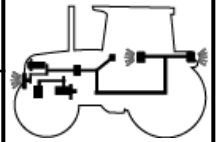
**FIG 803**

**INSTRUMENT PANEL**

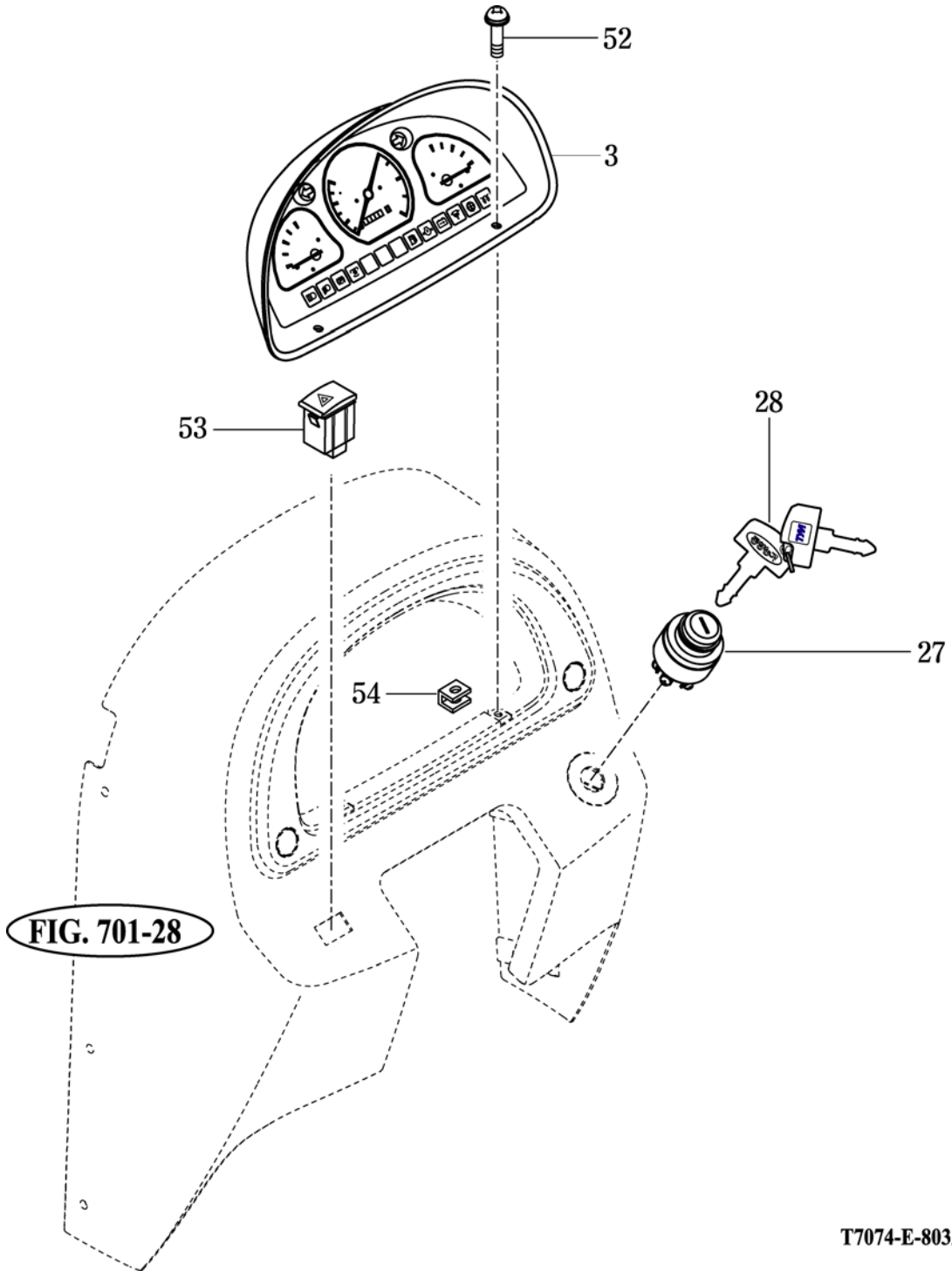
P1

Month/Year

02 / 2006



T7074



T7074-E-803A

NOTE



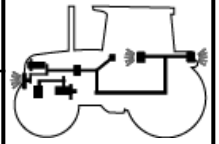
# FIG 804

# ELECTRIC SYSTEM (1)

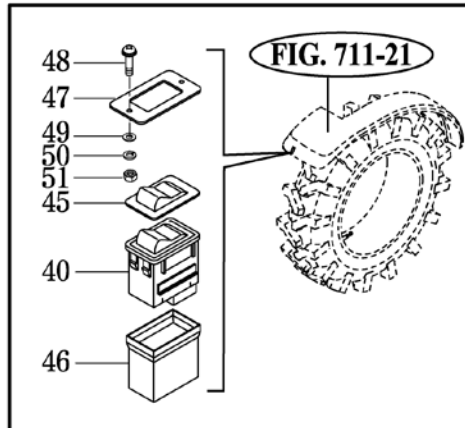
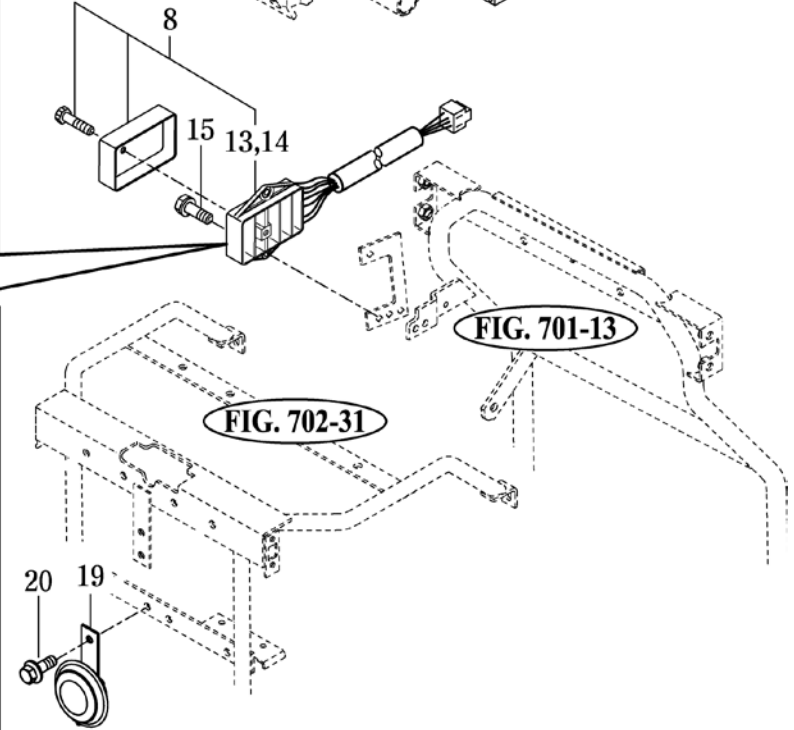
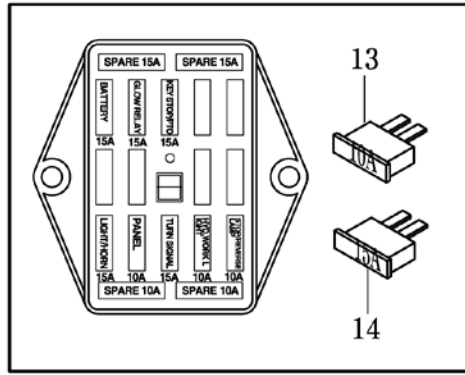
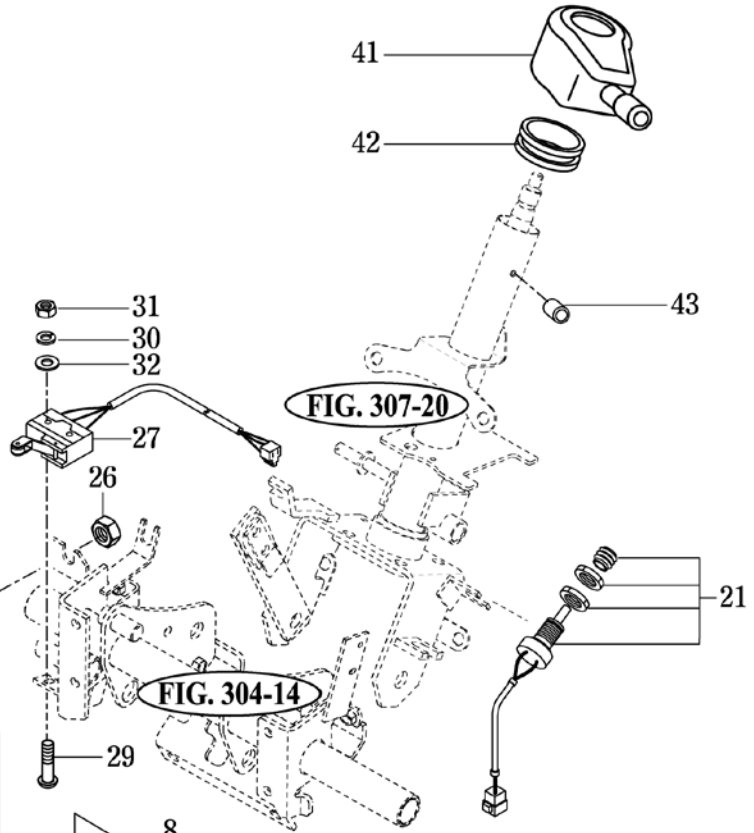
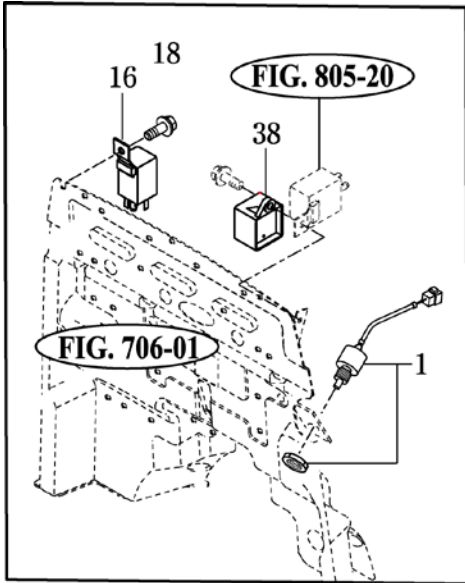
Month/Year

P1

02 / 2006



T7074



T70740-E-804A

NOTE



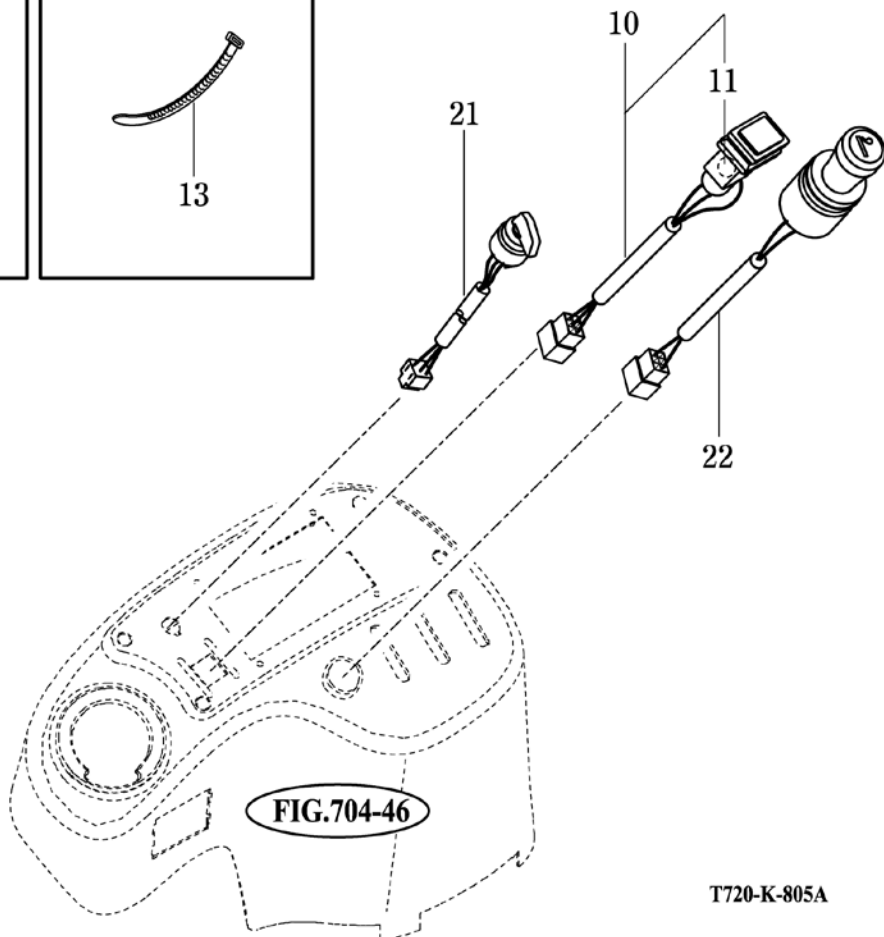
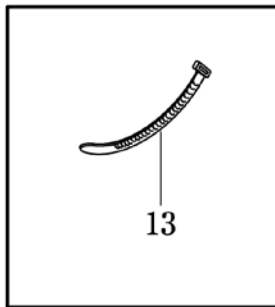
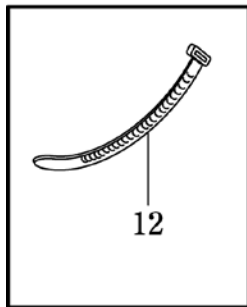
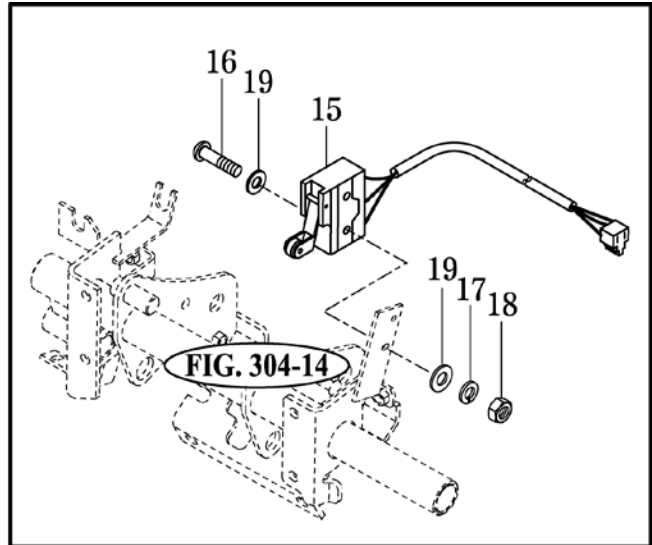
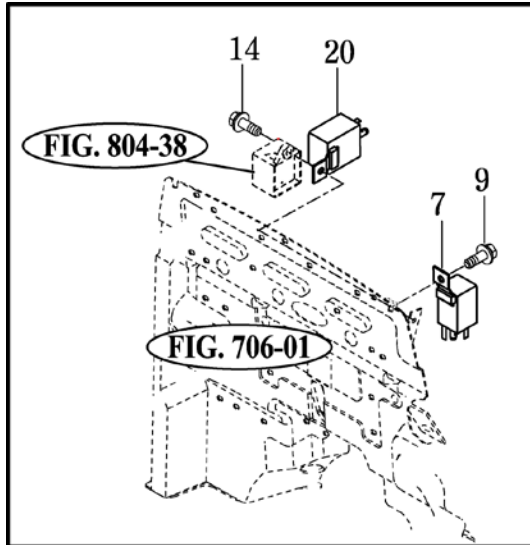
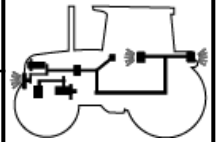
# FIG 805

# ELECTRIC SYSTEM (2)

P1

Month/Year

02 / 2006



T720-K-805A

NOTE





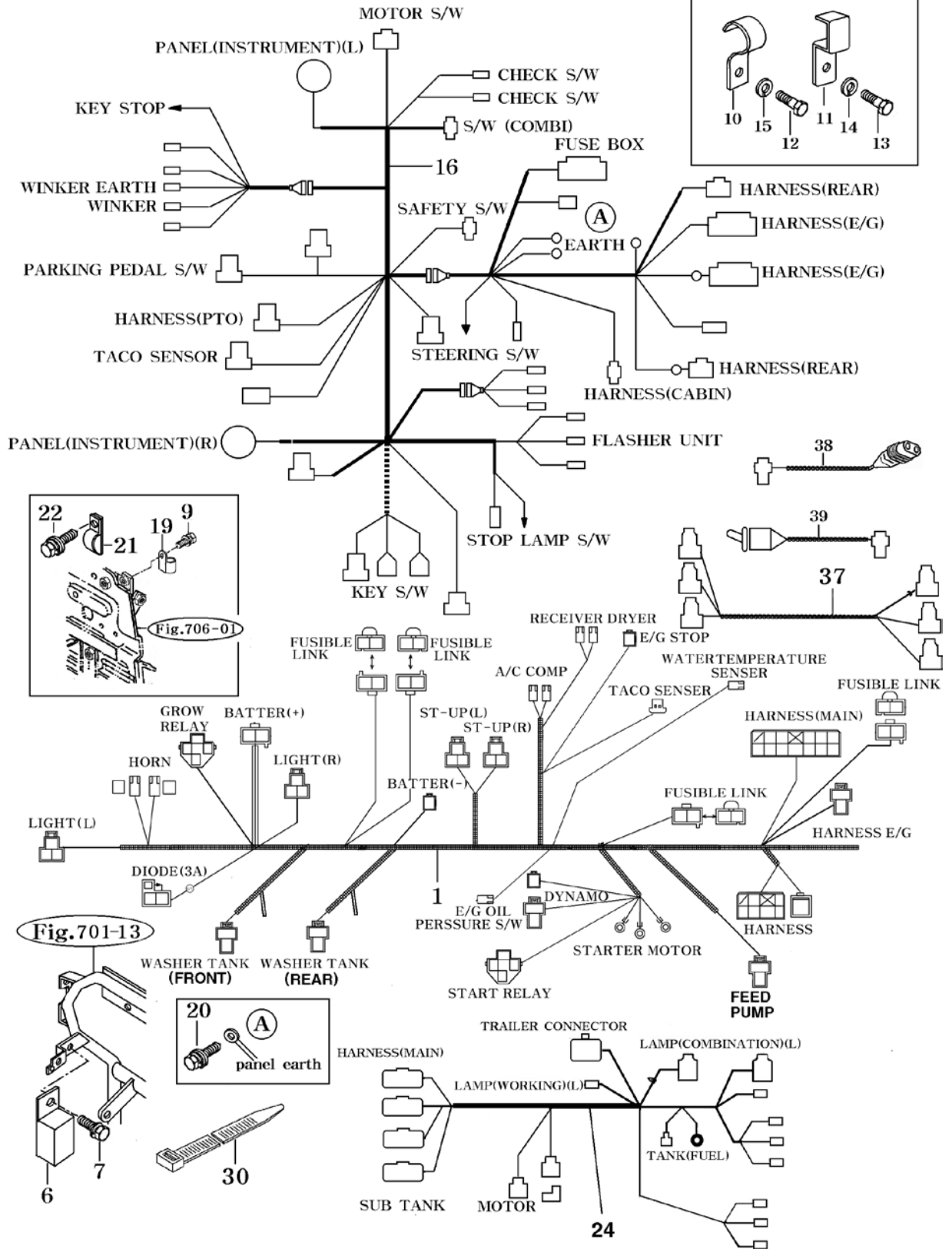
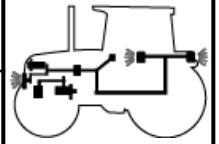
# FIG 806

# HARNESS

P1

Month/Year

02 / 2006



NOTE



**FIG 901**

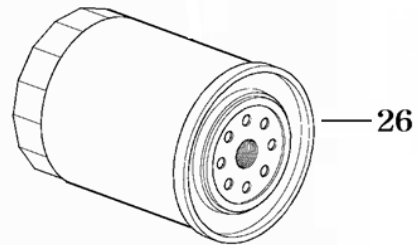
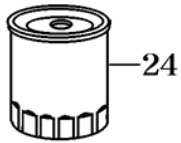
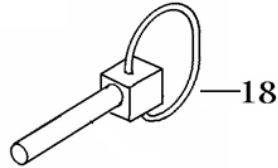
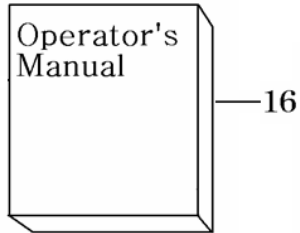
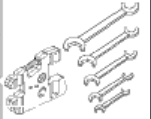
T7074

**TOOL & ACCESSORY**

P1

Month/Year

02 / 2006



NOTE



# FIG 902

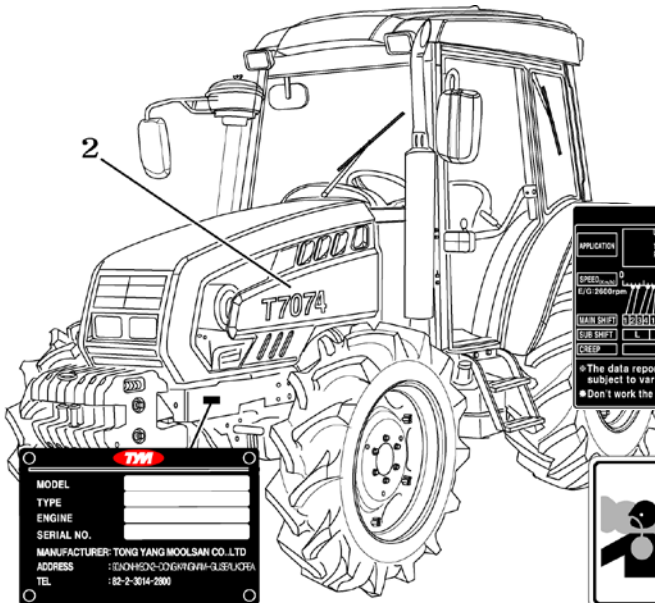
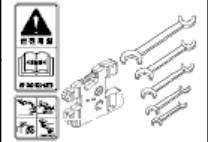
T7074

# LABEL

P1

Month/Year

02 / 2006



MODEL	
TYPE	
ENGINE	
SERIAL NO.	
MANUFACTURER: TONG YANG MOOLSAN CO.,LTD	
ADDRESS : 1E0DHE2G-DDGATGHW-QLSRUC9A	
TEL : 82-2-3014-2000	

APPLICATION	FRESHEN PLANTER		ROTATOR		PLOW		DRIVE	
	1	2	3	4	5	10	15	20
SPEED (km/h)	[Graph showing speed vs RPM for various applications]							
ECG (RPM/min)	[Graph showing engine speed vs RPM for various applications]							
MAIN SHIFT	1	2	3	4	5	6	7	8
CRUISE	ON	OFF	ON	OFF	ON	OFF	ON	OFF

• The data reported in this publication are also subject to variation and consequently are not.  
• Don't work the traction, escape marsh, heavy work at creep on.

**WARNING**

Push the button to lock position with joystick lever is neutral whenever the implement is not operation.

**WARNING**

Work in ventilated Area.

**WARNING**

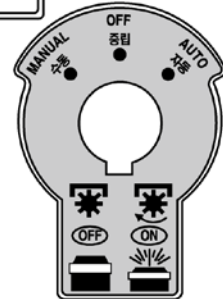
Do not use the sub shift lever at "H" position when driving backward.

**WARNING**

- Start engine only from operators seat. if safety start switch is by passed engine can start with transmission in gear.
- Do not connect or short across terminal on starter solenoid.
- Attach booster cables as shown on battery decal and operators manual.

Starting in gear causing runaway can result in serious injury.

- WHEN PREHEATING TURN THE KEY TO PREHEATING POSITION AND RELEASE. THEN PREHEATING LAMP IS LIGHTS AND PREHEATING.
- DO START AFTER PREHEATING LAMP IS TURNED OFF (STARTING IS POSSIBLE DURING PREHEATING)
- AFTER STARTED SHOULD BE ENOUGH WARMING UP BELOW 2000RPM



**WARNING**

Always apply the park brake when parking. Failure to do so can cause accidents and damages.

**WARNING**

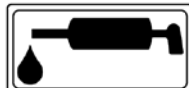
Never use the diff-lock at high speed or on the road as this can cause rollover and injury.

**WARNING**

Always set the knob to lock when:  
1. Travelling on the road.  
2. Replacing blades on an implement  
3. Making adjustment to an implement  
Sudden dropping of an implement can cause serious injury or death.

**WARNING**

Brake pedals must always be locked together when travelling on the highway. This will ensure uniform braking and provide maximum stopping ability sharp turns must only be made at slow speeds.



**HEATER VALVE**

close

Open the valve when using heater in winter season. Close the valve when using air conditioning.

**Inner/Outer air Ventilation**

- When grills of rear and both sides are opened, inner air will ventilate in.
- For effective use, open it when operate heater or air conditioner and close when ventilate fresh air.

NOTE

FIG 902		LABEL				P1	Month / Year	
T7074							02 / 2006	
KEY NO.	PART NO.	DESCRIPTION	SPEC.	Q'TY.	REPAIR	EFFECTIVE DATE	REMARKS	
902 002	17679010040	LABEL , LH, 7040C		1				
902 002	17679010050	LABEL , RH, 7040C		1				
902 004	17699020010	LABEL , SPEED		1				
902 007	17699100090	LABEL , WARNING JOYSTICK		1				
902 008	12009100030	LABEL , WARNING EXHAUST		1				
902 010	12009100010	LABEL , WARNING SUB		1				
902 012	12609040620	LABEL , STARTING WARNIN		1				
902 016	12209040150	LABEL , CAUTION STARTER		1				
902 024	17689030040	LABEL , CONTROL THROTTLE		1				
902 027	17689200060	LABEL , PTO SWITCH		1				
902 035	12009100020	LABEL , WARNING PARKING		1				
902 037	17689100220	LABEL , WARNING SWITCH		1				
902 049	12009100060	LABEL , WARNING DIFF		1				
902 050	12009100040	LABEL , WARNING STOP		1				
902 051	17689200050	LABEL , DIFF		1				
902 052	12009100070	LABEL , WARNING BRAKE		1				
902 057	T0019010020	LABEL , MODEL		1				
902 064	16329040020	LABEL , CAUTION GREASE		4				
902 066	12209041221	LABEL , VENTILATION		1				
902 071	12009100080	LABEL , WARNING TILT		1				
902 074	12009100050	LABEL , WARNING FIRE		1				
902 075	12009100240	LABEL , CAUTION MUFFLER		1				
902 076	15189030060	LABEL , PORT		1				
902 077	15189030070	LABEL , PORT		1				
902 078	17689030080	LABEL , PORT C		1				
902 079	17699100100	LABEL , WARNING JOYSTICK VALVE		1				
902 081	12009100110	LABEL , DANGER , AIR		1				
902 082	12009100120	LABEL , CAUTION FAN		2				
902 083	12009100130	LABEL , DANGER , PTO		1				
902 084	12009100140	LABEL , WARNING DRAW		1				
902 085	12009100150	LABEL , WARNING RADIATOR		1				
902 086	12009100160	LABEL , DANGER		1				
902 087	17689100170	LABEL , CAUTION SAFETY		1				
902 089	12009100190	LABEL , WARNING BELT		1				
902 090	12009100210	LABEL , WARNING THROTTLE		1				
902 091	17689040310	LABEL , CONTROL		1				
902 094	17689200021	LABEL , JOYSTICK		1				
902 095	17689040951	LABEL , DIAL		1				
902 096	17699040960	LABEL , KEY		1				
902 098	12009100230	LABEL , CAUTION TREA		1				
902 100	18999200010	LABEL ,EHC		1				
902 106	17669045041	LABEL , ROPS		1				
902 107	17669040210	LABEL , SMOKE		1				
902 108	17699040980	LABEL , CAUTION, DETENT		1				
902 110	17699040781	LABEL , CABIN		1				
NOTE								

# FIG 902

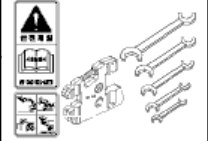
T7074

# LABEL

P2

Month/Year

02 / 2006



**WARNING**

Do not adjust the tilt handle when traveling.

1200-910-008-0

71

**WARNING**

Do not refuel the tractor while smoking or near naked flame or sparks. Always stop engine before refueling tractors.

1200-910-009-0

74

**CAUTION**

Do not touch while the system is hot. It cause serious burns.

1200-910-024-0

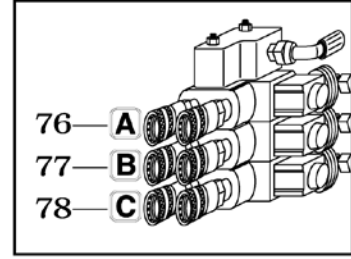
75

**WARNING**

Stay clear of raised Boom and bucket.

1769-904-081-0

79



**DANGER**

Periodic ventilation should be made to avoid suffocation while heating an air conditioning is used. Sleeping in the cab is prohibited.

1200-910-011-0

81

**CAUTION**

Keep hands and clothing away from rotating fan and belts to prevent serious injury.

1200-910-012-0

82

**DANGER**

Rotating driveline contact can cause death. KEEP AWAY! Keep all drive line. Tractor and equipment shields in place during operation.

1200-910-013-0

83

**WARNING**

Attach implements and trailers to the tractor only using the prescribed draw-bar or hitch.

1200-910-014-0

84

**WARNING**

Do not remove radiator cap while engine is hot. Hot steam will injure you.

1200-910-015-0

85

**DANGER**

Do not ride except operator.

1200-910-016-0

86

1769-910-017-0

87

**WARNING**

Always fasten Your seat belt.

1200-910-019-0

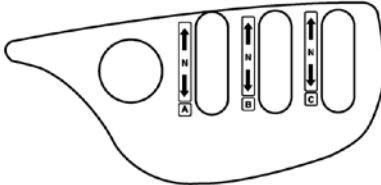
89

**WARNING**

Do not use the accelerator lever except working an the field.

1200-910-021-0

90



91



94



96

**WARNING**

Operator's manual

98

TYM

1.99

107



95

TONGYANGMOOLSAN CI.,LTD.

TYPE	CABIN
MODEL	C700
Serial No.	T700 W10
EEC NO.	
<b>S e4 0043</b>	
Application Model	
T680/T700/T7010	

106

This cab structure was tested in accordance with SAE J2194 and ISO 5700 for use on the following Tong Yang tractor model T550 (T431) with a maximum weight(GWW) of 5600 LBF

Manufacturer by DONG SUNG,KOREA

1220-904-076-0

110

**Electro-Hydraulic Hitch Control(EHC) Device**

Position Control Knob

■ Before operating the EHC, be sure to read operator's manual.

■ This device is designed to beep for safety reason when swivel location of the position control knob is not matched with swivel location of the lift arm. it doesn't beep.

1220-904-082-0

100

**CAUTION**

REMOTE VALVE "C" is "Normal Detent" TYPE

- Always select "NEUTRAL" before starting the engine.
- Always select "NEUTRAL" after completing the hydraulic operation.

1769-904-098-0

108

NOTE

<b>FIG 902</b> T7074		<b>LABEL</b>			P2	Month / Year 02 / 2006	
KEY NO.	PART NO.	DESCRIPTION	SPEC.	Q'TY.	REPAIR	EFFECTIVE DATE	REMARKS
902 002	17679010040	LABEL, LH, 7040C		1			
902 002	17679010050	LABEL, RH, 7040C		1			
902 004	17699020010	LABEL, SPEED		1			
902 007	17699100090	LABEL, WARNING JOYSTICK		1			
902 008	12009100030	LABEL, WARNING EXHAUST		1			
902 010	12009100010	LABEL, WARNING SUB		1			
902 012	12609040620	LABEL, STARTING WARNIN		1			
902 016	12209040150	LABEL, CAUTION STARTER		1			
902 024	17689030040	LABEL, CONTROL THROTTLE		1			
902 027	17689200060	LABEL, PTO SWITCH		1			
902 035	12009100020	LABEL, WARNING PARKING		1			
902 037	17689100220	LABEL, WARNING SWITCH		1			
902 049	12009100060	LABEL, WARNING DIFF		1			
902 050	12009100040	LABEL, WARNING STOP		1			
902 051	17689200050	LABEL, DIFF		1			
902 052	12009100070	LABEL, WARNING BRAKE		1			
902 057	T0019010020	LABEL, MODEL		1			
902 064	16329040020	LABEL, CAUTION GREASE		4			
902 066	12209041221	LABEL, VENTILATION		1			
902 071	12009100080	LABEL, WARNING TILT		1			
902 074	12009100050	LABEL, WARNING FIRE		1			
902 075	12009100240	LABEL, CAUTION MUFFLER		1			
902 076	15189030060	LABEL, PORT		1			
902 077	15189030070	LABEL, PORT		1			
902 078	17689030080	LABEL, PORT C		1			
902 079	17699100100	LABEL, WARNING JOYSTICK VALVE		1			
902 081	12009100110	LABEL, DANGER, AIR		1			
902 082	12009100120	LABEL, CAUTION FAN		2			
902 083	12009100130	LABEL, DANGER, PTO		1			
902 084	12009100140	LABEL, WARNING DRAW		1			
902 085	12009100150	LABEL, WARNING RADIATOR		1			
902 086	12009100160	LABEL, DANGER		1			
902 087	17689100170	LABEL, CAUTION SAFETY		1			
902 089	12009100190	LABEL, WARNING BELT		1			
902 090	12009100210	LABEL, WARNING THROTTLE		1			
902 091	17689040310	LABEL, CONTROL		1			
902 094	17689200021	LABEL, JOYSTICK		1			
902 095	17689040951	LABEL, DIAL		1			
902 096	17699040960	LABEL, KEY		1			
902 098	12009100230	LABEL, CAUTION TREA		1			
902 100	18999200010	LABEL, EHC		1			
902 106	17669045041	LABEL, ROPS		1			
902 107	17669040210	LABEL, SMOKE		1			
902 108	17699040980	LABEL, CAUTION, DETENT		1			
902 110	17699040781	LABEL, CABIN		1			
NOTE							



**FIG 904**

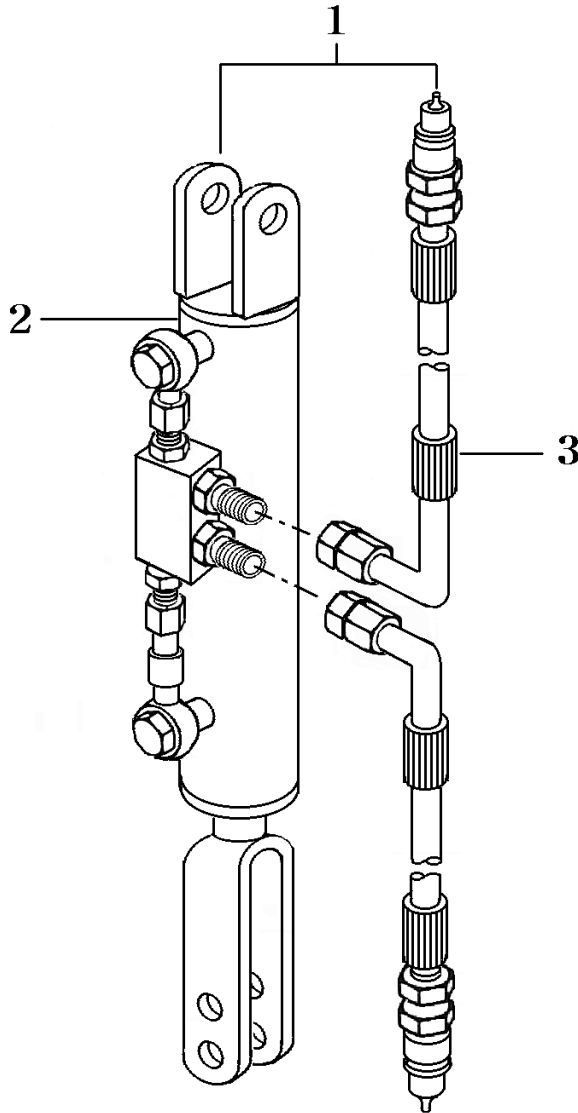
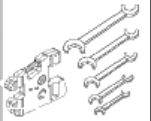
T7074

**LEVEL CONTROL CYLINDER**

P1

Month/Year

02 / 2006



NOTE

OPTION PARTS

