

전륜 구동

FRONT WHEEL DRIVE

■ 엔진 주변 부품 / ENGINE

연료 탱크 / FUEL TANK -----	FIG. 2-1	G. 040
조속 장치 / ENGINE CONTROL -----	FIG. 2-2	G. 100
소음기 / MUFFLER -----	FIG. 2-3	G. 150
라디에이터 / RADIATOR -----	FIG. 2-4	G. 170
에어 크리너 / AIR CLEANER -----	FIG. 2-5	G. 190
엔진 프레임 / ENGINE FRAME -----	FIG. 2-6	G. 210

■ 동력 전달 / TM

클러치 / CLUTCH -----	FIG. 3-1	G. 250
클러치 하우징 / CLUTCH HOUSING -----	FIG. 3-2	G. 250
클러치 페달 / CLUTCH PEDAL -----	FIG. 3-3	G. 260
트랜스미션 케이스 / TRANSMISSION CASE -----	FIG. 3-4	G. 280
주축 / MAIN SHAFT -----	FIG. 3-5	G. 281,283
주변속 축 / MAIN GEAR SHAFT -----	FIG. 3-6	G. 281
부변속 축 / RANGE GEAR SHAFT -----	FIG. 3-7	G. 285
초저속 축 / CREEPER SHAFT -----	FIG. 3-8	G. 285
피티오 축 / PTO SHAFT -----	FIG. 3-9	G. 283
피티오 구동축 / PTO DRIVE SHAFT -----	FIG. 3-10	G. 287
피티오 브레이크 / PTO BRAKE -----	FIG. 3-11	G. 283
전륜구동 축 / FRONT WHEEL DRIVE SHAFT -----	FIG. 3-12	G. 288
변속 포크 / SHIFT FORK -----	FIG. 3-13	G. 290,291
변속 레버 / SHIFT LEVER -----	FIG. 3-14	G. 290,291
전후진 레버 / F-R SHIFT LEVER -----	FIG. 3-15	G. 291
주변속 레버 / MAIN GEAR LEVER -----	FIG. 3-16	G. 292
부변속 레버 / RANGE GEAR LEVER -----	FIG. 3-17	G. 292
피티오 변속 레버 / PTO SHIFT LEVER -----	FIG. 3-18	G. 293

■ 차동 장치 / DIFF. LOCK

차동 고정장치 / DIFF-LOCK -----	FIG. 4-1	G. 310
차동장치 / REAR DIFFERENTIAL -----	FIG. 4-2	G. 320
전륜 구동 커버 / FRONT WHEEL DRIVE PROP COVER -----	FIG. 4-3	G. 380

■ 앞차축, 뒷차축 / FRONT, REAR AXLE

앞차축 조립체 / FRONT AXLE ASSY -----	FIG. 5-1	G. 400
앞차축 케이스 / FRONT AXLE CASE -----	FIG. 5-2	G. 400
앞차축 차동장치 / FRONT DIFFERENTIAL -----	FIG. 5-3	G. 400
앞차축 구동장치 / FRONT DRIVE -----	FIG. 5-4	G. 400
뒷차축 최동구동 / REAR AXLE -----	FIG. 5-5	G. 480
앞, 뒤 타이어 / FRONT & REAR WHEEL (TIRE) -----	FIG. 5-6	G. 490

■ 조향 장치 /

타이어로드 / TIE ROD -----	FIG. 6-1	G. 610
조향 실린더 및 라인 / STEERING CYLINDER & LINES -----	FIG. 6-2	G. 630
조향 휠 및 칼럼 / STEERING WHEEL & COLUMN -----	FIG. 6-3	G. 630

타이로드	-----	FIG. 6-1	
조향 실린더	-----	FIG. 6-2	
조향 휠 및 칼럼	-----	FIG. 6-3	
조향 라인	-----	FIG. 6-4	
■ 브레이크 장치 /			
브레이크 / BRAKE	-----	FIG. 7-1	G. 650
브레이크 페달 / BRAKE PEDALS	-----	FIG. 7-2	G. 670
주차 브레이크 / PARKING BRAKE PEDAL	-----	FIG. 7-3	G. 670
■ 전기 장치 /			
전기 배선 / ELECTRICAL WIRING	-----	FIG. 8-1	G. 730
축 전 지 / BATTERY	-----	FIG. 8-2	G. 740
계기 판넬 / METER PANEL	-----	FIG. 8-3	G. 750
램 프 / LAMP	-----	FIG. 8-4	G. 760
배선, 콘트롤러 및 센서 (수평 제어) / WIRE, CON. & SENSOR	-----	FIG. 8-5	G. 750
■ 유압 장치 /			
유압 하우징 / HYDRAULIC HOUSING	-----	FIG. 9-1	G. 820
리프트 제어밸브 및 링크 / LIFT CONTROL VALVE & LINK	-----	FIG. 9-2	G. 822
TM 제어밸브 / TM CONTROL VALVE	-----	FIG. 9-3	G. 822
유압인출 및 로더밸브 / FRONT OUTLET & LOADER VALVE	-----	FIG. 9-4	G. 822
유압 라인 / HYDRAULIC LINES	-----	FIG. 9-5	G. 823
견인 제어 링크 / DRAFT CONTROL LINK	-----	FIG. 9-6	G. 824
유압 제어 레버 / HYDRULIC CONTROL LEVER	-----	FIG. 9-7	G. 825
유압 실린더 / HYDRAULIC CYLINDER	-----	FIG. 9-8	G. 826
원격 유압 밸브 / REMOTE CONTROL VALVE	-----	FIG. 9-9	G. 827
상부 링크 브라켓트 / UPPER LINK BRACKET	-----	FIG. 9-10	G. 828
드로우바 히치 / DRAWBAR HITCH	-----	FIG. 9-11	G. 891
상부 및 하부 링크 / UPPER & LOWER LINK	-----	FIG. 9-12	G. 828
리프트 로드 / LIFT ROD	-----	FIG. 9-13	G. 896
체크 링크 / CHECK LINK	-----	FIG. 9-14	G. 896
수평제어 유압라인 / AUTO LEVELING HYDRAULIC LINE	-----	FIG. 9-15	G. 829
■ 외장 / SHEET METAL, INTERIOR			
후드 / HOOD	-----	FIG. 10-1	G. 830
발판 / STEP	-----	FIG. 10-2	G. 840
마운트 / MOUNT	-----	FIG. 10-3	G. 840
의자 / SEAT	-----	FIG. 10-4	G. 850
출입문 / DOOR	-----	FIG. 10-5	G. 862
전방창, 측방창 / FRONT & SIDE WINDOW	-----	FIG. 10-6	G. 863
후방창 / REAR WINDOW	-----	FIG. 10-7	G. 863
내장재 / INTERIOR	-----	FIG. 10-8	G. 864
에어컨 / AIR CONDITIONER	-----	FIG. 10-9	G. 865
윈도우 와이퍼 / WINDOW WIPER	-----	FIG. 10-10	G. 866
지붕 / ROOF	-----	FIG. 10-11	G. 867
외장재 / EXTERIOR	-----	FIG. 10-12	G. 868
공용품 / COMMON	-----	FIG. 10-13	G. 869
펜더 / FENDER	-----	FIG. 10-14	G. 870
보호구조물 / ROPS	-----	FIG. 10-15	G. 880

■ **공구, 데칼 /**

공구 / TOOLS ----- FIG. 11-1 G. 920

데칼 / DECAL ----- FIG. 11-2 G. 980

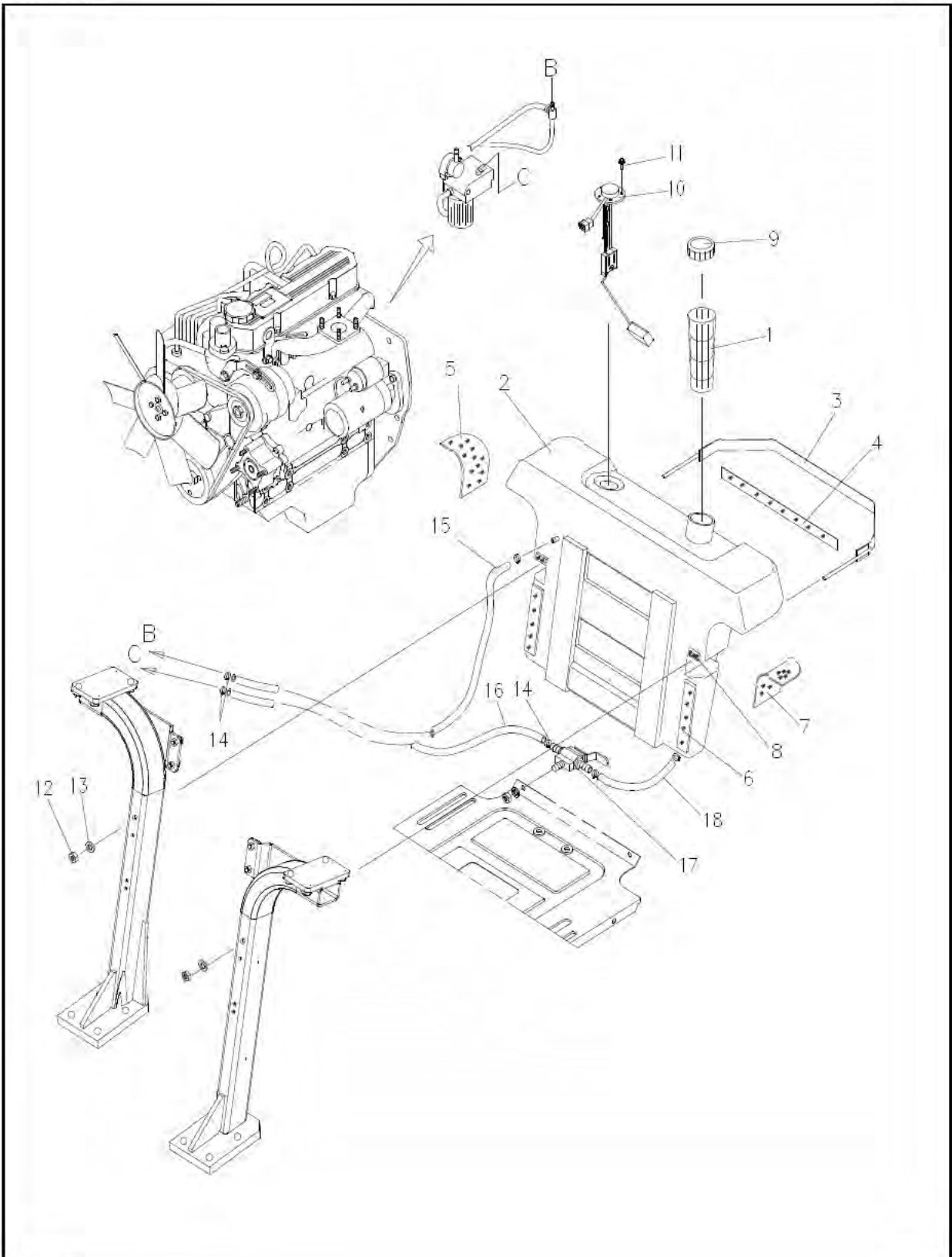
■ **선택 사양 /**

선택 사양 / OPTION ----- FIG. 12-1

FUEL TANK

FIG. 2-1B

G. 040



FUEL TANK

A-C38, B-C45

A-C38, B-C45

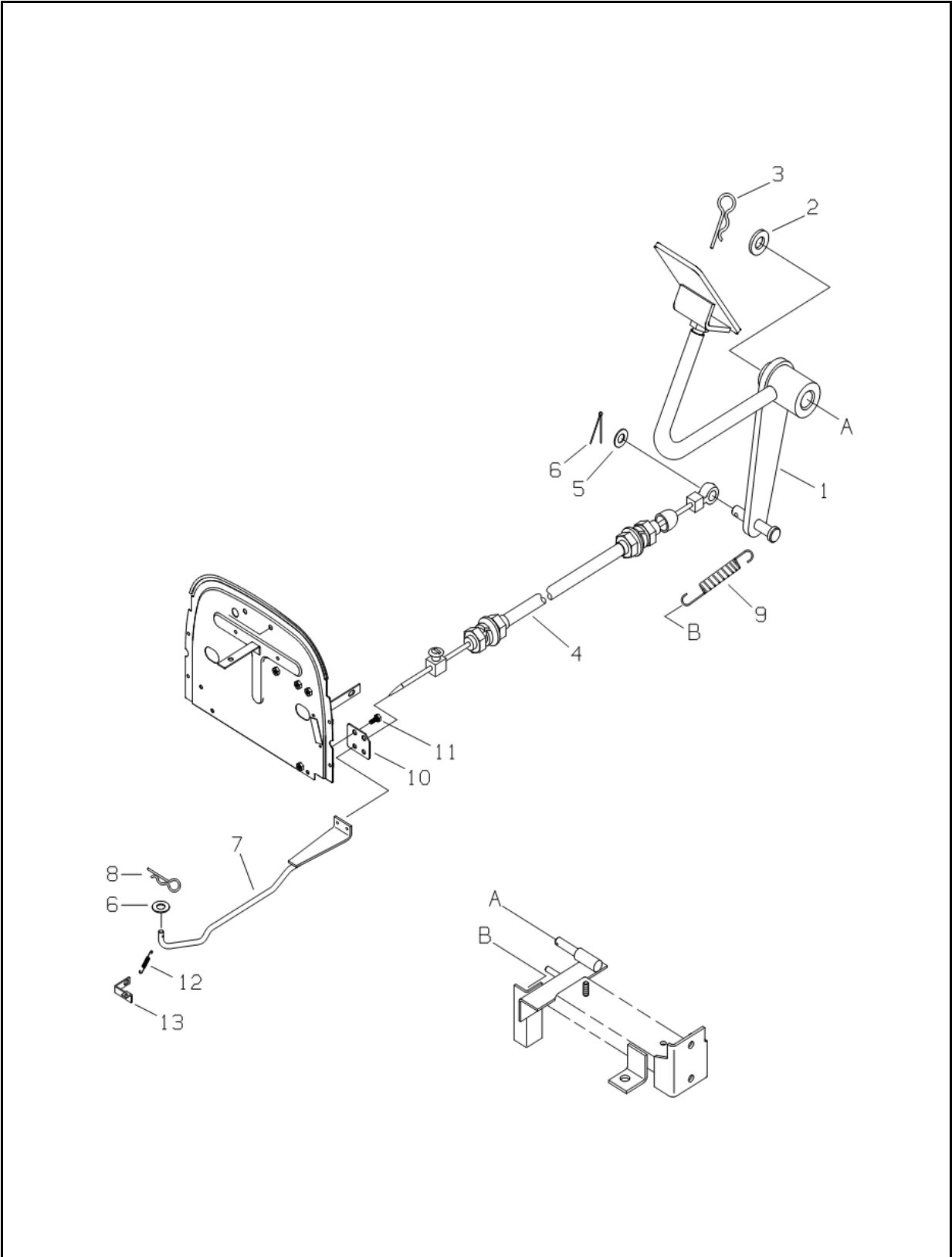
FIG. 2-1B EX, AG, TF

NO.	PART NO.	PART NAME & DESCRIPTION	QTY			APP. NO	REM.
			A	B	C		
1~12	A1040139	FUEL TANK ASSY	1	1			
1	A1040052	STRAINER, FUEL TANK	1	1			
2	A1040085	TANK, FUEL	1	1			
3	A1040086	BAND, FUEL TANK	1	1			
4	A1040088	SPONGE	1	1			
5	A1040089	SPONGE(RH)	1	1			
6	A1040090	SPONGE	2	2			
7	A1040093	SPONGE(LH)	1	1			
8	A1040133	SPONGE	2	2			
9	A1040111	CAP ASSY, FUEL	1	1			
10	A1750176	GAUGE, FUEL	1	1			
11	S153051613	BOLT. HEX. W/WASHER	5	5			M5x0.8x16L
12	A1877079	NUT, LOCK	2	2			M8x1.25
13	S365082013	WASHER, PLN.	2	2			D20/8.4x1.6T
14	A1970380	CLAMP, HOSE	6	6			
15	A1040104	HOSE, FUEL RETURN	1	1			
16	A1040074	HOSE, FUEL	1	1			
17	A1040127	COCK, FUEL TANK	1	1			
18	A1040205	HOSE, VALVE COCK	1	1			

ENGINE CONTROL

FIG. 2-2B

G. 100



ENGINE CONTROL

A-C38, B-C45

A-C38, B-C45

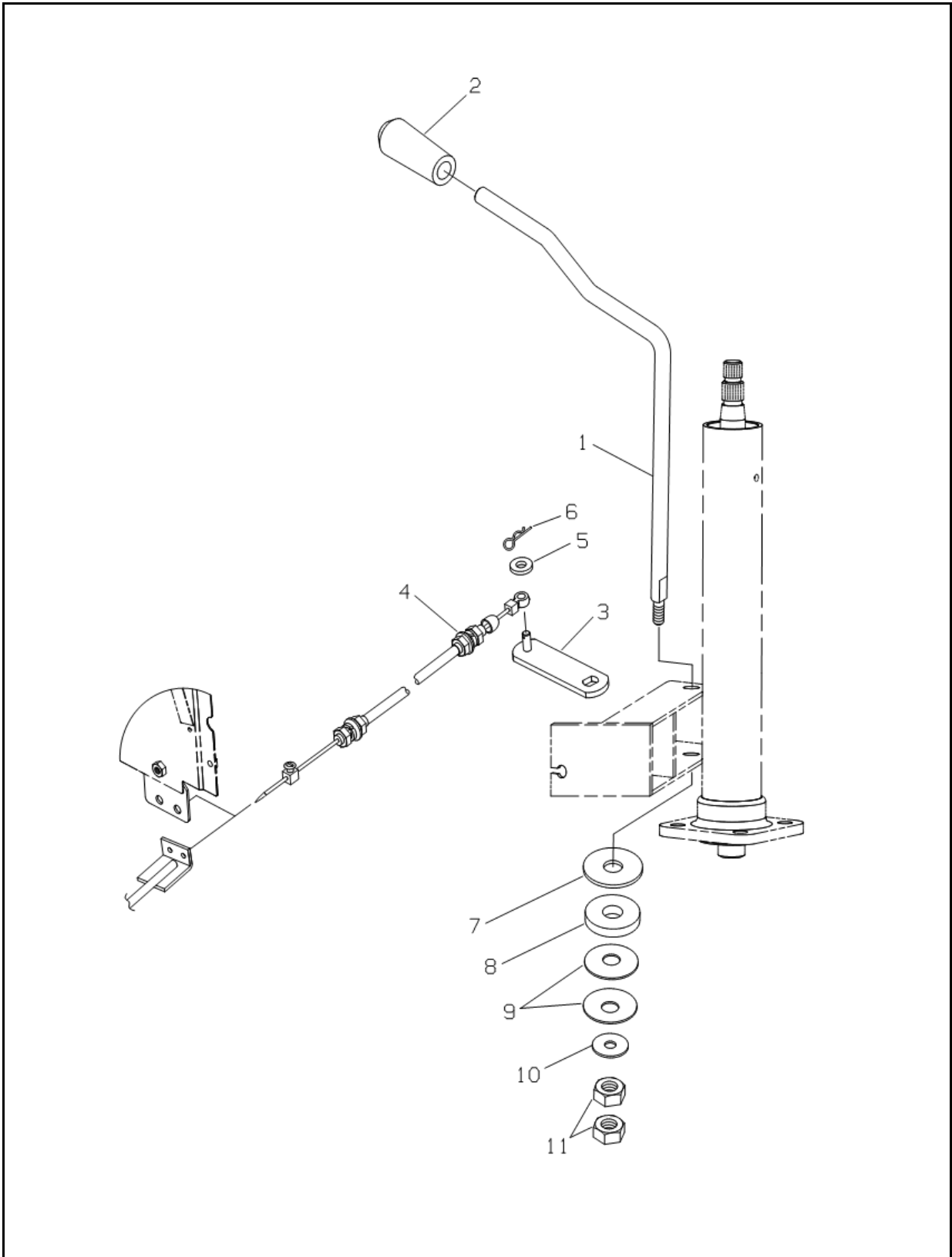
FIG. 2-2B EX, AG, VA, PT, TK, TF, R

NO.	PART NO.	PART NAME & DESCRIPTION	QTY			APP. NO	REM.
			A	B	C		
1	A1100057	PEDAL, ACCELELATOR	1	1			
2	S364120013	WASHER, PLN. Φ24xΦ13x2.5t	1	1			
3	S443120013	PIN, HAIR Φ1.8	1	1			
4	A1100045	WIRE, ACCE. PEDAL	1	1			
5	A1970286	WASHER, PLASTIC Φ17xΦ6x3.0t	2	2			
6	S441251613	PIN, SPLIT Φ2.3	1	1			
7	A1100042	ROD, ENGINE CONTROL	1	1			
8	S443060013	PIN, SNAP Φ1.2	1	1			
9	3A1100008	SPRING	1	1			
10	A1100075	PLATE, CABLE	1	1			
11	S159081633	BOLT, W/WASHER M8x1.25x16L	1	1			
12	A1100087	SPRING	1	1			
13	A1100106	BRACKET, SPRING	1	1			

ENGINE CONTROL

FIG. 2-3

G. 100



ENGINE CONTROL

A-C38, B-C45

A-C38, B-C45

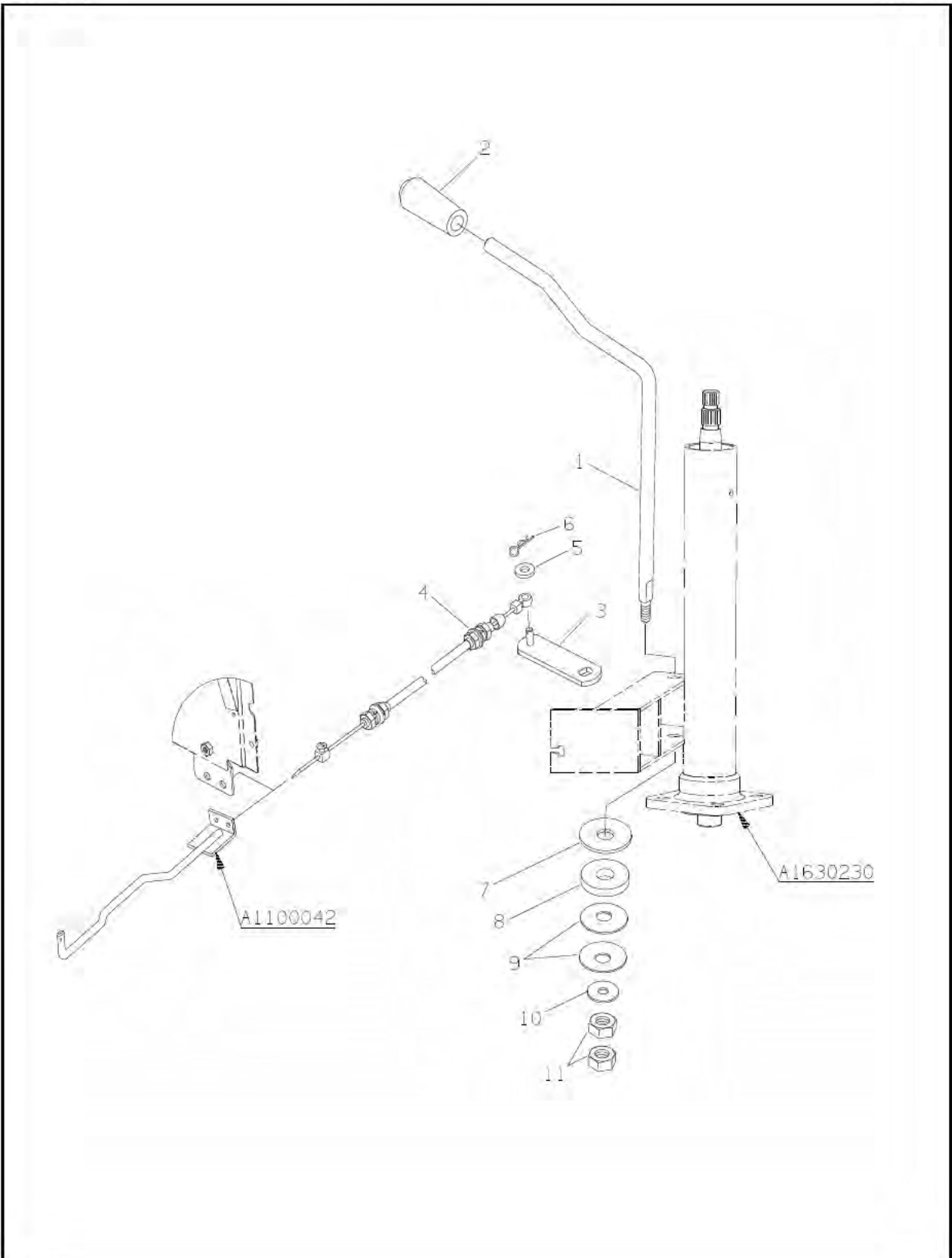
FIG. 2-3

NO.	PART NO.	PART NAME & DESCRIPTION	QTY			APP. NO	REM.
			A	B	C		
1	A1100052	LEVER, ENG. ACCELERATOR	1	1			
2	A0710037	GRIP (4)	1	1			
3	A1100076	ARM, ENG. CONTROL	1	1			
4	A1100054	WIRE, ACCE. LEVER	1	1			
5	A1970286	WASHER, PLASTIC	1	1			
6	S443060013	PIN, HAIR	1	1			
7	A1100058	PLATE, FRICTION	1	1			
8	S364120013	WASHER, PLN.	1	1			
9	S373120023	SPRING, PLATE	2	2			
10	S364080013	WASHER, PLN.	1	1			
11	S313080013	NUT, HEX.	2	2			

ENGINE CONTROL

FIG. 2-3

G. 100



ENGINE CONTROL

A-C38, B-C45

A-C38, B-C45

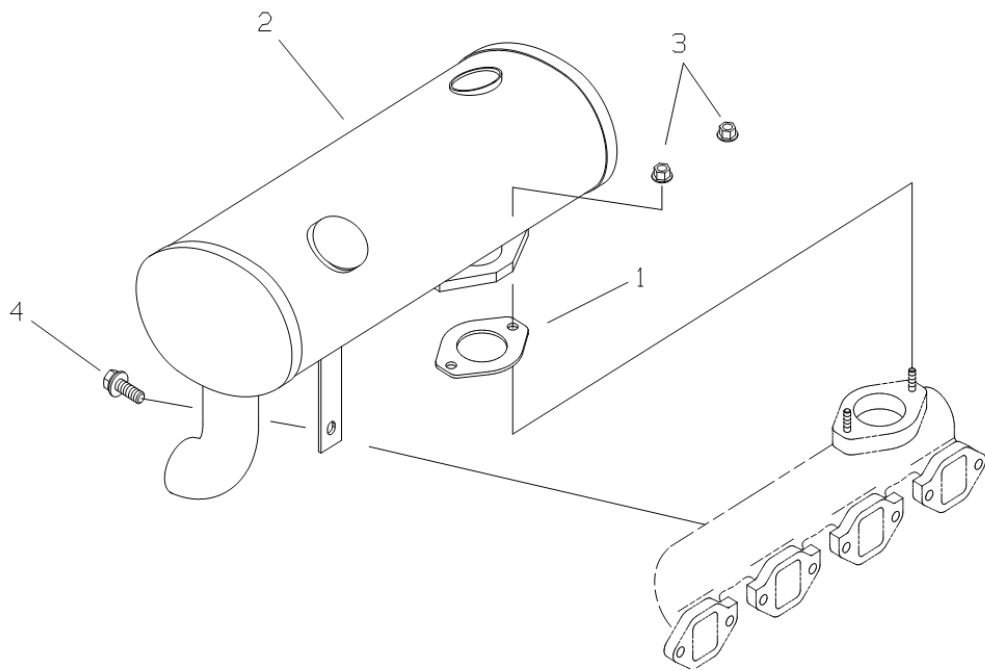
FIG. 2-3

NO.	PART NO.	PART NAME & DESCRIPTION	QTY			APP. NO	REM.
			A	B	C		
1	A1100052	LEVER, ENG. ACCELELATOR	1	1			
2		GRIP (4)	1	1			
3	A1100053	ARM, ENG. CONTROL	1	1			
4	A1100054	WIRE, ACCE. LEVER	1	1			
5	A1970286	WASHER, PLASTIC	1	1			
6	S443060013	PIN, HAIR	1	1			
7	A1100058	PLATE, FRICTION	1	1			
8	S364120013	WASHER, PLAIN	1	1			
9	S373120023	SPRING, PLATE	2	2			
10	S364080013	WASHER, PLAIN	1	1			
11	S313080013	NUT, HEX.	2	2			

MUFFLER

FIG. 2-4B

G. 150



MUFFLER

A-C38, B-C45

A-C38, B-C45

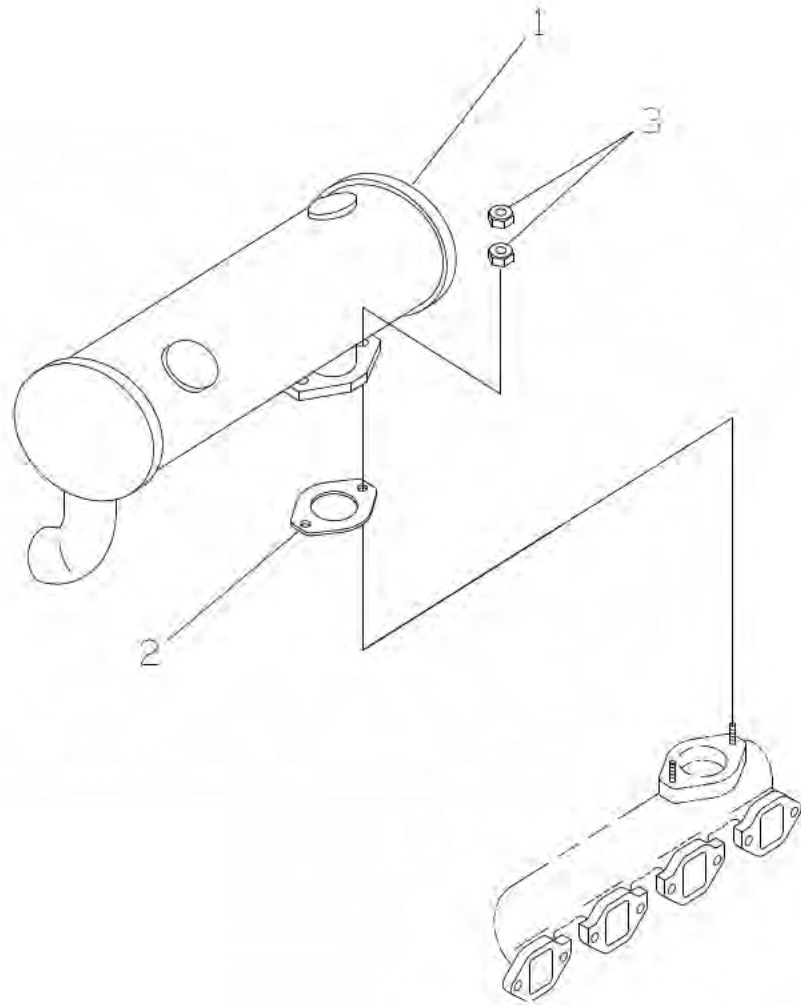
FIG. 2-4B EX, AG, VA, TF, R

NO.	PART NO.	PART NAME & DESCRIPTION		QTY			APP. NO	REM.
				A	B	C		
1	A1151100	GASKET, MUFFLER		1	2			
2	A1151144	MUFFLER		1	1			
3	S345080013	NUT, HEX. FLANGE	M8x1.25P	2	2			
4	S159082033	BOLT, HEX. W/WASHER	M8x1.25Px20L	1	1			

MUFFLER

FIG. 2-4

G. 150



MUFFLER

A-C38, B-C45

A-C38, B-C45

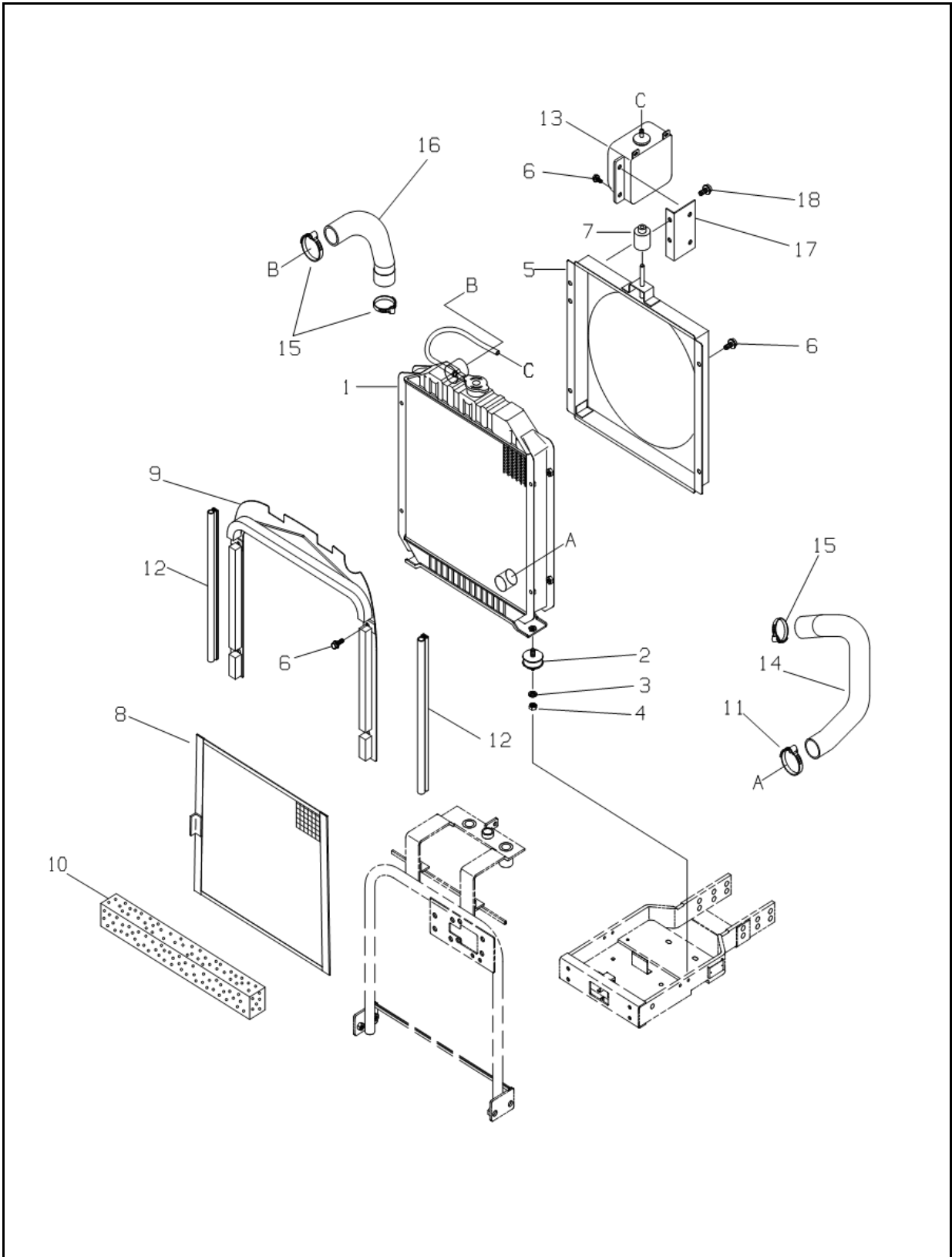
FIG. 2-4

NO.	PART NO.	PART NAME & DESCRIPTION		QTY			APP. NO	REM.
				A	B	C		
1	A1151100	GASKET, MUFFLER		1	1			
2		MUFFLER		1	1			
3	S313080070	NUT, HEX	M8x1.25P	4	4			
4	S159082033	BOLT, HEX. W/WASHER	M8x1.25Px20L	1	1			

RADIATOR

FIG. 2-5

G. 170



RADIATOR

A-C38, B-C45

A-C38, B-C45

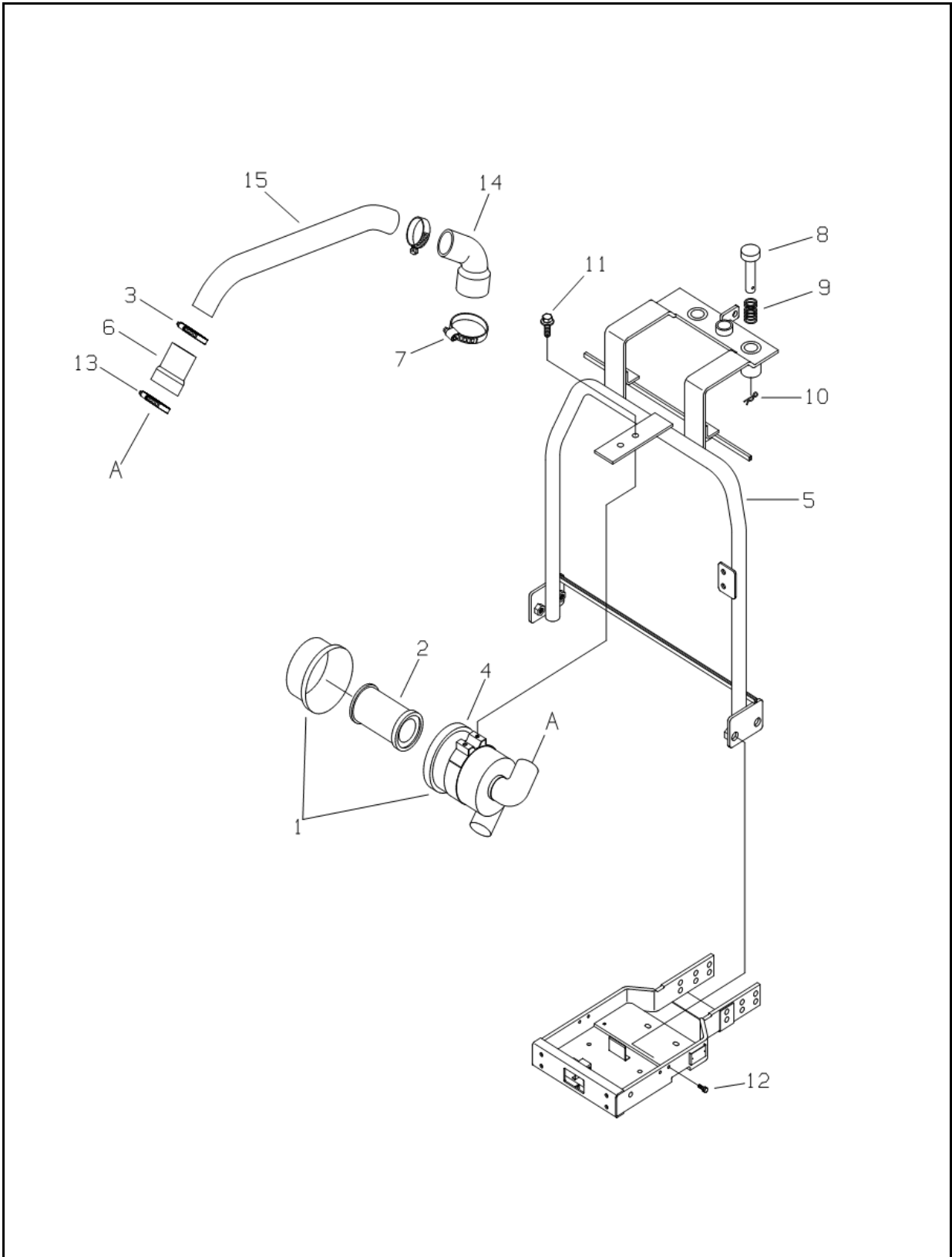
FIG. 2-5

NO.	PART NO.	PART NAME & DESCRIPTION	QTY			APP. NO	REM.
			A	B	C		
1	A1170174	RADIATOR	1	1			
2	A1970360	RUBBER, DAMPING MOUNT	2	2			
3	S361100013	WASHER, SPRING	2	2			
4	S314100013	NUT, HEX	2	2			
5	A1170220	SHROUD, FAN	1	1			
6	S159082533	BOLT, HEX. W/WASHER	9	9			
7	A1970258	RUBBER, CUSHION	1	1			
8	A1170129	NET, SCREEN RADIATOR	1	1			
9	A1170134	PLATE	1	1			
10	A1170102	SEAL, RADIATOR AIR	1	1			
11	A1970201G	CLAMP, HOSE	3	3			
12	A1170095	STRIP, WEATHER	1	1			
13	A1170031	TANK, RESERVOR	1	1			
14	A1170185	HOSE, OUTLET	1	1			
15	A1970201F	CLAMP, HOSE	1	1			
16	A1170186	HOSE, INLET	1	1			
17	A1170099	PLATE	1	1			
18	S155082033	BOLT, HEX. W/WASHER	2	2			

AIR CLEANER

FIG. 2-6

G. 190



AIR CLEANER

A-C38, B-C45

A-C38, B-C45

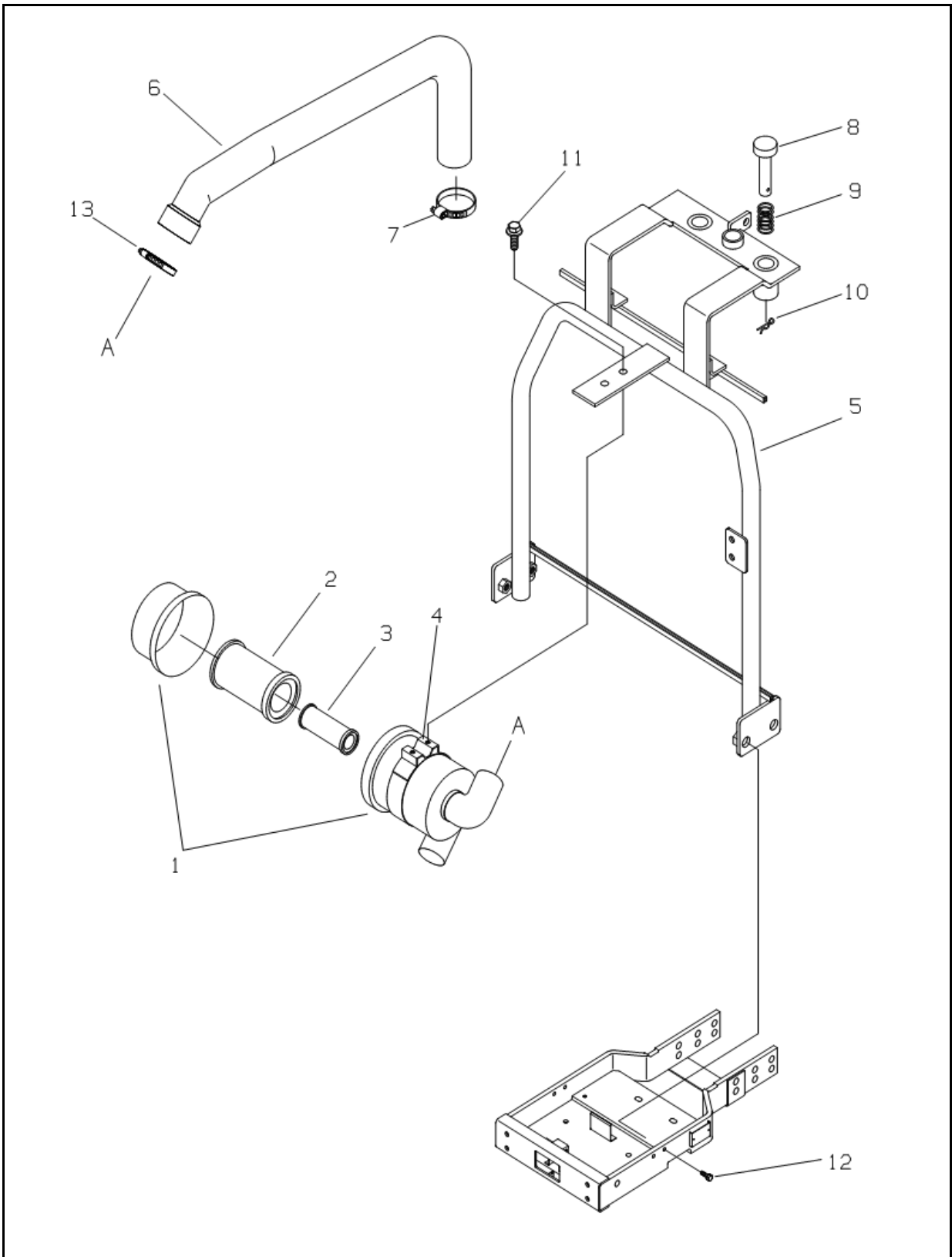
FIG. 2-6

NO.	PART NO.	PART NAME & DESCRIPTION	QTY			APP. NO	REM.
			A	B	C		
1-3	A1190110	AIR CLEANER ASSY	1	1			
1	A1190117	BODY, ASSY	1	1			
2	A1190111	FILTER, PRIMARY	1	1			
3	A1970201i	CLAMP, HOSE	2	2			
4	A1190113	BAND, AIR CLEANER	1	1			
5	A1190138	SUPPORT, AIR CLEANER	1	1			
6	A1190163	HOSE A, AIR INTAKE	1	1			
7	A1970201J	CLAMP, HOSE	1	1			
8	A1830261	PIN, CLEVIS	2	2			
9	A0690127	SPRING	2	2			
10	S443120013	PIN, SNAP	2	2			D12x35.8
11	S155082033	BOLT, HEX. W/WASHER	2	2			M8x1.25x20L
12	S154103533	BOLT, HEX.	4	4			M10x1.25x30L
13	A1970201K	CLAMP, HOSE	1	1			
14	A1190164	HOSE B, AIR INTAKE	1	1			
15	A1190188	PIPE, AIR INTAKE	1	1			

AIR CLEANER

FIG. 2-6

G. 190



AIR CLEANER

A-C38, B-C45

A-C38, B-C45

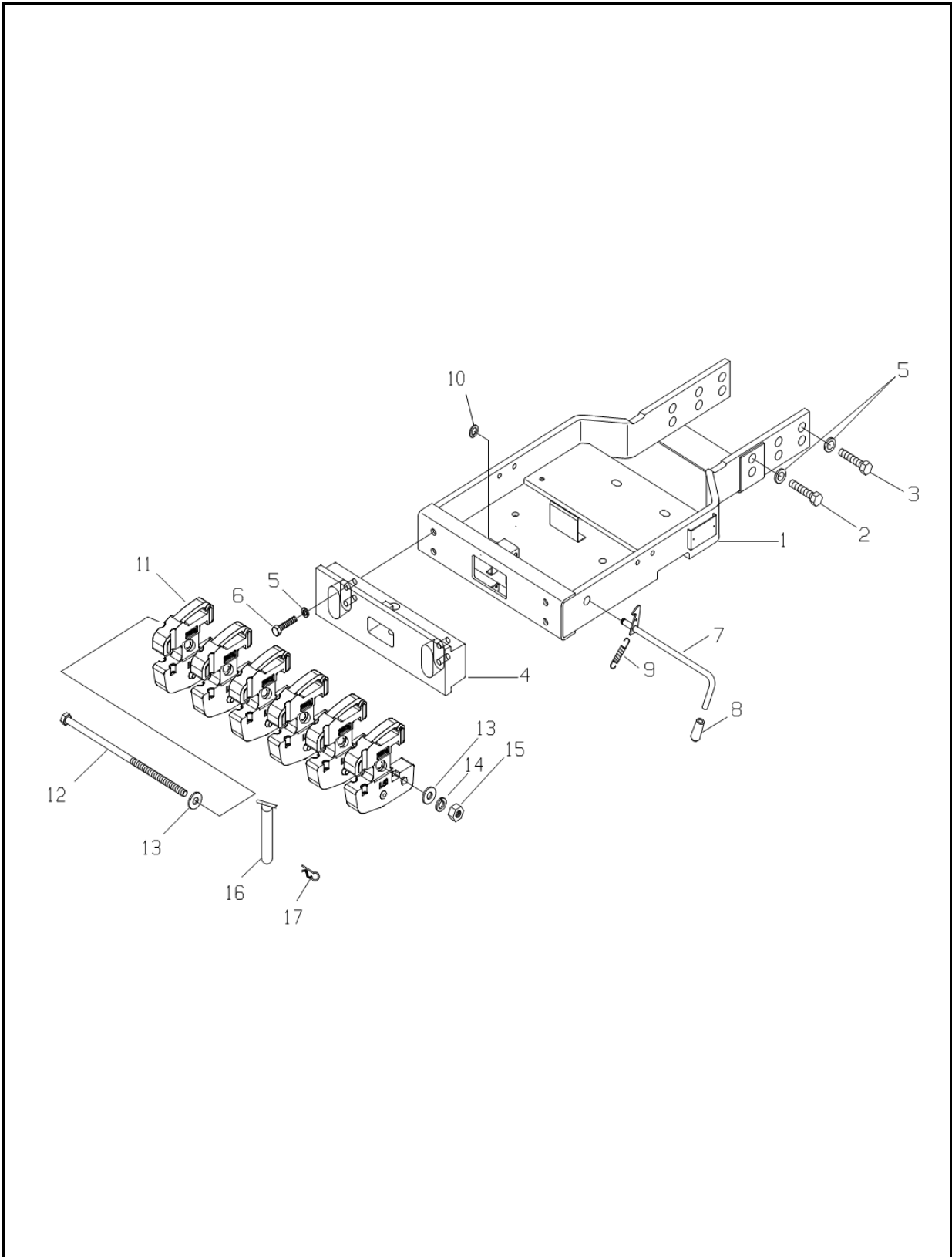
FIG. 2-6

NO.	PART NO.	PART NAME & DESCRIPTION	QTY			APP. NO	REM.
			A	B	C		
1-3	A1190110	AIR CLEANER ASSY	1	1			
1		BODY, ASSEMBLY	1	1			
2	A1190111	FILTER, PRIMARY	1	1			
3	A1190112	FILTER, SAFETY	1	1			
4	A1190113	BAND, AIRCLEANER	1	1			
5	A1190138	SUPPORT, AIRCLEANER	1	1			
6	A1190139	HOSE, AIR INTAKE	1	1			
7	A1970201H	CLAMP, HOSE	11	11			
8	A1830261	PIN, CLEVIS	2	2			
9	A1690127	SPRING	2	2			
10	S443120013	PIN, SNAP	2	2			
11	S155082033	BOLT, HEX. W/WASHER	2	2			
12	S154103533	BOLT, HEX.	4	4			
13	A1970201K	CLAMP, HOSE	1	1			

ENGINE FRAME

FIG. 2-7

G. 190



ENGINE FRAME

A-C38, B-C45

A-C38, B-C45

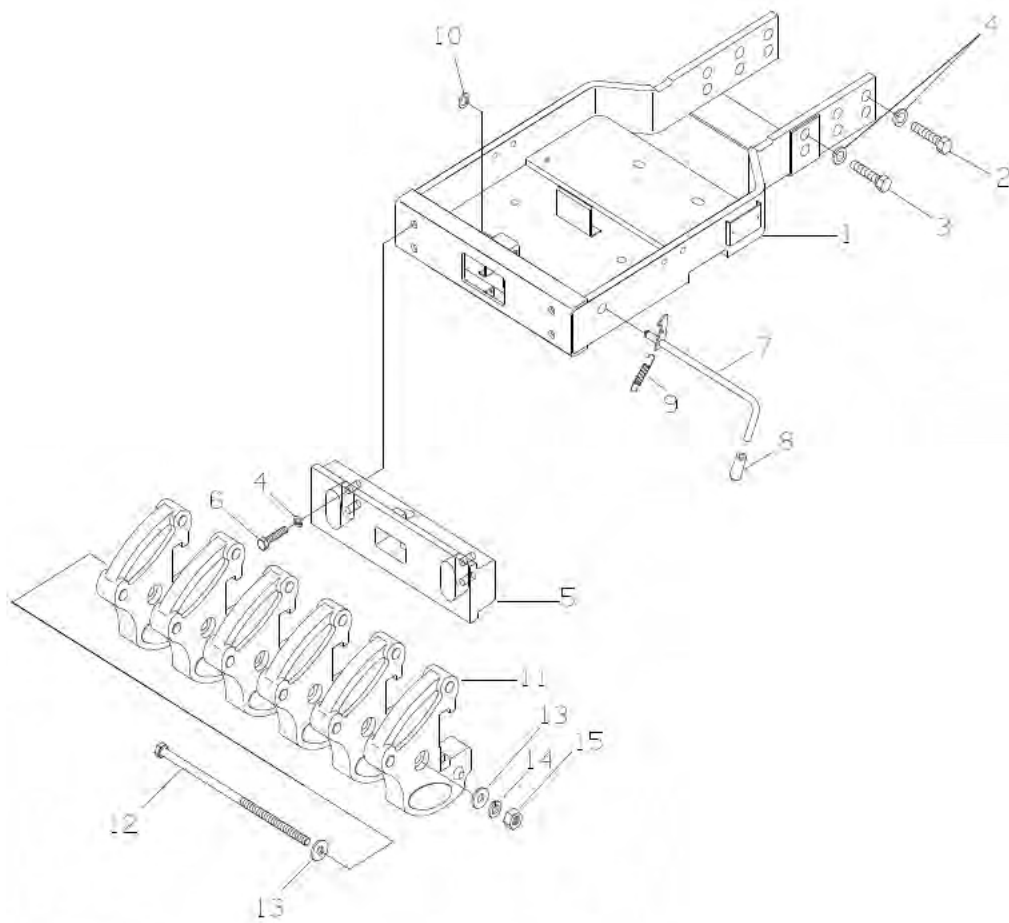
FIG. 2-7

NO.	PART NO.	PART NAME & DESCRIPTION		QTY			APP. NO	REM.
				A	B	C		
1	A1210109	FRAME, ENGINE		1	1			
2	S101144543	BOLT, HEX.	M12x2x45L	8	8			
3	S101145553	BOLT, HEX.	M14x2x55L	4	4			
4	A1215029	BUMPER		1	1			
5	S361140013	WASHER, SPRING	Φ24.5xΦ14.2x3.5t	4	4			
6	S103149043	BOLT, HEX.	M14x1.5x90L	4	4			
7	A1830229	HOOK, GRILL		1	1			
8	A0710037	GRIP		1	1			
9	A1830248	SPRING		1	1			
10	S810012001	RING, SNAP	D11.1x1t	1	1			
11	A1215030	WEIGHT, FRONT	20kg/EA	6	6			6 WEIGHT
	A1215030	WEIGHT, FRONT	20kg/EA	4	4			4 WEIGHT
12	A1215007	BOLT, HEX.	M16x1.5x360	1	1			6 WEIGHT
	A1215028	BOLT, HEX.	M16x1.5x245	1	1			4 WEIGHT
13	3A0010847	WASHER, STOP	Φ38xΦ17x5t	2	2			
14	S361160013	WASHER, SPRING	Φ28xΦ16.2x4t	1	1			
15	S314160013	NUT, HEX	M16x1.5	1	1			
16	A1215031	PIN, FRONT HOOK		1	1			
17	A1970350	PIN, SNAP		1	1			

ENGINE FRAME

FIG. 2-7

G. 190



ENGINE FRAME

A-C38, B-C45

A-C38, B-C45

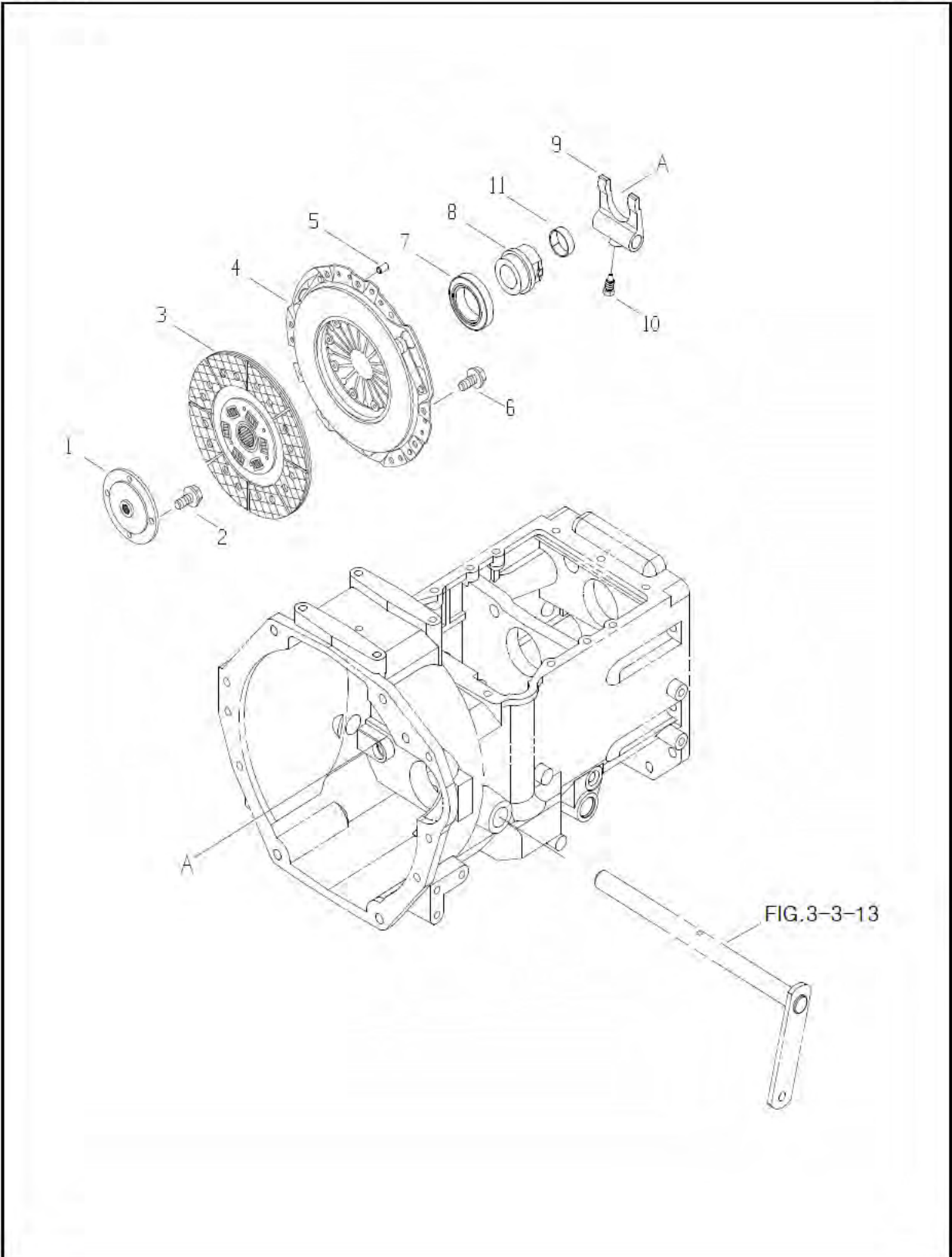
FIG. 2-7

NO.	PART NO.	PART NAME & DESCRIPTION		QTY			APP. NO	REM.
				A	B	C		
1	A1210109	FRAME, ENGINE		1	1			
2	S101144543	BOLT, HEX.	M12x2x45L	8	8			
3	S101145553	BOLT, HEX.	M14x2x55L	4	4			
4	A1215029	BUMPER		1	1			
5	S361140013	WASHER, SPRING	φ24.5xφ14.2x3.5t	4	4			
6	S103149043	BOLT, HEX.	M14x1.5Px90L	4	4			
7	A1830229	HOOK, GRILL		1	1			
8	A0710037	GRIP		1	1			
9	A1830248	SPRING		1	1			
10	S810012001	RING, SNAP		1	1			
11	A1215030	WEIGHT, FRONT	20kg/개	6	6			
12	A1215007	BOLT, HEX.	M16x1.5x360	1	1			
13	3A0010847	WASHER, STOP	φ38xφ17x5t	2	2			
14	S361160013	WASHER, SPRING	φ28xφ16.2x4t	1	1			
15	S314160013	NUT, HEX	M16x1.5	1	1			
16	A1215031	PIN, FRONT HOOK		1	1			
17	A1970350	PIN, SNAP		1	1			

CLUTCH

FIG. 3-1

G. 250



CLUTCH

A-C38, B-C45

A-C38, B-C45

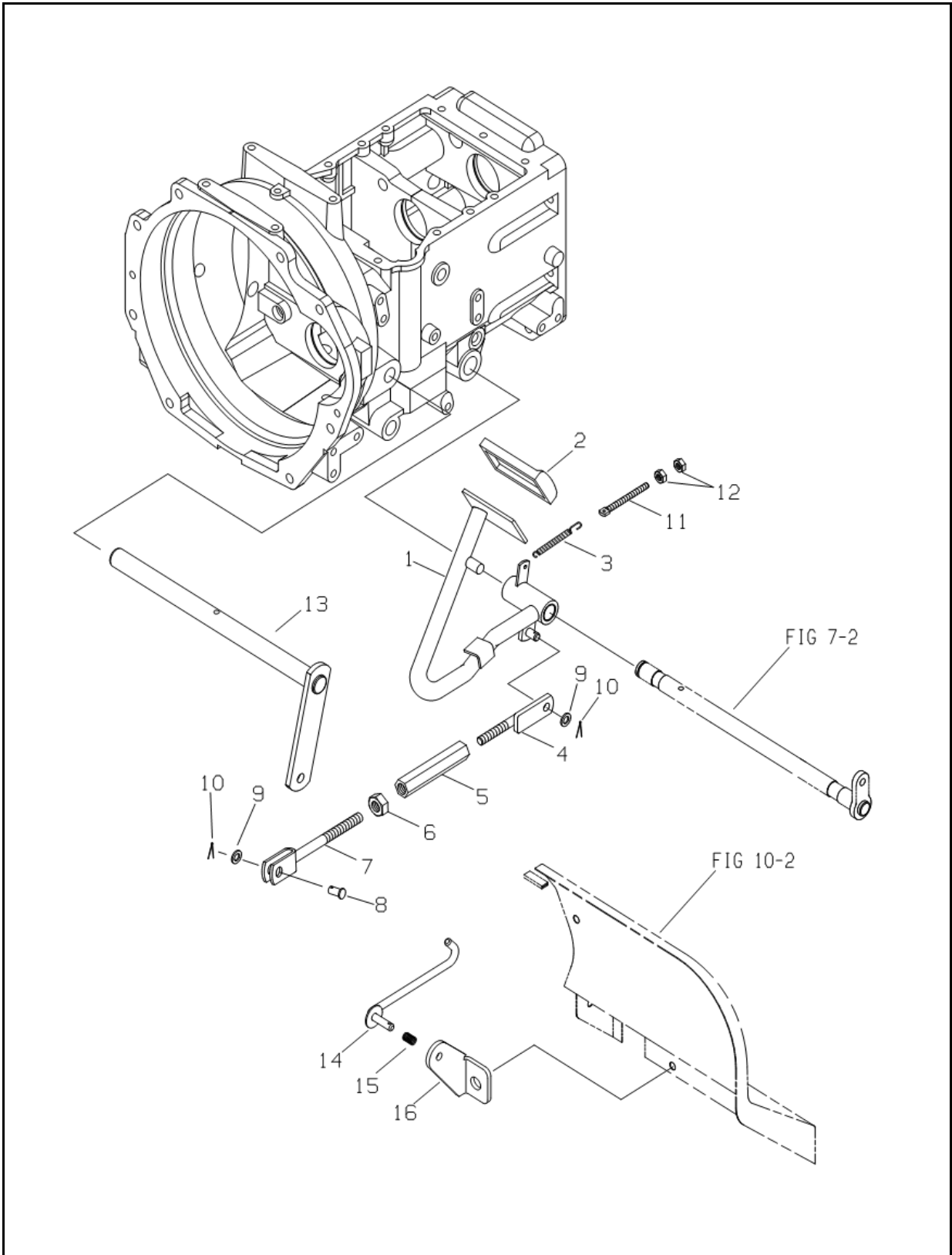
FIG. 3-1

NO.	PART NO.	PART NAME & DESCRIPTION	QTY			APP. NO	REM.
			A	B	C		
1	A1281428	SLEEVE, FLY WHEEL	1	*			
	A1281603	SLEEVE, FLY WHEEL	*	1			
2	S154102533	BOLT, HEX	4	4			
3-4	A1250111	CLUTCH ASSY	1	*			
	A1250139	CLUTCH ASSY	*	1			
3	A1250107	CLUTCH DISK ASSY	1	*			
	A1250138	CLUTCH DISK ASSY	*	1			
4	A1250094	CLUTCH COVER ASSY	1	*			
	A1250059	CLUTCH COVER ASSY	*	1			
5	S423081610	PIN, DOWEL	3	*			
	S421101210	PIN, DOWEL	*	3			
6	S153082533	BOLT, HEX	6	6			
7	A1250062	BEARING, RELEASE	1	1			
8	A1250112	HUB, RELEASE BEARING	1	*			
	A1250140	HUB, RELEASE BEARING	*	1			
9	A1250045	LEVER, CLUTCH SHIFT	1	1			
10	A1250047	BOLT, LOCKING	1	1			
11	A1250113	BUSHING	1	1			

CLUTCH PEDAL

FIG. 3-3

G. 260



CLUTCH PEDAL

A-C38, B-C45

A-C38, B-C45

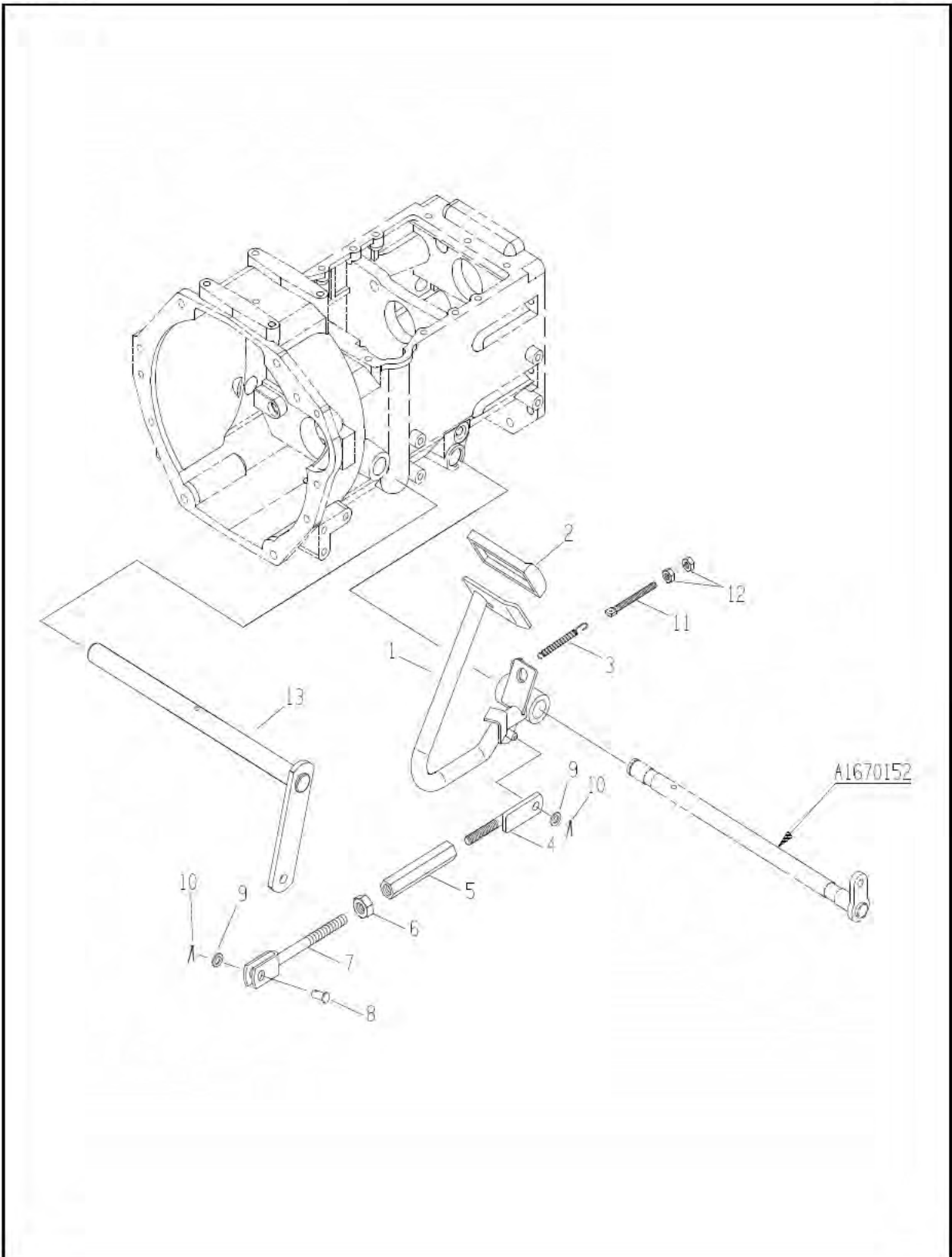
FIG. 3-3

NO.	PART NO.	PART NAME & DESCRIPTION	QTY			APP. NO	REM.
			A	B	C		
1	A1260066	PEDAL, CLUTCH	1	1			
2	A1670084	PAD, CLUTCH PEDAL	1	1			
3	A1260118	SPRING, RETURN	1	1			
4-7	A1260054	CLUTCH LINK ASSY	1	1			
4	A1260052	LINK(B)	1	1			
5	A1260027	JOINT	1	1			
6	S306100013	NUT, HEX	M10x1.25	1	1		
7	A1260055	LINK(A)		1	1		
8	S427102013	PIN, CLEVIS	D10x20L	1	1		
9	S364100013	WASHER, PLAIN	OD21xID10.5x2.0t	2	2		
10	S441252013	PIN, SPLIT	D2.5x20L	2	2		
11	A1260073	BOLT, ADJUST	M8x1.25	1	1		
12	S313080043	NUT, HEX.	M8x1.25	2	2		
13	A1260105	SHAFT, CLUTCH LEVER		1	1		
14	A1260096	SPRING, CLUTCH PEDAL LOCK		1	1		
15	A1260097	HOOK, CLUTCH PEDAL		1	1		
16	A1260098	BRACKET, CLUTCH PEDAL HOOK		1	1		

CLUTCH PEDAL

FIG. 3-3

G. 260



CLUTCH PEDAL

A-C38, B-C45

A-C38, B-C45

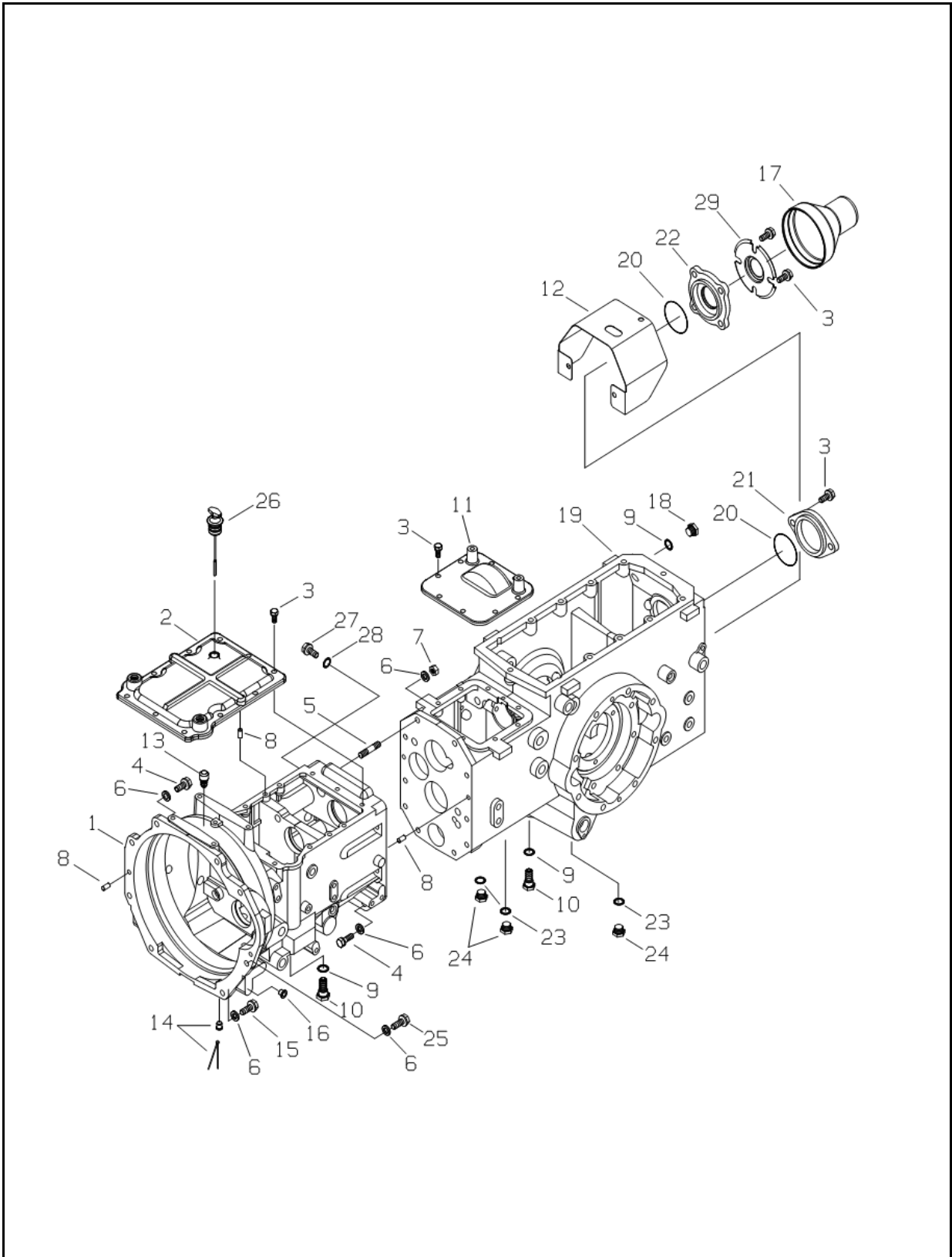
FIG. 3-3

NO.	PART NO.	PART NAME & DESCRIPTION	QTY			APP. NO	REM.
			A	B	C		
1	A1260066	PEDAL, CLUTCH	1	1			
2	A1670084	PAD, CLUTCH PEDAL	1	1			
3	A1260118	SPRING, RETURN	1	1			
4-7	A1260054	CLUTCH LINK ASSY	1	1			
4	A1260052	LINK(B)	1	1			
5	A1260027	JOINT	1	1			
6	S306100013	NUT, HEX	M10x1.25	1	1		
7	A1260055	LINK(A)		1	1		
8	S427102013	PIN, CLEVIS	D10x20L	1	1		
9	S363100013	WASHER, PLAIN	OD18xID10.5x2.0t	2	2		
10	S441302013	PIN, COTTER	D3.0x20L	2	2		
11	A1260073	ADJUSTER	M8x1.25	1	1		
12	S301080043	NUT, HEX.	M8x1.25	2	2		
13	A1260056	SHAFT, CLUTCH LEVER		1	1		

TRANSMISSION CASE

FIG. 3-4

G. 250, 280



TRANSMISSION CASE

A-C38, B-C45

A-C38, B-C45

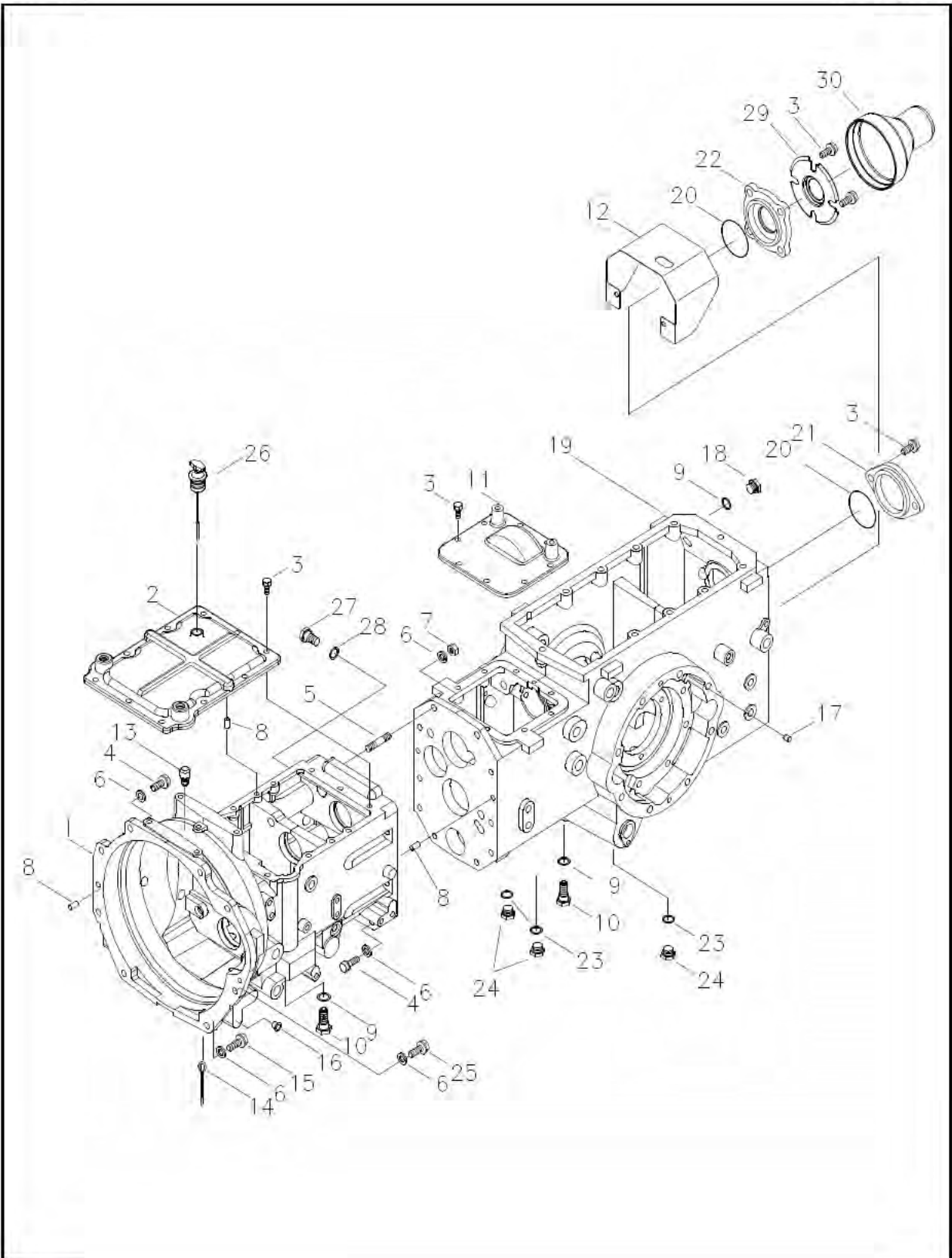
FIG. 3-4

NO.	PART NO.	PART NAME & DESCRIPTION	QTY			APP. NO	REM.
			A	B	C		
1	A1250120	HOUSING, CLUTCH	1	1			
2	A1292144	COVER, CLUTCH HOUSING	1	1			
3	S154102533	BOLT, HEX M10x1.25x25L	24	24			
4	S105123543	BOLT, HEX M12x1.75x35L	8	8			
5	S139123523	BOLT, STUD M12x1.75x35L	2	2			
6	S361120013	WASHER, SPRING OD21.5xID12.2x3t	18	18			
7	S305120013	NUT, HEX M12x1.75	2	2			
8	S423102010	PIN, DOWEL D10x20	6	6			
9	A10263360	SEAL OD20xID26x1.5t	3	3			
10	3A1250013	PLUG, MAGNET	2	2			
11	A1280088	COVER, AXLE CASE	1	1			
12	A1280092	SHIELD, PTO	1	*			
	A1280165	SHIELD, PTO	*	1			EC
13	A1250049	AIR VENT	1	1			
14	3A1250009	PLUG	1	1			RICE
15	A1250123	PIN,SPLIT D12	1	1			
16	S105124543	BOLT, HEX SMALL M12x1.75x45L	1	1			
17	3A1970068	PLUG	6	6			
18	A05171520	COVER, SAFETY	1	1			
19	A0610281	PLUG, DRAIN	1	1			
20	A1280171	CASE, AXLE	1	1			
21	S804070010	O-RING D69.5xW2.0	2	2			
22	A1280090	COVER, PTO DRV SHAFT	1	1			
23	A1280115	COVER, PTO SHAFT	1	1			
24	Q0650006	GASKET OD26xID18x1.0t	3	3			
25	A1280116	PLUG, DRAIN M18x1.5	3	3			
26	A1280145	BOLT, HEX, F-THRD	2	2			
27	A1280110	GUAGE, OIL LEVEL	1	1			
28	A1822080	PLUG PF3/8	1	1			
29	A1823245	SEAL, BONDED φ16.8x1.5t	1	1			
29	A1280184	GUIDE, PTO COVER	1	1			

TRANSMISSION CASE

FIG. 3-4

G. 250, 280



TRANSMISSION CASE

A-C38, B-C45

A-C38, B-C45

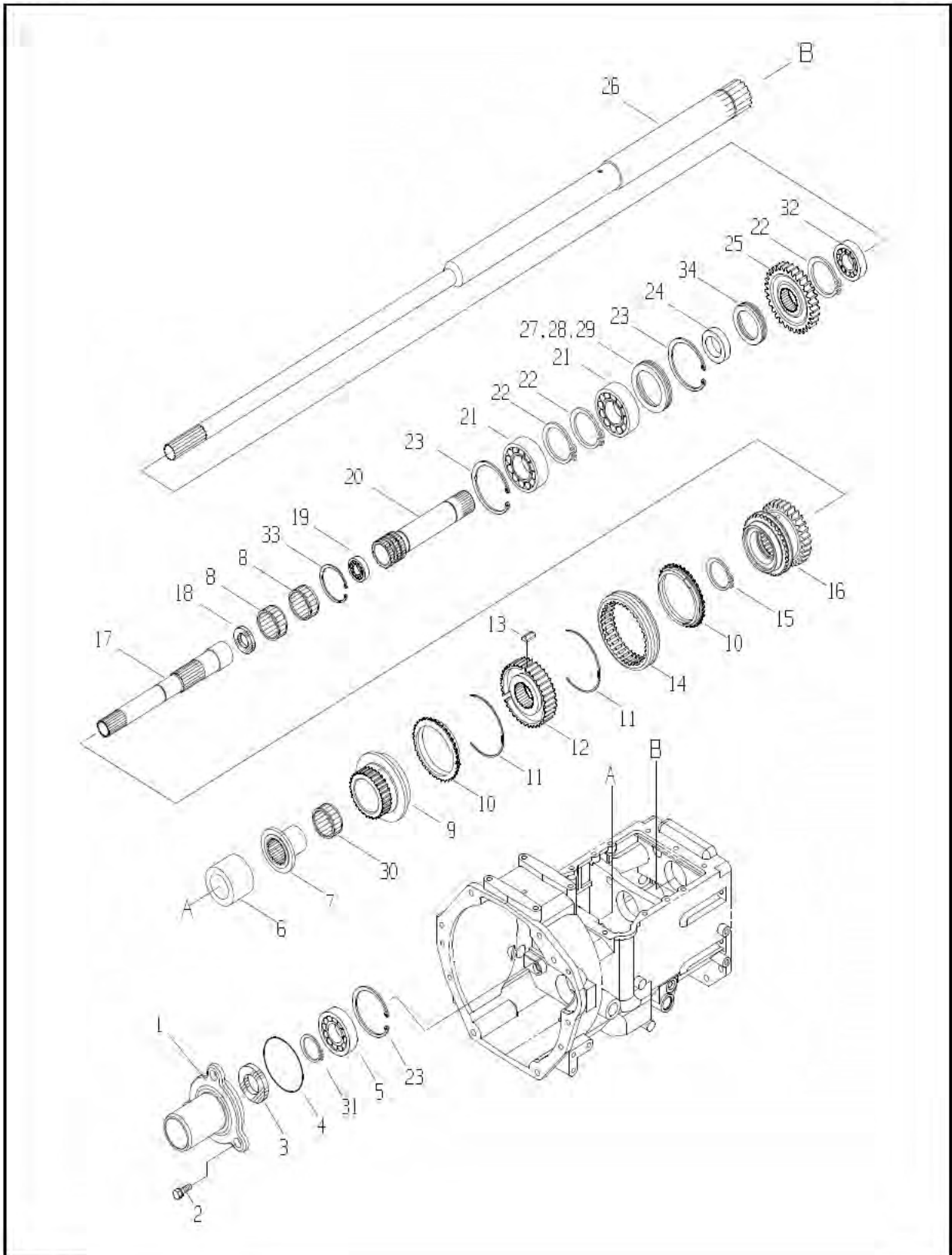
FIG. 3-4

NO.	PART NO.	PART NAME & DESCRIPTION	QTY			APP. NO	REM.
			A	B	C		
1	A1250120	HOUSING, CLUTCH	1	1			
2	A1292144	COVER, CLUTCH HOUSING	1	1			
3	S154102533	BOLT, HEX	24	24			
4	S105123543	BOLT, HEX	8	8			
5	S139123523	BOLT, STUD	2	2			
6	S361120013	WASHER, SPRING	18	18			
7	S305120013	NUT, HEX	2	2			
8	S423102010	PIN, DOWEL	6	6			
9	A10263360	SEAL	3	3			
10	3A1250013	PLUG, MAGNET	2	2			
11	A1280088	COVER, AXLE CASE	1	1			
12	A1280165	SHIELD, PTO	1	1			
13	A1250049	AIR VENT	1	1			
14	A1250123	PIN,SPLIT	1	1			
15	S105124543	BOLT, HEX SMALL	1	1			
16	3A1970068	PLUG	6	6			
17	A1280046	BREATHER, AIR	2	2			
18	A0610281	PLUG, DRAIN	1	1			
19	A1280171	CASE, AXLE	1	1			
20	S804070010	O-RING	2	2			
21	A1280090	COVER, PTO DRV SHAFT	1	1			
22	A1280115	COVER, PTO SHAFT	1	1			
23	Q0650006	GASKET	3	3			
24	A1280116	PLUG, DRAIN	3	3			
25	A1280145	BOLT, HEX, F-THRD	2	2			
26	A1280110	GUAGE, OIL LEVEL	1	1			
27	A1822080	PLUG	1	1			
28	A1823245	SEAL, BONDED	1	1			
29	A1280184	GUIDE	1	1			
30	A05171520	COVER, SAFETY	1	1			

MAIN SHAFT

FIG. 3-5

G. 281



MAIN SHAFT

A-C38, B-C45

A-C38, B-C45

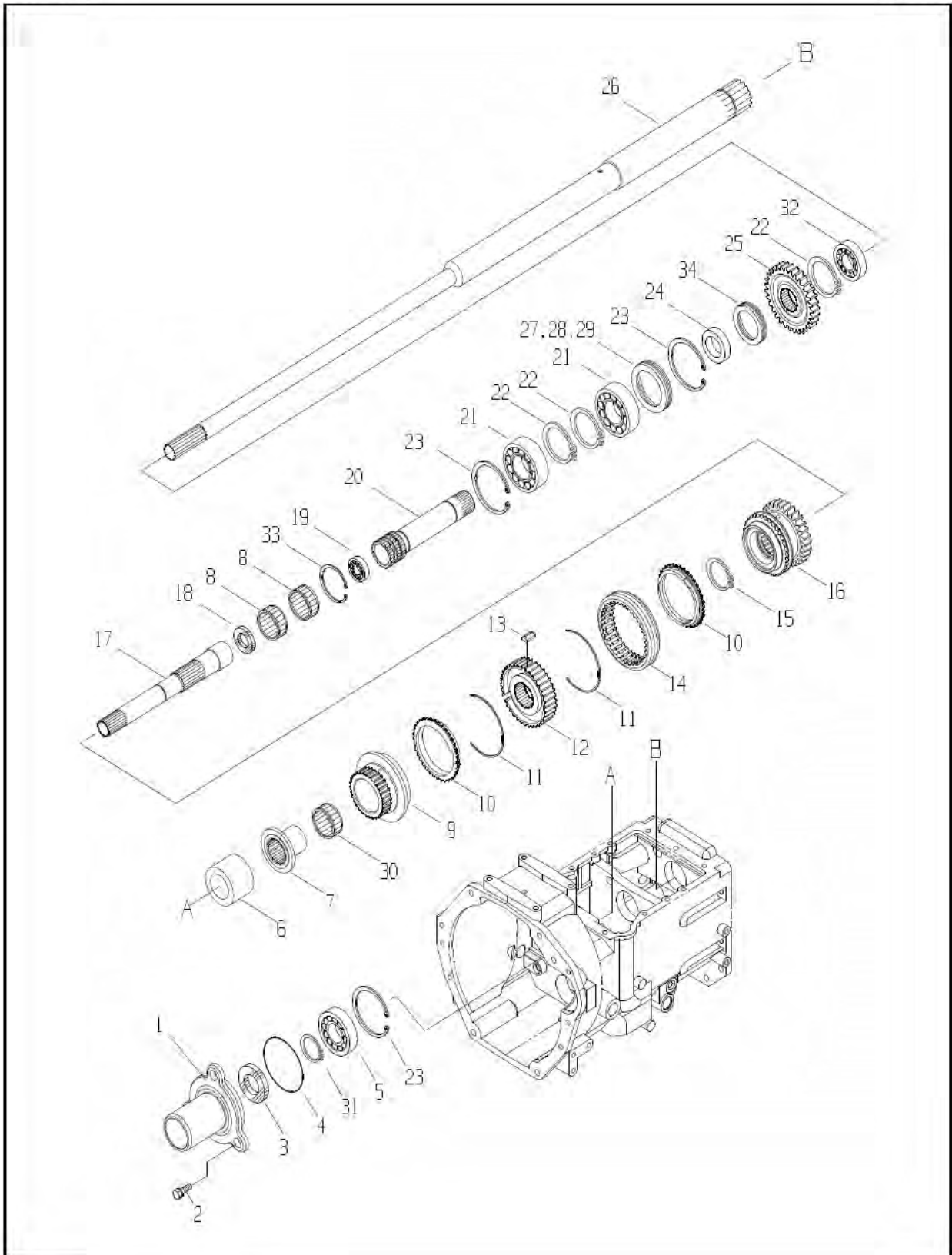
FIG. 3-5

NO.	PART NO.	PART NAME & DESCRIPTION		QTY			APP. NO	REM.
				A	B	C		
1	A1280101	COVER, MAIN SHAFT		1	1			
2	S154102033	BOLT, HEX	M10x1.25x30	3	3			
3	A0651302	SEAL, OIL	TC30458(OD45xID30x8)	1	1			
4	S804060010	O-RING	S60(D60xW2.0)	1	1			
5	A0862060	BEARING, BALL	#6206(OD62xID30x16)	1	1			
6	A1281423	SPACER	OD40xID30x22L	1	1			
7	A1281424	SLEEVE		1	1			
8	A1281165	BEARING, NEEDLE	OD40xID35x13	2	2			
9	A1281422	GEAR, MAIN 25T		1	1			
10	A1281354	RING, SYNCHRO		2	2			
11	3A1281021	SPRING		2	2			
12	A1281384	HUB, F-R SHIFT		1	1			
13	3A1281020	PIECE		3	3			
14	A1281361	SLEEVE		1	1			
15	S810032001	RING, SNAP	D32x1.2t	1	1			
16	A1281482	GEAR, MAIN 30T		1	1			
17	A1281426	SHAFT, MAIN		1	1			
18	A0651201	SEAL, OIL	TC20307(OD30xID20x7)	1	1			
19	A0868040	BEARING, BALL	#6804(OD32xID20x7)	1	1			
20	A1281485	SHAFT, REVERSE DRIVE		1	1			
21	A0869080	BEARING, BALL	#6908(OD62xID40x12)	2	2			
22	S810040001	RING, SNAP	D40x1.75t	3	3			
23	S811062001	RING, SNAP	D62x2t	3	3			
24	A1281481	SPACER	OD48xID40x10.5	1	1			
25	A1281496	GEAR, F-R DRIVE 39T		1	1			
26	A1283221	SHAFT, MAIN PTO		1	1			
27	A0870481	SHIM	OD50xID61x0.15t	1	1			
28	A0870482	SHIM	OD50xID61x0.2t	1	1			
29	A0870485	SHIM	OD50xID61x0.5t	1	1			
30	3A1970157	BEARING, NEEDLE	OD45xID40x27	1	1			
31	S810030001	RING, SNAP	D30x1.5t	1	1			
32	A0868041	BEARING, BALL	#6804(Z)(OD32xID20x7)	1	1			
33	S811032001	RING, SNAP	D32x1.2t	1	1			
34	A0870461	SHIM	OD51xID41x0.15t	2	2			
	A0870462	SHIM	OD51xID41x0.2t	1	1			

MAIN SHAFT

FIG. 3-5

G. 281



MAIN SHAFT

A-C38, B-C45

A-C38, B-C45

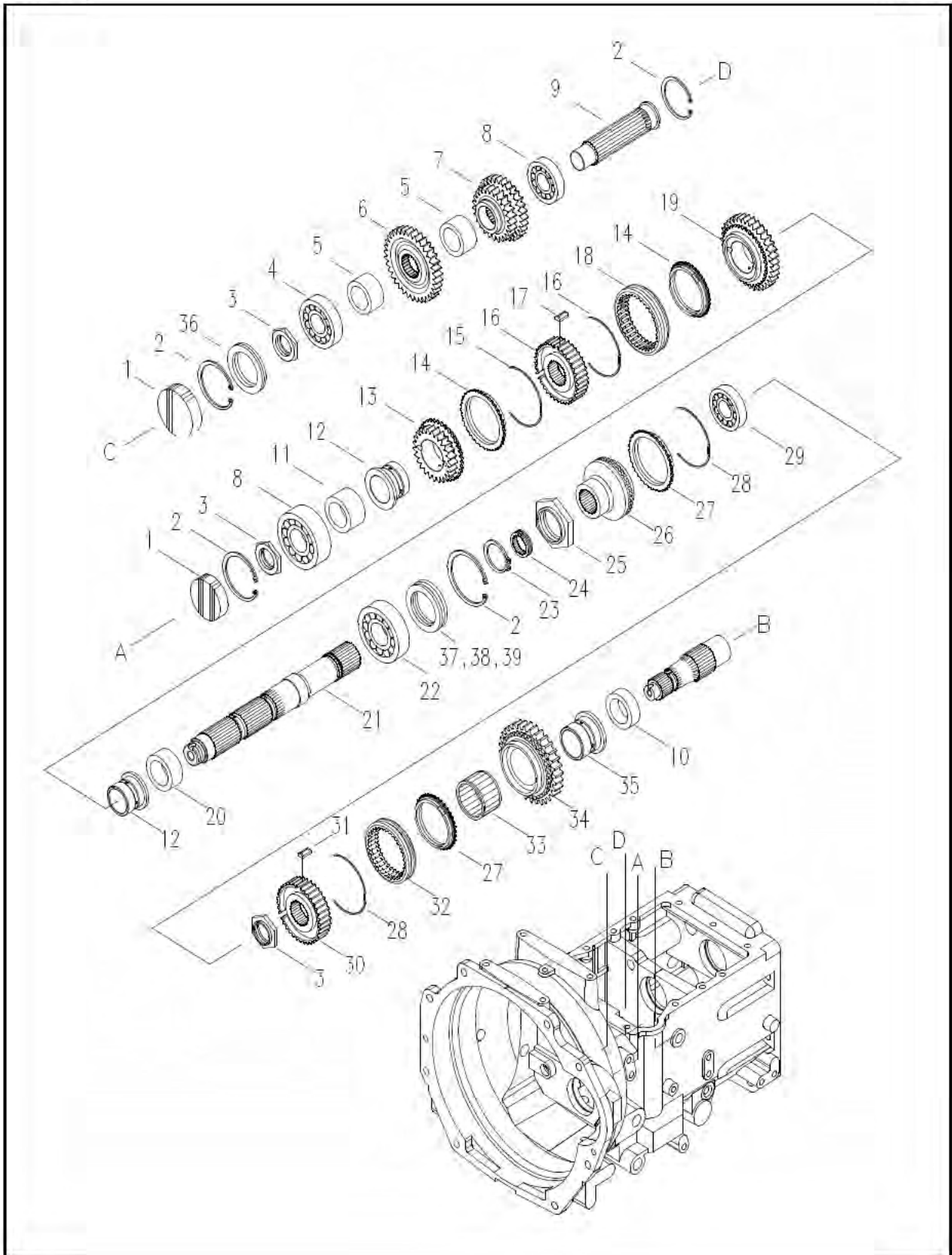
FIG. 3-5

NO.	PART NO.	PART NAME & DESCRIPTION		QTY			APP. NO	REM.
				A	B	C		
1	A1280101	COVER, MAIN SHAFT		1	1			
2	S154102033	BOLT, HEX	M10x1.25x30	3	3			
3	A0651302	SEAL, OIL	TC30458(OD45xID30x8)	1	1			
4	S804060010	O-RING	S60(D60xW2.0)	1	1			
5	A0862060	BEARING, BALL	#6206(OD62xID30x16)	1	1			
6	A1281423	SPACER	OD40xID30x22L	1	1			
7	A1281424	SLEEVE		1	1			
8	A1281165	BEARING, NEEDLE	OD40xID35x13	2	2			
9	A1281422	GEAR, MAIN 25T		1	1			
10	A1281354	RING, SYNCHRO		2	2			
11	3A1281021	SPRING		2	2			
12	A1281384	HUB, F-R SHIFT		1	1			
13	3A1281020	PIECE		3	3			
14	A1281361	SLEEVE		1	1			
15	S810032001	RING, SNAP	D32x1.2t	1	1			
16	A1281482	GEAR, MAIN 30T		1	1			
17	A1281426	SHAFT, MAIN		1	1			
18	A1283194	SEAL, OIL	TC20307(OD30xID20x7)	1	1			
19	A0868040	BEARING, BALL	#6804(OD32xID20x7)	1	1			
20	A1281485	SHAFT, REVERSE DRIVE		1	1			
21	A0869080	BEARING, BALL	#6908(OD62xID40x12)	2	2			
22	S810040001	RING, SNAP	D40x1.75t	3	3			
23	S811062001	RING, SNAP	D62x2t	3	3			
24	A1281481	SPACER	OD48xID40x10.5	1	1			
25	A1281496	GEAR, F-R DRIVE 39T		1	1			
26	A1283221	SHAFT, MAIN PTO		1	1			
27	A0870481	SHIM	OD50xID61x0.15t	1	1			
28	A0870482	SHIM	OD50xID61x0.2t	1	1			
29	A0870485	SHIM	OD50xID61x0.5t	1	1			
30	3A1970157	BEARING, NEEDLE	OD45xID40x27	1	1			
31	S810030001	RING, SNAP	D30x1.5t	1	1			
32	A0868041	BEARING, BALL	#6804(Z)(OD32xID20x7)	1	1			
33	S811032001	RING, SNAP	D32x1.2t	1	1			
34	A0870461	SHIM	OD51xID41x0.15t	2	2			
	A0870462	SHIM	OD51xID41x0.2t	1	1			

MAIN GEAR SHAFT

FIG. 3-6

G. 281



MAIN GEAR SHAFT

A-C38, B-C45

A-C38, B-C45

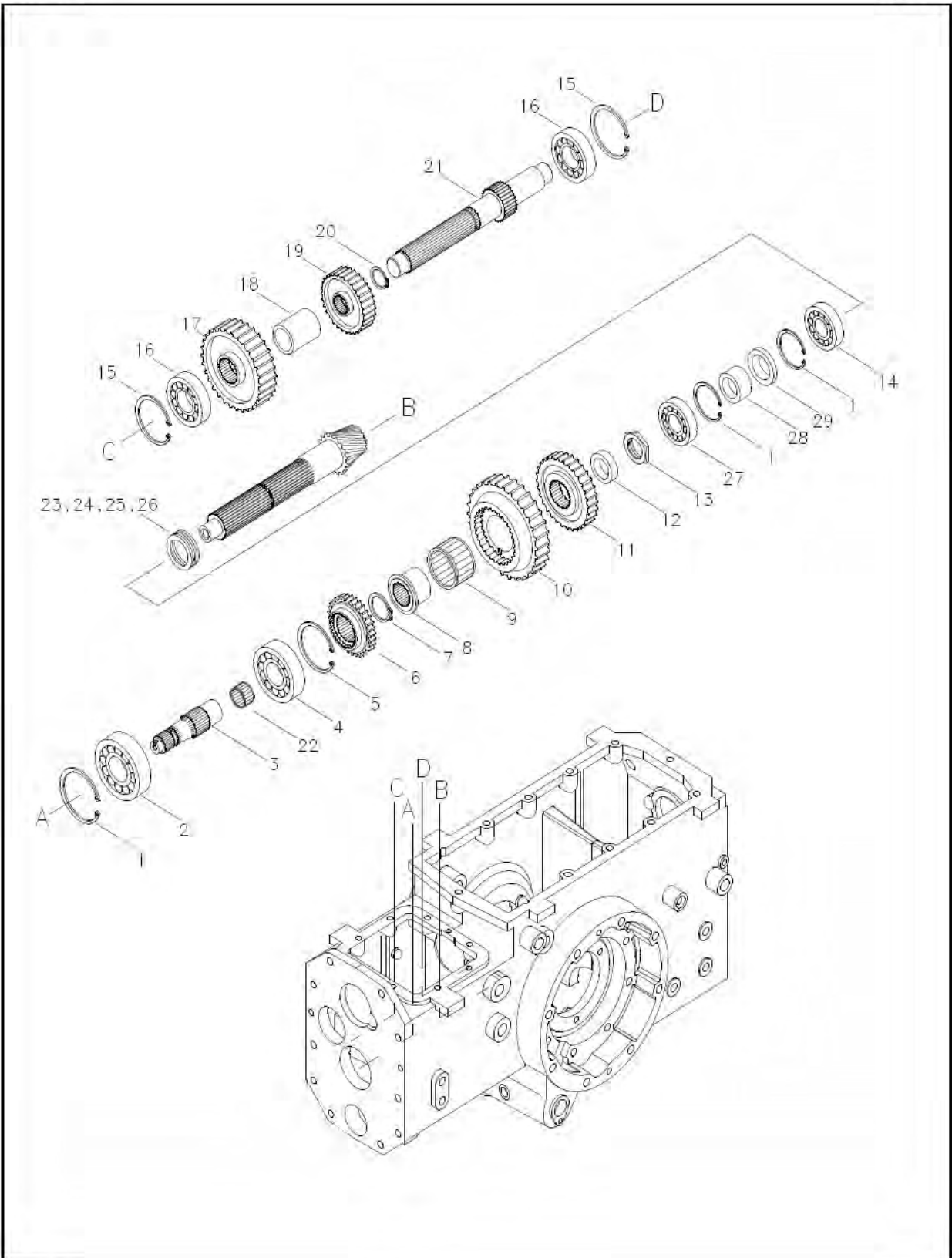
FIG. 3-6

NO.	PART NO.	PART NAME & DESCRIPTION		QTY			APP. NO	REM.
				A	B	C		
1	A1283016	CAP, RUBBER	D62	2	2			
2	S811062001	RING, SNAP	D66.2x2t	4	4			
3	A1281034	NUT, LOCK	M25x1.5	3	3			
4	A0863050	BEARING, BALL	#0863	1	1			
5	A1281507	SPACER	OD42.7xID30X32	2	2			
6	A1281576	GEAR, MAIN 35T	#6206	1	1			
7	A1281577	GEAR, MAIN 25-30T		1	1			
8	A0862060	BEARING, BALL		2	2			
9	A1281502	SHAFT, MAIN 2ND		1	1			
10	A1281319	SPACER		OD45xID35x9.5	1	1		
11	A1281324	SPACER	OD45xID33x30	1	1			
12	A1281297	SLEEVE		2	2			
13	A1281578	GEAR, M/DRVN 25T		1	1			
14	A1281354	RING		2	2			
15	3A1281021	SPRING		2	2			
16	A1281384	HUB	OD33xID45x30	1	1			
17	3A1281020	PIECE		3	3			
18	A1281361	SLEEVE, SHIFT		2	2			
19	A1281579	GEAR, M/DRVN 35T		1	1			
20	A1281323	SPACER		1	1			
21	A1281273	SHAFT, MAIN 3RD		1	1			
22	A0860070	BEARING, BALL	#6007(OD62xID35x14)	1	1			
23	S810032001	RING, SNAP	D29.6x1.2t	1	1			
24	A1281161	SLEEVE		1	1			
25	A0610282	NUT, LOCK	M42x1.5	1	1			
26	A1281446	HUB, SYNCHRO. CLUTCH	D85x65	1	1			
27	A5000053	RING		2	2			
28	A1281398	SPRING		2	2			
29	A0860040	BEARING, BALL	#6004(OD42xID20x12)	1	1			
30	A1281449	HUB		1	1			
31	A1281399	STRUT	OD45xID40x27	3	3			
32	A1281396	SLEEVE, SHIFT		1	1			
33	3A1970157	BEARING, NEEDLE		1	1			
34	A1281447	GEAR, F-R DRIVEN 43T		1	1			
35	A1281046	SLEEVE, GEAR		1	1			
36	A0870488	SHIM	OD50xID61x0.15t	2	2			
37	A0870481	SHIM		AR	AR			
38	A0870482	SHIM	OD50xID61x0.2t	AR	AR			
39	A0870485	SHIM	OD50xID61x0.5t	AR	AR			

RANGE SHIFT SHAFT

FIG. 3-7

G. 285



RANGE SHIFT SHAFT

A-C38, B-C45

A-C38, B-C45

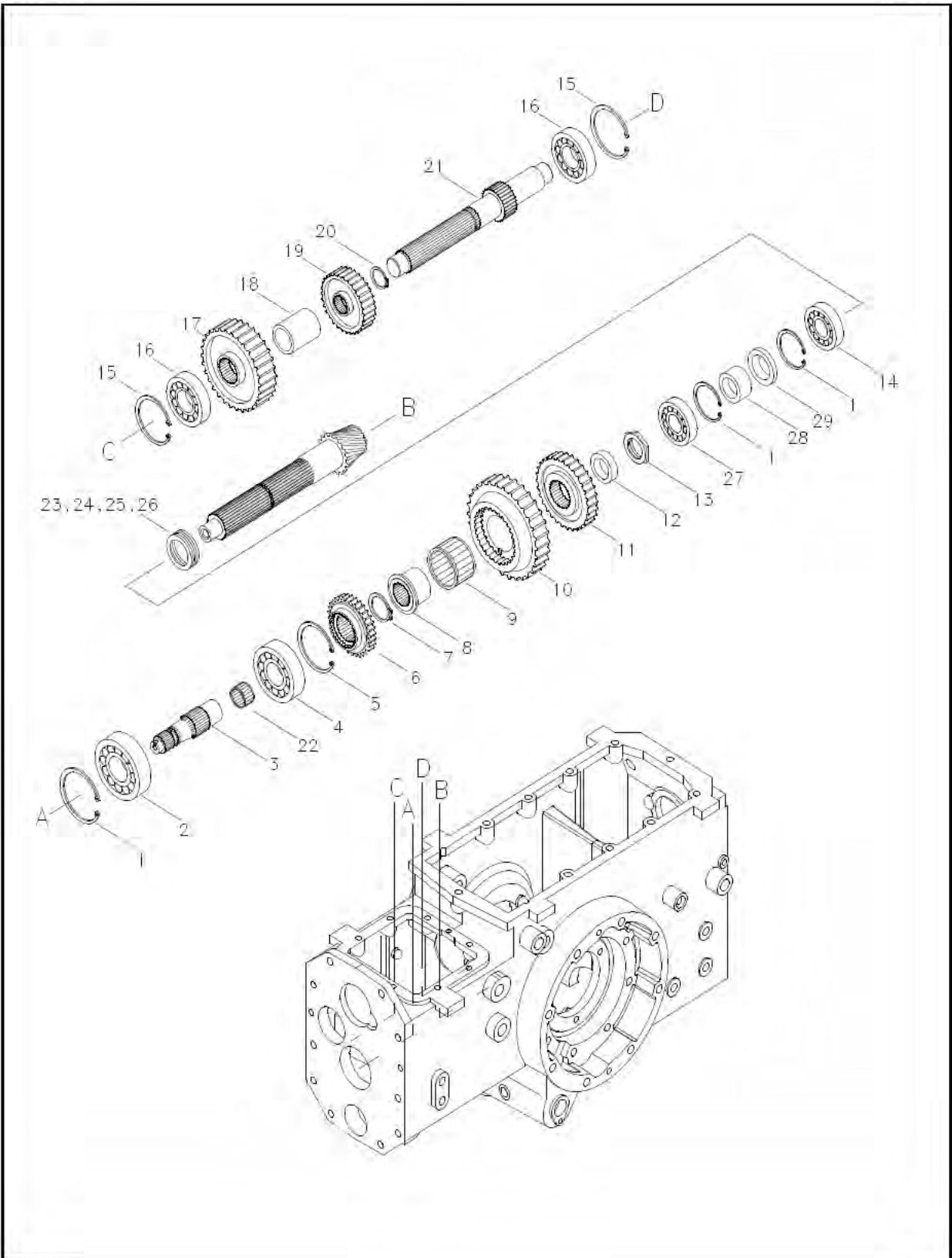
FIG. 3-7

NO.	PART NO.	PART NAME & DESCRIPTION		QTY			APP. NO	REM.
				A	B	C		
1	S811072001	RING, SNAP	D76.5x2.5t	3	3			
2	A0862070	BEARING, BALL	#6207(OD72xID35x17)	1	1			
3	A1285153	SHAFT, SUB DRIVE W/GEAR 14T		1	1			
4	A0860080	BEARING, BALL	#6008(OD68xID40x15)	1	1			
5	S811068001	RING, SNAP	D72.5x2.5t	1	1			
6	A1285156	GEAR, SUB SELECTOR 30T		1	1			
7	S810032001	RING, SNAP	D29.6x1.5t	1	1			
8	A1281303	SLEEVE, F-R		1	1			
9	3A1970157	BEARING, NEEDLE	OD45xID40x27	1	1			
10	A1285141	GEAR, LOW DRIVEN 45T		1	1			
11	A1288063	GEAR, 4WD DRIVE 34T		1	1			
12	A1281319	SPACER	OD45xID35x9.5	1	1			
13	A1287079	NUT, LOCK	M35x1.5	1	1			
14	A1326032	BEARING, TAPER	#32207C(OD72xID35x23)	1	1			
15	S811062001	RING, SNAP	D66.2x2t	2	2			
16	A0863050	BEARING, BALL	#6305(OD62xID25x17)	2	2			
17	A1285154	GEAR, SUB DRIVEN 46T		1	1			
18	A1285151	SPACER	D30x71.5L	1	1			
19	A1285155	GEAR, SUB DRIVEN 30T		1	1			
20	S810030001	RING, SNAP	D27.9x1.5t	1	1			
21	A1285150	SHAFT, SUB DRIVE W/GEAR 14T		1	1			
22	A1970274	BEARING, NEEDLE	K20x26x20	1	1			
23	A0870451	SHIM	OD46xID36x0.15t	1	1			
24	A0870452	SHIM	OD46xID36x0.2t	1	1			
25	A0870455	SHIM	OD46xID36x0.5t	1	1			
26	A0870458	SHIM	OD46xID36x1.0t	1	1			
27	A1326067	BEARING, TAPER		1	1			
28	A1326068	SPACER		1	1			
29	A1326069	SPACER		1	1			

RANGE SHIFT SHAFT

FIG. 3-7

G. 285



RANGE SHIFT SHAFT

A-C38, B-C45

A-C38, B-C45

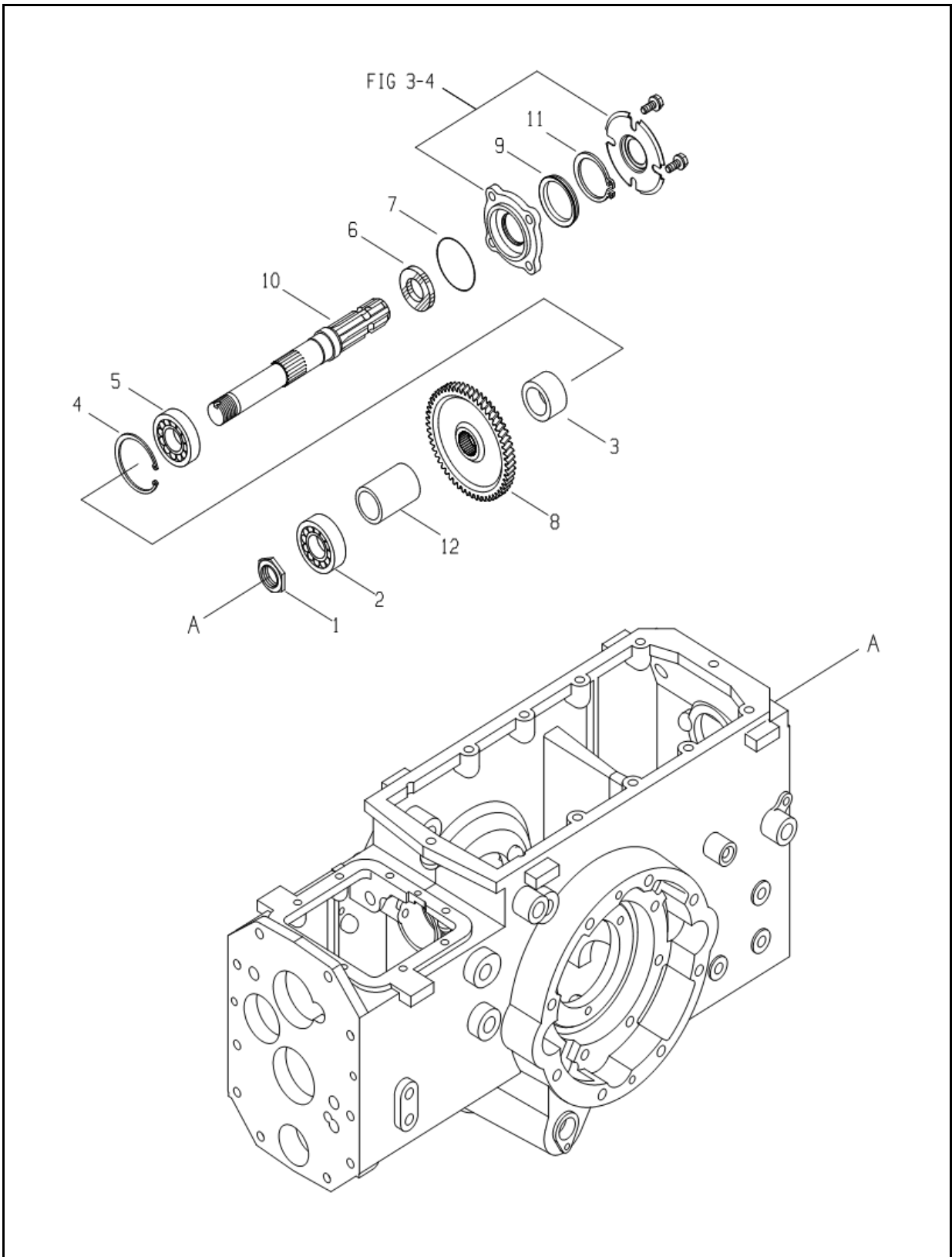
FIG. 3-7

NO.	PART NO.	PART NAME & DESCRIPTION		QTY			APP. NO	REM.
				A	B	C		
1	S811072001	RING, SNAP	D76.5x2.5t	3	3			
2	A0862070	BEARING, BALL	#6207(OD72xID35x17)	1	1			
3	A1285160	SHAFT, SUB DRIVE W/GEAR 14T		1	1			
4	A0860080	BEARING, BALL	#6008(OD68xID40x15)	1	1			
5	S811068001	RING, SNAP	D72.5x2.5t	1	1			
6	A1285149	GEAR, SUB SELECTOR 30T		1	1			
7	S810032001	RING, SNAP	D29.6x1.5t	1	1			
8	A1281303	SLEEVE, F-R		1	1			
9	3A1970157	BEARING, NEEDLE	OD45xID40x27	1	1			
10	A1285141	GEAR, LOW DRIVEN 45T		1	1			
11	A1288063	GEAR, 4WD DRIVE 34T		1	1			
12	A1281319	SPACER	OD45xID35x9.5	1	1			
13	A1287079	NUT, LOCK	M35x1.5	1	1			
14	A1326032	BEARING, TAPER	#32207C(OD72xID35x23)	1	1			
15	S811062001	RING, SNAP	D66.2x2t	2	2			
16	A0863050	BEARING, BALL	#6305(OD62xID25x17)	2	2			
17	A1285138	GEAR, SUB DRIVEN 46T		1	1			
18	A1285151	SPACER	D30x71.5L	1	1			
19	A1285139	GEAR, SUB DRIVEN 30T		1	1			
20	S810030001	RING, SNAP	D27.9x1.5t	1	1			
21	A1285150	SHAFT, SUB DRIVE W/GEAR 14T		1	1			
22	A1970274	BEARING, NEEDLE	K20x26x20	1	1			
23	A0870451	SHIM	OD46xID36x0.15t	1	1			
24	A0870452	SHIM	OD46xID36x0.2t	1	1			
25	A0870455	SHIM	OD46xID36x0.5t	1	1			
26	A0870458	SHIM	OD46xID36x1.0t	1	1			
27	A1326067	BEARING, TAPER		1	1			
28	A1326068	SPACER		1	1			
29	A1326069	SPACER		1	1			

PTO SHAFT

FIG. 3-9B

G. 287



PTO SHAFT

A-C38, B-C45

A-C38, B-C45

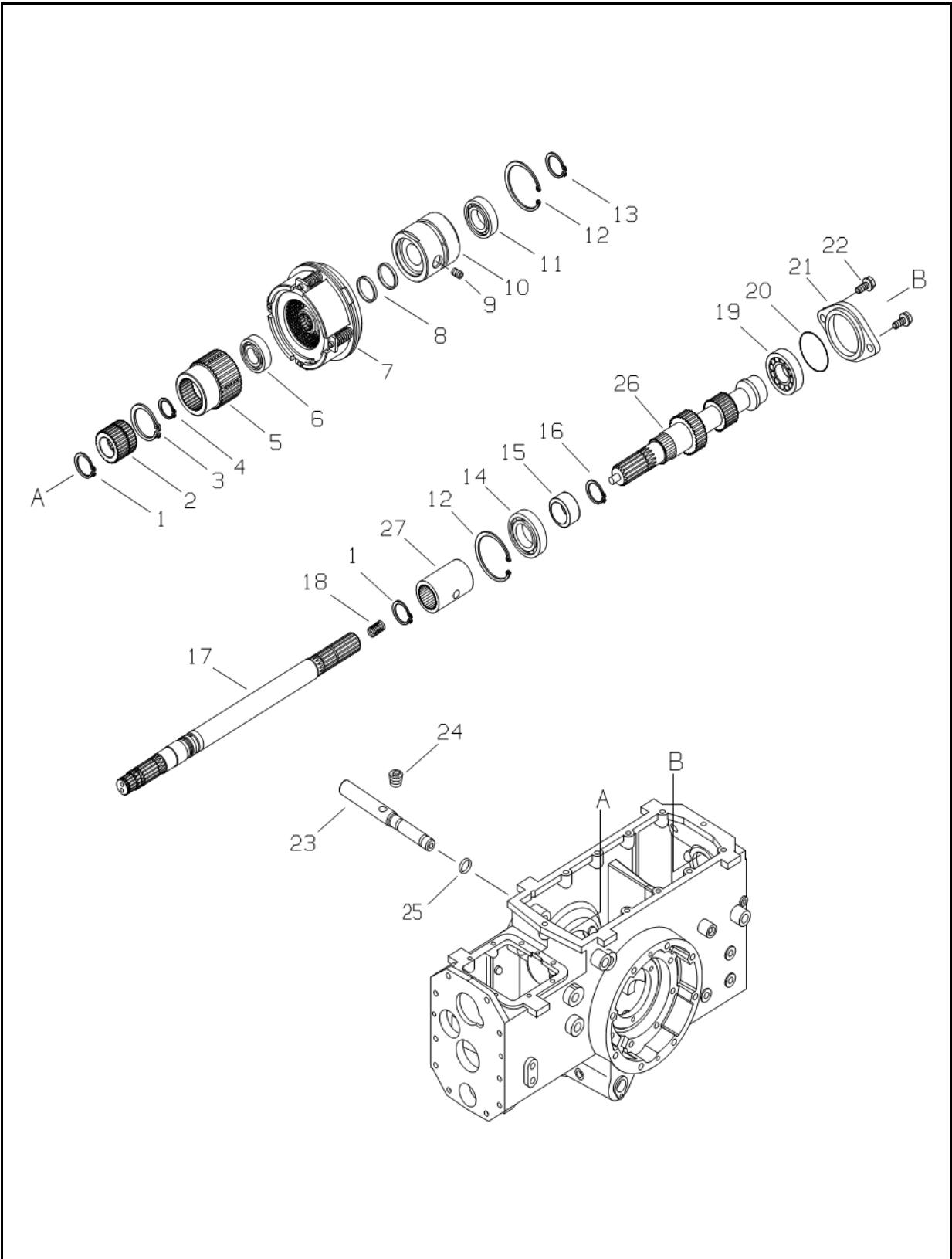
FIG. 3-9B EX, AG, TF (PTO1)

NO.	PART NO.	PART NAME & DESCRIPTION		QTY			APP. NO	REM.
				A	B	C		
1	A1287179	NUT, LOCK	M30x1.5	1	1			
2	A0863060	BEARING, BALL	#6306(OD72xID30x19)	1	1			
3	A1281192	SPACER	OD50xID33x44.5L	1	1			
4	S811072001	RING, SNAP	D72x2.5t	1	1			
5	A0862070	BEARING, BALL	#6207(OD72xID35x17)	1	1			
6	A1287211	SEAL, OIL	OD62xID40x11.5	1	1			
7	S804070010	O-RING	D69.5xW2	1	1			
8	A1287313	GEAR(56T),PTO 1ST DRIVEN		1	1			
9	A0653232	SEAL, DUST		1	1			
10	A1287218	SHAFT, PTO		1	1			
11	S810036001	RING, SNAP		1	1			
12	A1287215	SPACER	OD42xID33x87L	1	1			

PTO DRIVE SHAFT

FIG. 3-10B

G. 283, 287



PTO DRIVE SHAFT

A-C38, B-C45

A-C38, B-C45

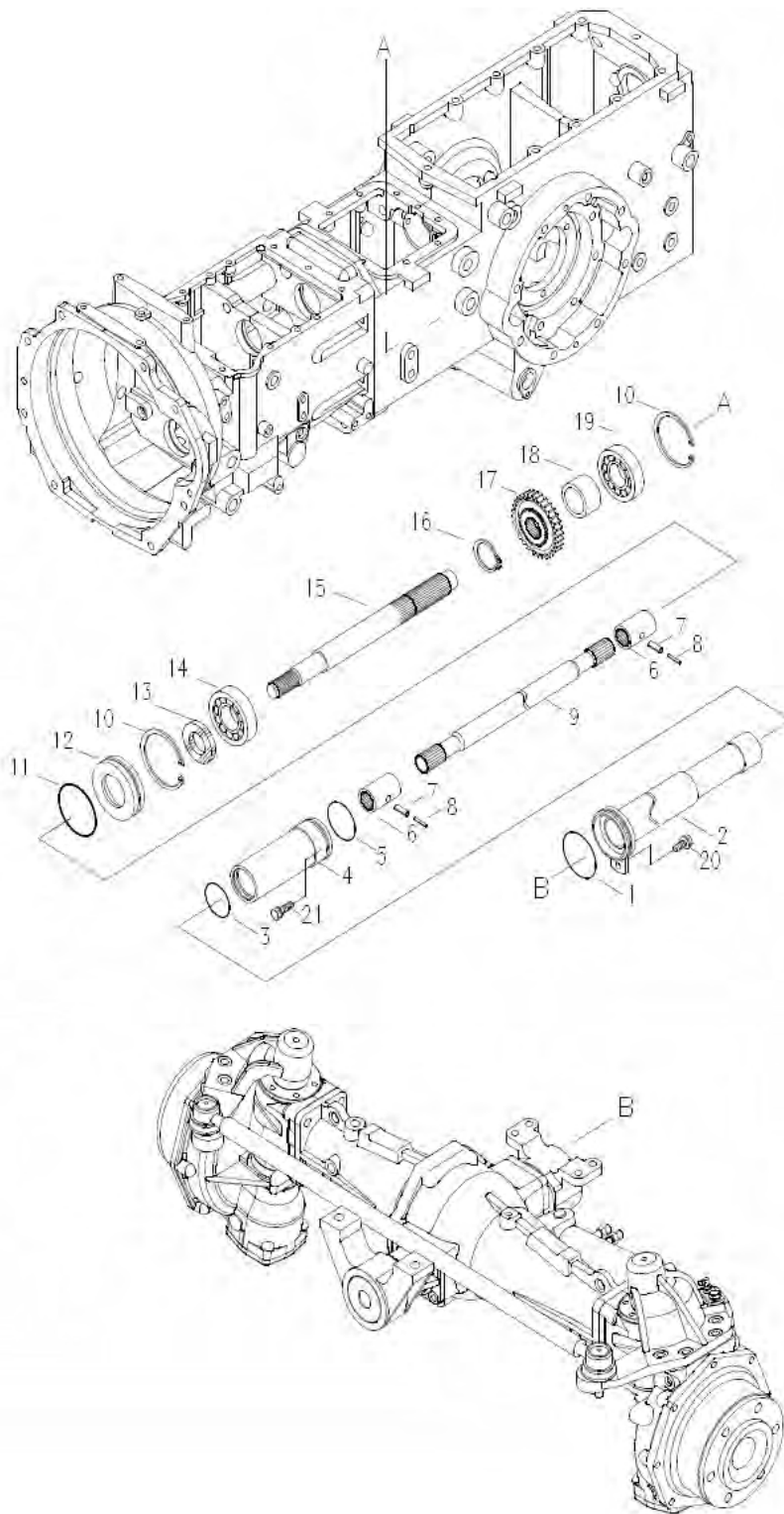
FIG. 3-10B EX, AG, TF (PTO1)

NO.	PART NO.	PART NAME & DESCRIPTION	QTY			APP. NO	REM.
			A	B	C		
1	S810022001	RING, SNAP	D22X1.2T	2	2		
2	A1287290	JOINT		1	1		
3	S810040001	RING, SNAP	D37xW1.75	1	1		
4	S810020001	RING, SNAP		1	1		
5	A1287289	HUB, PTO CLUTCH		1	1		
6	A0860040	BEARING, BALL		1	1		
7	A1287283	CLUTCH ASSY, PTO		1	1		
8	A1281229	RING, PISTON	D25.14X2.5	2	2		
9	S202082021	SCREW, SET. SOC	M8X1.25X20L	1	1		
10	A1287299	SLEEVE, HYD. CIRCUIT		1	1		
11	A0860051	BEARING, BALL		1	1		
12	S811062001	RING, SNAP	D62X2T	2	2		
13	S810025001	RING, SNAP	D25X1.2T	1	1		
14	A0863050	BEARING, BALL		1	1		
15	A1287213	SPACER		1	1		
16	S810030001	RING, SNAP	D57.9xW1.5	1	1		
17	A1287293	SHAFT, PTO DRIVE		1	1		
18	3A1290011	SPRING		1	1		
19	A0863060	BEARING, BALL		1	1		
20	S804070010	O-RING	S70(D70XW2.0)	1	1		
21	A1280090	COVER, PTO SHAFT		1	1		
22	S154102533	BOLT, HEX	M10X1.25X25L	2	2		
23	A1287298	PIPE, H/CLUTCH INPUT		1	1		
24	3A1970052	PLUG	PT 3/8	1	1		
25	S804008010	O-RING	D1.5xW7.5	2	2		
26	A1287295	SHAFT, PTO DRIVE		1	1		
27	A1288028	JOINT		1	1		

FRONT WHEEL DRIVE

FIG. 3-12

G. 288, 380



FRONT WHEEL DRIVE

A-C38, B-C45

A-C38, B-C45

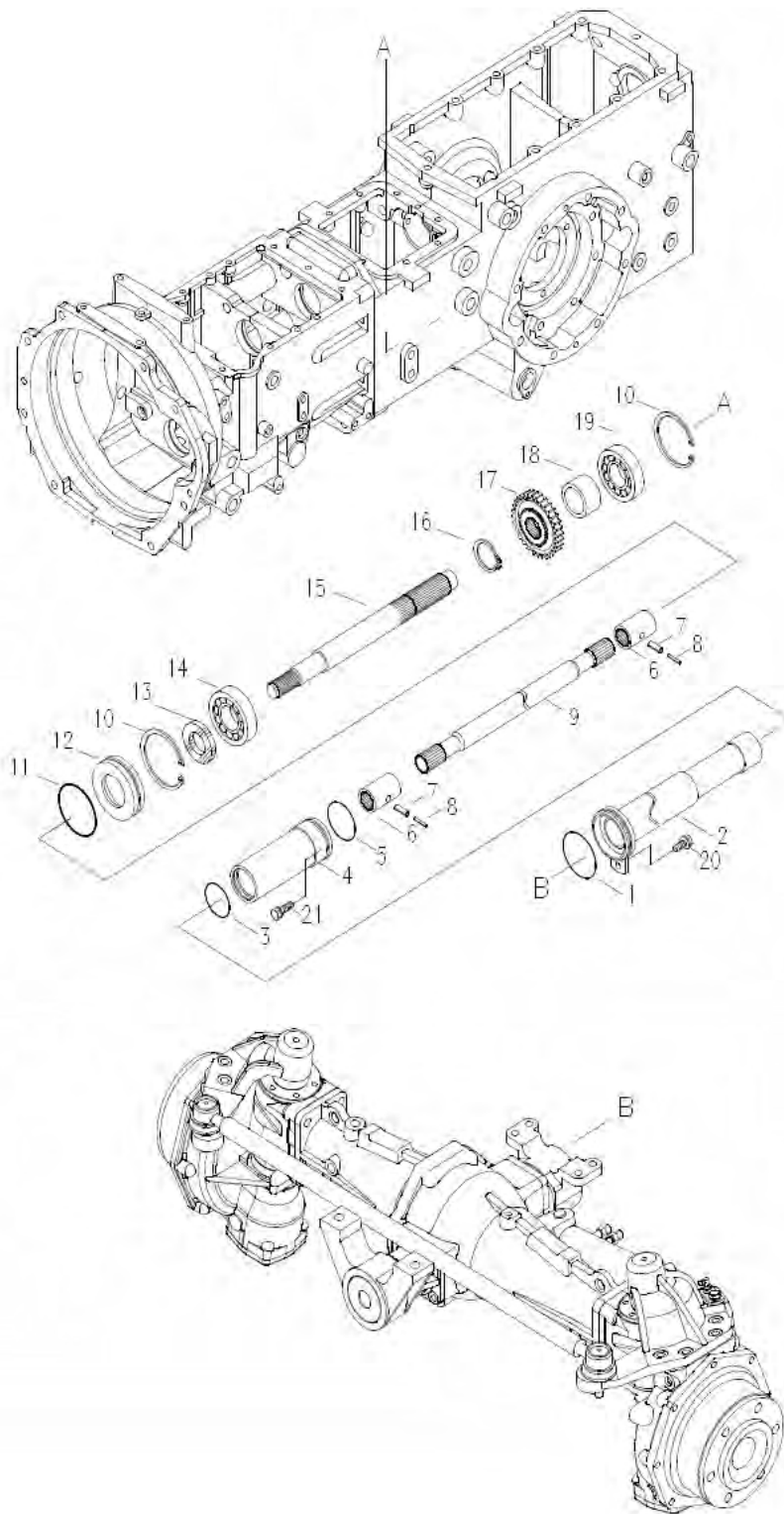
FIG. 3-12

NO.	PART NO.	PART NAME & DESCRIPTION		QTY			APP. NO	REM.
				A	B	C		
1	S802060010	O-RING	D59.4xW3.1	1	1			
2	A1380018	COVER, 4WD FRONT		1	1			
3	S802040010	O-RING	G40(D39.4xW3.1)	1	1			
4	A1380016	COVER, 4WD		1	1			
5	S801046010	O-RING	D45.7xW3.5	1	1			
6-8	A1288044	JOINT ASSY. 4WD		2	2			
6	A1288028	JOINT, 4WD		1	1			
7	S446053210	PIN, SPRING	D5x32	1	1			
8	S446033210	PIN, SPRING	D3x32	1	1			
9	A1288071	SHAFT, 4WD FRONT		1	1			
10	S811052001	RING, SNAP	D56.2x2t	2	2			
11	S801046010	O-RING	D45.7xW3.5	1	1			
12	A1288043	HOUSING, SEAL	D52	1	1			
13	A0651253	SEAL, OIL	TC25-3(OD40xID25x8)	1	1			
14	A0862050	BEARING, BALL	#6205(OD52xID25x15)	1	1			
15	A1288061	SHAFT, 4WD		1	1			
16	S810030001	RING, SNAP	D27.9x1.5t	1	1			
17	A1288064	GEAR, 43T		1	1			
18	A1288065	SPACER	OD25xID35x25L	1	1			
19	A0862052	BEARING, BALL	#6205ZZ(OD52xID25x15)	1	1			
20	S153082533	BOLT, HEX	M8x1.25	1	1			
21	S154102033	BOLT, HEX	M10x1.25	1	1			

FRONT WHEEL DRIVE

FIG. 3-12

G. 288, 380



FRONT WHEEL DRIVE

A-C38, B-C45

A-C38, B-C45

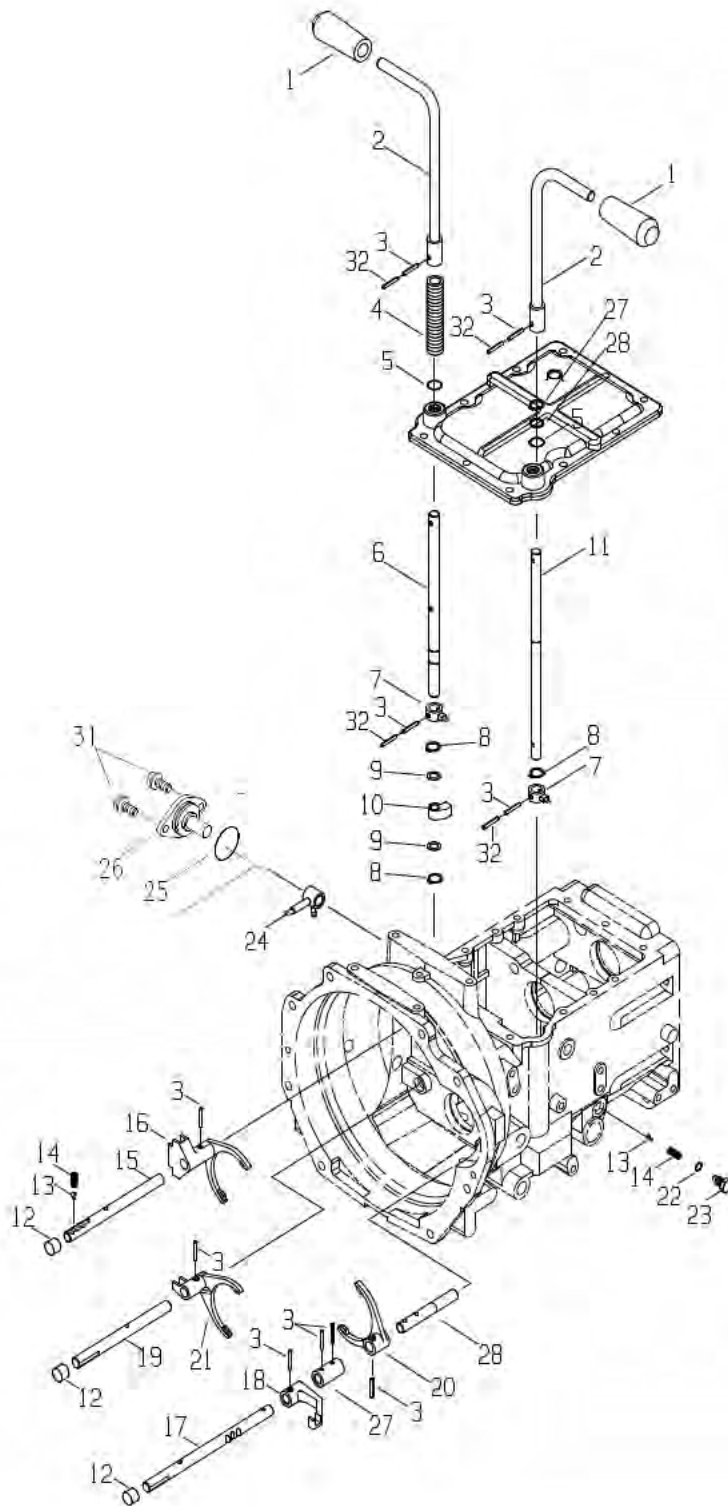
FIG. 3-12

NO.	PART NO.	PART NAME & DESCRIPTION		QTY			APP. NO	REM.
				A	B	C		
1	S802060010	O-RING	D59.4xW3.1	1	1			
2	A1380018	COVER, 4WD FRONT		1	1			
3	S802040010	O-RING	G40(D39.4xW3.1)	1	1			
4	A1380016	COVER, 4WD		1	1			
5	S801046010	O-RING	D45.7xW3.5	1	1			
6	A1288028	JOINT, 4WD		2	2			
7	S446053210	PIN, SPRING	D5x32	2	2			
8	S446033210	PIN, SPRING	D3x32	2	2			
9	A1288071	SHAFT, 4WD FRONT		1	1			
10	S811052001	RING, SNAP	D56.2x2t	2	2			
11	S801046010	O-RING	D45.7xW3.5	1	1			
12	A1288043	HOUSING, SEAL	D52	1	1			
13	A0651253	SEAL, OIL	TC25-3(OD40xID25x8)	1	1			
14	A0862050	BEARING, BALL	#6205(OD52xID25x15)	1	1			
15	A1288061	SHAFT, 4WD		1	1			
16	S810030001	RING, SNAP	D27.9x1.5t	1	1			
17	A1288064	GEAR, 43T		1	1			
18	A1288065	SPACER	OD25xID35x25L	1	1			
19	A0862052	BEARING, BALL	#6205ZZ(OD52xID25x15)	1	1			
20	S153082533	BOLT, HEX	M8x1.25	1	1			
21	S154102033	BOLT, HEX	M10x1.25	1	1			

SHIFT LEVER & FORK

FIG. 3-13

G. 290, 292



SHIFT LEVER & FORK

A-C38, B-C45

A-C38, B-C45

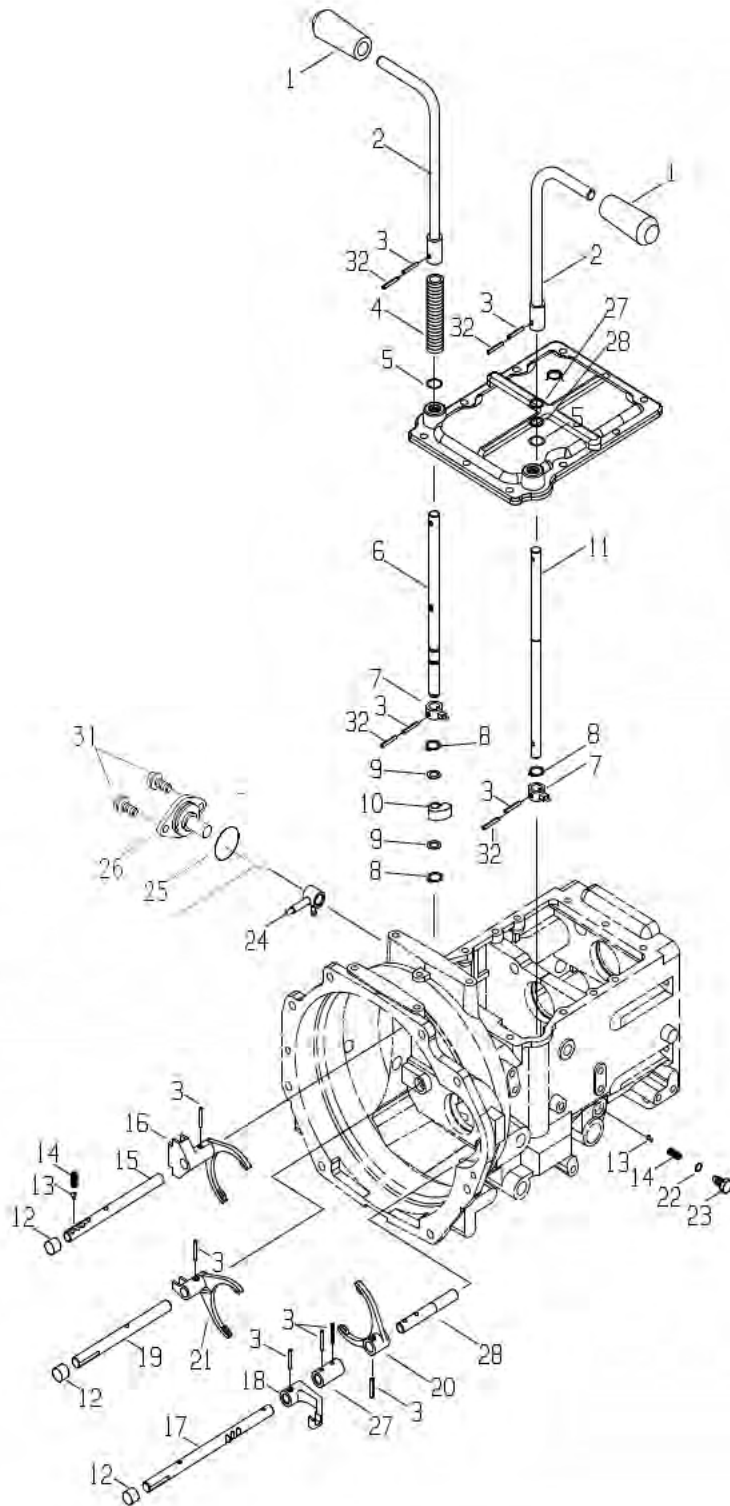
FIG. 3-13

NO.	PART NO.	PART NAME & DESCRIPTION	QTY			APP. NO	REM.
			A	B	C		
1	A1970275	GRIP	2	2			
2	A1292126	HAND LEVER, CHANGE	2	2			
3	S446062510	PIN, SPRING	10	10			
4	A1292129	SPRING	1	1			
5	S801016010	O-RING	2	2			
6	A1290102	LEVER, MAIN CHANGE	1	1			
7	A1290100	ARM, MAIN 1ST	2	2			
8	S810016001	RING, SNAP	3	3			
9	A0660026	SHIM	6	6			
10	A1290098	ADAPTER	1	1			
11	A1290101	LEVER, F-R	1	1			
12	3A1290009	CAP, RAIL	3	3			
13	A20063390	BALL, SHIFTER FORK	2	2			
14	3A1290011	SPRING	2	2			
15	A1290104	RIAL, MAIN 1ST	1	1			
16	A1290093	FORK, MAIN 1ST	1	1			
17	A1290116	RAIL, F-R	1	1			
18	A1290108	ADAPTER, F-R	1	1			
19	A1290106	RAIL, MAIN 2ND	1	1			
20	A1290115	FORK, F-R	1	1			
21	A1290094	FORK, MAIN 2ND	1	1			
22	S801010A10	O-RING	1	1			
23	A1291145	BOLT, RAIL	1	1			
24	A1290097	ARM, MAIN 2ND	1	1			
25	S801042010	O-RING	1	1			
26	A1290131	SUPPORT, ARM SHAFT	1	1			
27	A1290117	ADAPTER, F-R	1	1			
28	A1290111	RAIL, F-R 2ND	1	1			
29	S814015001	RING, SNAP(E) S.	1	1			
30	S364160013	WASHER, PLN. F-RD	1	1			
31	S154102033	BOLT, HEX. W/WASHER	2	2			
32	A0621025	PIN, SPRING	1	1			

SHIFT LEVER & FORK

FIG. 3-13

G. 290, 292



SHIFT LEVER & FORK

A-C38, B-C45

A-C38, B-C45

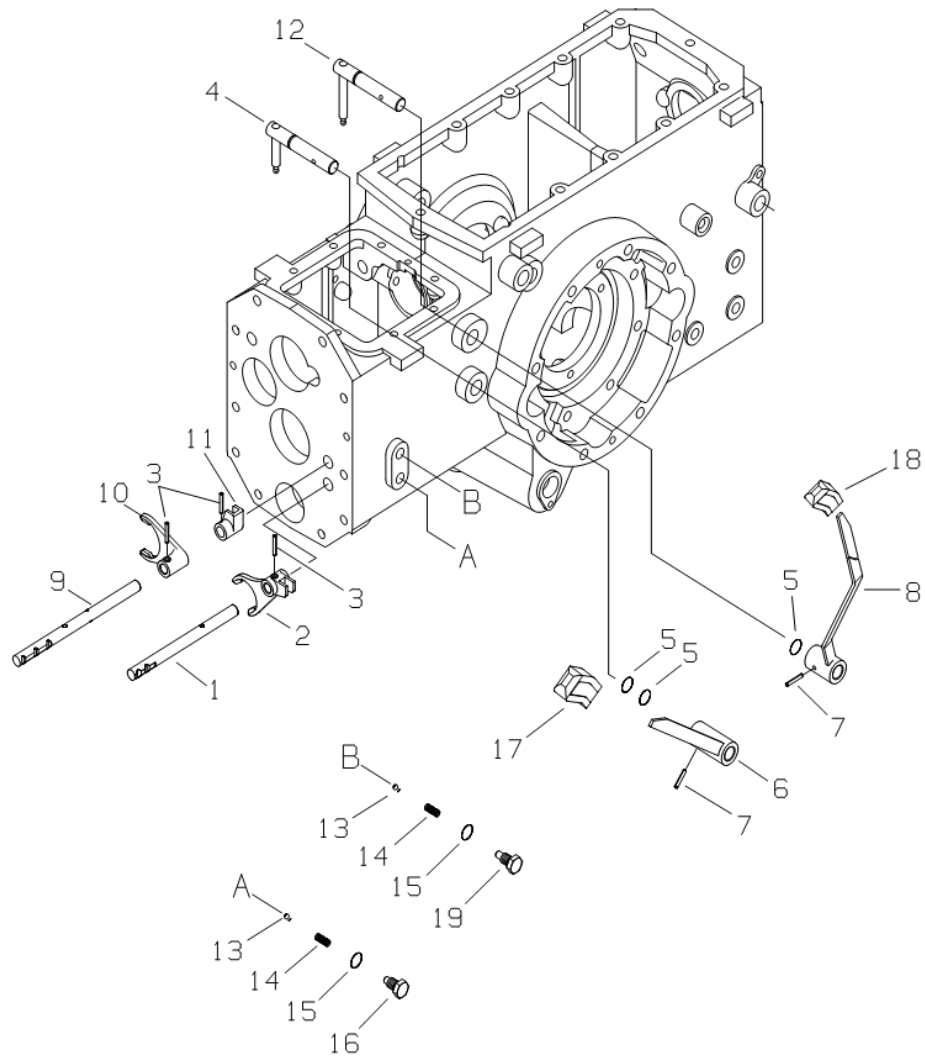
FIG. 3-13

NO.	PART NO.	PART NAME & DESCRIPTION	QTY			APP. NO	REM.
			A	B	C		
1	A1970275	GRIP	2	2			
2	A1292126	HAND LEVER, CHANGE	2	2			
3	S446062510	PIN, SPRING	10	10			
4	A1292129	SPRING	1	1			
5	S801016010	O-RING	2	2			
6	A1290102	LEVER, MAIN CHANGE	1	1			
7	A1290100	ARM, MAIN 1ST	2	2			
8	S810016001	RING, SNAP	3	3			
9	A0660026	SHIM	6	6			
10	A1290098	ADAPTER	1	1			
11	A1290101	LEVER, F-R	1	1			
12	3A1290009	CAP, RAIL	3	3			
13	A20063390	BALL, SHIFTER FORK	2	2			
14	3A1290011	SPRING	2	2			
15	A1290104	RIAL, MAIN 1ST	1	1			
16	A1290093	FORK, MAIN 1ST	1	1			
17	A1290116	RAIL, F-R	1	1			
18	A1290108	ADAPTER, F-R	1	1			
19	A1290106	RAIL, MAIN 2ND	1	1			
20	A1290115	FORK, F-R	1	1			
21	A1290094	FORK, MAIN 2ND	1	1			
22	S801010A10	O-RING	1	1			
23	A1291145	BOLT, RAIL	1	1			
24	A1290097	ARM, MAIN 2ND	1	1			
25	S801042010	O-RING	1	1			
26	A1290131	SUPPORT, ARM SHAFT	1	1			
27	A1290117	ADAPTER, F-R	1	1			
28	A1290111	RAIL, F-R 2ND	1	1			
29	S814015001	RING, SNAP(E) S.	1	1			
30	S364160013	WASHER, PLN. F-RD	1	1			
31	S154102033	BOLT, HEX, W/WASHER	2	2			

SHIFT LEVER & FORK

FIG. 3-14B

G. 290, 292



SHIFT LEVER & FORK

A-C38, B-C45

A-C38, B-C45

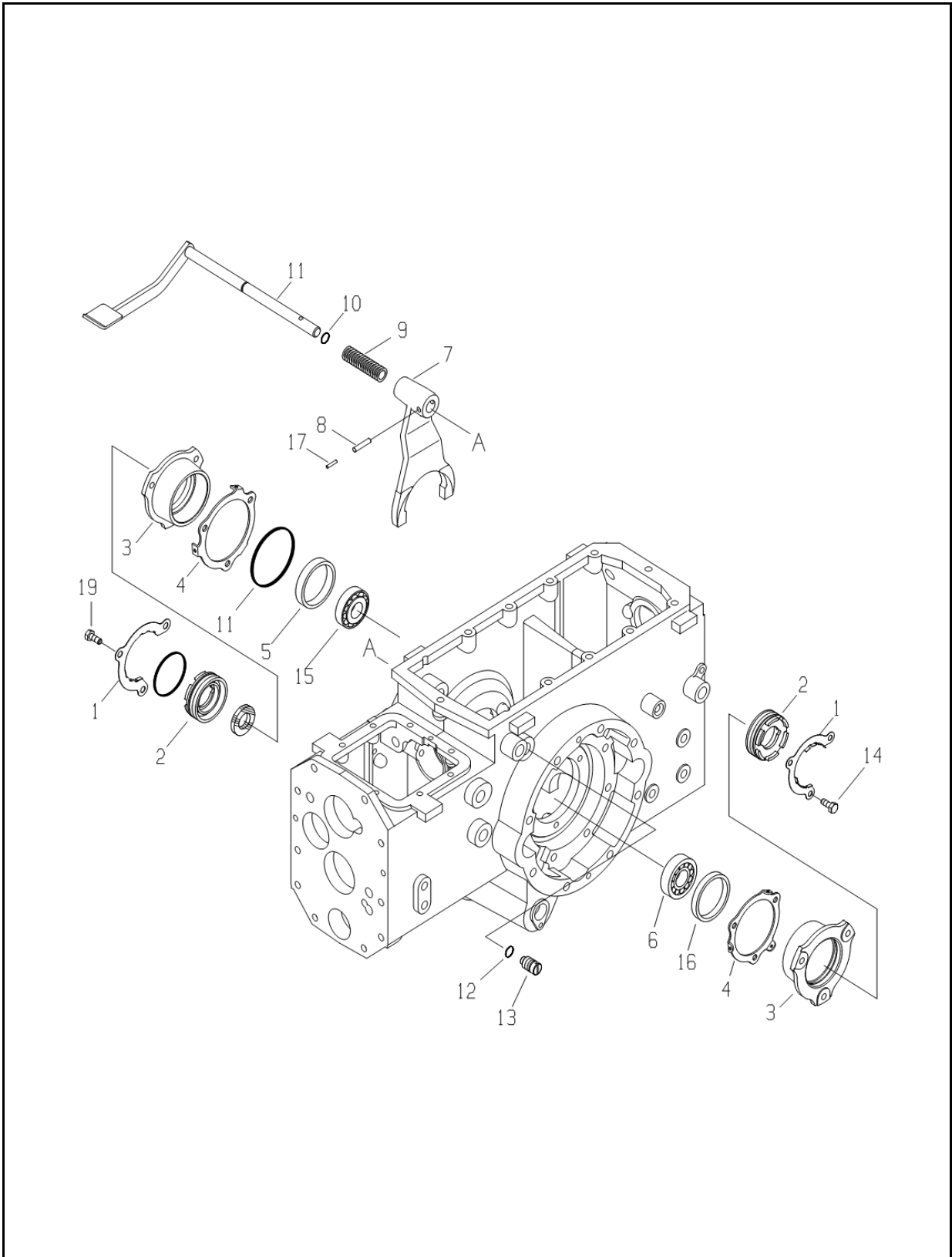
FIG. 3-14B EX, AG, TF (PTO1)

NO.	PART NO.	PART NAME & DESCRIPTION	QTY			APP. NO	REM.
			A	B	C		
1	A1291144	RAIL, 4WD	1	1			
2	A1291135	FORK, 4WD	1	1			
3	S446062510	PIN, SPRING D6x25	3	3			
4	A1291140	LEVER, 4WD	1	1			
5	S801016010	O-RING D15.8xW2.4	3	3			
6	A1293124	HAND LEVER, 4WD	1	1			
7	S446063512	PIN, SPRING D6x35	3	3			
8	A1292127	HAND LVER, SUB CHANGE	1	1			
9	A1291170	RAIL, SUB CHANGE	1	1			
10	A1291163	FORK, SUB CHANGE	1	1			
11	A1291149	ADAPTER, SUB CHANGE	1	1			
12	A1291164	LEVER, SUB CHANGE	1	1			
13	A20063390	BALL, SHIFTER FORK (11/32)	2	2			
14	3A1290011	SPRING	2	2			
15	S801010A10	O-RING D9.8xW2.4	2	2			
16	A1291145	BOLT, RAIL M10x1.75	1	1			
17	A1970241	KNOB, HYD	1	1			
18	A1970299	KNOB, SUB CHANGE	1	1			
19	A1291177	BOLT, RAIL M12x1.75	1	1			

DIFF-LOCK

FIG. 4-1

G. 310



DIFF-LOCK

A-C38, B-C45

A-C38, B-C45

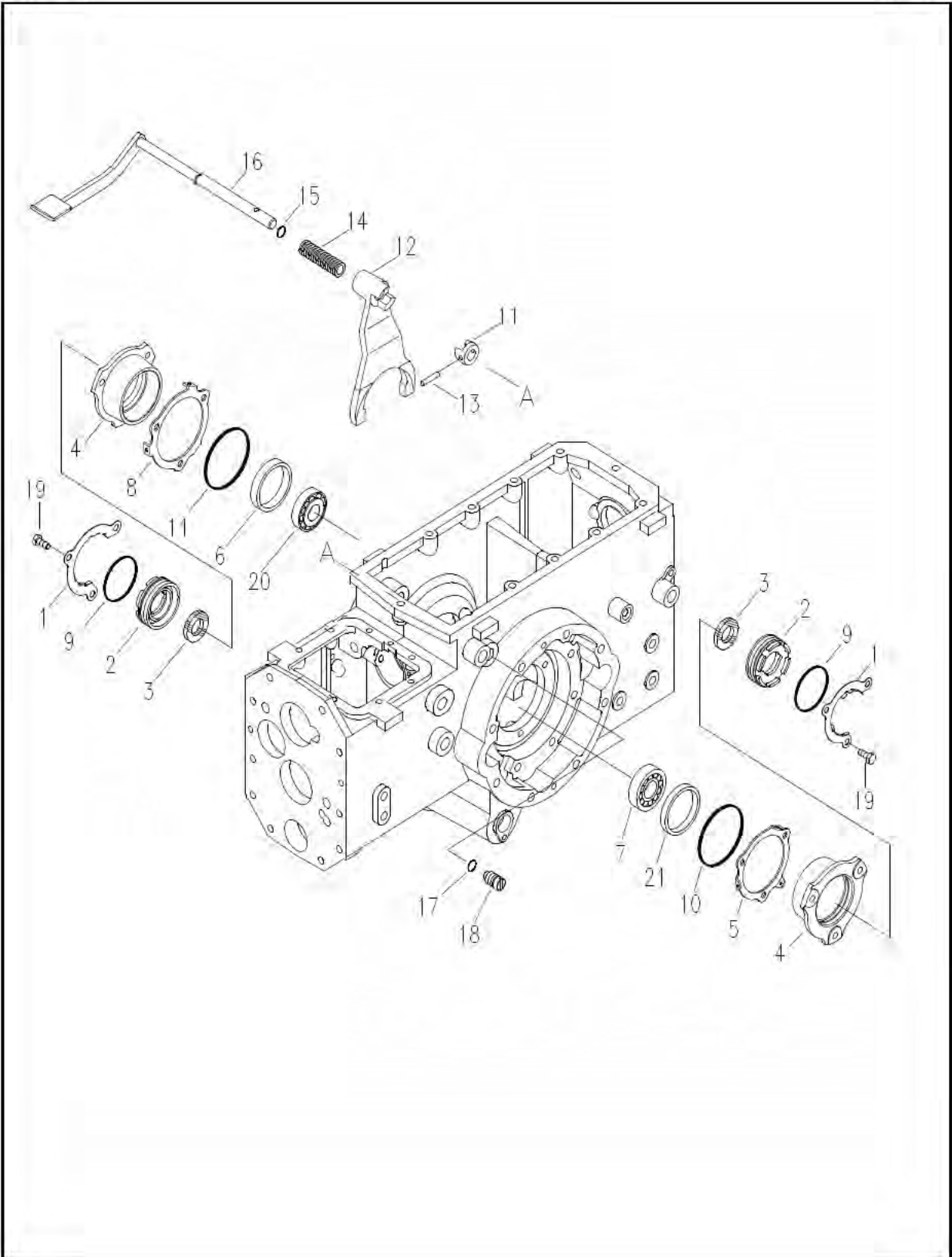
FIG. 4-1

NO.	PART NO.	PART NAME & DESCRIPTION	QTY			APP. NO	REM.
			A	B	C		
1	A1326050	PLATE, LOCK	2	2			
2	3A1326005	SCREW	2	2			
3	A1326048	SUPPORT, DIFF	2	2			
4	A1650074	HOLDER, SPRING(LH)	2	2			
5	A1326051	SPACER	1	1			
6	A0862100	BEARING, BALL	#6210(OD90xID50x20)	1	1		
7	A1320025	FORK, DIFF		1	1		
8	S446084012	PIN, SPRING	D8x40	1	1		
9	A1326047	SPRING		1	1		
10	S801016010	O-RING(G)	D15.8xW2.4	1	1		
11	A1326049	PEDAL, DIFF		1	1		
12	S801021010	O-RING(G)	D20.8xW2.4	1	1		
13	A1326046	SCREW, ADJUST	M22x1.5	1	1		
14	S165102543	BOLT, HEX	M10x1.25	6	6		
15	A26799980	BEARING, TAPER ROLLER	#30210(OD90xID50x21.75)	1	1		
16	A1326052	SPACER	OD89.1xID77x8	1	1		
17	S446054012	PIN, SPRING	D5x40	1	1		

DIFF-LOCK

FIG. 4-1

G. 310



DIFF-LOCK

A-C38, B-C45

A-C38, B-C45

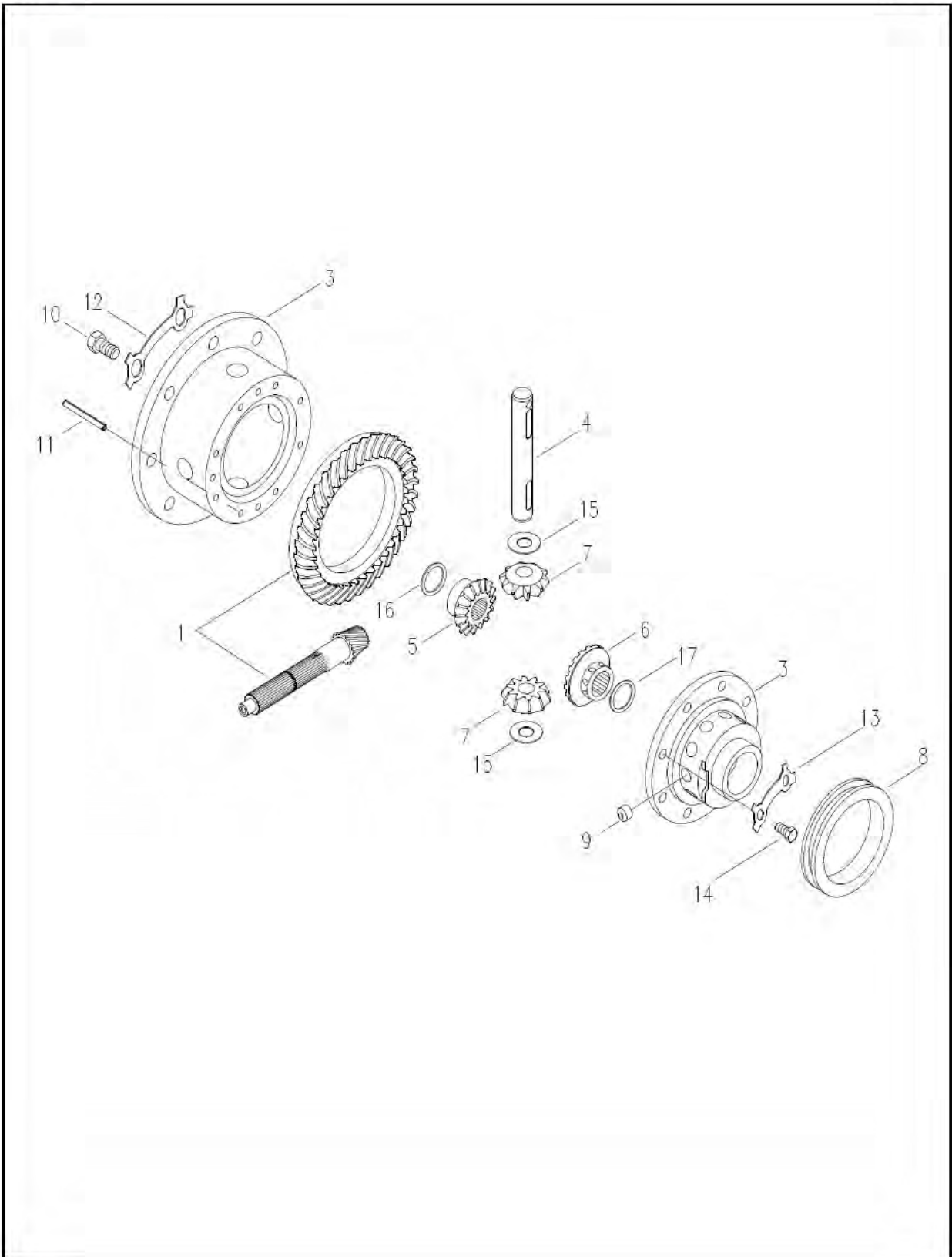
FIG. 4-1

NO.	PART NO.	PART NAME & DESCRIPTION		QTY			APP. NO	REM.
				A	B	C		
1	A1326050	PLATE, LOCK		2	2			
2	3A1326005	GRAND NUT	M85x1.5	2	2			
3	A0653004	SEAL, OIL	TC33x52x11	2	2			
4	A1326048	SUPPORT, DIFF		2	2			
5	A1650074	HOLDER, SPRING(LH)		1	1			
6	A1326051	SPACER	OD89.1xID77x14	1	1			
7	A0862100	BEARING, BALL	#6210(OD90xID50x20)	1	1			
8	A1650075	HOLDER, SPRING(RH)		1	1			
9	S802080010	O-RING(G)	D79.4xW3.1	2	2			
10	S802110010	O-RING(G)	D109.4xW3.1	2	2			
11-12	3A1326013	FORK ASSY		1	1			
11	3A1326015	ADAPTER		1	1			
12	2A1326014	FORK, DIFF		1	1			
13	S446084012	PIN, SPRING	D8x40	1	1			
14	A1326047	SPRING		1	1			
15	S801016010	O-RING(G)	D15.8xW2.4	1	1			
16	A1326049	PEDAL, DIFF		1	1			
17	S801021010	O-RING(G)	D20.8xW2.4	1	1			
18	A1326046	SCREW, ADJUST	M22x1.5	1	1			
19	S165102543	BOLT, HEX	M10x1.25	6	6			
20	A26799980	BEARING, TAPER ROLLER	#30210(OD90xID50x21.75)	1	1			
21	A1326052	SPACER	OD89.1xID77x8	1	1			

REAR DIFERENTIAL

FIG. 4-2

G. 320



REAR DIFERENTIAL

A-C38, B-C45

A-C38, B-C45

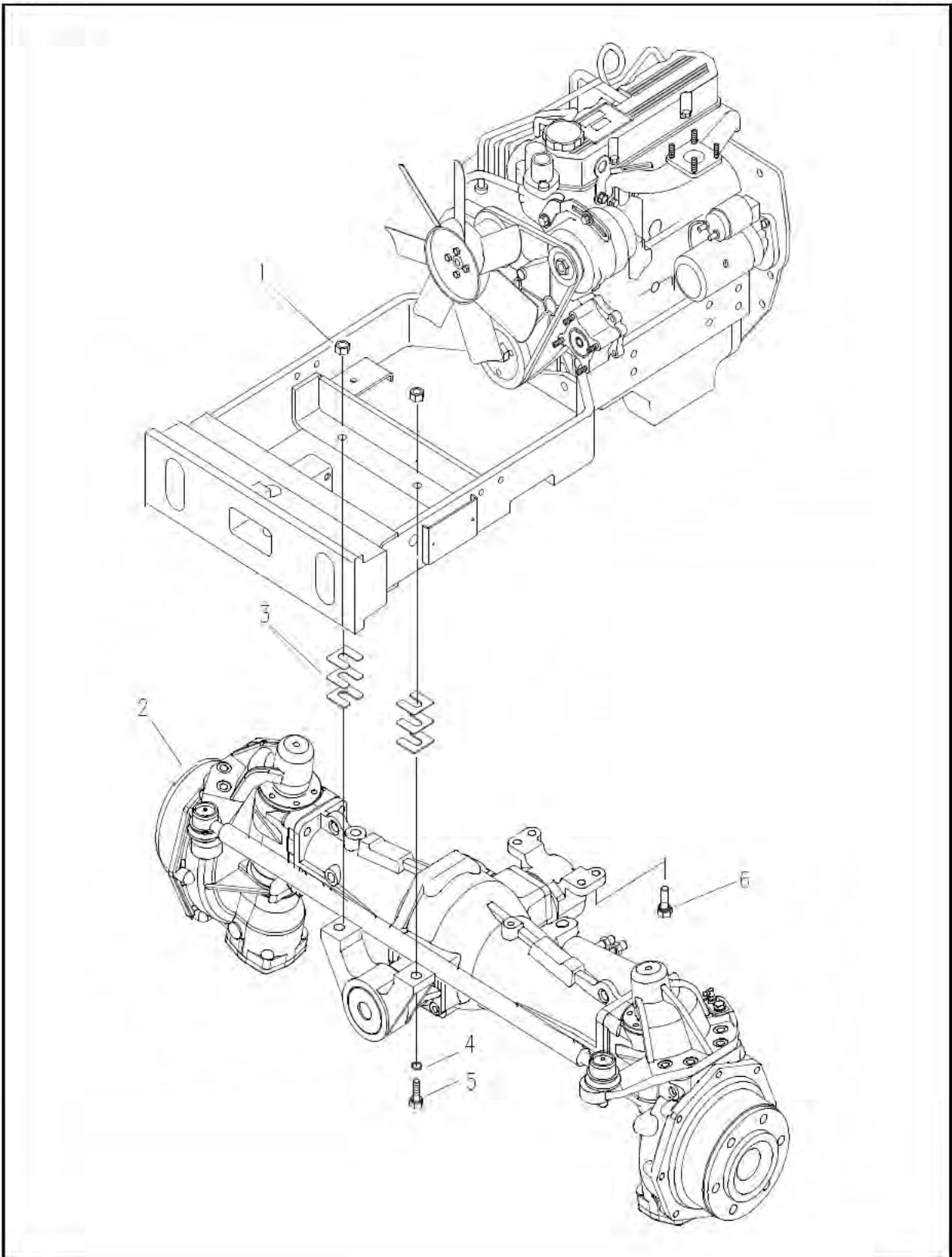
FIG. 4-2

NO.	PART NO.	PART NAME & DESCRIPTION	QTY			APP. NO	REM.
			A	B	C		
1-17	A1324103	DIFF ASSY	1	1			
1	A1324105	PINION & RING GEAR SET	1	1			
2	A1324091	CASE, DIFF. (1)	1	1			
3	A1324074	CASE, DIFF. (2)	1	1			
4	A1324075	SHAFT (1)	1	1			
5	A1324117	GEAR, DIFF. SIDE(LH)	16t	1	1		
6	A1324118	GEAR, DIFF. SIDE(RH)		1	1		
7	A1324116	GEAR, PINION. MATE	10t	2	2		
8	3A1324007	HUB, DIFF-LOCK		1	1		
9	3A1324014	ROLLER	D12x1.5	10	10		
10	A1324090	BOLT, HEX	M12x1.25x23	8	8		
11	S446065010	PIN, SPRING	D6x50	1	1		
12	3A1324012	PLATE, LOCKING	1.0t	4	4		
13	A1324079	WASHER, LOCK (2)	1.0t	4	4		
14	S105082043	BOLT, HEX	M8x1.25	8	8		
15	3A1970123	WASHER, THRUST	OD42.07xID19.45x0.8t	2	2		
16	3A1970122	WASHER, THRUST	OD71.44xID41.47x0.8t	1	1		
17	3A1324003	WASHER, THRUST(LH)	OD74xID55x0.8t	1	1		

FRONT AXLE ASSY

FIG. 5-1

G. 400



FRONT AXLE ASSY

A-C38, B-C45

A-C38, B-C45

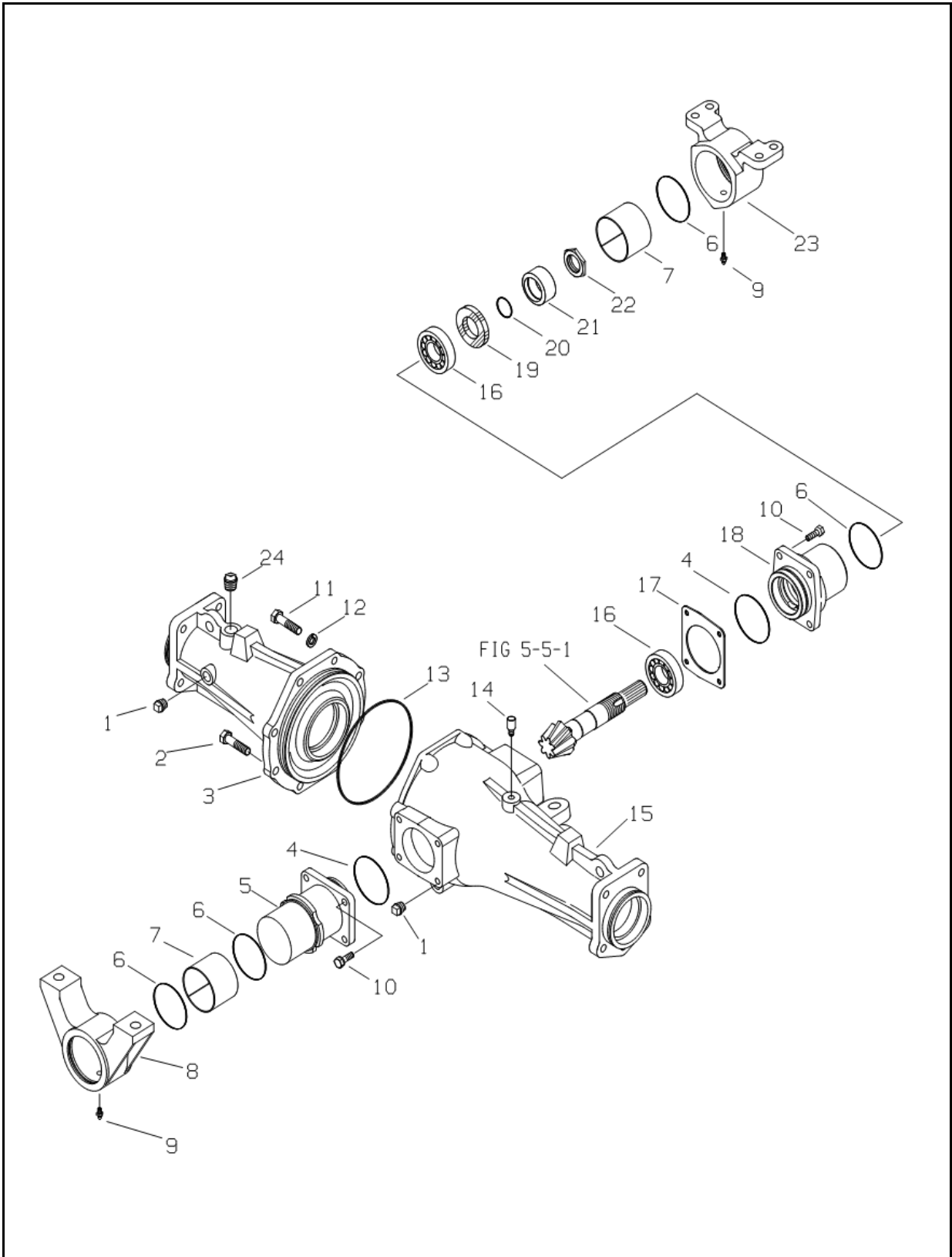
FIG. 5-1

NO.	PART NO.	PART NAME & DESCRIPTION		QTY			APP. NO	REM.
				A	B	C		
1	A1400129	NUT, LOCK	M16x1.5	2	2			
2	A1400287	FRONT AXLE ASSY		1	1			
3	A1400130	LINER, F/AXLE	0.4t	AR	AR			
	A1400131	LINER, F/AXLE	1.2t	AR	AR			
	A1400132	LINER, F/AXLE	2.3t	AR	AR			
4	S361160013	WASHER, SPRING	Φ28×Φ16.2×4t	2	2			
5	S103164543	BOLT, HEX	M16x1.5x45	2	2			
6	S154124033	BOLT, HEX	M12x1.25x40	4	4			

FRONT AXLE CASE

FIG. 5-2

G. 400



FRONT AXLE CASE

A-C38, B-C45

A-C38, B-C45

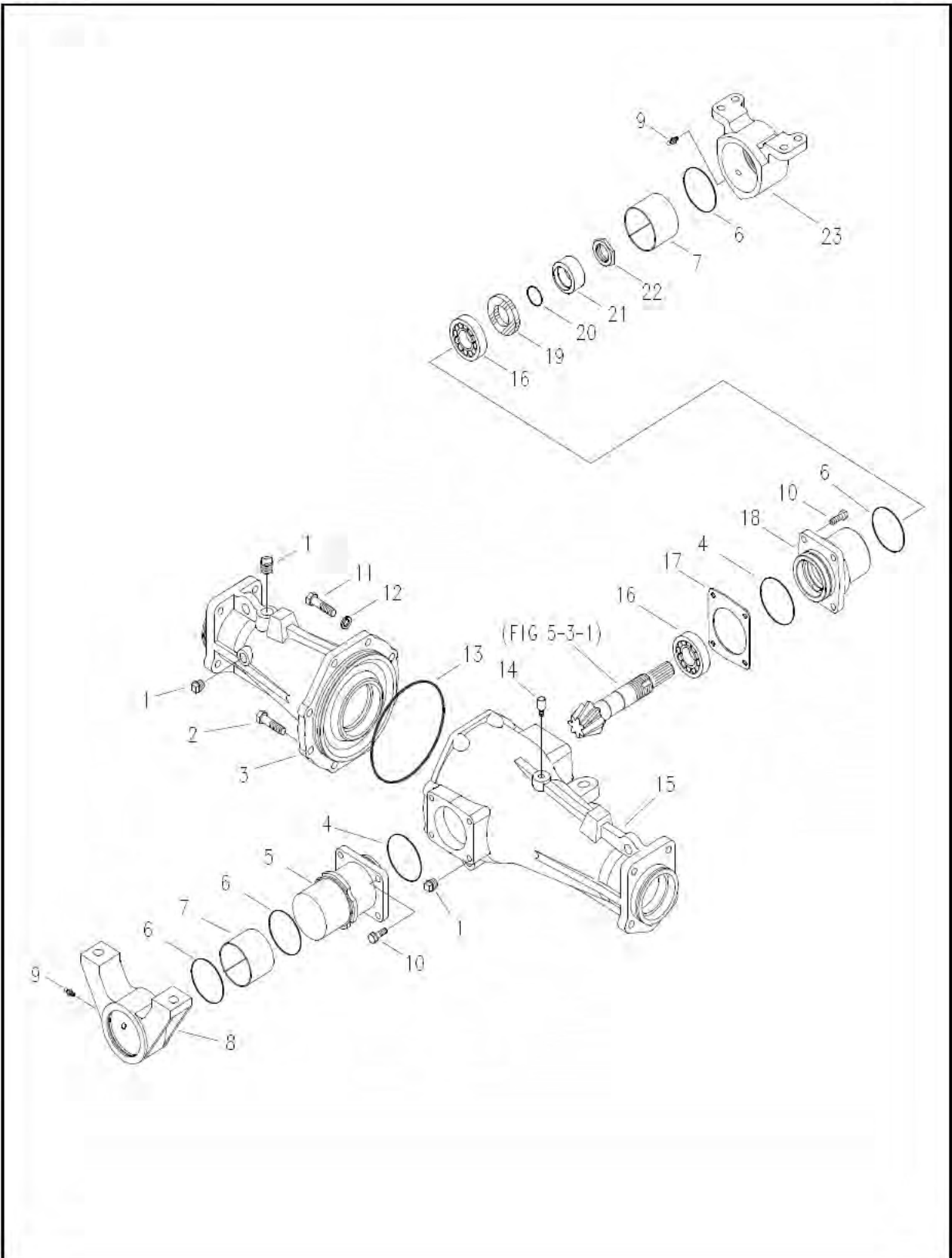
FIG. 5-2

NO.	PART NO.	PART NAME & DESCRIPTION		QTY			APP. NO	REM.
				A	B	C		
1	3A1970052	PLUG, TAPER	PT 3/8	2	2			
2	S153123533	BOLT, HEX. W/WASHER	M12x1.75x35	7	7			
3	A1400163	CENTER(RH)		1	1			
4	S802075010	O-RING	D74.4x3.1	2	2			
5	A1400100	HOLDER, F/PIVOT		1	1			
6	S802080010	O-RING	D79.4x3.1	4	4			
7	3A1970006	BUSHING	80x40	2	2			
8	A1400118	BRACKET, FRONT		1	1			
9	3A1970069	NIPPLE, GREASE	PT 1/8	2	2			
10	S154103033	BOLT, HEX. W/WASHER	M10x1.25x30	8	8			
11	3A1970050	BOLT, REAMER	M12x1.75	1	1			
12	S361120013	WASHER, SPRING	φ21.5xφ12.2x3t	1	1			
13	S802175010	O-RING	D174.3x5.7	1	1			
14	3A1400004	BREATHER, AIR		1	1			
15	A1400164	CENTER(LH)		1	1			
16	A1400093	BEARING, TAPER	#32206C (OD62xID30x21.25)	2	2			
17	3A1970100	SHIM	0.07t	AR	AR			
	3A1970101	SHIM	0.2t	AR	AR			
18	3A1400010	CASE, BEARING		1	1			
19	3A1970012	SEAL, OIL	φ62xφ45x9t	1	1			
20	S801030010	O-RING	D29.7x3.5	1	1			
21	3A1411004	BUSHING, SEAL	φ45x15	1	1			
22	3A1970065	NUT, LOCK	M30x1.5	1	1			
23	A1400119	BRACKET, REAR		1	1			
24	3A1970051	PLUG, TAPER	PT 1/2	1	1			

FRONT AXLE CASE

FIG. 5-2

G. 400



FRONT AXLE CASE

A-C38, B-C45

A-C38, B-C45

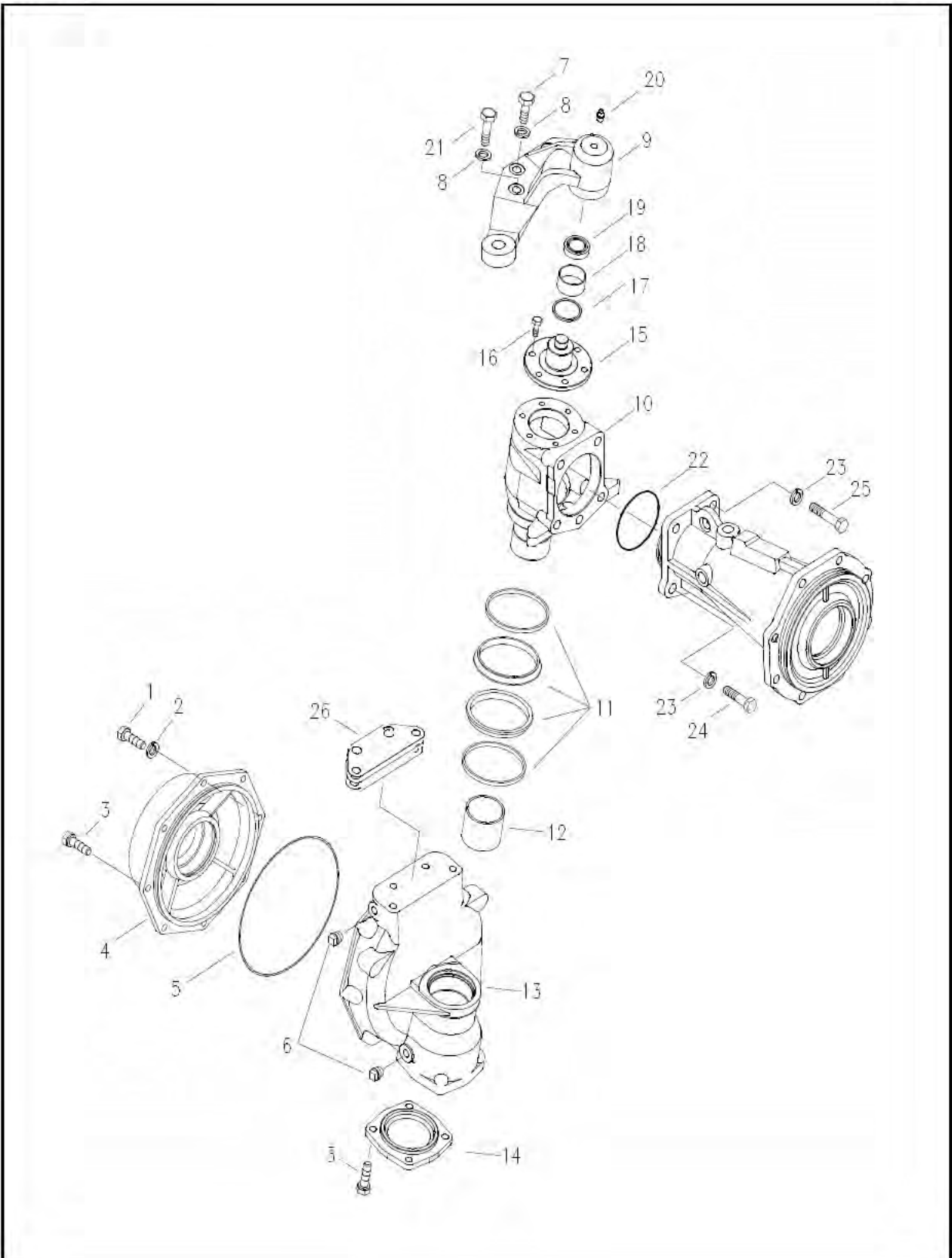
FIG. 5-2

NO.	PART NO.	PART NAME & DESCRIPTION		QTY			APP. NO	REM.
				A	B	C		
1	3A1970052	PLUG, TAPER	PF 3/8	3	3			
2	S153123533	BOLT, HEX . W / WASHER	M12x1.75x35	7	7			
3	A1400163	CENTER (R)		1	1			
4	S802075010	O-RING	D74.4x3.1	2	2			
5	A1400100	HOLDER, F/PIVOT		1	1			
6	S802080010	O-RING	D79.4x3.1	4	4			
7	3A1970006	BUSHING	80x40	2	2			
8	A1400118	BRACKET, FRONT		1	1			
9	3A1970069	NIPPLE, GREASE	PT 1/8	2	2			
10	S154103033	BOLT, HEX . W / WASHER	M10x1.25x30	8	8			
11	3A1970050	BOLT, REAMER	M12x1.75	1	1			
12	S361120013	WASHER, SPRING	Φ21.5xΦ12.2x3t	1	1			
13	S802175010	O-RING	D174.3x5.7	1	1			
14	3A1400004	BREATHER, AIR		1	1			
15	A1400164	CENTER (L)		1	1			
16	A1400093	BEARING, TAPER	#32206C (OD62xID30x21.25)	2	2			
17	3A1970100	SHIM	0.07t	AR	AR			
	3A1970101	SHIM	0.2t	AR	AR			
18	3A1400010	CASE, BEARING		1	1			
19	3A1970012	SEAL, OIL	Φ62xΦ45x9t	1	1			
20	S801030010	O-RING	D29.7x3.5	1	1			
21	3A1411004	BUSHING, SEAL	Φ45x15	1	1			
22	3A1970065	NUT, LOCK	M30x1.5	1	1			
23	A1400119	BRACKET, REAR		1	1			

FRONT AXLE CASE

FIG. 5-3

G. 400



FRONT AXLE CASE

A-C38, B-C45

A-C38, B-C45

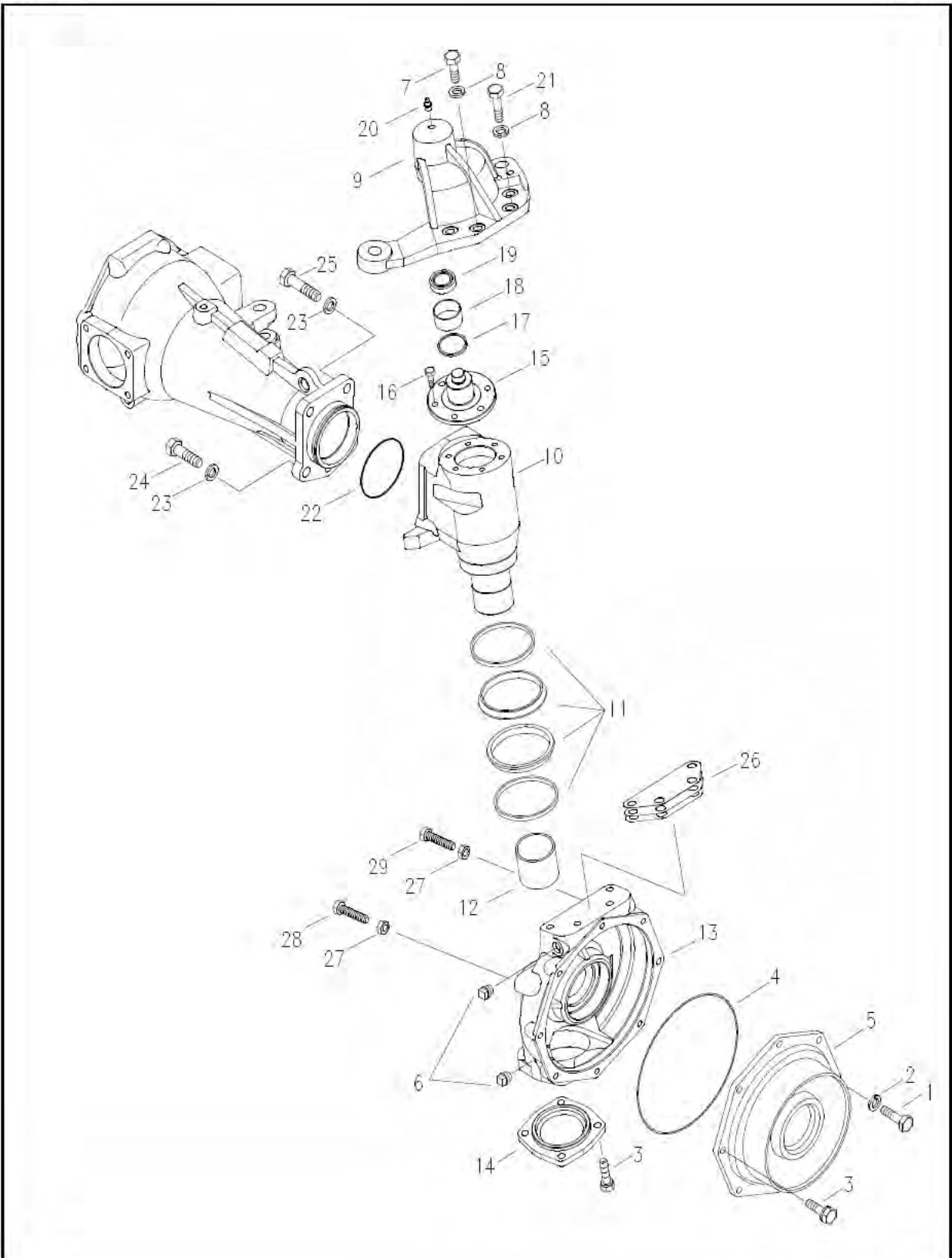
FIG. 5-3

NO.	PART NO.	PART NAME & DESCRIPTION		QTY			APP. NO	REM.
				A	B	C		
1	3A1970055	BOLT, REAMER	M10x1.25	1	1			
2	S361100013	WASHER, SPRING	Φ18.4x10.2x2.5t	1	1			
3	S154103033	BOLT, HEX. W/WASHER	M10x1.25x30	11	11			
4	A1402067	COVER, GEAR CASE		1	1			
5	3A1970056	O-RING	D231x3	1	1			
6	3A1970052	PLUG, TAPER	PT 3/8	2	2			
7	S101123043	BOLT, HEX	M12x1.75x30	2	2			
8	S361120013	WASHER, SPRING	Φ21.5xΦ12.2x3t	4	4			
9	A1400289	ARM(RH)		1	1			
10	A1400293	CASE, KINGPIN		1	1			
11	A1400168	GROUP SEAL		1	1			
12	A1400077	BUSHING, DU	MB6030DU	1	1			
13	A1400292	CASE, GEAR(RH)		1	1			
14	A1400288	COVER, W/BRG CASE		1	1			
15	A1400286	HOLDER, ARM		1	1			
16	S153082533	BOLT, HEX. W/WASHER	M8x1.25x25	6	6			
17	A0652582	SEAL, DUST	Φ40xΦ48x6.5t	1	1			
18	A0678120	BUSHING	MB4020DU	1	1			
19	A1400076	BEARING, T/ROLLER	#32004XJ	1	1			
20	3A1970069	NIPPLE, GREASE	PT 1/8	1	1			
21	3A1970057	BOLT, REAMER	M12X1.75X35	2	2			
22	S802090010	O-RING	D89.4x3.1	1	1			
23	S361140013	WASHER, SPRING	Φ24.5xΦ14.2x3.5t	5	5			
24	S101144043	BOLT, HEX	M14x2x40	4	4			
25	A1970307	BOLT, REAMER	M14x2x50	1	1			
26	A1402048	SHIM	0.15t	1	1			
	A1402049	SHIM	0.30t	1	1			
	A1402050	SHIM	0.40t	1	1			

FRONT AXLE CASE

FIG. 5-4

G. 400



FRONT AXLE CASE

A-C38, B-C45

A-C38, B-C45

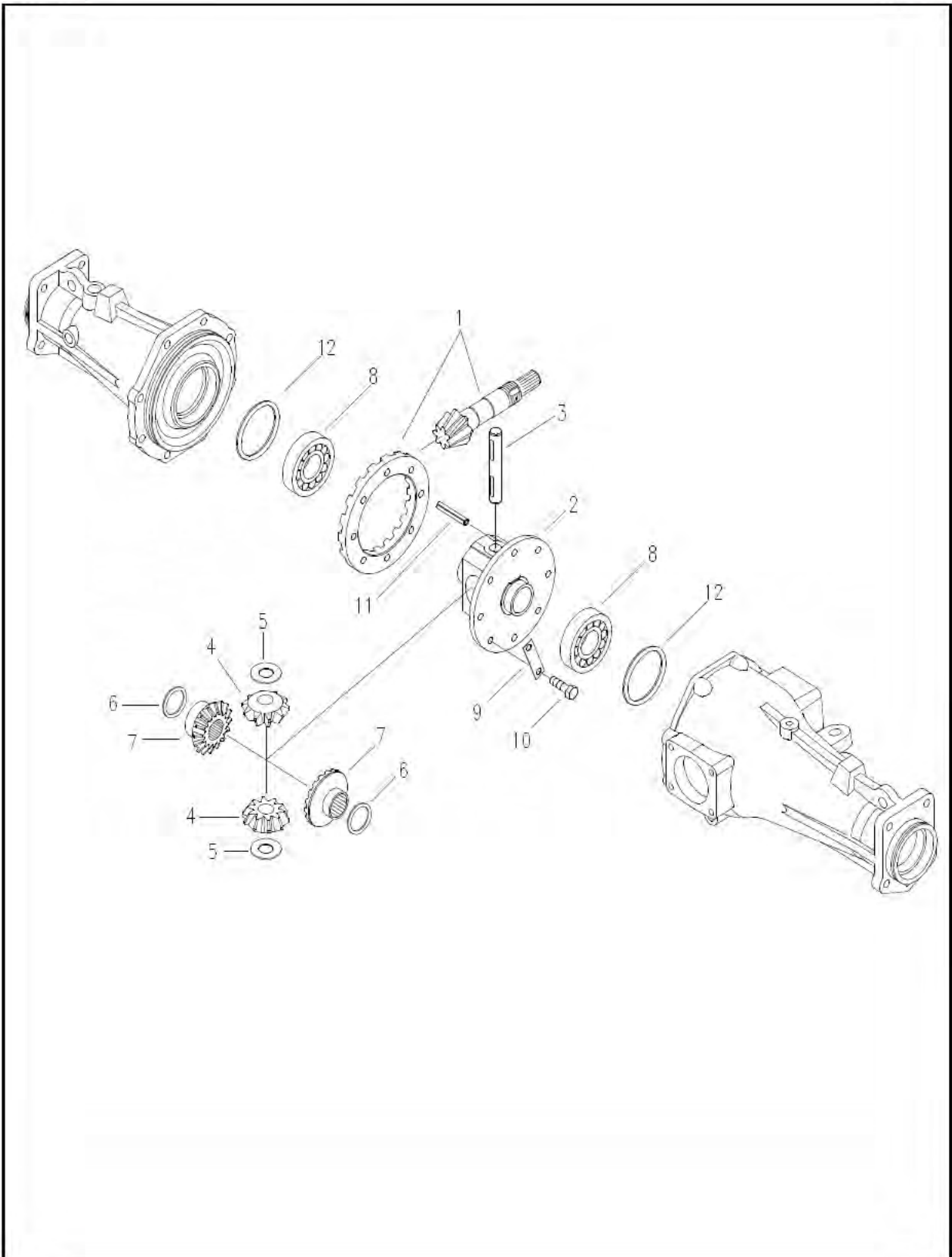
FIG. 5-4

NO.	PART NO.	PART NAME & DESCRIPTION		QTY			APP. NO	REM.
				A	B	C		
1	3A1970055	BOLT, REAMER	M10x1.25	1	1			
2	S361100013	WASHER, SPRING	Φ18.4×10.2×2.5t	1	1			
3	S154103033	BOLT, HEX. W/WASHER	M10x1.25x30	11	11			
4	A1402067	COVER, GEAR CASE		1	1			
5	3A1970056	O-RING	D231x3	1	1			
6	3A1970052	PLUG, TAPER	PT 3/8	2	2			
7	S101123043	BOLT, HEX	M12x1.75x30	2	2			
8	S361120013	WASHER, SPRING	Φ21.5×Φ12.2×3t	4	4			
9	A1400290	ARM(LH)		1	1			
10	A1400293	CASE, KINGPIN		1	1			
11	A1400168	GROUP SEAL		1	1			
12	A1400077	BUSHING, DU	MB6030DU	1	1			
13	A1400291	CASE, GEAR(LH)		1	1			
14	A1400288	COVER, W/BRG CASE		1	1			
15	A1400286	HOLDER, ARM		1	1			
16	S153082533	BOLT, HEX. W/WASHER	M8x1.25x25	6	6			
17	A0652582	SEAL, DUST	Φ40×Φ48×6.5t	1	1			
18	A0678120	BUSHING	MB4020DU	1	1			
19	A1400076	BEARING, T/ROLLER	#32004XJ	1	1			
20	3A1970069	NIPPLE, GREASE	PT 1/8	1	1			
21	3A1970057	BOLT, REAMER	M12X1.75X35	2	2			
22	S802090010	O-RING	D89.4×3.1	1	1			
23	S361140013	WASHER, SPRING	Φ24.5×Φ14.2×3.5t	5	5			
24	S101144043	BOLT, HEX	M14x2x40	4	4			
25	A1970307	BOLT, REAMER	M14x2x50	1	1			
26	A1402048	SHIM	0.15t	1	1			
	A1402049	SHIM	0.30t	1	1			
	A1402050	SHIM	0.40t	1	1			
27	S301120043	NUT, HEX. 1-TY	M12x1.75	2	2			
28	S101125543	BOLT, HEX.	M12x1.75x55	1	1			
29	S163123543	BOLT, HEX. F-THRD	M12×1.75×35	1	1			

FRONT AXLE DIFFERENTIAL

FIG. 5-5

G. 400



FRONT AXLE DIFFERENTIAL

A-C38, B-C45

A-C38, B-C45

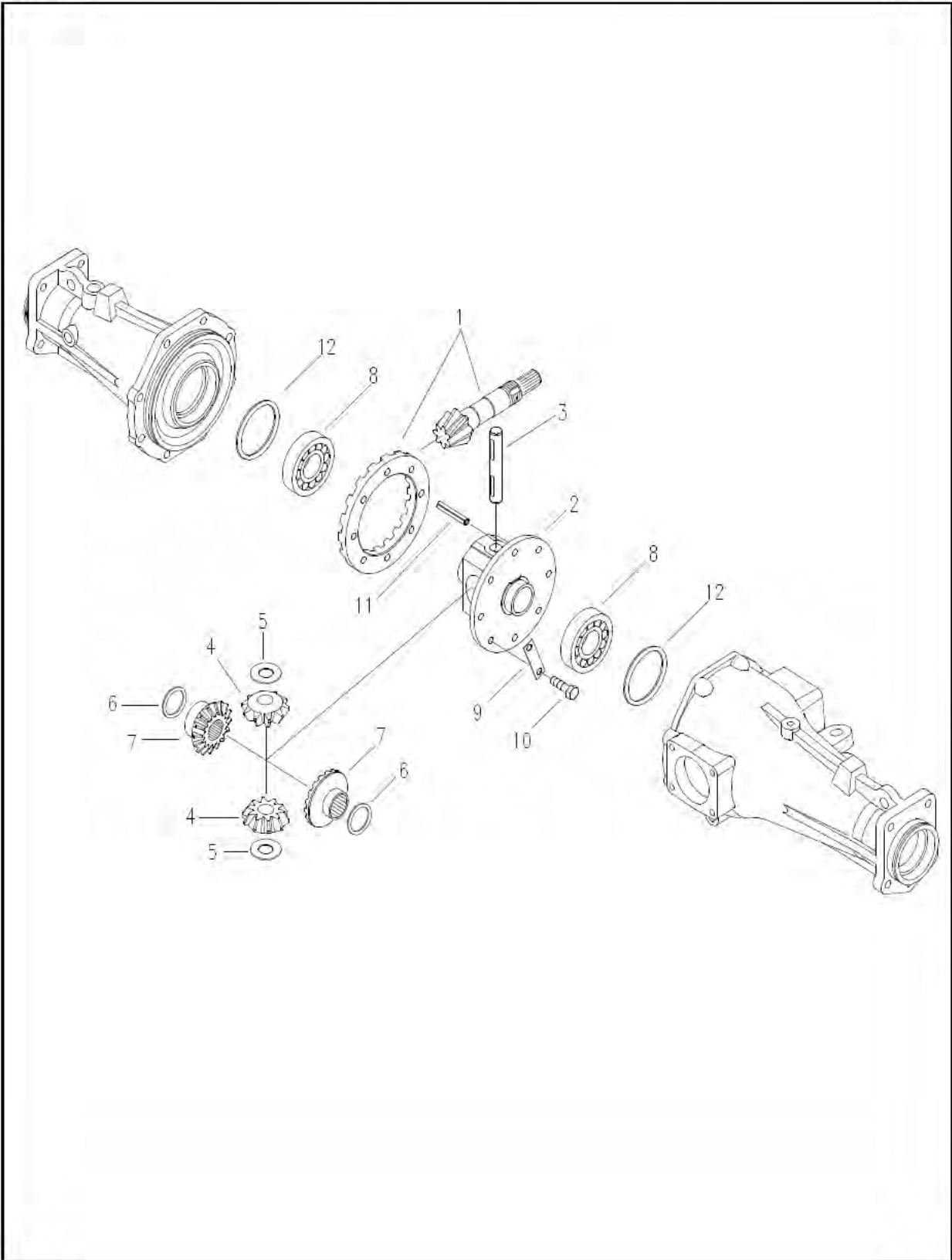
FIG. 5-5

NO.	PART NO.	PART NAME & DESCRIPTION		QTY			APP. NO	REM.
				A	B	C		
1~11	2A1415001	DIFF, GEAR ASSY		1	1			
1	A1400172	PINION & RING GEAR SET	6t/37t	1	1			
2	1A1414001	CASE, DIFF		1	1			
3	3A1415004	SHAFT		1	1			
4	A1324060	PINION, MATE	10t	2	2			
5	3A1970123	WASHER, THRUST	0.8t	2	2			
6	3A1970122	WASHER, THRUST	0.8t	2	2			
7	A1324062	GEAR, SIDE	16t	2	2			
8	A0862100	BEARING, BALL	#6210 (OD90×ID50×20)	2	2			
9	A1410041	PLATE, LOCK		4	4			
10	A1410039	BOLT, HEX.	M10×1.25×20	8	8			
11	S446065012	PIN, SPRING	Φ6×50	1	1			
12	3A1970119	LINER	0.07t	AR	AR			
	3A1970120	LINER	0.2t	AR	AR			
	3A1970121	LINER	1.0t	AR	AR			

FRONT AXLE DIFFERENTIAL

FIG. 5-3

G. 400



FRONT AXLE DIFFERENTIAL

A-C38, B-C45

A-C38, B-C45

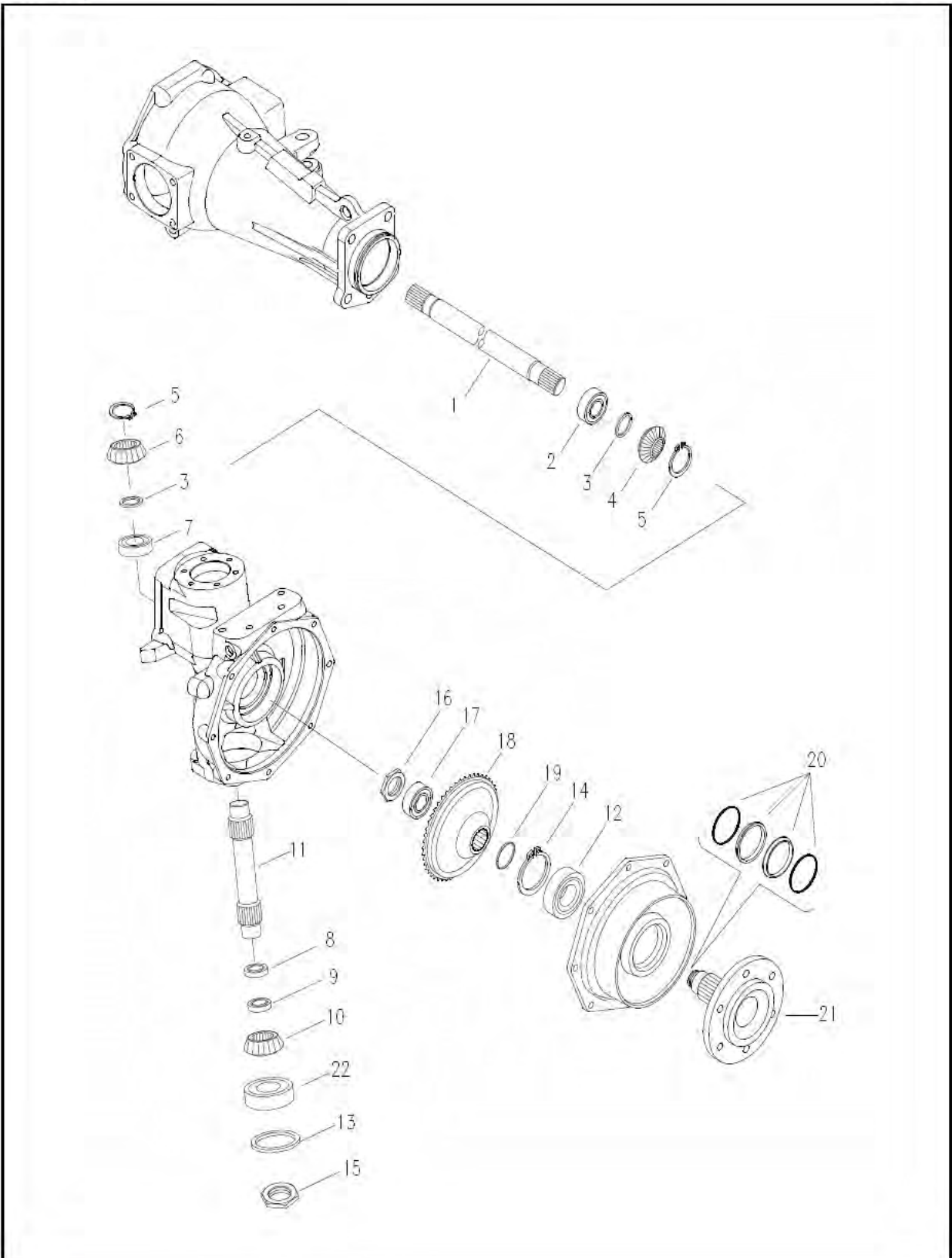
FIG. 5-3

NO.	PART NO.	PART NAME & DESCRIPTION		QTY			APP. NO	REM.
				A	B	C		
1~11	2A1415001	DIFF, GEAR ASSY		1	1			
1	A1400172	PINION & RING GEAR SET	6t/37t	1	1			
2	1A1414001	CASE, DIFF		1	1			
3	3A1415004	SHAFT		1	1			
4	A1324060	PINION, MATE	10t	2	2			
5	3A1970123	WASHER, THRUST	0.8t	2	2			
6	3A1970122	WASHER, THRUST	0.8t	2	2			
7	A1324062	GEAR, SIDE	16t	2	2			
8	A0862100	BEARING, BALL	#6210 (OD90×ID50×20)	2	2			
9	3A1411003	PLATE, LOCK		4	4			
10	A1410039	BOLT, HEX.	M10×1.25×20	8	8			
11	S446065012	PIN, SPRING	Φ6×50	1	1			
12	3A1970119	LINER	0.07t	AR	AR			
	3A1970120	LINER	0.2t	AR	AR			
	3A1970121	LINER	1.0t	AR	AR			

FRONT AXLE DRIVE (400)

FIG. 5-6

G. 400



FRONT AXLE DRIVE (400)

A-C38, B-C45

A-C38, B-C45

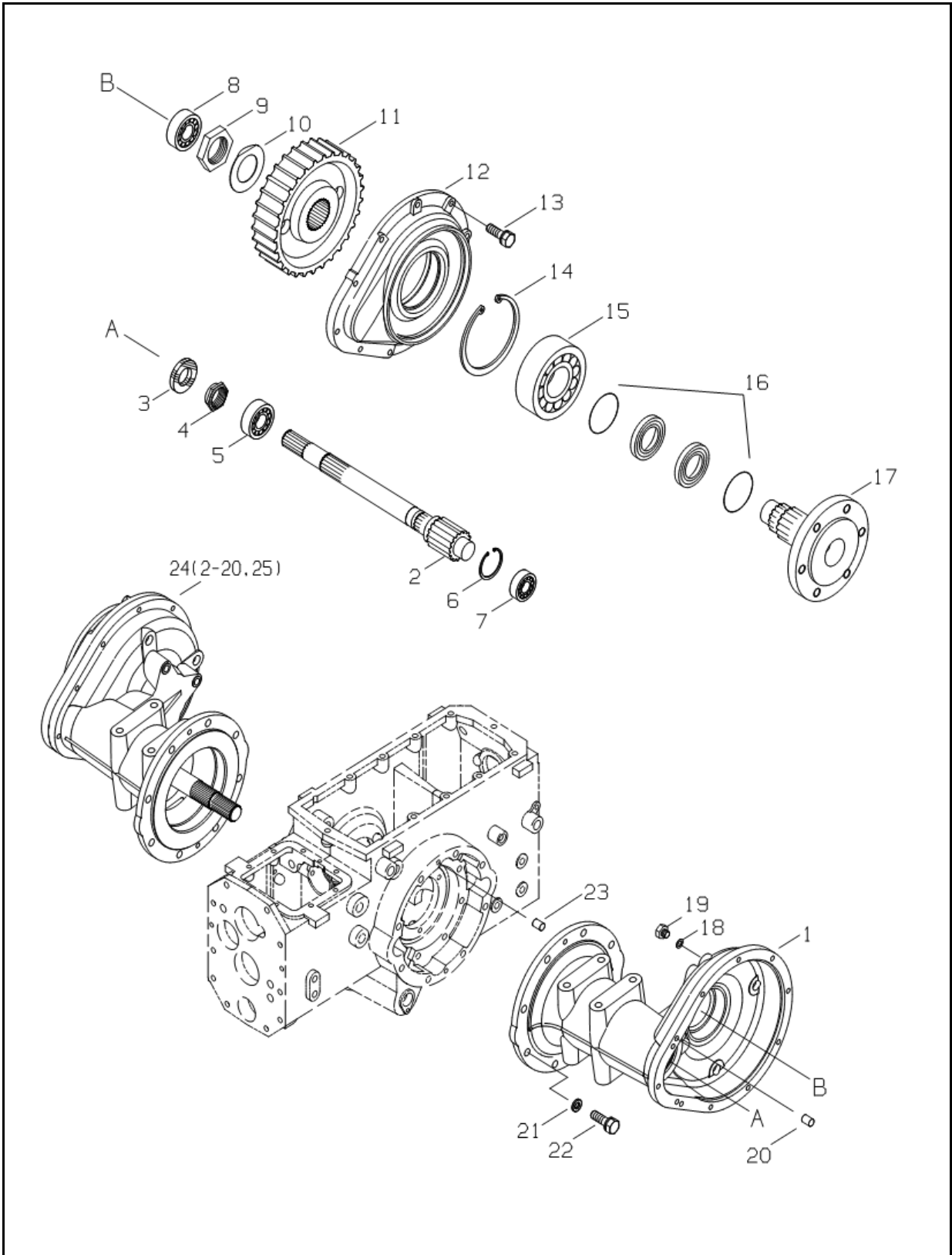
FIG. 5-6

NO.	PART NO.	PART NAME & DESCRIPTION		QTY			APP. NO	REM.
				A	B	C		
1	A1400120	SHAFT, F/DIFF		2	2			
2	A0863070	BEARING, BALL	#6307 (OD80xID35x21)	2	2			
3	A0870108	LINER	0.15t	AR	AR			
	A0870109	LINER	0.4t	AR	AR			
	A0870110	LINER	0.5t	AR	AR			
4	A1400121	GEAR	14t	2	2			
5	S810030001	RING, SNAP		4	4			
6	A1400153	GEAR	15t	2	2			
7	A1400093	BEARING, TAPER	#32206C (OD62xID30x21.25)	2	2			
8	3A1970034	BEARING, THRUST	NSK51107 (OD52xID35x12)	2	2			
9	A1400127	SPACER		2	2			
10	A1400124	GEAR	14t	2	2			
11	A1400123	SHAFT, KINGPIN		2	2			
12	A0862100	BEARING, BALL	#6210 (OD90xID50x20)	2	2			
13	3A1970119	LINER	0.07t	AR	AR			
	3A1970120	LINER	0.2t	AR	AR			
14	S811090001	RING, SNAP	#30210	2	2			
15	A1281034	NUT, LOCK	M25x1.5	2	2			
16	A1402047	NUT, LOCK	M30x1.5	2	2			
17	A0863080	BEARING, BALL	#6308 (OD90xID40x23)	2	2			
18	A1402044	GEAR	38t	2	2			
19	3A1970112	LINER	0.4t	AR	AR			
	3A1970113	LINER	0.6t	AR	AR			
	3A1970114	LINER	0.8t	AR	AR			
	3A1970115	LINER	1.0t	AR	AR			
20	A1400168	GROUP SEAL		2	2			
21	A1402068	SHAFT, AXLE		2	2			
22	A26799980	BEARING, T/ROLLER	#30210	2	2			

REAR AXLE

FIG. 5-7

G. 400



REAR AXLE

A-C38, B-C45

A-C38, B-C45

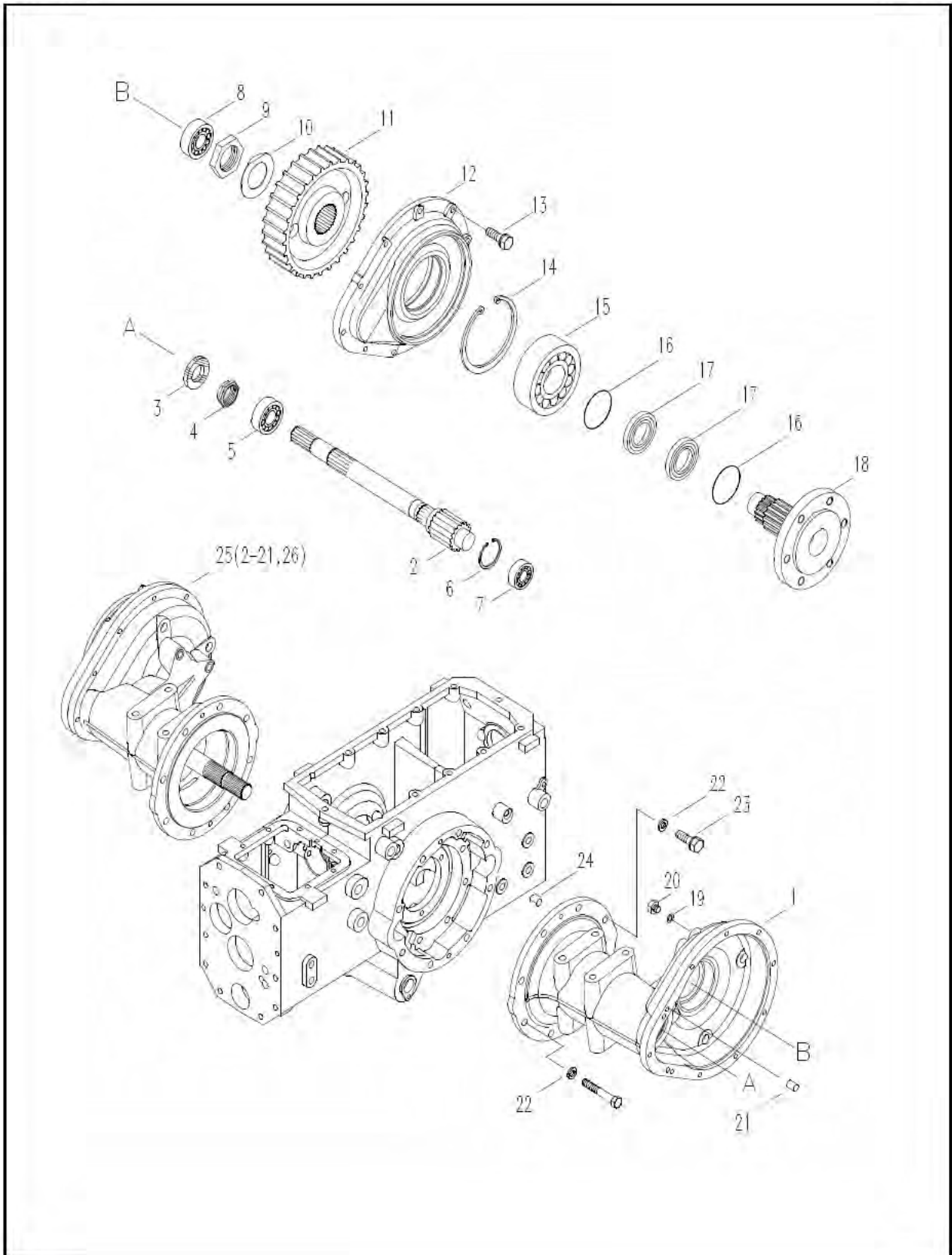
FIG. 5-7

NO.	PART NO.	PART NAME & DESCRIPTION	QTY			APP. NO	REM.
			A	B	C		
1-21	A1480068	F/DRIVE ASSY(LH)	1	1			
1	A1480070	CASE, FINAL DRIVE(LH)	1	1			
2	A1481037	PINION, FINAL DRIVE	1	1			
3	A1480102	SEAL, OIL	1	1			
4	A1481040	NUT, LOCK	1	1			
		TB38x55x8					
		M40x1.0					
5	A0863080	BEARING, BALL	1	1			
		#6308(OD90xID40x23)					
6	S811090001	RING, SNAP	1	1			
		D95.5x3t					
7	A0863070	BEARING, BALL	1	1			
		#6307(OD80xID35x21)					
8	A0863090	BEARING, BALL	1	1			
		#6309(OD100xID45x29)					
9	A1481041	NUT, LOCK	1	1			
		M55x1.5					
10	A1481042	PLATE, LOCK	1	1			
		OD96xID56x1.5t					
11	A1481038	GEAR, F/DRIVE 71T	1	1			
		71T					
12	A1480067	COVER, F/DRIVE	1	1			
13	S154104033	BOLT, HEX.	10	10			
		M10x1.25					
14	S811140001	RING, SNAP	1	1			
		D14.7x4t					
15	A0863130	BEARING, BALL	1	1			
		#6313(OD140xID65x33)					
16	A1480100	GROUP SEAL ASSY	1	1			
17	A1481039	SHAFT, REAR AXLE	1	1			
		OD20xID26x1.5t					
18	A10263360	SEAL, OIL	3	3			
19	A0610281	PLUG, DRAIN	3	3			
		M20x1.5					
20	S421102010	PIN, DOWEL	2	2			
		D15x20					
21	S361140013	WASHER, SPRING	16	16			
		OD24.5xID14.2x3.5t					
22	S101144043	BOLT, HEX	16	16			
		M14x2.0					
23	S423102010	PIN, DOWEL	4	4			
		D10x20					
24	A1480069	F/DRV ASSY(RH)	1	1			
25	A1480071	CASE, FINAL DRV(RH)	1	1			

REAR AXLE

FIG. 5-5

G. 400



REAR AXLE

A-C38, B-C45

A-C38, B-C45

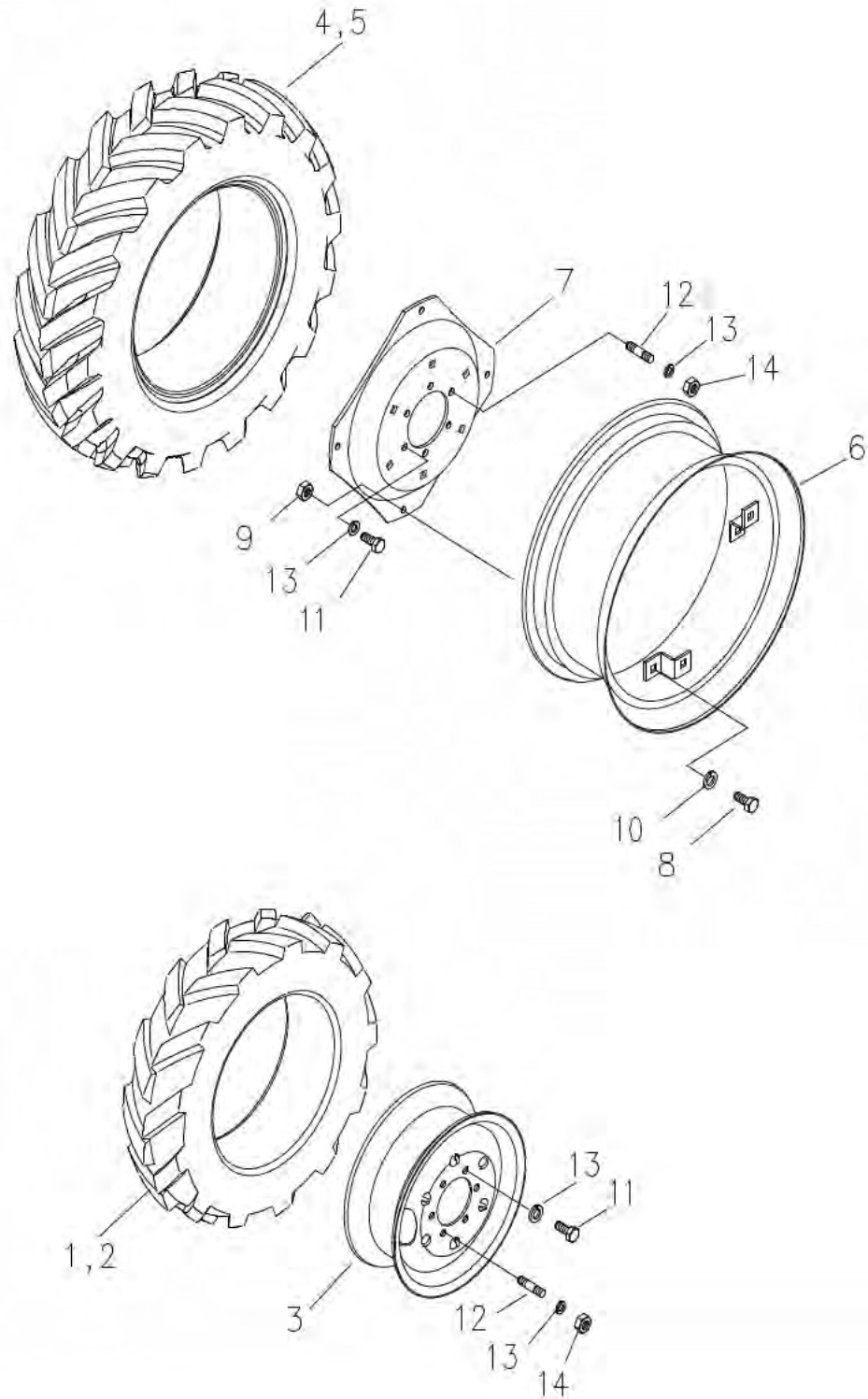
FIG. 5-5

NO.	PART NO.	PART NAME & DESCRIPTION	QTY			APP. NO	REM.
			A	B	C		
1-21	A1480068	F/DRIVE ASSY(LH)	1	1			
1	A1480070	CASE, FINAL DRIVE(LH)	1	1			
2	A1481037	PINION, FINAL DRIVE	2	2			
3	A1480050	SEAL, OIL	2	2			
4	A1481040	NUT, LOCK	2	2			
		TB38x55x8					
		M40x1.0					
5	A0863080	BEARING, BALL	2	2			
6	S811090001	RING, SNAP	2	2			
7	A0863070	BEARING, BALL	2	2			
8	A0863090	BEARING, BALL	2	2			
9	A1481041	NUT, LOCK	2	2			
		#6308(OD90xID40x23)					
		D95.5x3t					
		#6307(OD80xID35x21)					
		#6309(OD100xID45x29)					
		M55x1.5					
10	A1481042	PLATE, LOCK	2	2			
11	A1481038	GEAR, F/DRIVE 71T	2	2			
12	A1480067	COVER, F/DRIVE	2	2			
13	S154104033	BOLT, HEX	20	20			
14	S811140001	RING, SNAP	2	2			
		OD96xID56x1.5t					
		71T					
		M10x1.25					
		D14.7x4t					
15	A0863130	BEARING, BALL	2	2			
16	A1480058	O-RING	4	4			
17	A1480057	RETAINER	4	4			
18	A1481039	SHAFT, REAR AXLE	2	2			
19	A10263360	SEAL, OIL	6	6			
		#6313(OD140xID65x33)					
		D117xW7					
		OD20xID26x1.5t					
20	A0610281	PLUG, DRAIN	6	6			
21	S421102010	PIN, DOWEL	4	4			
22	S361140013	WASHER, SPRING	16	16			
23	S101144043	BOLT, HEX	10	10			
24	S423102010	PIN, DOWEL	4	4			
		M20x1.5					
		D15x20					
		OD24.5xID14.2x3.5t					
		M14x2.0					
		D10x20					
25	A1480069	F/DRV ASSY(RH)	1	1			
26	A1480071	CASE, FINAL DRV(RH)	1	1			

FRONT & REAR WHEEL (TIRE)

FIG. 5-8B

G. 490



FRONT & REAR WHEEL (TIRE)

A-C38, B-C45

A-C38, B-C45

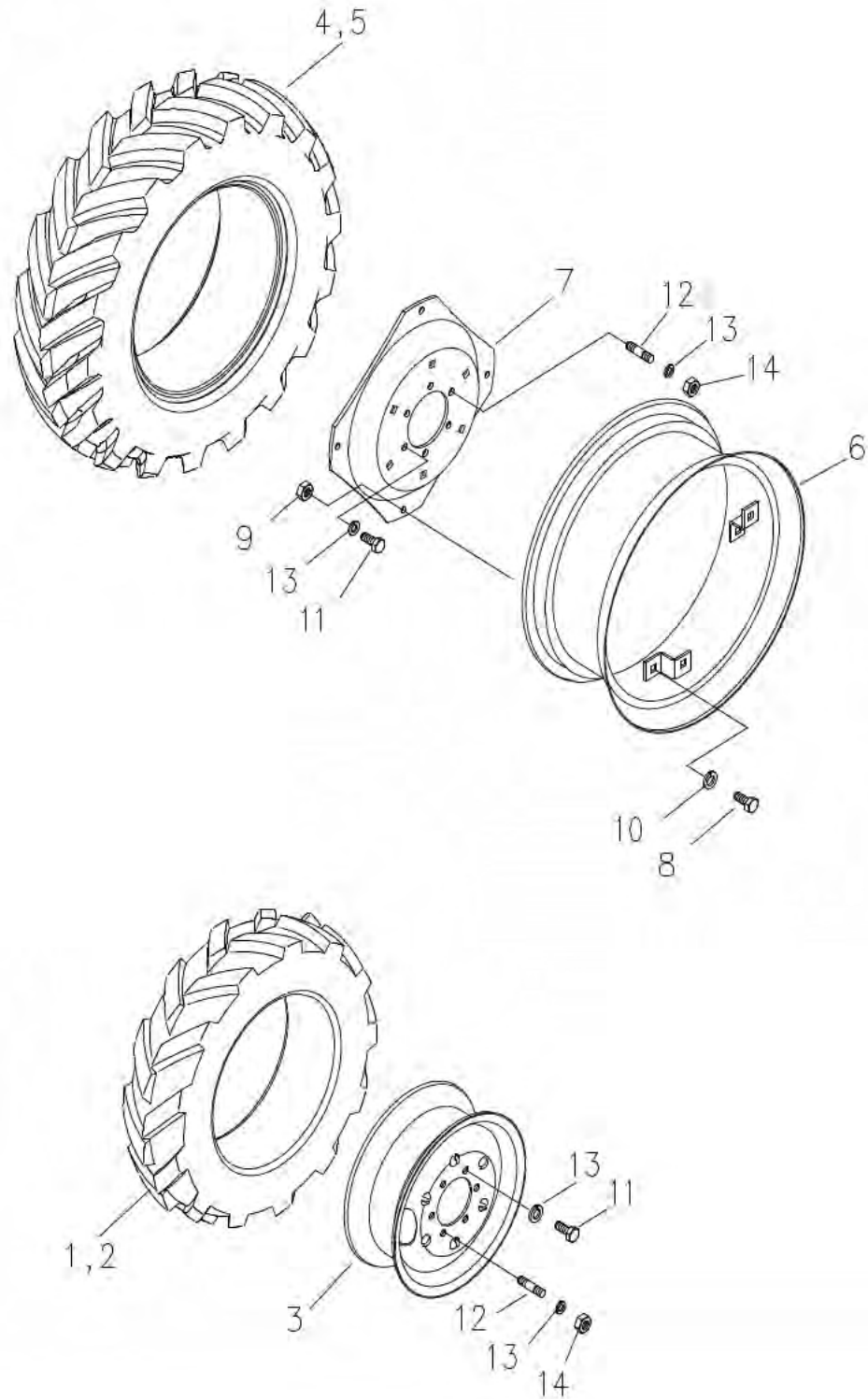
FIG. 5-8B EXPORT

NO.	PART NO.	PART NAME & DESCRIPTION		QTY			APP. NO	REM.
				A	B	C		
1-2	A1490026	FRONT TIRE ASSY	8-16(4PR)	2	2			
1	A01494003	TUBE FRONT		1	1			
2	A01494002	TIRE TRONT		1	1			
3	A1490207	FRONT RIM ASSY		2	2			
4-5	A1490027	REAR TIRE ASSY	12.4-24 (6PR)	2	2			
4	A00010525	TUBE REAR		1	1			
5	A00010524	TIRE REAR		1	1			
6-10	A1490022	REAR RIM ASSY		2	2			
6	A1490023	RIM REAR		1	1			
7	A1490024	DISK REAR		1	1			
8	A1970077	BOLT, HEX		4	4			
9	S306160013	NUT, HEX		4	4			
10	S361160013	WASHER, SPR.		4	4			
11	S103163043	BOLT, HEX	M16x1.5x30L	16	16			
12	S167162523	BOLT, STUD	M16x1.5x25L	8	8			
13	S361160013	WASHER, SPR.	D28/16.2x4T	24	24			
14	S302160043	NUT, HEX	M16x1.5	8	8			

FRONT & REAR WHEEL (TIRE)

FIG. 5-6

G. 490



FRONT & REAR WHEEL (TIRE)

A-C38, B-C45

A-C38, B-C45

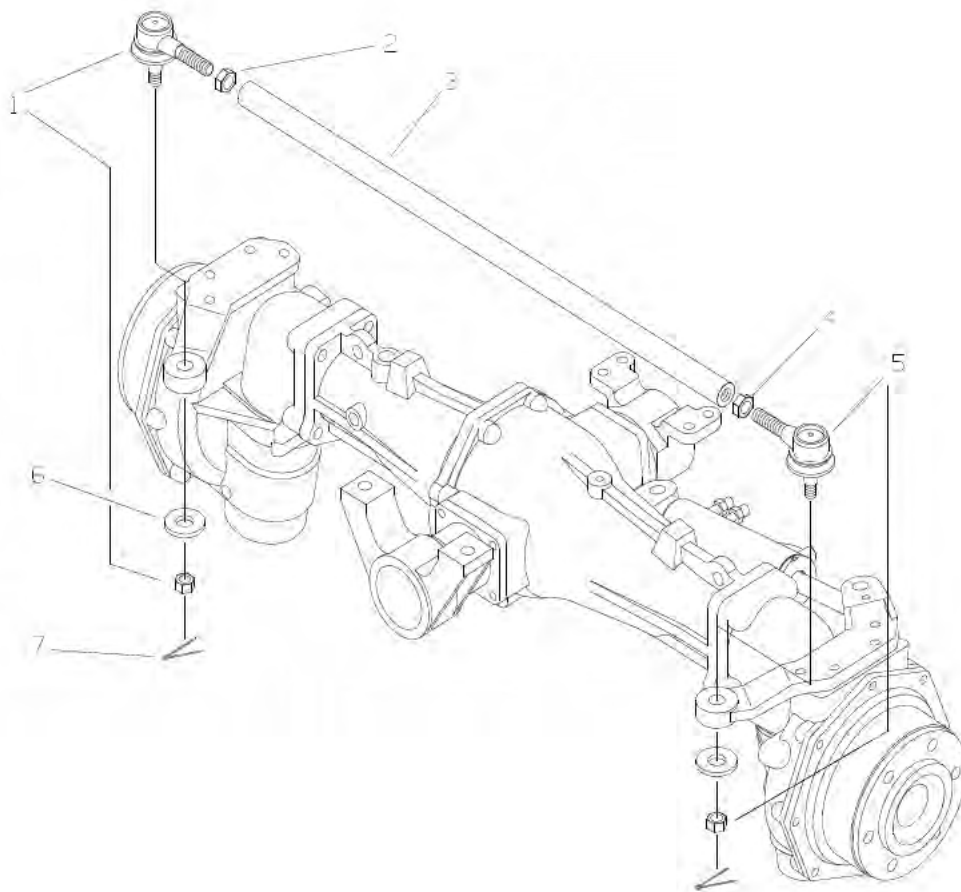
FIG. 5-6

NO.	PART NO.	PART NAME & DESCRIPTION		QTY			APP. NO	REM.
				A	B	C		
1-2	A1490026	FRONT TIRE ASSY	8-16(4PR)	2	2			
1	A01494003	TUBE FRONT		1	1			
2	A01494002	TIRE TRONT		1	1			
3	A1490019	FRONT RIM ASSY		2	2			
4-5	A1490068	REAR TIRE ASSY	12.4-24 (6PR)	2	2			
4	A00010525	TUBE REAR		1	1			
5	A1494065	TIRE REAR		1	1			
6-10	A1490022	REAR RIM ASSY		2	2			
6	A1490023	RIM REAR		1	1			
7	A1490024	DISK REAR		1	1			
8	A1970077	BOLT, HEX		4	4			
9	S306160013	NUT, HEX		4	4			
10	S361160013	WASHER, SPR.		4	4			
11	S103163043	BOLT, HEX	M16x1.5x30L	16	16			
12	S167162523	BOLT, STUD	M16x1.5x25L	8	8			
13	S361160013	WASHER, SPR.	D28/16.2x4T	24	24			
14	S302160043	NUT, HEX	M16x1.5	8	8			

TIE ROD

FIG. 6-1

G. 610



TIE ROD

A-C38, B-C45

A-C38, B-C45

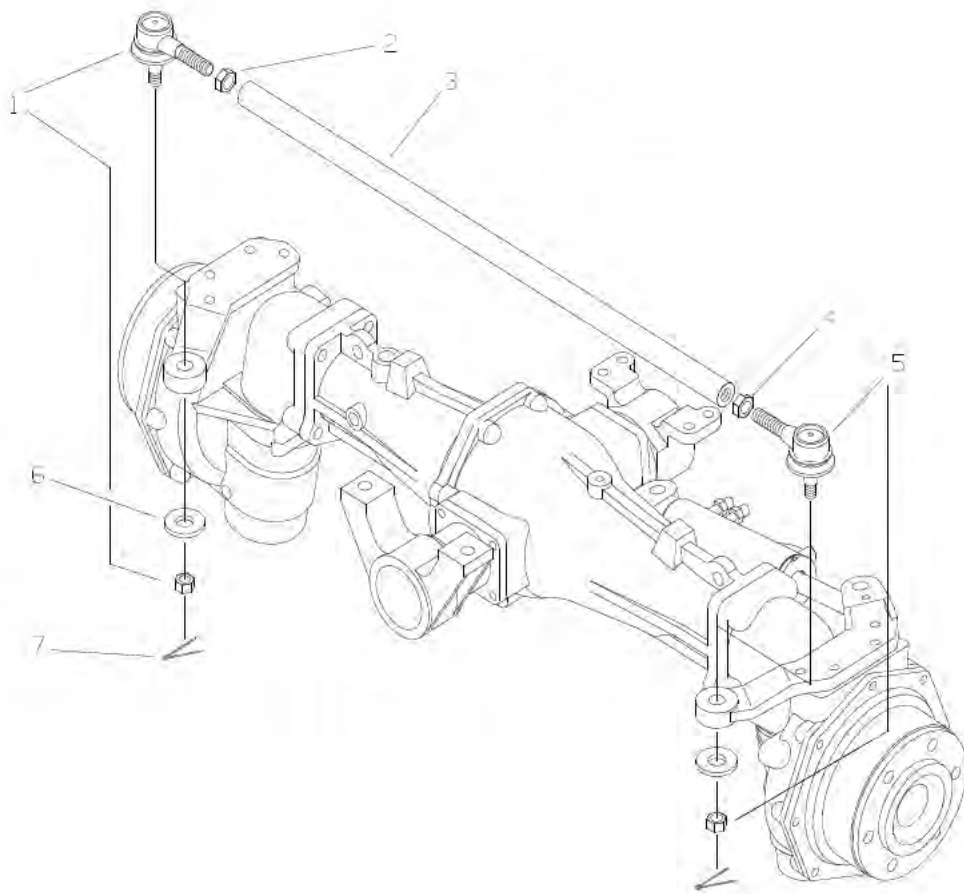
FIG. 6-1

NO.	PART NO.	PART NAME & DESCRIPTION		QTY			APP. NO	REM.
				A	B	C		
1~5	A1610031	TIE ROD ASSY	930L	1	1			
1	A1610036	END ASSY(RH)		1	1			
2	S306180043	NUT, HEX.(RH)	M18×1.5	1	1			
3	A1610034	PIPE, TIE ROD	784L	1	1			
4	A1610023	NUT, HEX.(LH)	M18×1.5	1	1			
5	A1610035	END ASSY(LH)		1	1			
6	S365164013	WASHER, PLAIN	3t	2	2			
7	S441403613	PIN, SPLIT	Φ4×36	2	2			

TIE ROD

FIG. 6-1

G. 610



TIE ROD

A-C38, B-C45

A-C38, B-C45

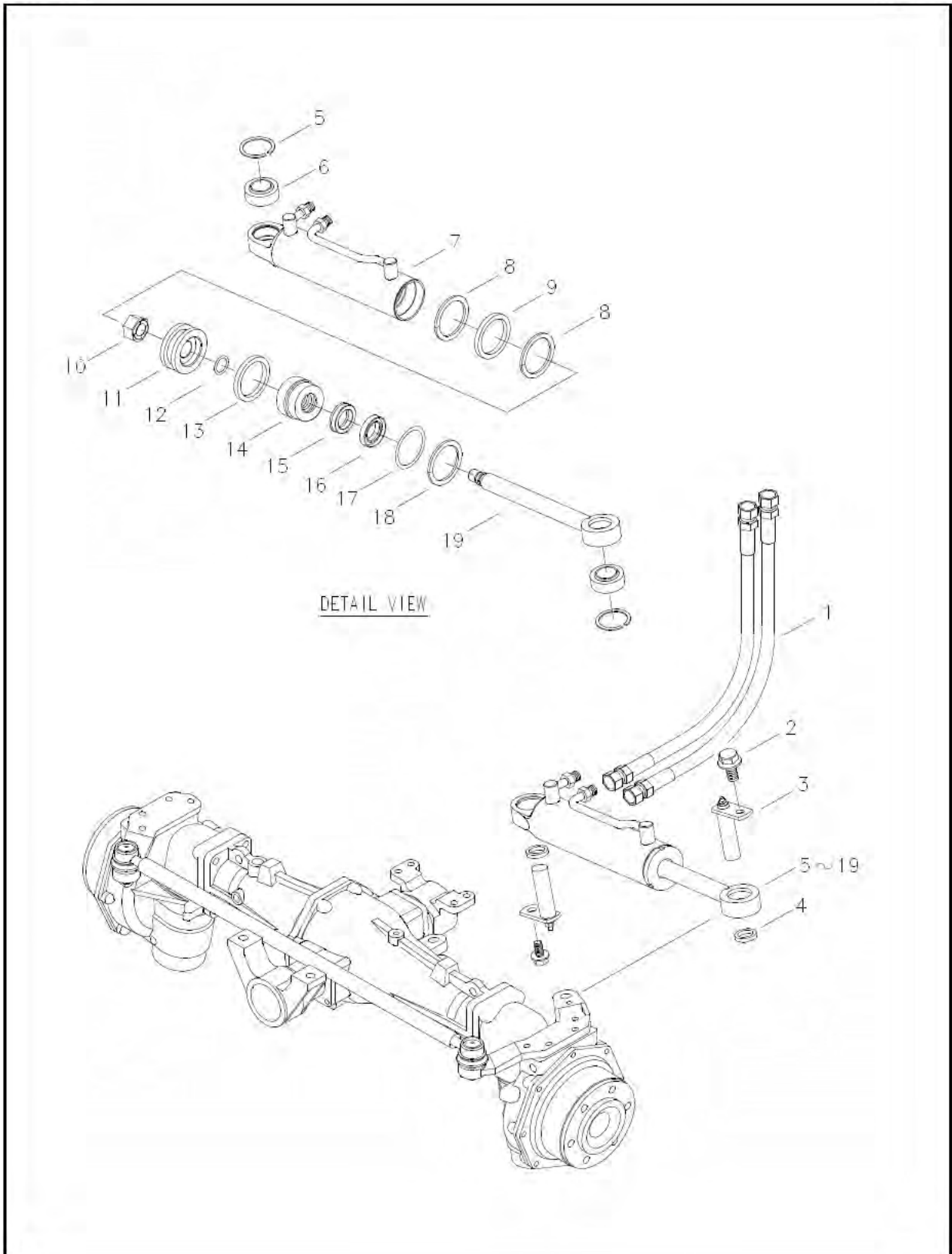
FIG. 6-1

NO.	PART NO.	PART NAME & DESCRIPTION		QTY			APP. NO	REM.
				A	B	C		
1~5	A1610031	TIE ROD ASSY	930L	1	1			
1	A1610036	END ASSY (R)		1	1			
2	S306180043	NUT, HEX (R)	M18×1.5	1	1			
3	A1610034	PIPE, TIEROD	784L	1	1			
4	A1610016	NUT, HEX (L)	M18×1.5	1	1			
5	A1610035	END ASSY (L)		1	1			
6	A1402060	WASHER, PLAIN	3t	2	2			
7	S441403613	PIN, SPLIT	Φ4×36	2	2			

STEERING CYLINDER & LINE

FIG. 6-2

G. 630



STEERING CYLINDER & LINE

A-C38, B-C45

A-C38, B-C45

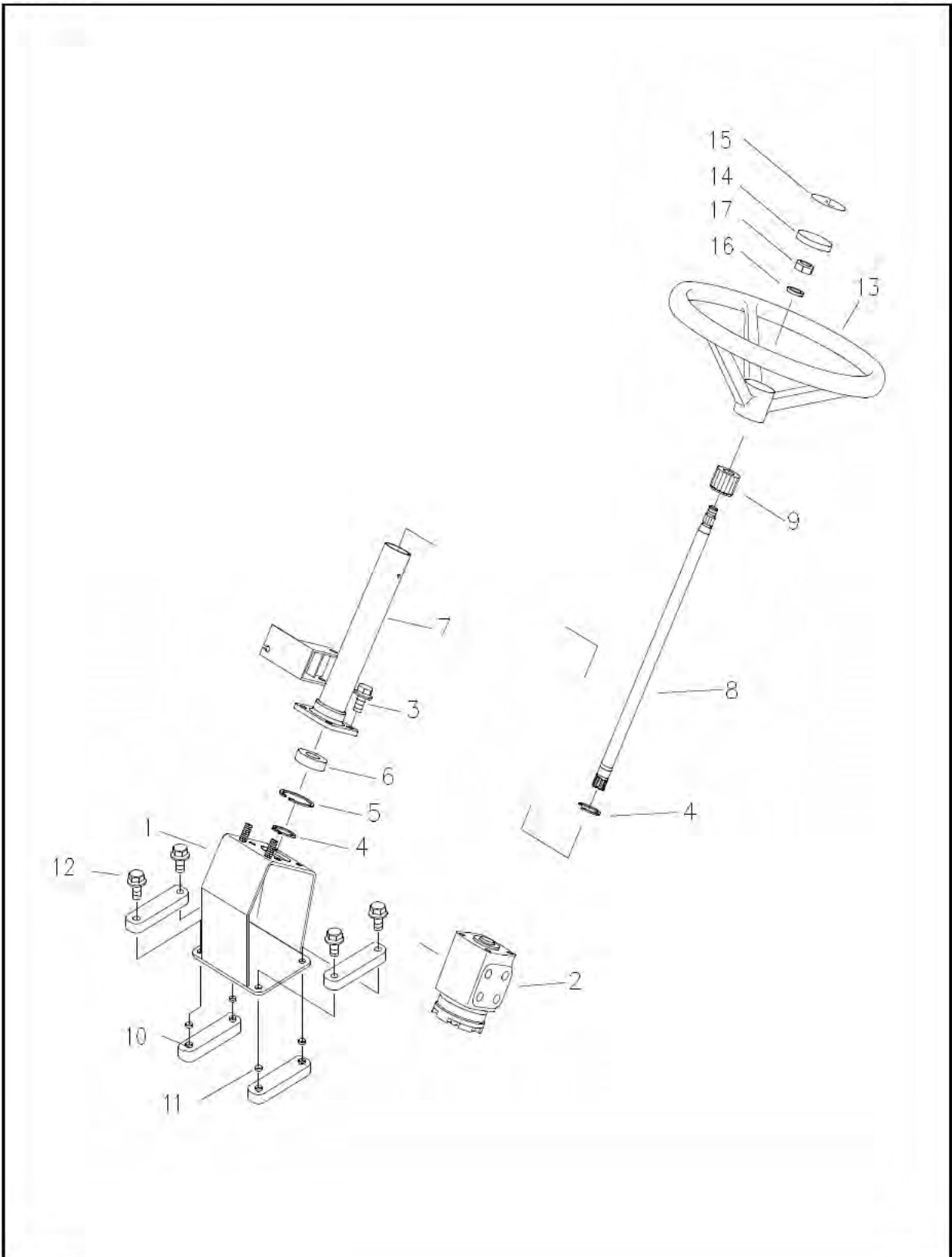
FIG. 6-2

NO.	PART NO.	PART NAME & DESCRIPTION		QTY			APP. NO	REM.
				A	B	C		
1	A1630312	HOSE, STR CYLINDER	730L	2	2			
2	S154102033	BOLT, HEX	M10×1.25×20	2	2			
3	A1630327	PIN, CYLINDER		2	2			
4	A1630135	SPACER	D20×5t	2	2			
5~19	A1630293	CYLINDER ASSY	293-446	1	1			
5	S813035001	RING, SNAP	D35	2	2			
6	A1630159	BUSHING, BALL		2	2			
7	A1630319	CYLINDER ASSY		1	1			
8	A1630161	RING, BACKUP	D50	2	2			
9	A1630162	O-RING	D43.7×3.5	1	1			
10	A1630160	NUT, LOCK	M16×2	1	1			
11	A1630321	PISTON	D50	1	1			
12	S801014010	O-RING	D13.8×2.4	1	1			
13	S801046010	O-RING	D45.7×3.5	1	1			
14	A1630322	SLEEVE		1	1			
15	A1630163	U-PACKING	D22.4	1	1			
16	A1630164	SEAL, DUST	D22.4	1	1			
17	A1630323	RING, WIRE	D2	1	1			
18	A1630324	RING, STOP		1	1			
19	A1630320	ROD, PISTON	D22.4	1	1			

STEERING WHEEL & COLUMN

FIG. 6-3

G. 630



STEERING WHEEL & COLUMN

A-C38, B-C45

A-C38, B-C45

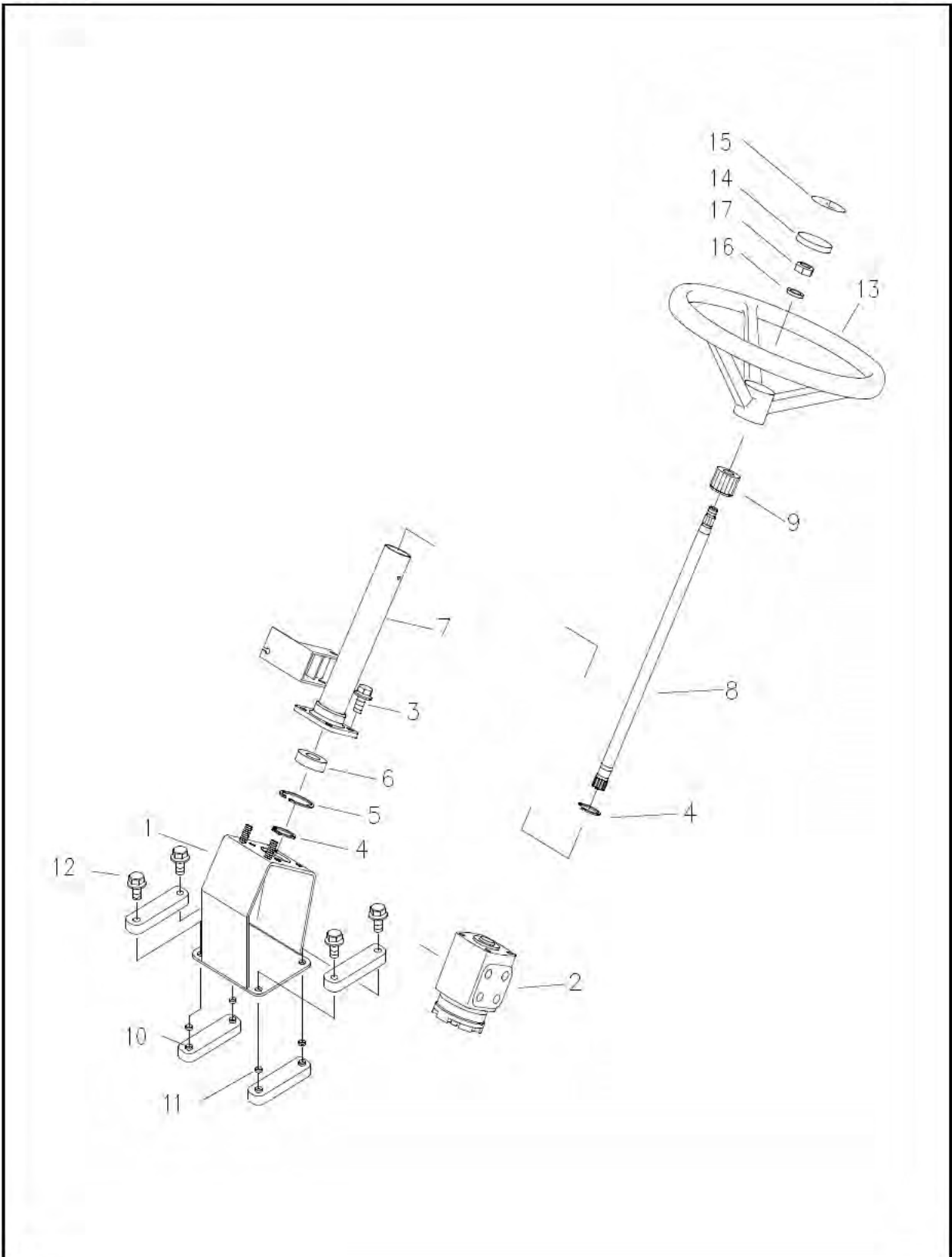
FIG. 6-3

NO.	PART NO.	PART NAME & DESCRIPTION		QTY			APP. NO	REM.
				A	B	C		
1	A1630283	SUPPORT, STEERING		1	1			
2	A1630222	STEERING UNIT	80cc/rev	1	1			
3	S154102533	BOLT, HEX	M10×1.25×25	4	4			
4~9	A1630230	STEERING COLUMN ASSY		1	1			
4	S810020001	RING, SNAP	Φ20	2	2			
5	S811042001	RING, SNAP(C)H	Φ42	1	1			
6	A1970233	BEARING	6004DD (OD42×ID20×12)	1	1			
7	A1630231	COLUMN, STEERING		1	1			
8	A1630232	SHAFT, STEERING	Φ20	1	1			
9	A1630153	SEAL, STEERING		1	1			
10	A1630281	RUBBER, DAMPING	8t	4	4			
11	A1630282	COLLAR, STEERING		4	4			
12	S156103033	BOLT, HEX. W/WASHER	M10×1.25×30	4	4			
13~15	A5002130	STR. WHEEL ASSY		1	1			
13	A5001458	WHEEL, STEERING		1	1			
14	A5000583	CAP, WHEEL		1	1			
15	A1981077	DECAL, LG MARK		1	1			
16	S361140013	WASHER, SPR	Φ14.2×3.5	1	1			
17	S314140013	NUT, HEX	M14×1.5	1	1			

STEERING WHEEL & COLUMN

FIG. 6-3

G. 630



STEERING WHEEL & COLUMN

A-C38, B-C45

A-C38, B-C45

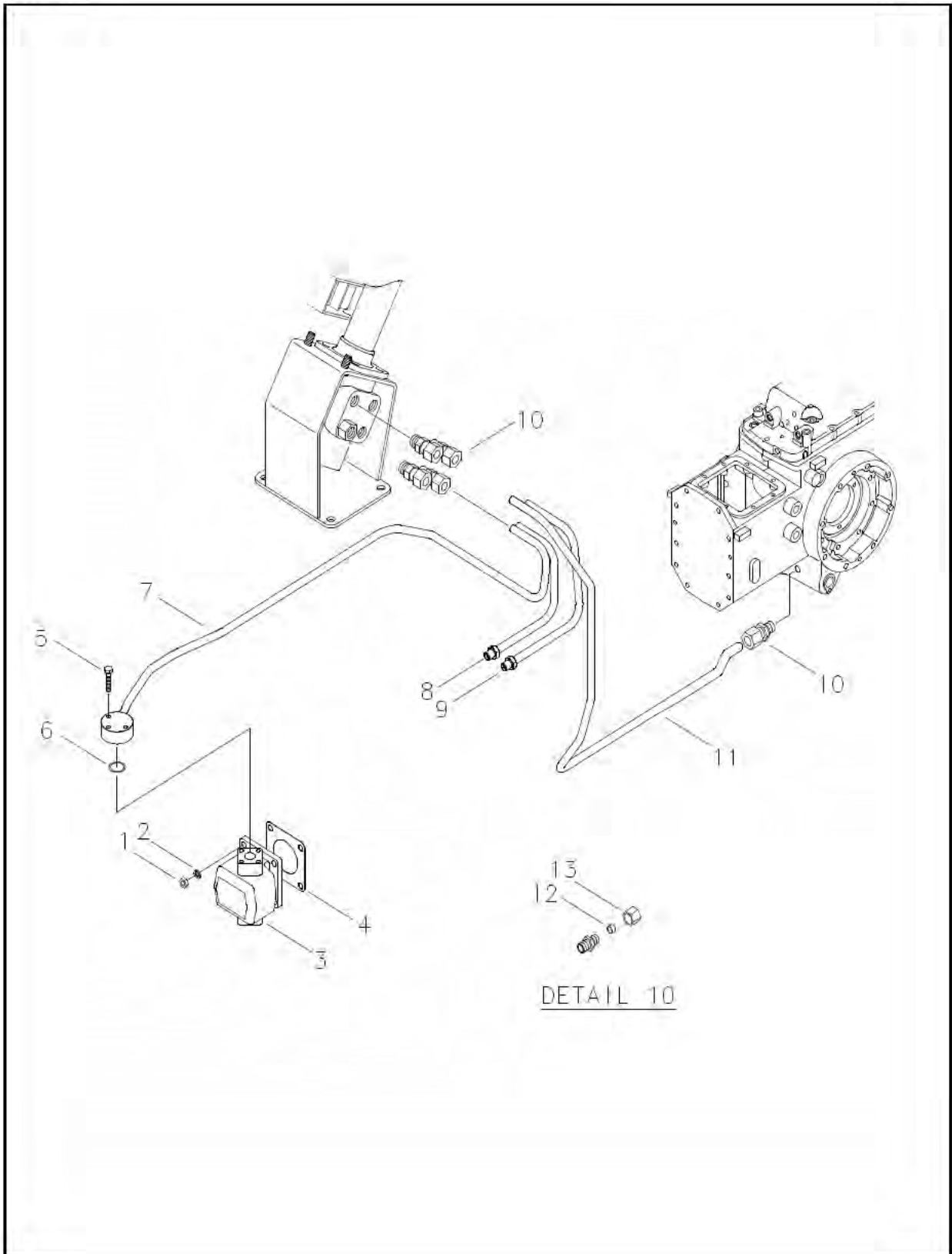
FIG. 6-3

NO.	PART NO.	PART NAME & DESCRIPTION		QTY			APP. NO	REM.
				A	B	C		
1	A1630283	SUPPORT, STEERING		1	1			
2	A1630222	STEERING UNIT	80cc/rev	1	1			
3	S154102533	BOLT, HEX	M10×1.25×25	4	4			
4~9	A1630230	STEERING COLUMN ASSY		1	1			
4	S810020001	RING, SNAP	Φ20	2	2			
5	S811042001	RING, SNAP(C)H	Φ42	1	1			
6	A1970233	BEARING	6004DD (OD42×ID20×12)	1	1			
7	A1630231	COLUMN , STEERING		1	1			
8	A1630232	SHAFT , STEERING	Φ20	1	1			
9	A1630153	SEAL , STEERING		1	1			
10	A1630281	RUBBER, DAMPING	8t	4	4			
11	A1630282	COLLAR, STEERING		4	4			
12	S156103033	BOLT, HEX . W/WASHER	M10×1.25×30	4	4			
13~15	A5002130	STR. WHEEL ASSY		1	1			
13	A5001458	WHEEL, STEERING		1	1			
14	A5000583	CAP, WHEEL		1	1			
15	A1980437	DECAL, LG MARK		1	1			
16	S361140013	WASHER, SPR	Φ14.2×3.5	1	1			
17	S314140013	NUT, HEX	M14×1.5	1	1			

STEERING LINE

FIG. 6-4

G. 630



STEERING LINE

A-C38, B-C45

A-C38, B-C45

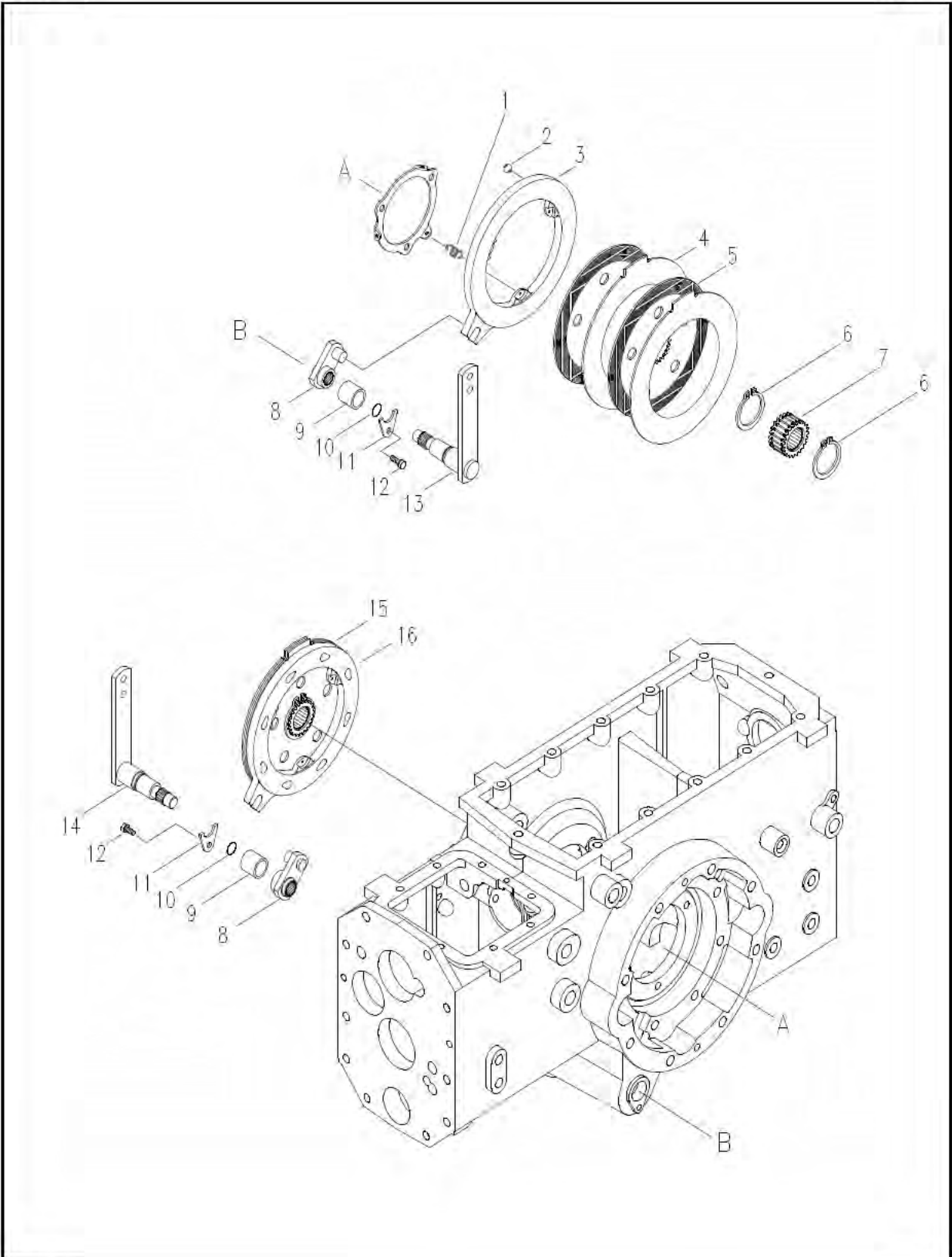
FIG. 6-4

NO.	PART NO.	PART NAME & DESCRIPTION		QTY			APP. NO	REM.
				A	B	C		
1	S313080013	NUT, HEX	M8×1.25	4	4			
2	S361080013	WASHER, SPRING	Φ15.4×Φ8.2×2t	4	4			
3	A1630467	PUMP, STEERING	7.91cc/rev	1	1			
4	3A1823010	PACKING, PUMP	0.6t	1	1			
5	S153063033	BOLT, HEX	M6×1.0×30	3	3			
6	S801018010	O-RING	D17.8×2.4	1	1			
7,10	A1CMS809	P/S PRESSURE PIPE SUB		1	1			
7	A1630443	PIPE, P/S PRESSURE		1	1			
8,10	A1CMS811	P/S PIPE RH SUB		1	1			
8	A1630445	PIPE, P/S(RH)		1	1			
9,10	A1CMS810	P/S PIPE LH SUB		1	1			
9	A1630444	PIPE, P/S(LH)		1	1			
10	A1630144	JOINT	BOM12-03G	5	5			
10,11	A1630496	P/S DRAIN ASSY		1	1			
11	A1630497	PIPE, P/S DRAIN		1	1			
12	A1630169	SLEEVE	Φ12	5	5			
13	A1630170	NUT, HEX		5	5			

BRAKE

FIG. 7-1

G. 650



BRAKE

A-C38, B-C45

A-C38, B-C45

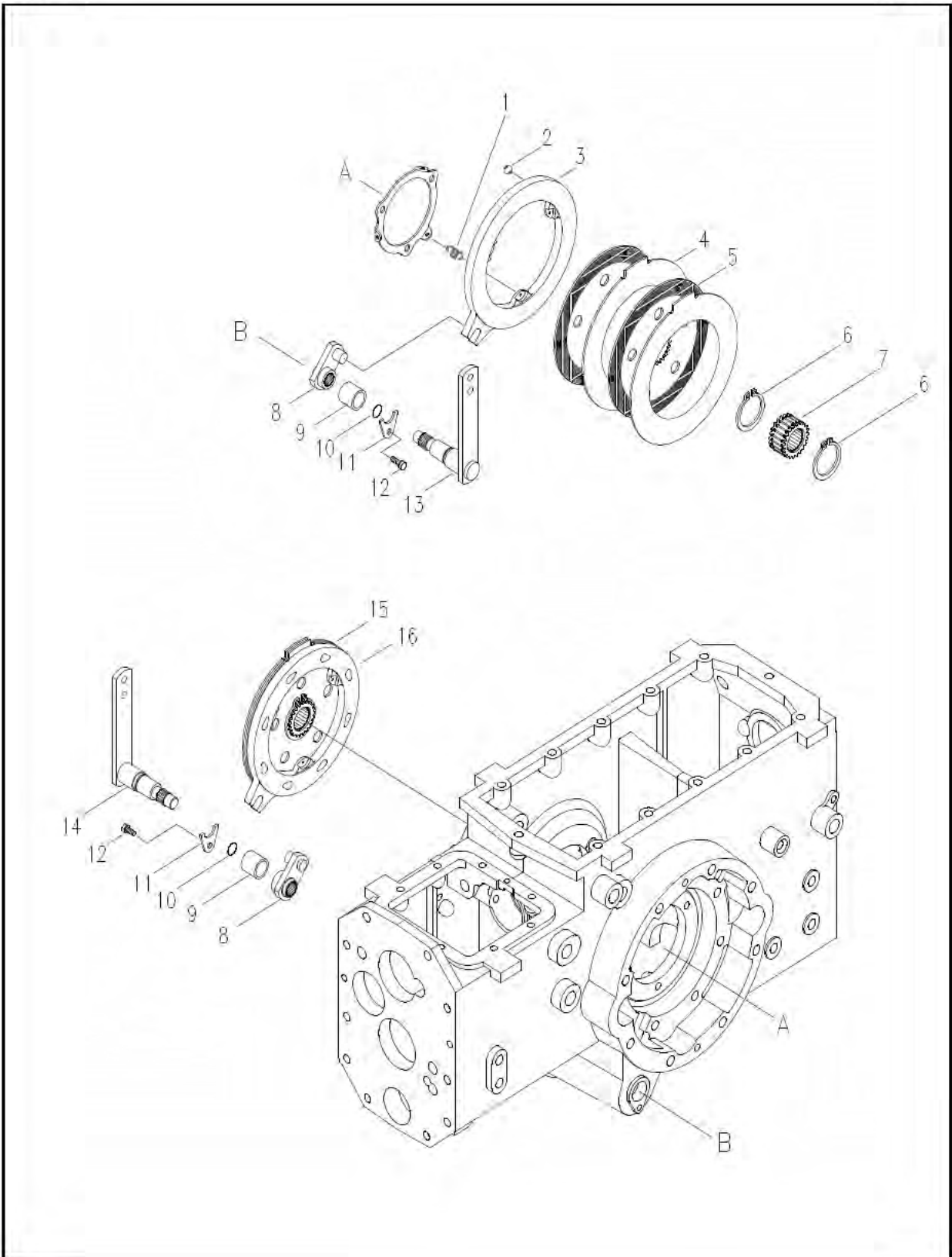
FIG. 7-1

NO.	PART NO.	PART NAME & DESCRIPTION		QTY			APP. NO	REM.
				A	B	C		
1-7	A1650072	BRAKE ASSY(LH)		1	1			
1	3A1653010	SPRING	D2	3	3			
2	3A1653007	BALL	1/2"	8	8			
3	A1650077	PLATE, CAM(LH)		1	1			
4	A1650107	PLATE, PRESSURE		2	2			
5	A1653063	PLATE, FRICTION		2	2			
6	S810058001	RING, SNAP	D53.8x2t	2	2			
7	A1650078	BOSS, SPLINE		1	1			
8	A1650079	INNER ARM, BRAKE		2	2			
9	A0677815	BUSHING, DU		2	2			
10	S801025010	O-RING		2	2			
11	A1650080	PLATE, BRAKE LEVER		2	2			
12	S154102033	BOLT, HEX	M10x1.25x20L	2	2			
13	A1670284	LEVER, BRAKE(LH)		1	1			
14	A1670285	LEVER, BRAKE(RH)		1	1			
15	A1650071	BRAKE ASSY(RH)		1	1			
16	A1650076	PLATE, CAM(RH)		1	1			

BRAKE

FIG. 7-1

G. 650



BRAKE

A-C38, B-C45

A-C38, B-C45

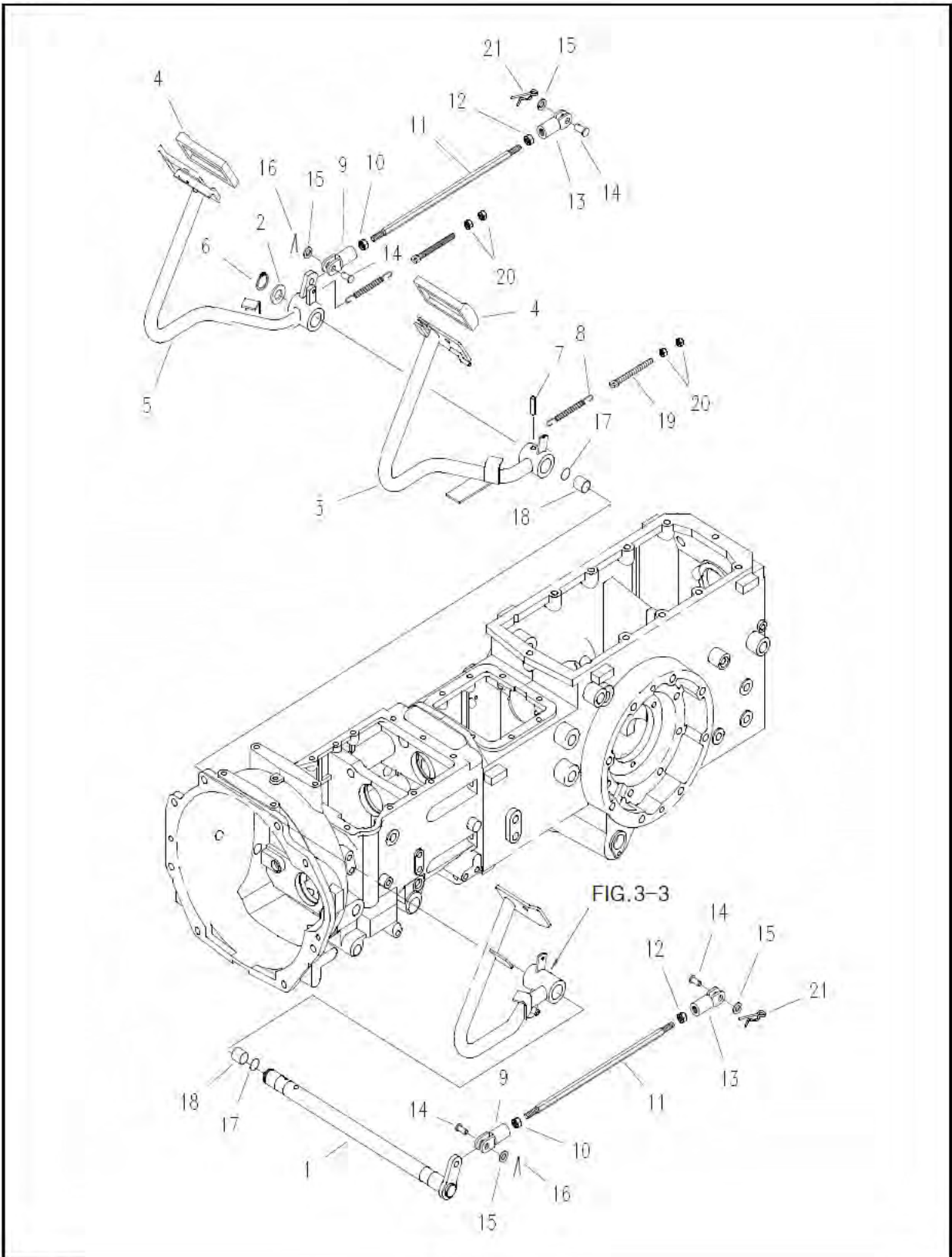
FIG. 7-1

NO.	PART NO.	PART NAME & DESCRIPTION			QTY			APP. NO	REM.
					A	B	C		
1-7	A1650072	브레이크 조립체(좌)	BRAKE ASSY(LH)		1	1			
1	3A1653010	스프링	SPRING	D2	6	6			
2	3A1653007	볼	BALL	1/2"	16	16			
3	A1650077	캠플레이트(좌)	PLATE, CAM(LH)		1	1			
4	A1653065	압력판	PLATE, PRESSURE		4	4			
5	A1653063	마찰판	PLATE, FRICTION		4	4			
6	S810058001	스냅링	RING, SNAP	D53.8x2t	4	4			
7	A1650078	보스	BOSS, SPLINE		2	2			
8	A1650079	암	INNER ARM, BRAKE		2	2			
9	A0677812	부싱	BUSHING, DU		2	2			
10	S801025010	오-링	O-RING		2	2			
11	A1650080	플레이트	PLATE, BRAKE LEVER		2	2			
12	S154102033	볼트	BOLT, HEX	M10x1.25x20L	2	2			
13	A1670284	브레이크 러버(좌)	LEVER, BRAKE(LH)		1	1			
14	A1670285	브레이크 러버(우)	LEVER, BRAKE(RH)		1	1			
15	A1650071	브레이크 조립체(우)	BRAKE ASSY(RH)		1	1			
16	A1650076	캠플레이트(우)	PLATE, CAM(RH)		1	1			

BRAKE PEDALS

FIG. 7-2

G. 670



BRAKE PEDALS

A-C38, B-C45

A-C38, B-C45

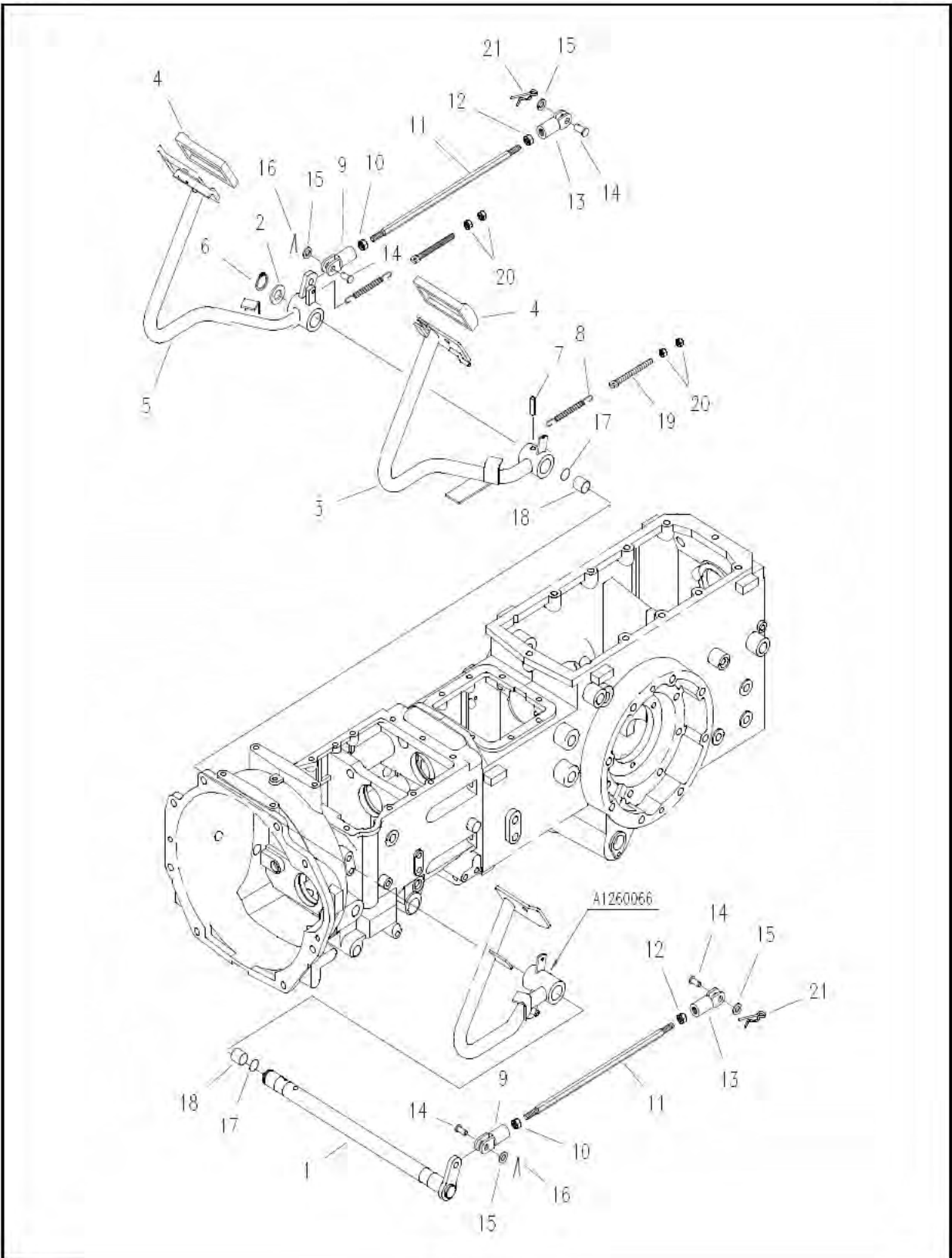
FIG. 7-2

NO.	PART NO.	PART NAME & DESCRIPTION	QTY			APP. NO	REM.
			A	B	C		
1	A1670327	SHAFT, BRAKE PEDAL	1	1			
2	S364240013	WASHER, FLAT	1	1			
3	A1670150	PEDAL, BRAKE (LH)	1	1			
4	A1670084	PAD, PEDAL	2	2			
5	A1670253	PEDAL, BRAKE (RH)	1	1			
6	S810025001	RING, SNAP	1	1			
7	S446084012	PIN, SPRING	1	1			
8	A1670288	SPRING	2	2			
9-13	A1670146	BRAKE ROD ASSY	2	2			
9	A1670148	END#1, BRAKE ROD	1	1			
10	S313100013	NUT, HEX	1	1			
11	A1670147	ROD, BRAKE	1	1			
12	A0611050	NUT, HEX	1	1			
13	A1670149	END#2, BRAKE ROD	1	1			
14	A1670118	PIN, CLEVIS	4	4			
15	S364100013	WASHER, PLAIN	4	4			
16	S441252013	PIN, SPLIT	2	2			
17	S801025010	O-RING	2	2			
18	A1970203	BUSHING	2	2			
19	A1260073	BOLT, ADJUSTER	2	2			
20	S313080043	NUT, HEX	4	4			
21	S443120013	PIN, CLIP	2	2			

BRAKE PEDALS

FIG. 7-2

G. 650



BRAKE PEDALS

A-C38, B-C45

A-C38, B-C45

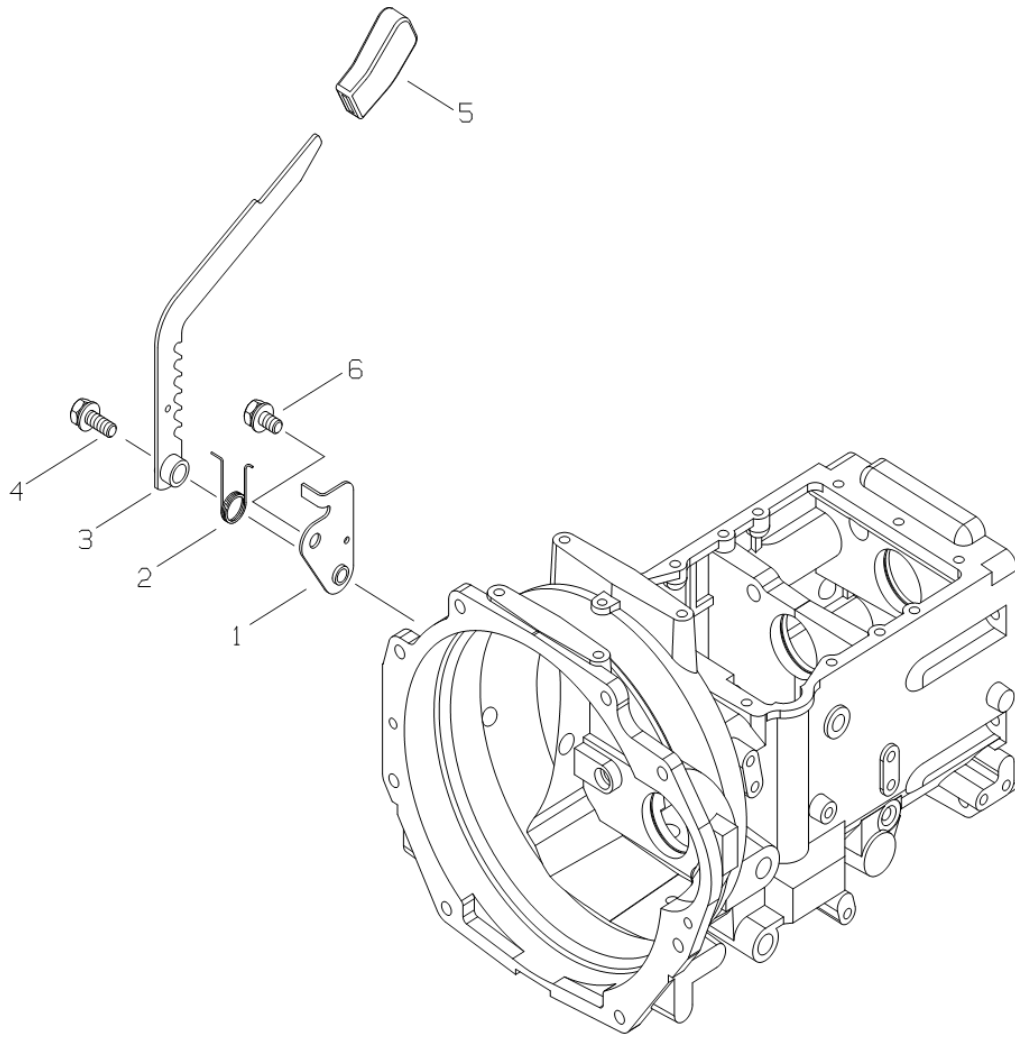
FIG. 7-2

NO.	PART NO.	PART NAME & DESCRIPTION		QTY			APP. NO	REM.
				A	B	C		
1	A1670152	SHAFT, BRAKE PEDAL		1	1			
2	S364240013	WASHER, FLAT	OD44xID25x4.0t	1	1			
3	A1670150	PEDAL, BRAKE (LH)		1	1			
4	A1670084	PAD, PEDAL		2	2			
5	A1670253	PEDAL, BRAKE (RH)		1	1			
6	S810025001	RING, SNAP	OD23.2x1.2t	1	1			
7	S446084012	PIN, SPRING	D8x40L	1	1			
8	A1670288	SPRING		2	2			
9-13	A1670146	BRAKE ROD ASSY		2	2			
9	A1670148	END#1, BRAKE ROD		1	1			
10	S313100013	NUT, HEX	M10x1.5(R)	1	1			
11	A1670147	ROD, BRAKE	M12	1	1			
12	A0611050	NUT, HEX	M10x1.5(L)	1	1			
13	A1670149	END#2, BRAKE ROD		1	1			
14	A1670118	PIN, CLEVIS	D10x26	4	4			
15	S363100013	WASHER, PLAIN	OD18xID10.5x2.0t	4	4			
16	S441302013	PIN, SPLIT	D3.0x20	2	2			
17	S801025010	O-RING	D24.7xW3.5	2	2			
18	A1970203	BUSHING	OD28xID25x20L	2	2			
19	A1260073	ADJUSTER	M8x1.25	2	2			
20	S301080043	NUT, HEX	M8x1.25	4	4			
21	S443120013	PIN, CLIP	D12x35.8	2	2			

PARKING BRAKE LEVER

FIG. 7-3A

G. 670



PARKING BRAKE LEVER

A-C38, B-C45

A-C38, B-C45

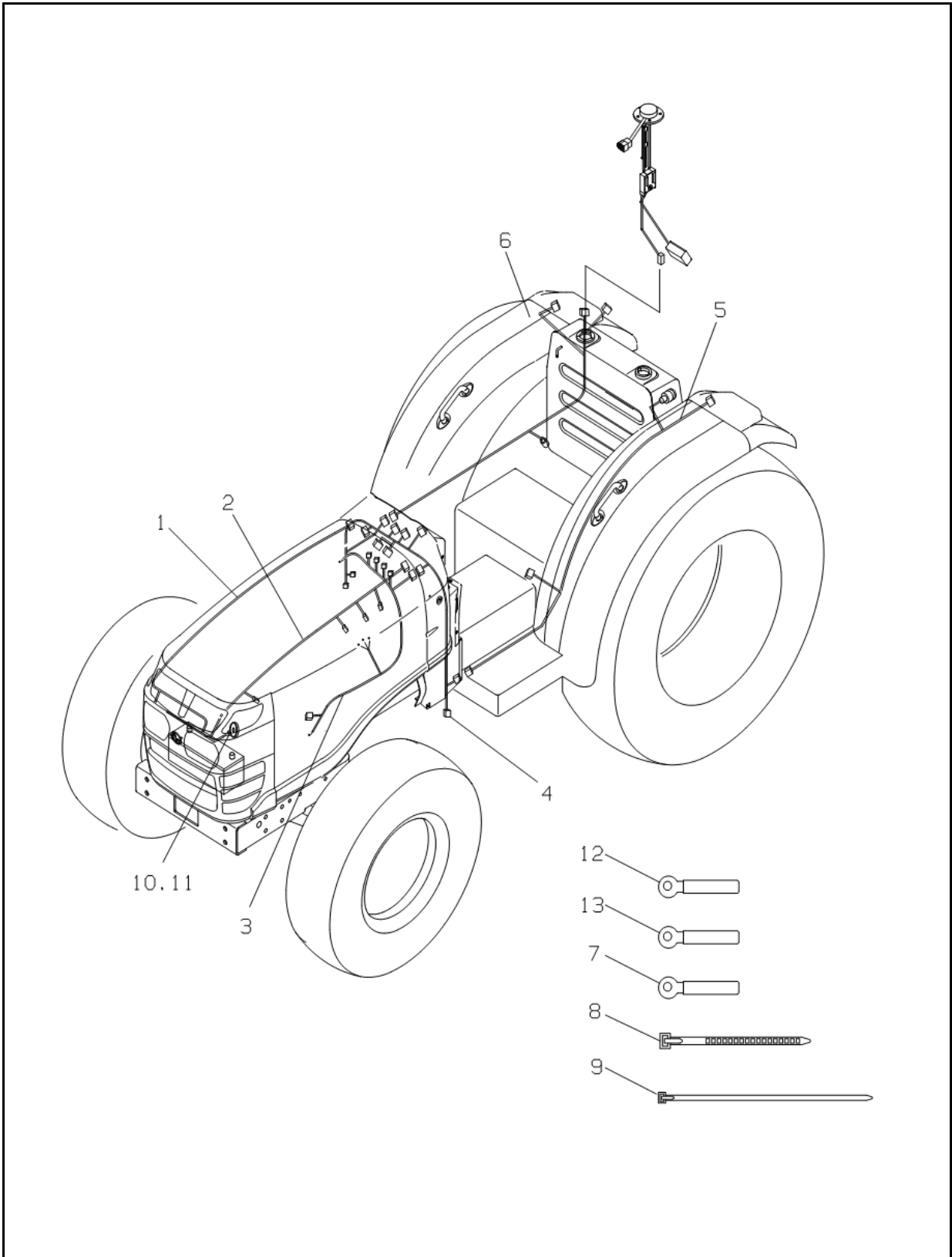
FIG. 7-3A DO, MY, EX, AG, TF

NO.	PART NO.	PART NAME & DESCRIPTION		QTY			APP. NO	REM.
				A	B	C		
1	A1670156	BRACKET		1	1			
2	A1670154	SPRING		1	1			
3	A1670153	RATCHET, PARKING		1	1			
4	S156103533	BOLT, HEX. W/WASHER	M10x1.25	1	1			
5	A1970241	GRIP		1	1			
6	S156102533	BOLT, HEX. W/WASHER	M10x1.25x25	1	1			

ELECTRICAL WIRING

FIG. 8-1B

G. 730



ELECTRICAL WIRING

A-C38, B-C45

A-C38, B-C45

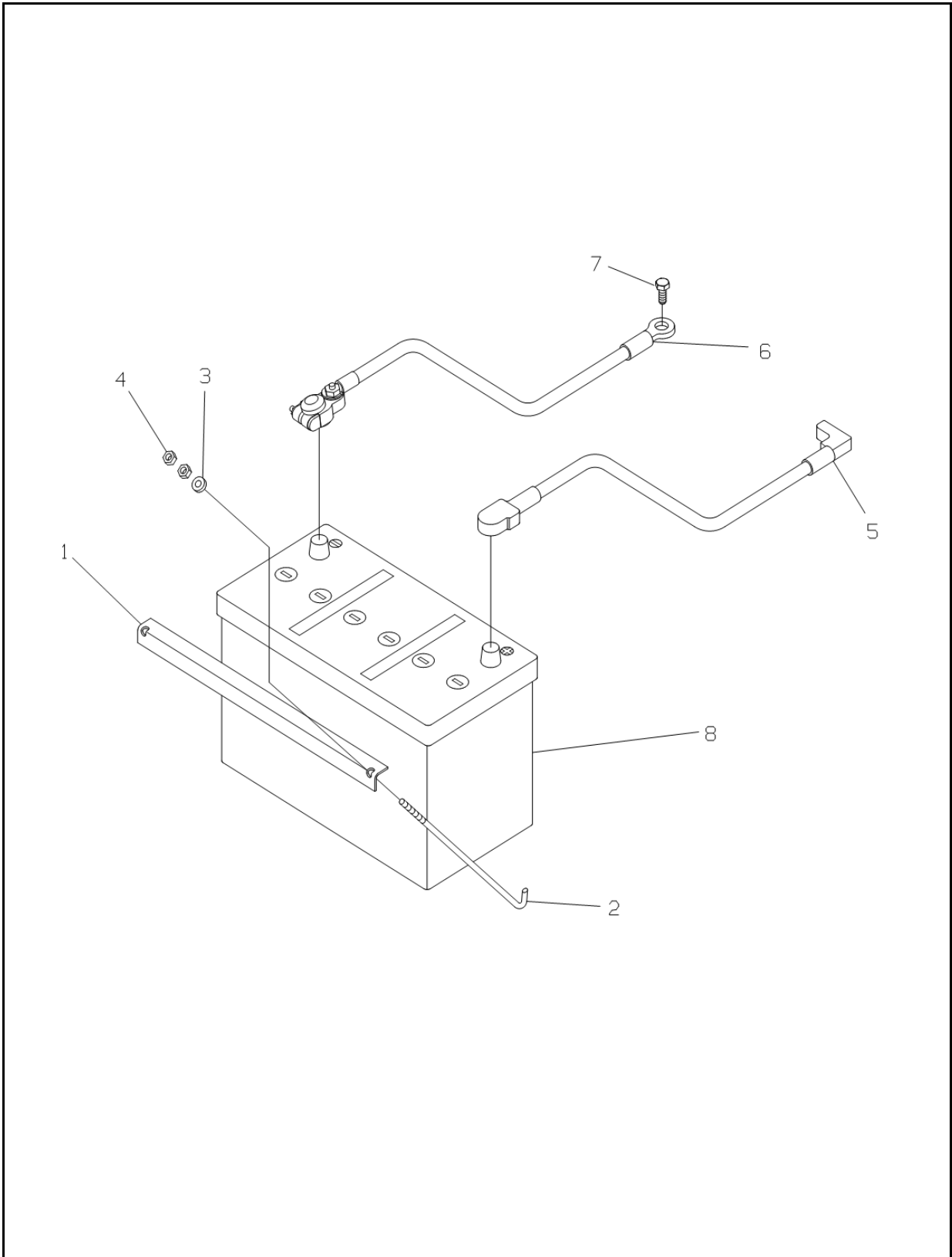
FIG. 8-1B EX, AG

NO.	PART NO.	PART NAME & DESCRIPTION	QTY			APP. NO	REM.
			A	B	C		
1	A1730152	HARNESS, FRONT LIGHT	1	1			
2	A1730093	HARNESS, FRONT SENSOR	1	1			
3	A1730177	HARNESS, ENGINE UNIT	1	1			
4	A1730207	HARNESS, PANEL	1	1			
5	A1730183	HARNESS, REAR(LH)	1	1			
6	A1730182	HARNESS, MIDDLE	1	1			
7	A0640015	CLAMP	5	5			
8	A0640028	BAND, WIRE	14	14			
9	A0640009	BAND, WIRE	5	5			
10	S155062033	BOLT, HEX	M6x1.0x20L	1	1		
11	A5002054	HORN	1	1			
12	A0640103	CLAMP	3	3			
13	A0641020	CLAMP	1	1			

BATTERY

FIG. 8-2

G. 740



BATTERY

A-C38, B-C45

A-C38, B-C45

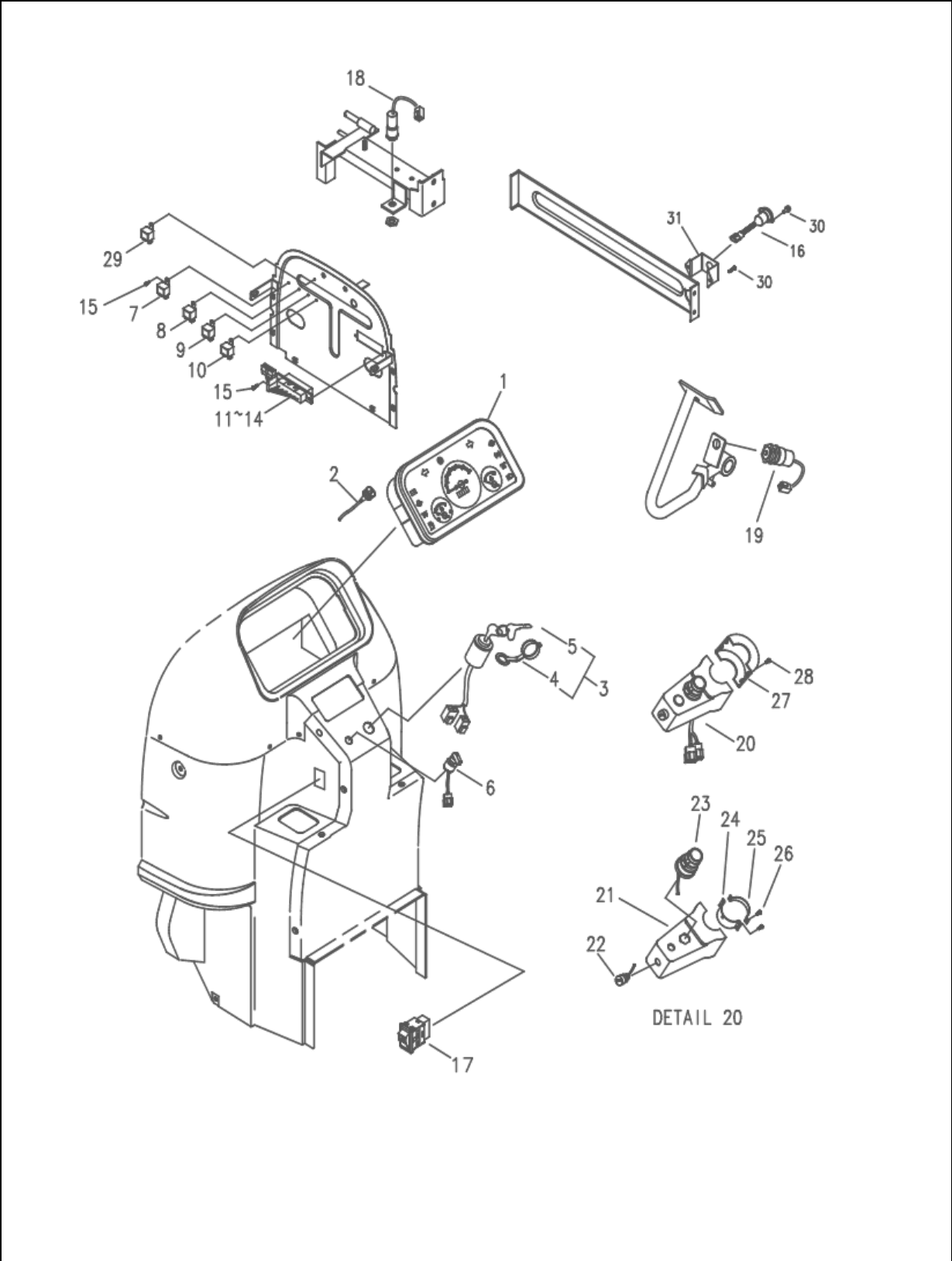
FIG. 8-2

NO.	PART NO.	PART NAME & DESCRIPTION	QTY			APP. NO	REM.
			A	B	C		
1	A1740003	CLAMP, BATTERY	1	1			
2	A1741021	ROD, BATTERY CLAMP	2	2			
3	S363060013	WASHER, PLAIN	2	2			
4	S305060013	NUT, HEX	4	4			
5	A1740020	CABLE, BATTERY (+) POS.	1	1			
6	A1740030	CABLE, BATTERY (-) NEG.	1	1			
7	S155082033	BOLT, HEX. W/WASHER	1	1			
8	A1740002	BATTERY, MF	1	1			

INSTRUMENT PANEL

FIG. 8-3B

G. 750



INSTRUMENT PANEL

A-C38, B-C45

A-C38, B-C45

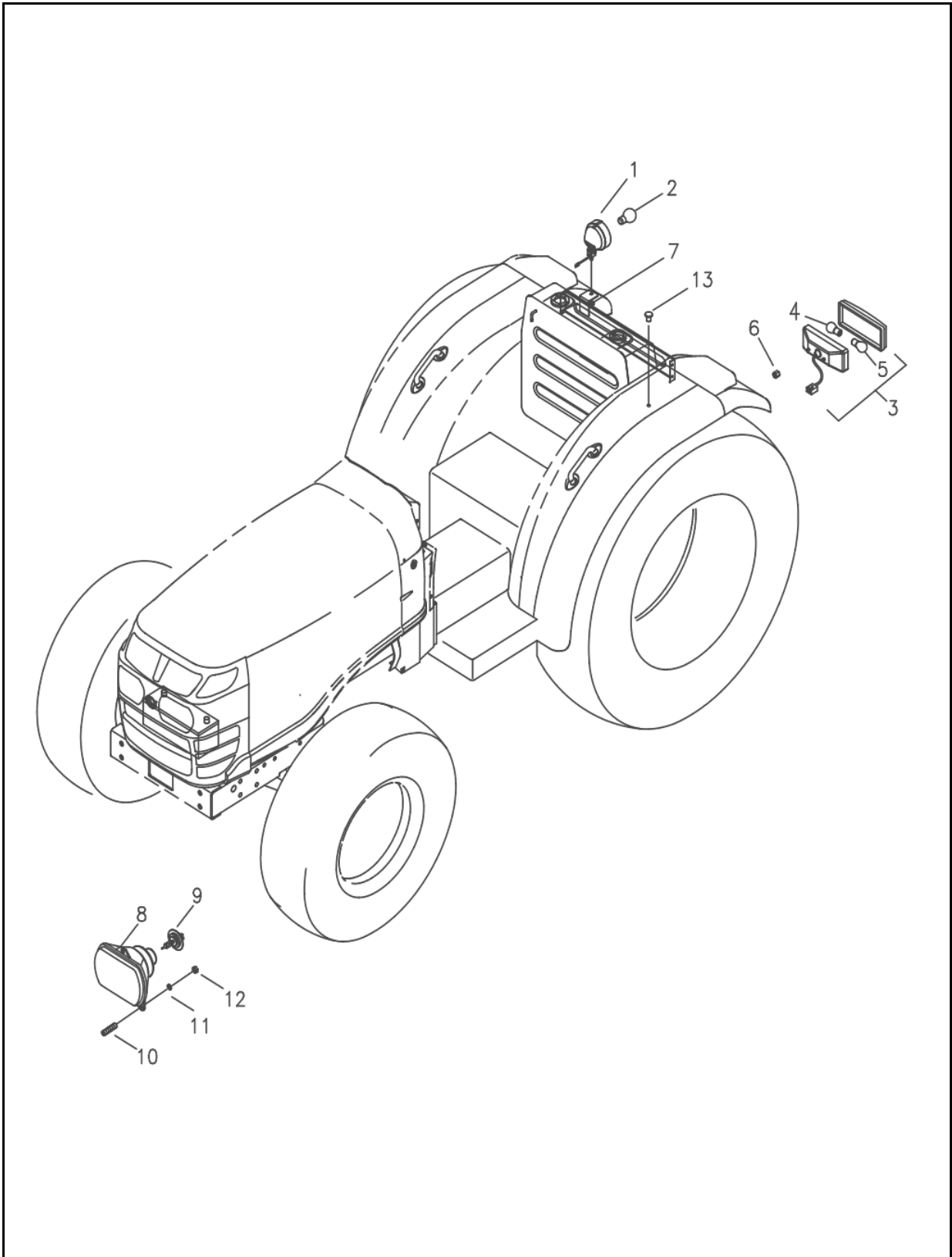
FIG. 8-3B EX, AG

NO.	PART NO.	PART NAME & DESCRIPTION		QTY			APP. NO	REM.
				A	B	C		
1	A1750294	INSTRUMENT PANEL ASSY		1	1			
-	A1750140	LAMP	12V, 1.4W	7	7			
-	A1750141	LAMP	12V, 3.4W	7	7			
2	A1750165	CABLE, TACHOMETER		1	1			
3	A5001132	KEY SWITCH ASSY		1	1			
4	A5001135	CAP, KEY		1	1			
5	A1750290	KEY		1	1			
6	A1750152	SWITCH, PTO SELLECTOR		1	1			
7	Q1800011	GLOW RELAY ASSY		1	1			
8	Q1800017	TIMER, GLOW		1	1			
9	Q1800018	RELAY, START		1	1			
10	A30G0005	RELAY		1	1			
11~14	A1750124	FUSE BOX ASSY		1	1			
11	A30C0075	BOX, FUSE		1	1			
12	A0751005	FUSE, 10A	10A	4	4			
13	A0751006	FUSE, 15A	15A	3	3			
14	A0751007	FUSE, 20A	20A	2	2			
15	S159061633	BOLT, HEX	M6x1.0x16L	7	7			
16	A1730171	7-POLE CONNECTOR ASS'Y		1	1			OPT
17	A1750161	SWITCH, EMERGENCY		1	1			
18	A1750173	SWITCH, BRAKE		1	1			
19	A1750174	SWITCH, START/PTO		1	1			
20	A1750258	STR. COLUMN S/W ASSY		1	1			
21	A1750178	COVER, COMBI SWITCH		1	1			
22	A1750179	SWITCH, HORN		1	1			
23	A1750257	SWITCH, COMBI		1	1			
24	A1750181	CLAMP A		1	1			
25	A1750182	CLAMP B		1	1			
26	S226401211	SCREW, W/SPR.	M4x0.7x12L	4	4			
27	A1750153	COVER, COMBI SWITCH		1	1			
28	S224402511	SCREW, CROSS	M4x0.7x25L	4	4			
29	Q1800010	RELAY, KEY OFF		1	1			
30	S155081633	BOLT, HEX. W/WASHER	M8x1.25x16L	4	4			
31	A1750267	BRACKET, 7-POLE		1	1			

LAMP

FIG. 8-4B

G. 760



LAMP

A-C38, B-C45

A-C38, B-C45

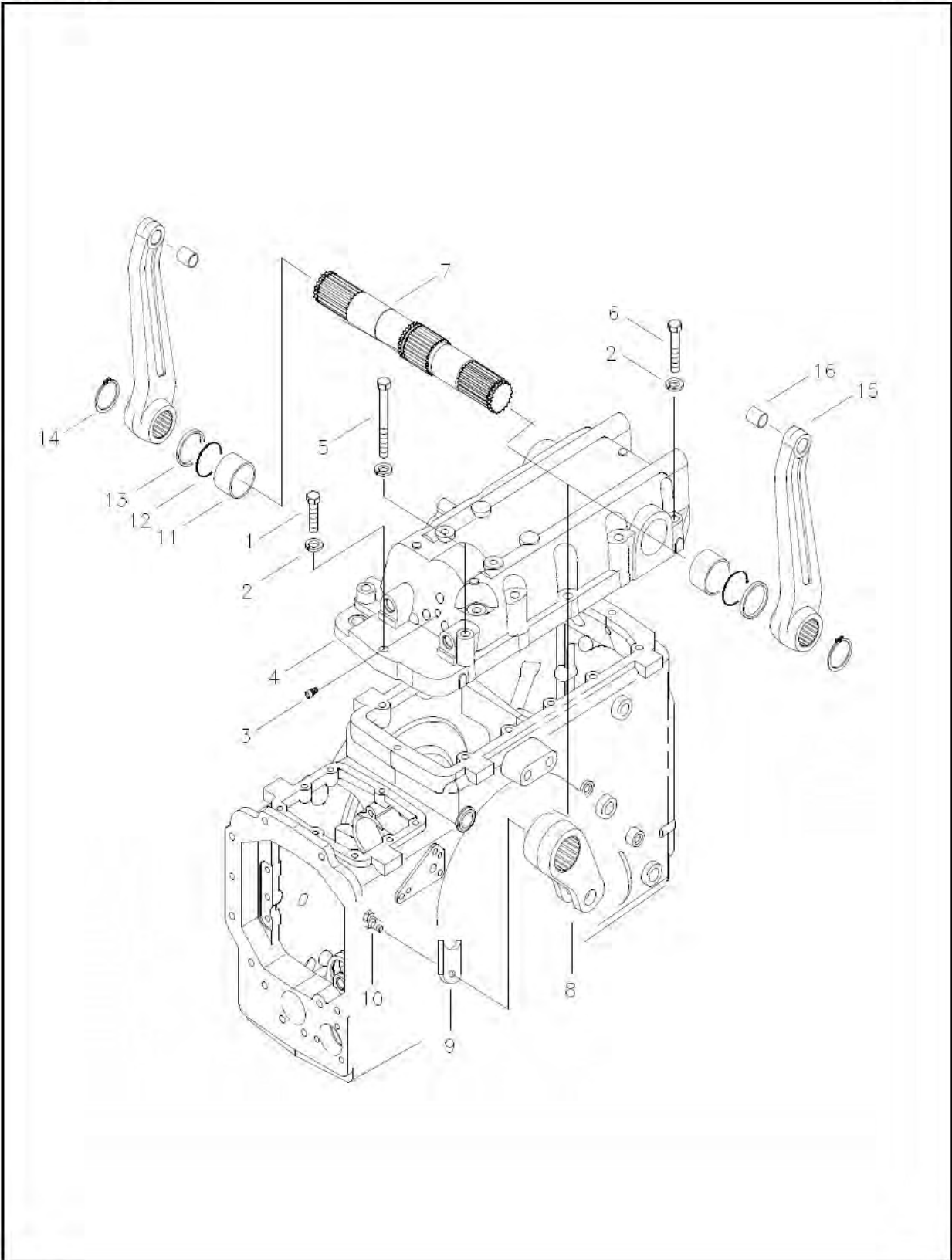
FIG. 8-4B EX, AG, TF

NO.	PART NO.	PART NAME & DESCRIPTION		QTY			APP. NO	REM.
				A	B	C		
1	A1760037	LAMP, WORKING		1	1			
2	A1760043	BULB	12V/23W	1	1			
3	A1760047	COMBI LAMP ASSY		2	2			
4	A1760016	BULB	12V/21/5W	2	2			
5	A1760017	BULB	12V/21W	3	3			
6	S345050013	NUT, HEX	M5x1.0P	4	4			
7	S313080013	NUT, HEX	M8x1.25P	1	1			
8	A1760044	HEAD LAMP		2	2			
9	A1760048	BULB	12V, 40/45W	2	2			
10	A1760003	SPRING		6	6			
11	S364060013	WASHER, PLN. F-RD		6	6			
12	A1970309	NUT, LOCK		6	6			
13	A0610083	PLUG		2	2			

HYDRAULIC HOUSING

FIG. 9-1A

G. 820



HYDRAULIC HOUSING

A-C38, B-C45

A-C38, B-C45

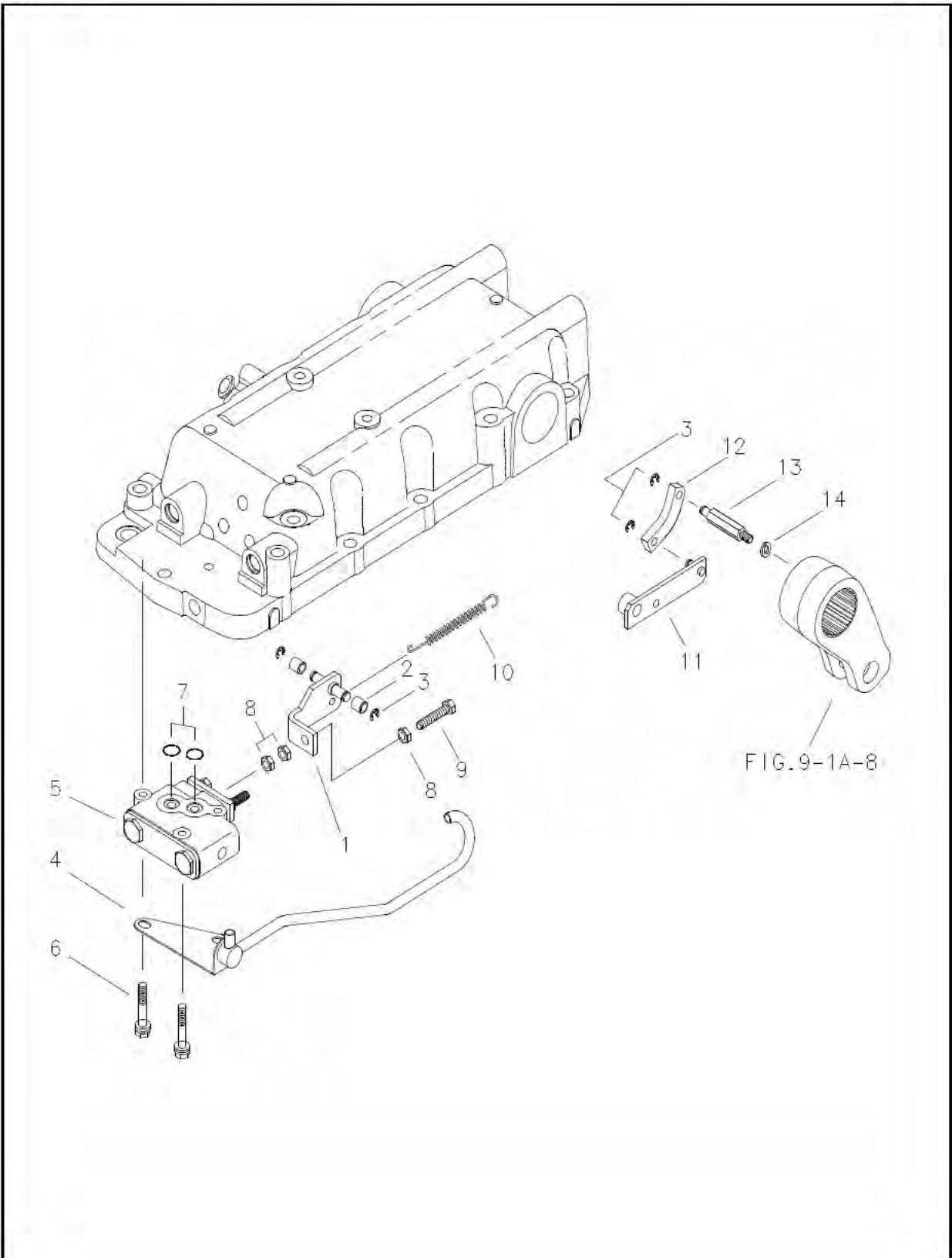
FIG. 9-1A

NO.	PART NO.	PART NAME & DESCRIPTION	QTY			APP. NO	REM.
			A	B	C		
1	S105124543	BOLT, HEX. SMALL	M12×1.75×45	4	4		
2	S361120013	WASHER, SPRING	Φ21.5×Φ12.2×3t	12	12		
3	A1250049	PLUG, AIRVENT		1	1		
4	A1820032	HOUSING, HYD		1	1		
5	S105128543	BOLT, HEX. SMALL	M12×1.75×85	4	4		
6	S105126043	BOLT, HEX. SMALL	M12×1.75×60	4	4		
7	A1821030	SHAFT, HYD. LIFT		1	1		
8	A1821029	ARM, POWER		1	1		
9	A1826094	PLATE, LOCK		1	1		
10	S153081633	BOLT, HEX	M8×1.25×16	1	1		
11	3A1821005	BUSHING	Φ45×Φ50×30	2	2		
12	S802045010	O-RING	D44.4×3.1	2	2		
13	3A1821004	COLLAR	Φ45×Φ50×5	2	2		
14	S810042001	RING, SNAP	Φ38.5	2	2		
15	2A1821006	ARM, LIFT		2	2		
16	3A1821007	BUSHING	Φ19×Φ22×25	2	2		

LIFT CONTROL VALVE & LINK

FIG. 9-2B

G. 822



LIFT CONTROL VALVE & LINK

A-C38, B-C45

A-C38, B-C45

FIG. 9-2B

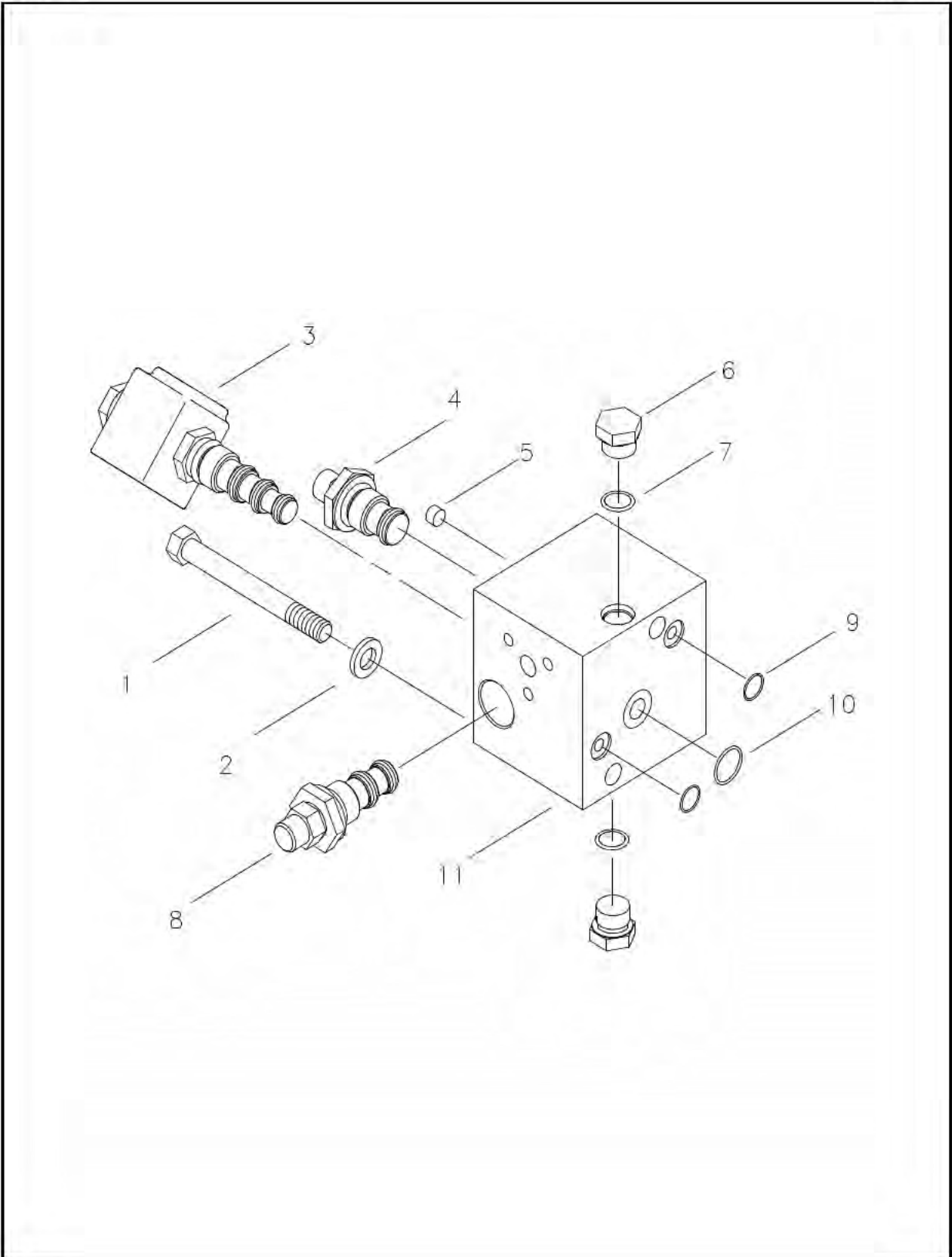
(DRAFT CONTROL)

NO.	PART NO.	PART NAME & DESCRIPTION	QTY			APP. NO	REM.
			A	B	C		
1~3	A1824025	CLEVIS ASSY	1	1			
1	A1824030	CLEVIS	1	1			
2	3A1822006	ROLLER	2	2			
3	S814006003	RING, SNAP (E)	4	4			
4	2A1822012	PIPE, LUBRICATE	1	1			
5	A1822151	VALVE, CONTROL	1	1			
6	S155085033	BOLT, HEX	3	3			
7	S801012020	O-RING	2	2			
8	S313080043	NUT, HEX	3	3			
9	S163085043	BOLT, HEX	1	1			
10	A1822086	SPRING	1	1			
11	A1824028	LINK	1	1			
12	3A1822010	LINK (E)	1	1			
13	A1822031	PIN	1	1			
14	S361080013	WASHER, SPRING	1	1			

TM CONTROL VALVE

FIG. 9-3

G. 822



TM CONTROL VALVE

A-C38, B-C45

A-C38, B-C45

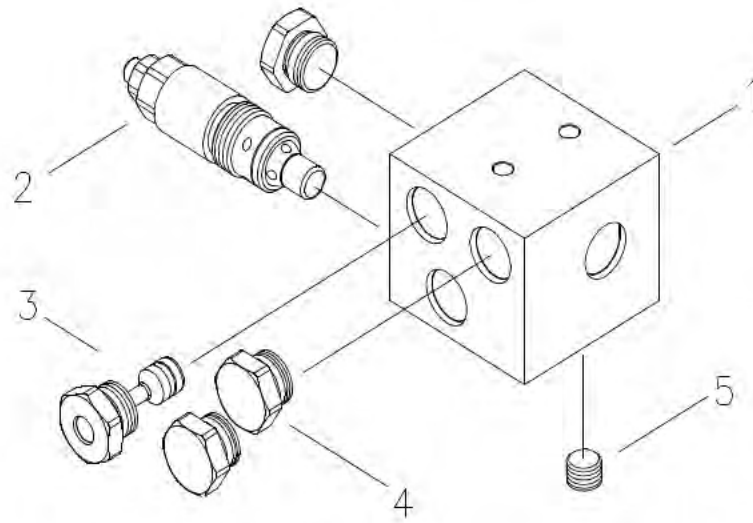
FIG. 9-3

NO.	PART NO.	PART NAME & DESCRIPTION		QTY			APP. NO	REM.
				A	B	C		
1	S107109043	BOLT, HEX	M10×1.25×90	2	2			
2	S361100013	WASHER, SPRING	Φ18.4×Φ10.2×2.5t	2	2			
3~11	A1822089	IND . PTO VAVLE ASSY		1	1			
3	A1822091	VAVLE, SOLENOID		1	1			
4	A1822105	VALVE, SEQUENCE		1	1			
5	A1822095	ORIFICE	Φ1.3	1	1			
6	A1822094	PLUG	PF1/4	2	2			
7	S801011010	O-RING	D10.8x2.4	2	2			
8	A1822093	REDUCING VALVE		1	1			
9	S801011011	O-RING	D9.8x2.4	2	2			
10	S801018010	O-RING	D17.8x2.4	1	1			
11	A1822090	BODY, PTO VALVE		1	1			

FRONT OUTLET & LOADER VALVE

FIG. 9-4

G. 822



FRONT OUTLET & LOADER VALVE

A-C38, B-C45

A-C38, B-C45

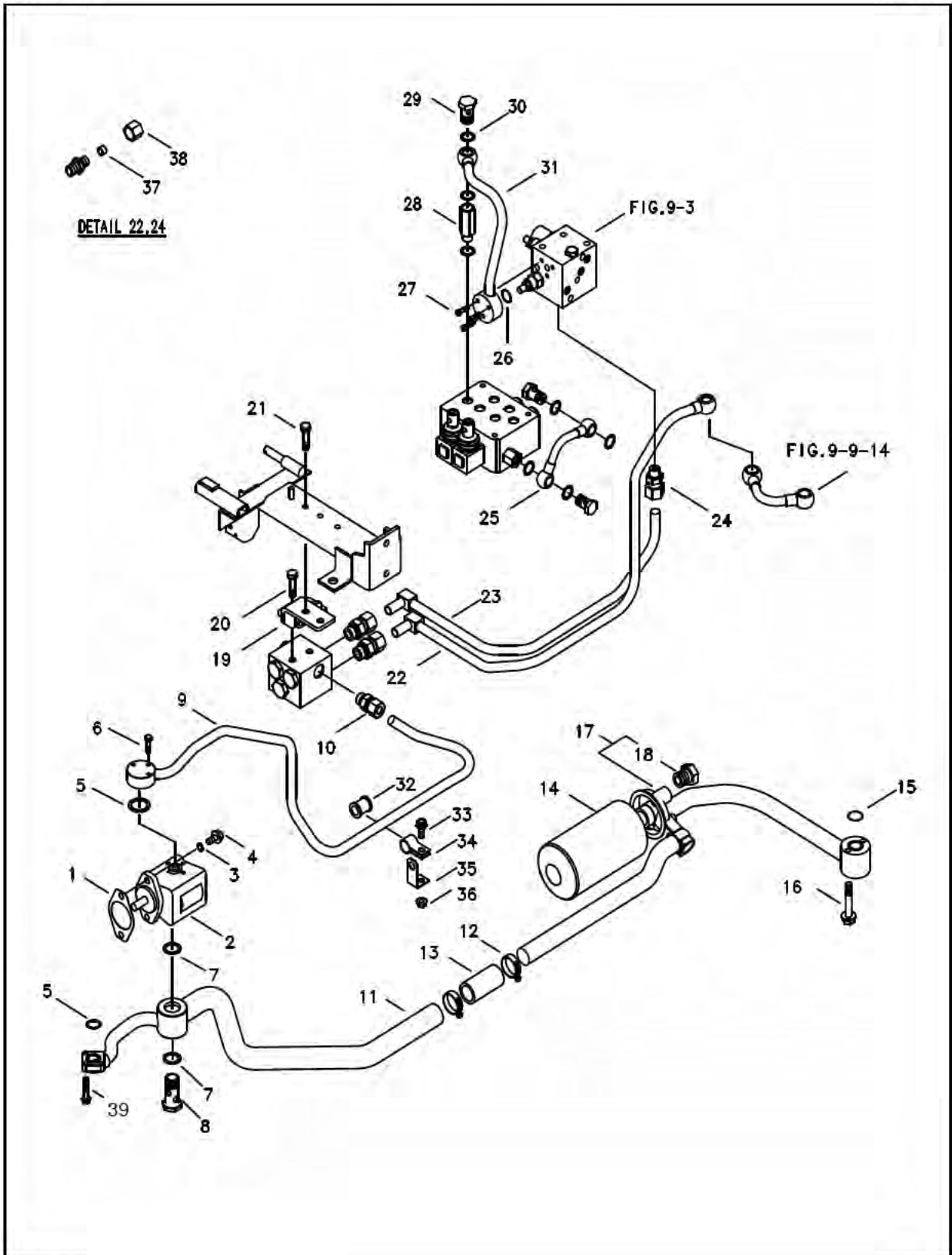
FIG. 9-4

NO.	PART NO.	PART NAME & DESCRIPTION		QTY			APP. NO	REM.
				A	B	C		
1~5	A1822127	OUTLET VALVE ASSY		1	1			
1	A1822128	VALVE BLOCK		1	1			
2	A1822077	VALVE, RELIEF		1	1			
3	A1822131	PLUG, CARRY OVER		1	1			
4	A5001244	PLUG	PF1/2	3	3			
5	A0610168	PLUG	PT1/4	1	1			

HYDRAULIC LINE

FIG. 9-5C

G. 823



HYDRAULIC LINE

A-C38, B-C45

A-C38, B-C45

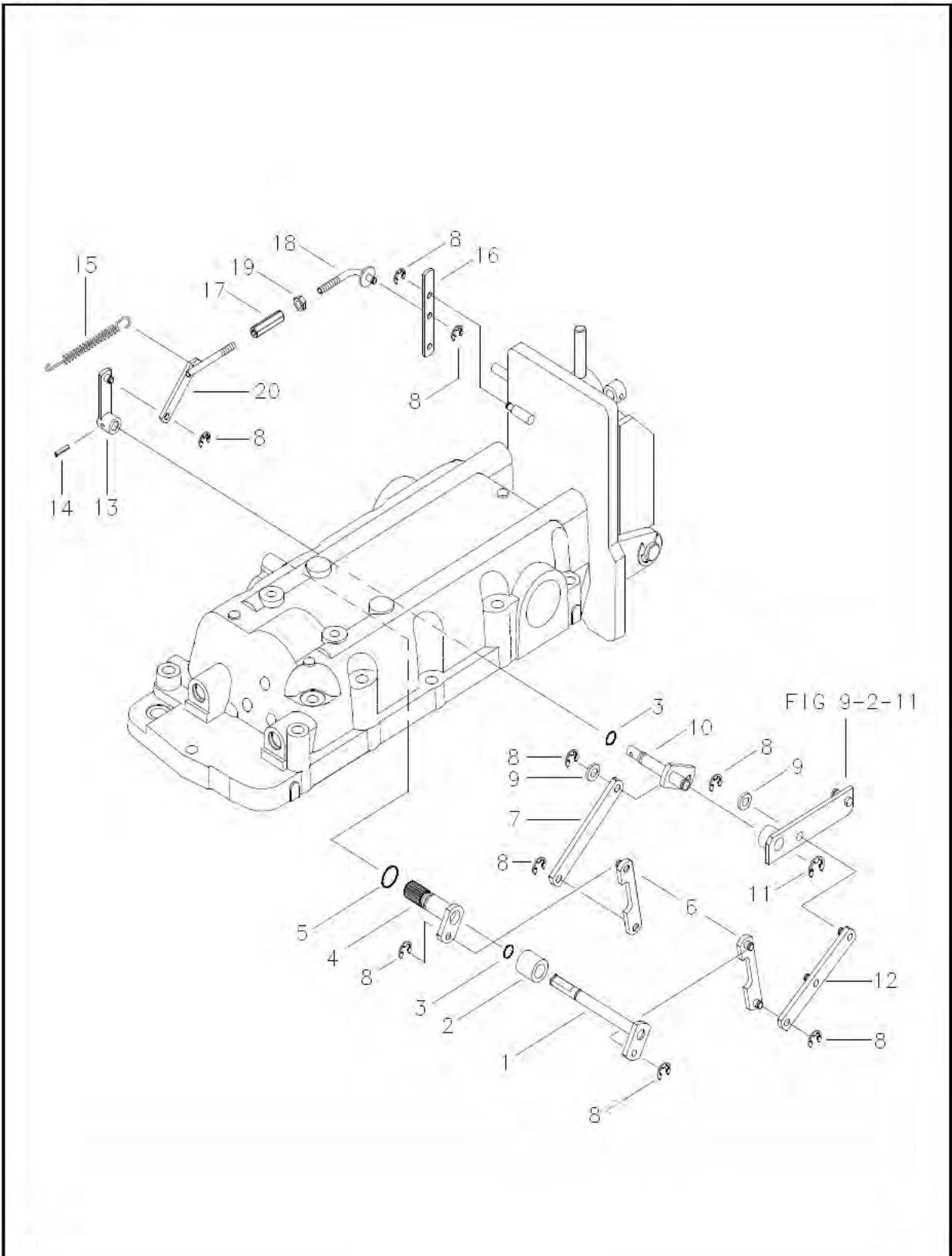
FIG. 9-5C AG (INDP, F/OUTLET)

NO.	PART NO.	PART NAME & DESCRIPTION	QTY			APP. NO	REM.
			A	B	C		
1	A1823103	GASKET, PUMP	0.6t	1	1		
2	A1823533	PUMP, HYD	12.87cc/rev	1	1		
3	S361100013	WASHER, SPRING	D10.2×2.5t	2	2		
4	S107102543	BOLT, HEX	M10×1.25×25	2	2		
5	S801018010	O-RING	D17.8×D2.4	2	2		
6	S153063533	BOLT, HEX	M6×1.0×35	3	3		
7	A1823168	WASHER, COPPER		1	1		
8	3A1823003	BOLT, UNION	PF3/4	1	1		
9~10	A1823545	F/PRESSURE PIPE ASSY		1	1		
9	A1823546	PIPE, F/PRESSURE	D15	1	1		
10	A1823144	JOINT	BOM15-04G	1	1		
11	A1823547	PIPE, F/SUCTION		1	1		
12	A1970201G	CLAMP, HOSE	27-50	2	2		
13	A5000401	HOSE, SUCTION		1	1		
14	A1823315	FILTER, HYD		1	1		
15	S804026010	O-RING	D25.5×2.0	1	1		
16	S154107033	BOLT, HEX	M10×1.25×70	2	2		
17	A1823417	PIPE, R/SUCTION		1	1		
18	A5001244	PLUG	PF1/2	1	1		
19	A1822158	BRACKET, F/OUTLET VALVE		1	1		
20	S153082033	BOLT, HEX. W/WASHER	M8X1.25X20	2	2		
21	S153082533	BOLT, HEX. W/WASHER	M8X1.25X25	2	2		
10,22	A1823492	DRAIN PIPE ASSY		1	1		
22	A1823493	PIPE, F/OUTLET V/V DRAIN		1	1		
10,23,24	A1823490	M/PRESSURE PIPE ASSY		1	1		
23	A1823491	PIPE, M/PRESSURE PIPE		1	1		
24	A1823189	JOINT	BOM15-03G	1	1		
25	A1823182	PIPE, R/PRESSURE		1	1		
26	S801016010	O-RING	D15.8×D2.4	1	1		
27	S153063033	BOLT, HEX	M6×1.0×30	3	3		
28	A1827157	CONNECTOR		1	1		
29	A1630201	BOLT, UNION	PF3/8	3	3		
30	A1823245	SEAL, BONDED	OD24XID16.8X1.5t	7	7		
31	A1823181	PIPE, AUX/PRESSURE	Φ15X1.5t	1	1		
32	3A1823029	CUSHION , CLAMP		1	1		
33	S155082533	BOLT, HEX	M8×1.25×25	1	1		
34	A1823121	CLAMP, PIPE		1	1		
35	3A1823032	BRACKET, CLAMP		1	1		
36	S345080013	NUT, FLANGE B-TY	M8×1.25	1	1		
37	A1823033	SLEEVE	Φ15	1	1		
38	A1823034	NUT, HEX		1	1		
39	S153062533	BOLT, HEX. W/WASHER		3	3		

HYDRAULIC LINKAGE

FIG. 9-6B

G. 824



HYDRAULIC LINKAGE

A-C38, B-C45

A-C38, B-C45

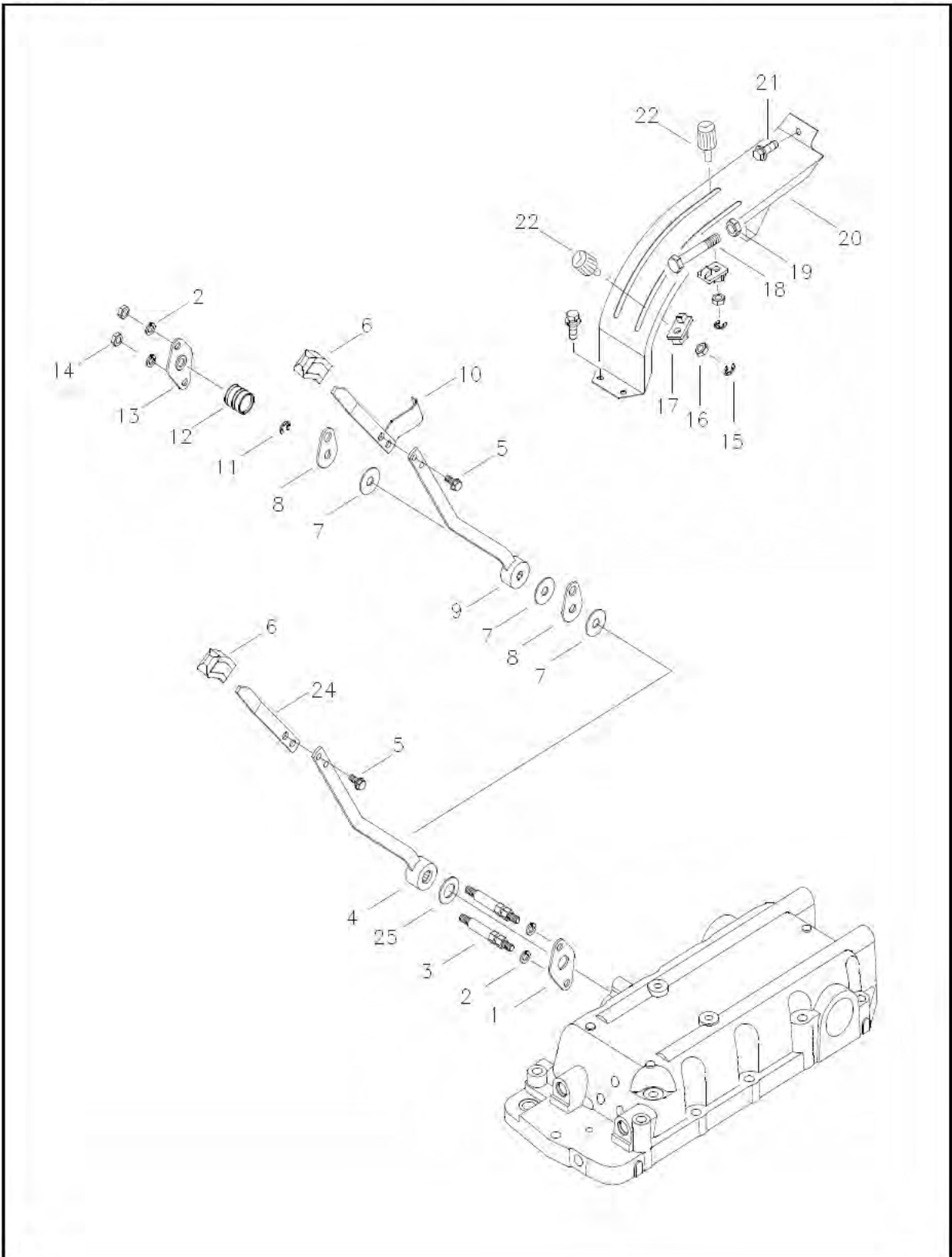
FIG. 9-6B (DRAFT CONTROL)

NO.	PART NO.	PART NAME & DESCRIPTION		QTY			APP. NO	REM.
				A	B	C		
1	A1824020	SHAFT, POSITION		1	1			
2	A1824029	SPACER	$\Phi 20 \times \Phi 12 \times 23.5$	1	1			
3	S801009010	O-RING	D8.8×19	2	2			
4	A1824021	SHAFT, DRAFT		1	1			
5	S801016010	O-RING	D15.8×2.4	1	1			
6	3A1824003	LINK (B)		2	2			
7	A1824097	LINK, DRAFT		1	1			
8	S814006003	RING, SNAP	$\Phi 6$	9	9			
9	S364080013	WASHER, PLAIN	$\Phi 17 \times \Phi 8.4 \times 1.6t$	2	2			
10	A1824022	SHAFT		1	1			
11	S814009003	RING, SNAP	$\Phi 9$	1	1			
12	A1824026	LINK, POSITION		1	1			
13	A1824019	ARM		1	1			
14	S446042012	PIN, SPRING	$\Phi 4 \times 20$	1	1			
15	A1824035	SPRING		1	1			
16	3A1824011	LINK, PAC		1	1			
17	3A1824014	JOINT		1	1			
18	3A1824010	ROD (A)		1	1			
19	S313080043	NUT, HEX		1	1			
20	3A1824007	ROD (B)		1	1			

HYDRAULIC CONTROL LEVER

FIG. 9-7B

G. 825



HYDRAULIC CONTROL LEVER

A-C38, B-C45

A-C38, B-C45

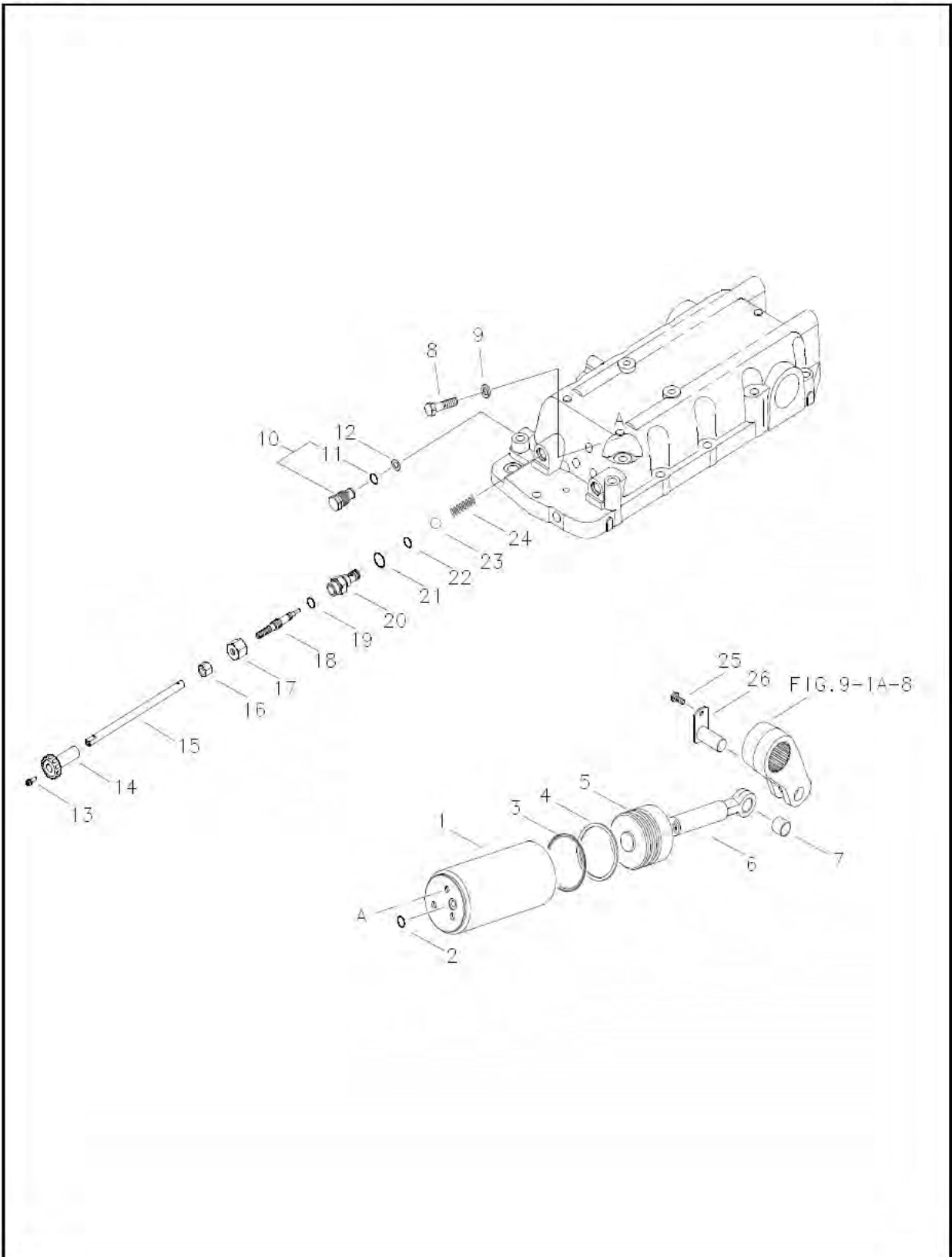
FIG. 9-7B EX, AG, VA, PT, TK (DRAFT CONTROL)

NO.	PART NO.	PART NAME & DESCRIPTION		QTY			APP. NO	REM.
				A	B	C		
1	A1825033	COVER		1	1			
2	S361100013	WASHER, SPRING	Φ10.2×2.5t	4	4			
3	A1825085	SUPPORT, LEVER		2	2			
4	A1825059	LEVER, DRAFT CONTROL		1	1			
5	S155082033	BOLT, HEX	M8×1.25×20	4	4			
6	A1970241	GRIP		2	2			
7	A1825024	PLATE, FRICTION(S)	D13×2t	3	3			
8	A1825053	PLATE, LOCKING		2	2			
9	A1825058	LEVER, POSITION		1	1			
10	A1825145	EXTENTION, LEVER(SWITCH)		1	1			
11	A1825061	EXTENTION, LEVER(NO S/W)		1	1			
12	S810012001	RING, SNAP	Φ11.1x1.0t	1	1			
13	A1825086	SPRING		1	1			
14	A1825034	COVER		1	1			
15	S302100043	NUT, HEX	M10×1.25	2	2			
16	S814006003	RING, SNAP	Φ6x0.8t	4	4			
17	S305080043	NUT, HEX	M8x1.25	4	4			
18	A1825057	STOPPER, LEVER		4	4			
19	S163085043	BOLT, HEX	M8x1.25x50	2	2			
20	S313080013	NUT, HEX	M8x1.25	2	2			
21	A1825159	GUIDE, HYD. LEVER		1	1			
22	S159081633	BOLT, HEX	M8x1.25x16	3	3			
23	A1825056	GRIP		4	4			
24	A1825060	SHIM	0.5~1.6t	AR	AR			
25	A1825023	EXTENTION, LEVER		1	1			
		PLATE, FRICTION(L)	D21×2t	1	1			

HYDRAULIC CYLINDER

FIG. 9-8

G. 826



HYDRAULIC CYLINDER

A-C38, B-C45

A-C38, B-C45

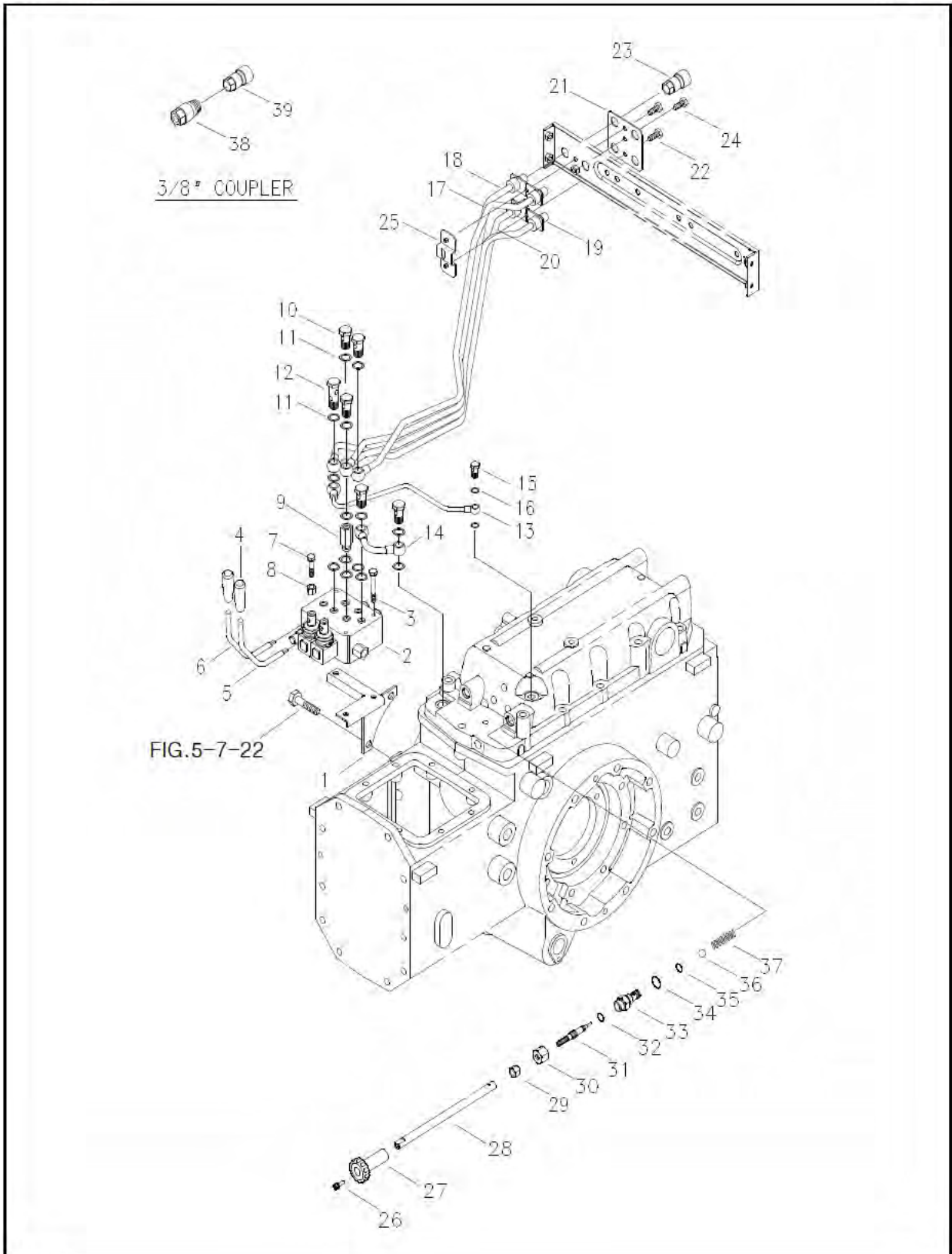
FIG. 9-8

NO.	PART NO.	PART NAME & DESCRIPTION		QTY			APP. NO	REM.
				A	B	C		
1	A1826032	CYLINDER, HYD.	Φ80	1	1			
2	S801014020	O-RING	Φ13.8×2.4	1	1			
3	A1826085	O-RING	Φ69.6×5.7	2	2			
4	A1826048	RING, BACKUP	Φ80×Φ70×3t	2	2			
5	3A1826003	PISTON, HYD.	Φ80	1	1			
6	A1826033	ROD, PISTON		1	1			
7	3A1970002	BUSHING	Φ22×Φ25×20	1	1			
8	S103125043	BOLT, HEX	M12×1.25×50	3	3			
9	S361120013	WASHER, SPRING	Φ12.2×3t	3	3			
10	A1826037	VALVE, SAFETY		1	1			
11	S801018010	O-RING	D17.8×2.4	1	1			
12	A1826036	SEAL	Φ10.5×Φ18×1t	1	1			
13	S157051633	BOLT, HEX.	M6X1.0X16	1	1			
14	A1970353	KNOB		1	1			
15	A1826130	ROD		1	1			
16	S345080013	NUT, FLANGE B-TY	M8×1.25	1	1			
17~22	A1826078	FLOW, REGULATOR		1	1			
17	A1826081	NUT, HEX	M18×1.25	1	1			
18	A1826080	SCREW, ADJUST		1	1			
19	S801006020	O-RING	Φ5.8×1.9	1	1			
20	A1826079	BODY, REGULATOR		1	1			
21	S801014020	O-RING	D13.8×2.4	1	1			
22	S801010020	O-RING	D9.8×1.9	1	1			
23	A20063480	BALL, STEEL	3/8"	1	1			
24	A1826058	SPRING	Φ8.6×1.4	1	1			
25	S153081633	BOLT, HEX	M8×1.25×16	1	1			
26	3A1826001	PIN	Φ22	1	1			

REMOTE CONTROL VALVE & LINE

FIG. 9-9B

G. 827



REMOTE CONTROL VALVE & LINE

A-C38, B-C45

A-C38, B-C45

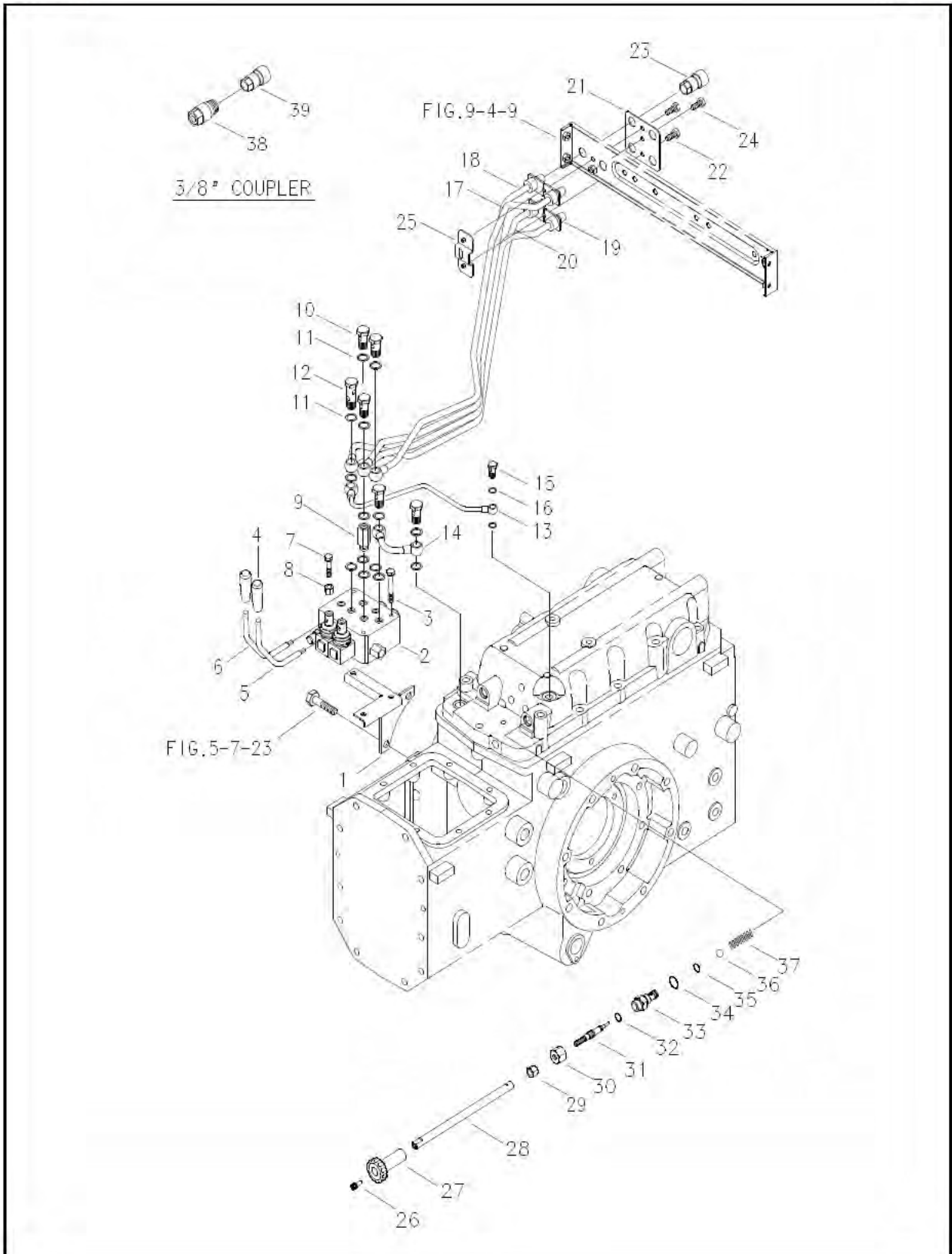
FIG. 9-9B AG, VA, PT (F/OUTLET)

NO.	PART NO.	PART NAME & DESCRIPTION		QTY			APP. NO	REM.
				A	B	C		
1	A1827143	BRACKET, VALVE		1	1	1		
2	A1827260	VALVE, REMOTE CON.	SD5-2	1	1	1		W/O RELIEF
3	S153086033	BOLT, HEX	M8×1.25×60	3	3	3		
4	A1970242	GRIP, VALVE LEVER		2	2	2		
5	A1827145	LEVER(2), VALVE		1	1	1		
6	A1827144	LEVER(1), VALVE		1	1	1		
7	S101102543	BOLT, HEX . SMALL	M10×1.5×25	2	2	2		
8	S305100013	NUT, HEX	M10×1.5	2	2	2		
9	A1827152	CONNECTOR	PF3/8	1	1	1		
10	A1630201	BOLT, UNION	PF3/8	4	4	4		
11	A1823245	SEAL, BONDED	Φ24×Φ16.8×1t	15	15	15		
12	A1827151	BOLT, UNION	PF3/8	2	2	2		
13	A1827154	PIPE, AUX . S/D		1	1	1		
14	A1827150	PIPE, AUX . DRAIN		1	1	1		
15	A1823157	BOLT, UNION	M12×1.75	1	1	1		
16	A1823158	WASHER, COPPER	Φ18×12.2×1t	2	2	2		
17	A1827279	PIPE, 1ST UP	PT 1/2"	1	1	1		
18	A1827281	PIPE, 2ND UP	PT 1/2"	1	1	1		
19	A1827280	PIPE, 1ST DN	PT 1/2"	1	1	1		
20	A1827282	PIPE, 2ND DN	PT 1/2"	1	1	1		
21	A1827167	BRACKET, PIPE		1	1	1		
22	S159082033	BOLT , HEX W/WASHER	M8×1.25×20	2	2	2		
23	A1827177	QUICK COUPLER	PT1/2"	4	4	4		
24	S159081633	BOLT, HEX W/WASHER	M8x1.25x16	1	1	1		
25	A1827196	BRACKET PIPE		1	1	1		
26	S157051633	BOLT, HEX.	M6X1.0X16	1	1	1		
27	A1970353	KNOB		1	1	1		
28	A1826130	ROD		1	1	1		
29	S345080013	NUT . FLANGE B - TY	M8×1.25	1	1	1		
30~35	A1826078	FLOW, REGULATOR		1	1	1		
30	A1826081	NUT, HEX	M18×1.5	1	1	1		
31	A1826080	SCREW, ADJUST		1	1	1		
32	S801006020	O-RING	D5.8×1.9	1	1	1		
33	A1826079	BODY, REGULATOR		1	1	1		
34	S801014020	O-RING	D13.8×2.4	1	1	1		
35	S801010020	O-RING	D9.8×1.9	1	1	1		
36	A20063480	BALL, STEEL	3/8" TAB16306	1	1	1		
37	A1826058	SPRING	Φ8.6×Φ1.4	1	1	1		
38	A1827286	ADAPTER	PT3/8"	4	4	4		
39	A1827168	QUICK COUPLER	PT3/8"	4	4	4		

REMOTE CONTROL VALVE & LINE

FIG. 9-9

G. 827



REMOTE CONTROL VALVE & LINE

A-C38, B-C45

A-C38, B-C45

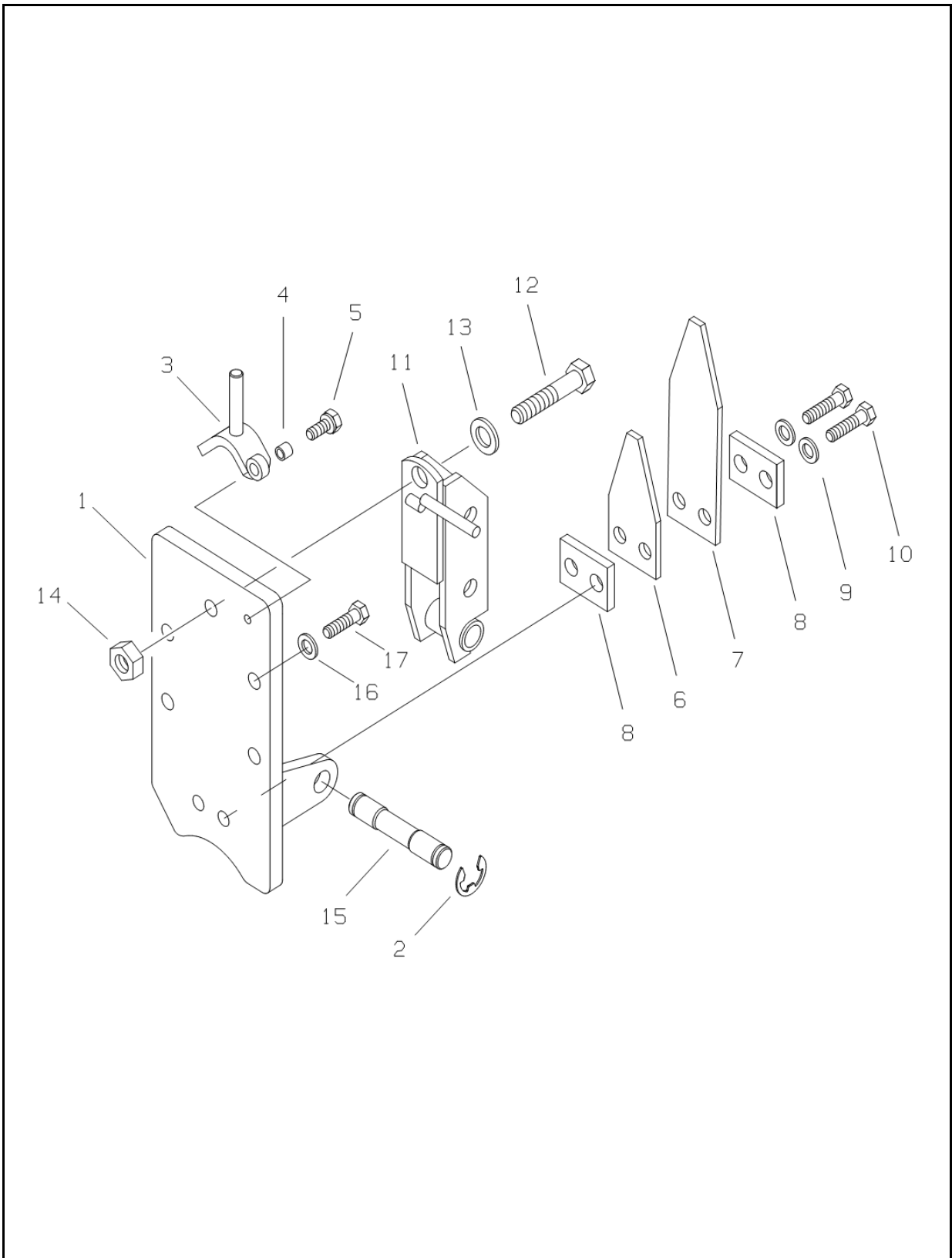
FIG. 9-9

NO.	PART NO.	PART NAME & DESCRIPTION		QTY			APP. NO	REM.
				A	B	C		
1	A1827143	BRACKET, VALVE		1	1			
2	A1827260	VALVE, REMOTE CON.	SD5-2	1	1			
3	S153086033	BOLT, HEX	M8×1.25×60	3	3			
4	A1970242	GRIP, VALVE LEVER		2	2			
5	A1827145	LEVER(2), VALVE		1	1			
6	A1827144	LEVER(1), VALVE		1	1			
7	S101102543	BOLT, HEX . SMALL	M10×1.5×25	2	2			
8	S305100013	NUT, HEX	M10×1.5	2	2			
9	A1827152	CONNECTOR	PF3/8	1	1			
10	A1630201	BOLT, UNION	PF3/8	4	4			
11	A1823245	SEAL, BONDED	Φ24×Φ16.8×1t	15	15			
12	A1827151	BOLT, UNION	PF3/8	2	2			
13	A1827154	PIPE, AUX . S/D		1	1			
14	A1827150	PIPE, AUX . DRAIN		1	1			
15	A1823157	BOLT, UNION	M12×1.75	1	1			
16	A1823158	WASHER, COPPER	Φ18×12.2×1t	2	2			
17	A1827279	PIPE, 1ST UP	PT 1/2"	1	1			
18	A1827281	PIPE, 2ND UP	PT 1/2"	1	1			
19	A1827280	PIPE, 1ST DN	PT 1/2"	1	1			
20	A1827282	PIPE, 2ND DN	PT 1/2"	1	1			
21	A1827167	BRACKET, PIPE		1	1			
22	S159082033	BOLT , HEX W/WASHER	M8×1.25×20	2	2			
23	A1827177	QUICK COUPLER	PS1/2	4	4			
24	S159081633	BOLT, HEX W/WASHER	M8x1.25x16	1	1			
25	A1827196	BRACKET PIPE		1	1			
26	S157051633	BOLT,HEX.	M6X1.0X16	1	1			
27	A1970353	KNOB		1	1			
28	A1826130	ROD		1	1			
29	S345080013	NUT . FLANGE B - TY	M8×1.25	1	1			
30~35	A1826078	FLOW, REGULATOR		1	1			
30	A1826081	NUT, HEX	M18×1.5	1	1			
31	A1826080	SCREW, ADJUST		1	1			
32	S801006020	O-RING	D5.8×1.9	1	1			
33	A1826079	BODY, REGULATOR		1	1			
34	S801014020	O-RING	D13.8×2.4	1	1			
35	S801010020	O-RING	D9.8×1.9	1	1			
36	A20063480	BALL, STEEL	3/8" TAB16306	1	1			
37	A1826058	SPRING	Φ8.6×Φ1.4	1	1			
38	A1827284	ADAPTER	PS3/8	2	*			(PS3/8)
39	A1827168	QUICK COUPLER	PS3/8	2	*			(PS3/8)

UPPER LINK BRACKET

FIG. 9-10B

G. 828



UPPER LINK BRACKET

A-C38, B-C45

A-C38, B-C45

FIG. 9-10B

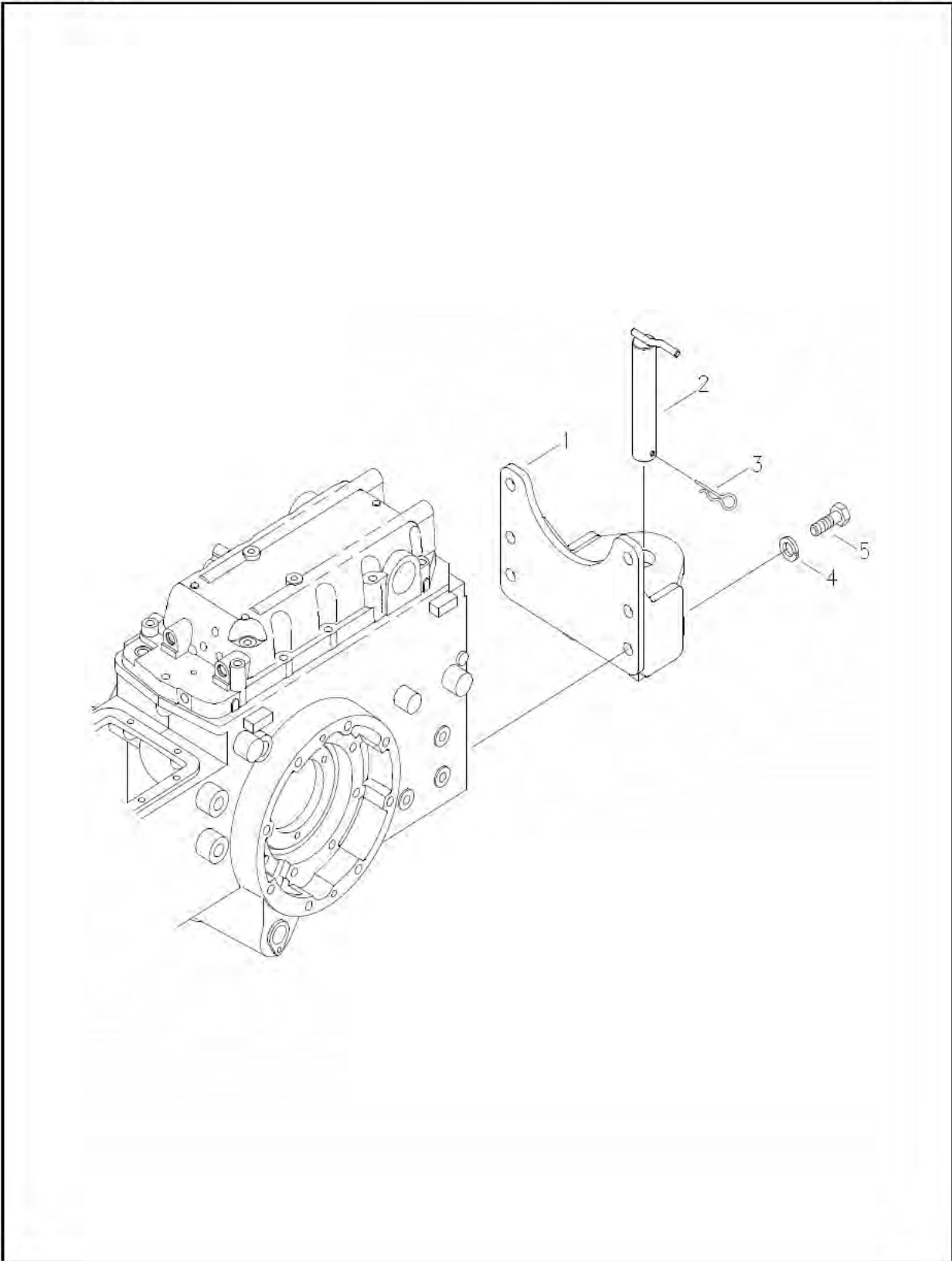
(DRAFT CONTROL)

NO.	PART NO.	PART NAME & DESCRIPTION	QTY			APP. NO	REM.
			A	B	C		
1~15	A1828033	UPPER LINK BRACKET ASSY	1	1			
1	A1828034	UPPER LINK BRACKET	1	1			
2	S814015003	RING, SNAP	2	2			
3	3A1828010	STOPPER	1	1			
4	3A1828014	COLLAR	1	1			
5	S155082533	BOLT, HEX	M8×1.0x25	1	1		
6	3A1828021	SPRING, LEAF		1	1		
7	3A1828022	SPRING, LEAF		1	1		
8	A1828057	PLATE		2	2		
9	S361140013	WASHER, SPR.		2	2		
10	S107144543	BOLT, HEX	M14×1.5×45	2	2		
11	A1828035	BRACKET		1	1		
12	S103167043	BOLT, HEX	M16×1.5×70	1	1		
13	S364160053	WASHER	D16	1	1		
14	S314160013	NUT, HEX	M16×1.5	1	1		
15	3A1828025	PIN	D20	1	1		
16	S361140013	WASHER		4	4		
17	S101143543	BOLT, HEX	M14×2.0×35	4	4		

DRAWBAR HITCH

FIG. 9-11A

G. 891



DRAWBAR HITCH

A-C38, B-C45

A-C38, B-C45

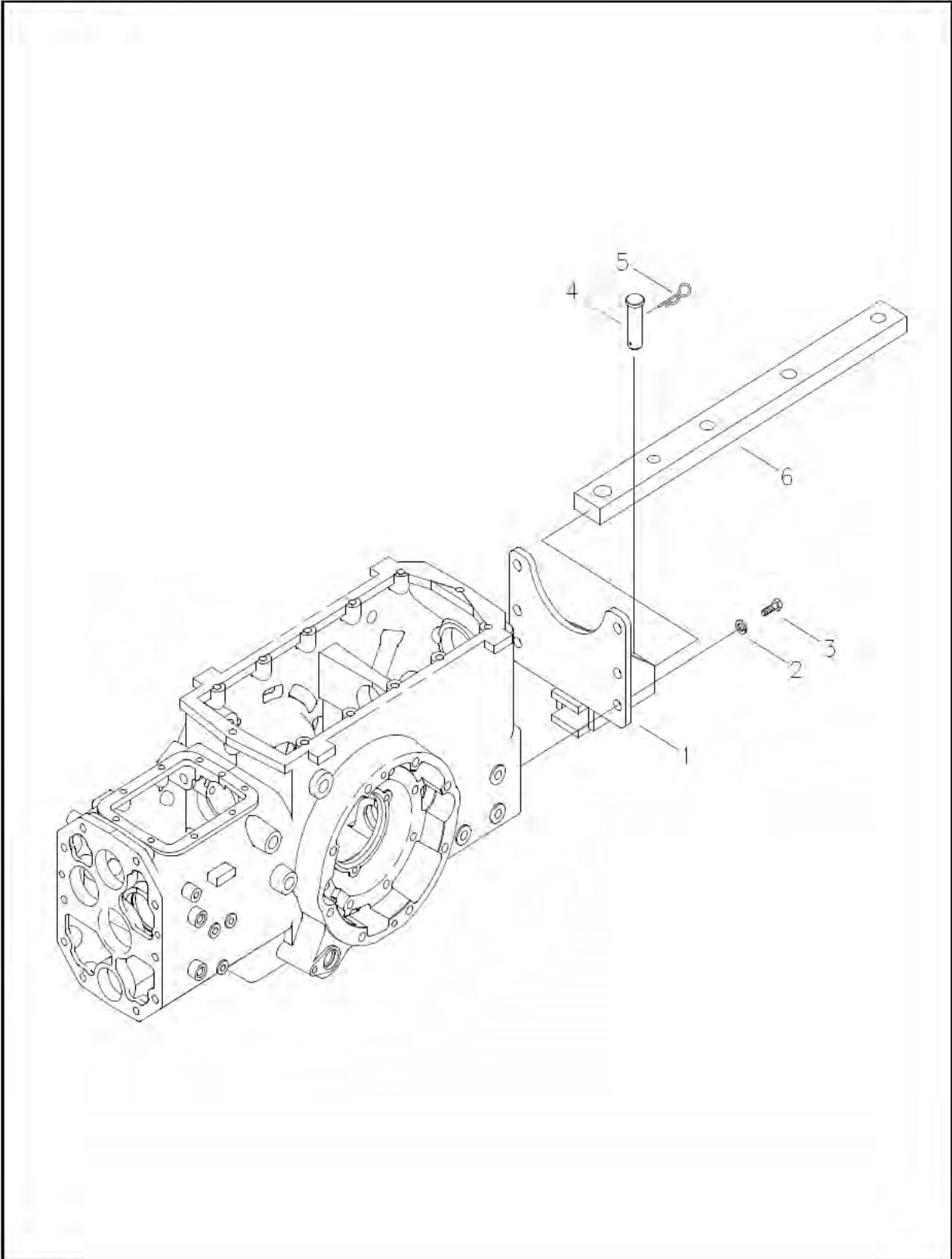
FIG. 9-11A DO, MY (GENERAL HITCH)

NO.	PART NO.	PART NAME & DESCRIPTION	QTY			APP. NO	REM.
			A	B	C		
1	A1891043	HITCH, DRAWBAR	1	1			
2	A1891044	PIN, DRAWBAR	1	1			
3	3A1970091	PIN, SNAP	1	1			
4	S361140013	WASHER, SPRING	6	6			
5	S101144043	BOLT, HEX	6	6			

DRAWBAR HITCH

FIG. 9-11B

G. 891



DRAWBAR HITCH

A-C38, B-C45

A-C38, B-C45

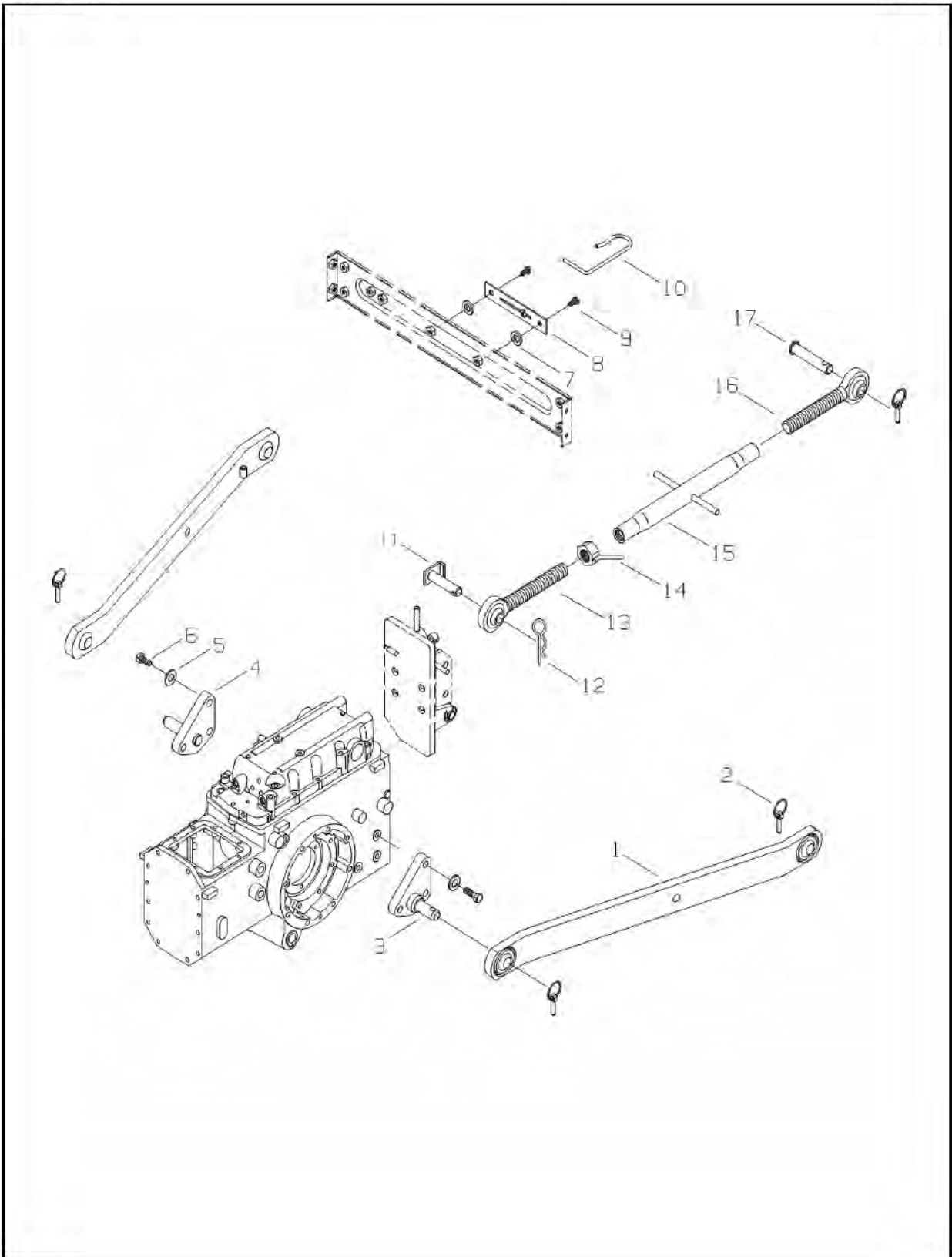
FIG. 9-11B EX, AG, TF (TELESCOPIC DRAWBAR)

NO.	PART NO.	PART NAME & DESCRIPTION	QTY			APP. NO	REM.
			A	B	C		
1	A1891049	SUPPORT, HITCH	1	1			
2	S361140013	WASHER, SPRING	6	6			
3	S101144043	BOLT, HEX	6	6			
4	A1891033	PIN, CLEVIS	1	1			
5	3A1970091	PIN, SNAP	1	1			
6	A1891057	DRAWBAR (ASAE)	1	1			

UPPER & LOWER LINK

FIG. 9-12A

G. 896



UPPER & LOWER LINK

A-C38, B-C45

A-C38, B-C45

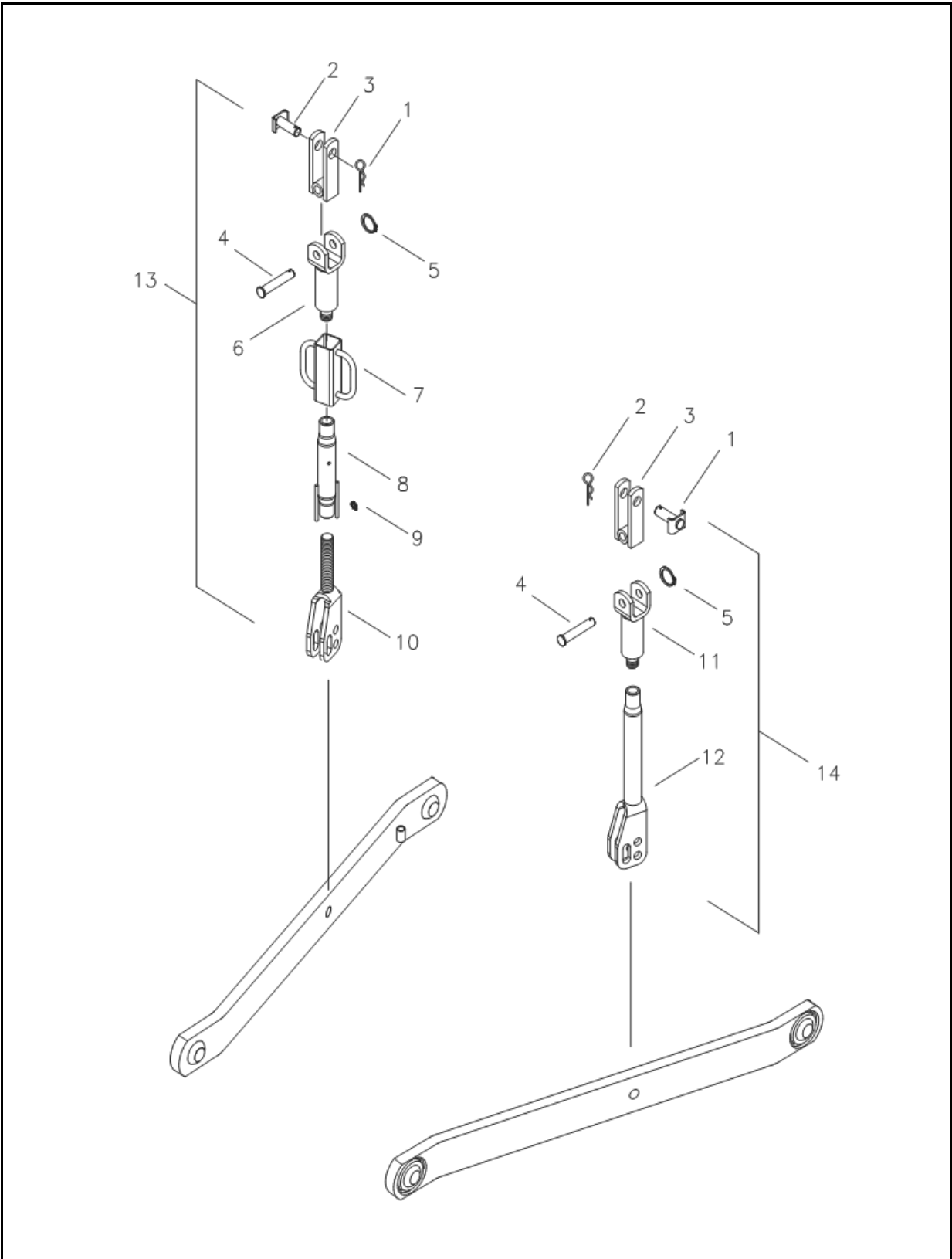
FIG. 9-12A

NO.	PART NO.	PART NAME & DESCRIPTION	QTY			APP. NO	REM.
			A	B	C		
1	A1896320	LOW LINK ASSY	2	2			
2	3A1896081	PIN, LINK	5	5			
3	A1896187	PIN, LOW LINK(LH)	1	1			
4	A1896188	PIN, LOW LINK(RH)	1	1			
5	S361140013	WASHER, SPR	6	6			
6	A1896473	BOLT, HEX	6	6			
7	A1830277	SPACER, GRILL	2	2			
8	A1896519	BRACKET, HOOK	1	1			
9	S159081633	BOLT, HEX	2	2			
10	A1896336	HOOK, UPPER LINK	1	1			
11	A1896189	PIN, UPPER LINK(F)	1	1			
12	3A1970091	PIN, SNAP	1	1			
13~16	3A1896002	UPPER LINK ASSY	1	1			
13	3A1896006	END, UPPER LINK(F)	1	1			
14	3A1970092	NUT, LOCK	1	1			
15	2A1896003	TURN BUCKLE	1	1			
16	3A1896007	END, UPPER LINK(R)	1	1			
17	3A1896013	PIN, UPPER LINK(R)	1	1			

LIFT ROD

FIG. 9-13A

G. 896



LIFT ROD

A-C38, B-C45

A-C38, B-C45

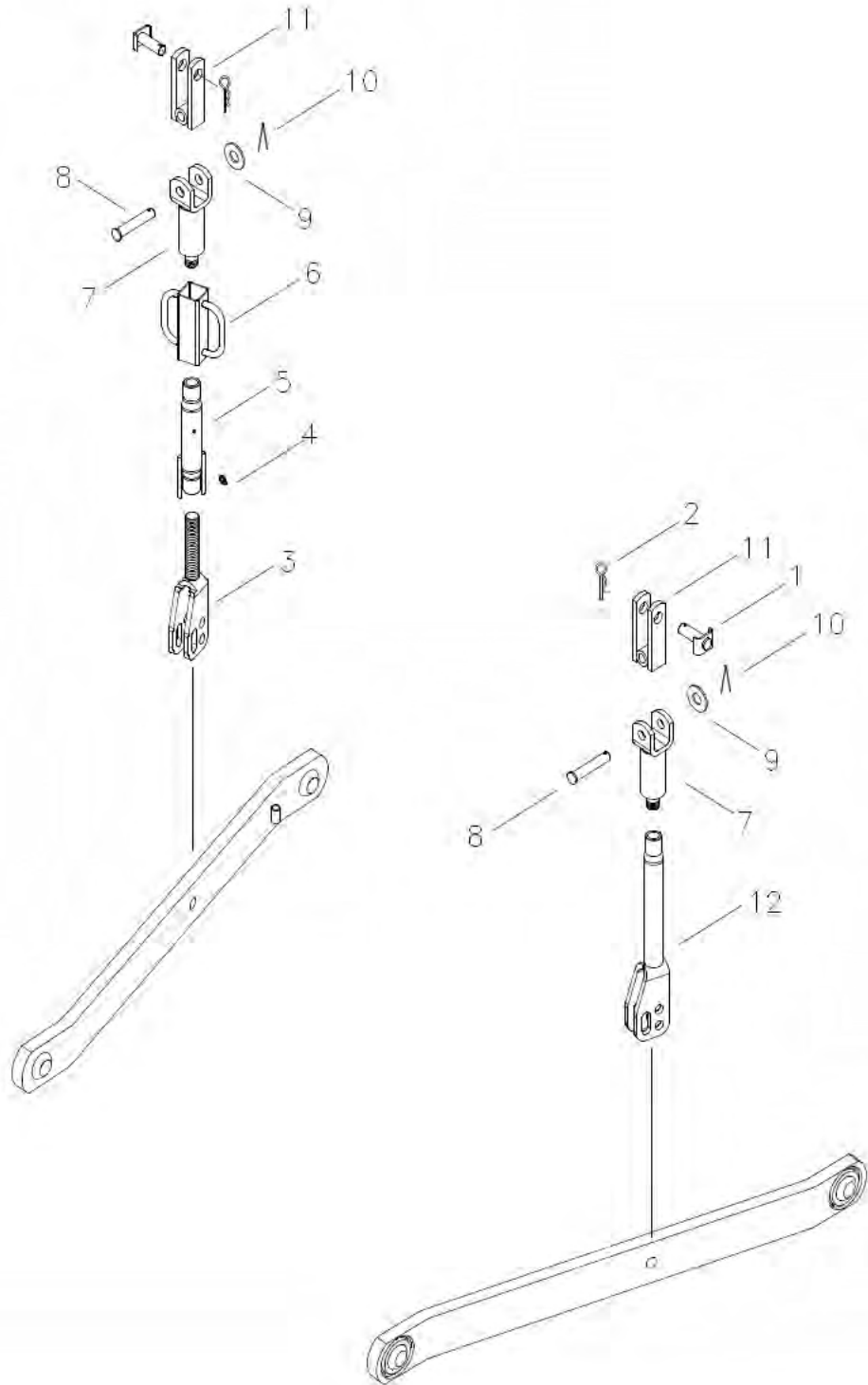
FIG. 9-13A

NO.	PART NO.	PART NAME & DESCRIPTION		QTY			APP. NO	REM.
				A	B	C		
1	A1896530	PIN, LIFT ROD	Φ19	2	2			
2	3A1970091	PIN, SNAP		2	2			
3	A1896087	JOINT, LIFT ROD		2	2			
4	A1896593	PIN, LIFT ROD	Φ16	2	2			
5	S810016003	RING, SNAP		2	2			
6	A1896524	ROD, UPPER LIFT		1	1			
7	A1896527	HANDLE		1	1			
8	A1896526	SLEEVE, LIFT ROD		1	1			
9	A0730009	NIPPLE, GREASE	PT1/8	1	1			
10	A1896525	ROD, LOWER LIFT		1	1			
11	A1896524	ROD, UPPER LIFT		1	1			
12	A1896529	ROD, LOWER LIFT		1	1			
13	A1896523	LIFT ROD ASSY(RH)		1	1			
14	A1896528	LIFT ROD ASSY(LH)		1	1			

LIFT ROD

FIG. 9-13A

G. 896



LIFT ROD

A-C38, B-C45

A-C38, B-C45

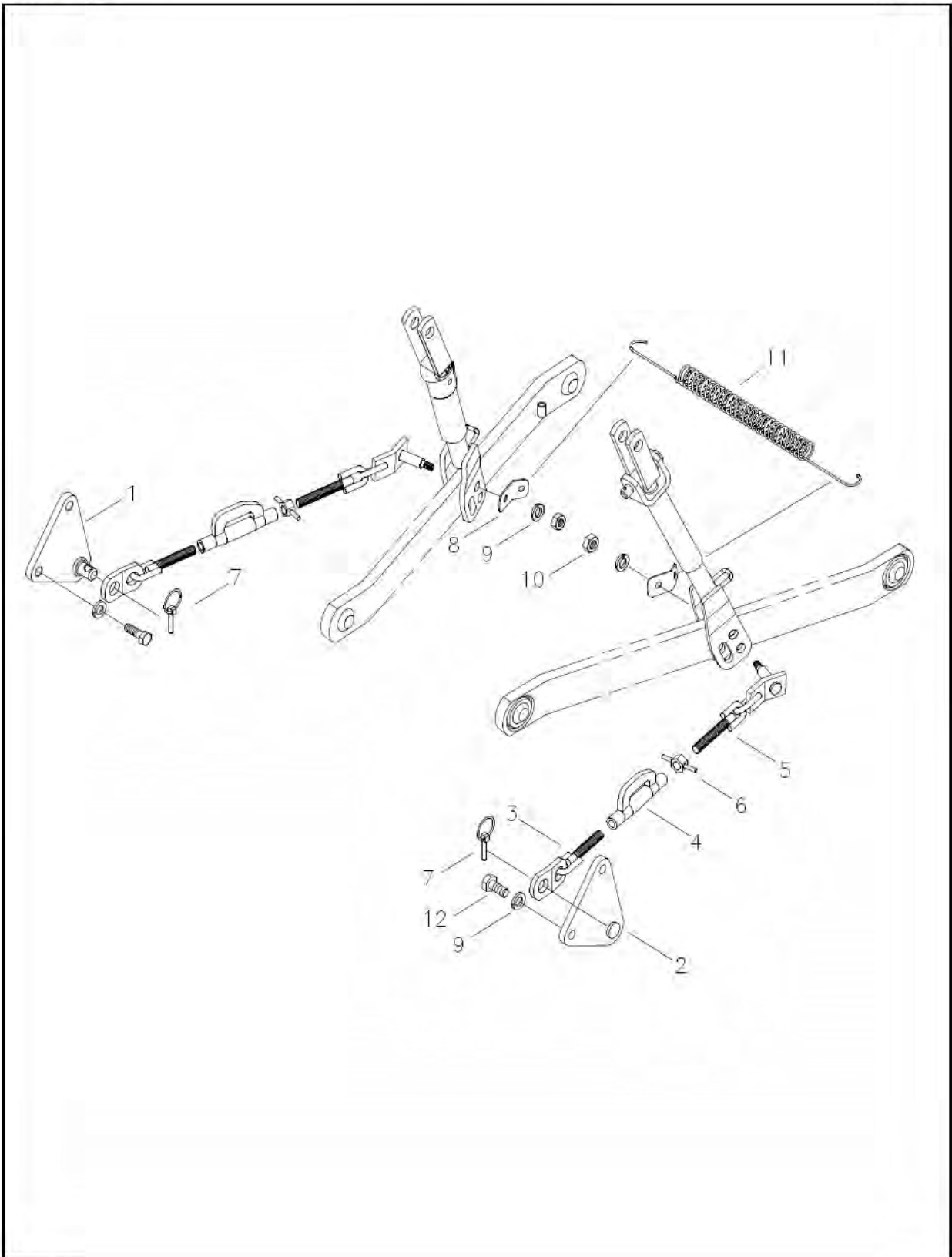
FIG. 9-13A OT

NO.	PART NO.	PART NAME & DESCRIPTION		QTY			APP. NO	REM.
				A	B	C		
1	3A1896058	PIN, LIFT ROD	Φ19	2	2			
2	3A1970091	PIN, SNAP		2	2			
3~11	A1896551	LIFT ROD ASSY(RH)	430-540	1	1			
3	A1896552	ROD, LOWER LIFT		1	1			
4	A0730009	NIPPLE, GREASE	PT1/8	1	1			
5	A1896526	SLEEVE, LIFT ROD		1	1			
6	A1896527	HANDLE		1	1			
7~12	A1896549	LIFT ROD ASSY(LH)		1	1			
7	A1896524	ROD, UPPER LIFT		1	1			
8	A1896090	PIN, LIFT ROD	Φ16	2	2			
9	S363160013	WASHER, PLAIN	OD28xID17×3t	2	2			
10	S441403613	PIN, SPLIT	Φ3.7×36	2	2			
11	A1896087	JOINT, LIFT ROD		2	2			
12	A1896550	ROD, LOWER LIFT		1	1			

CHECK LINK

FIG. 9-14

G. 896



CHECK LINK

A-C38, B-C45

A-C38, B-C45

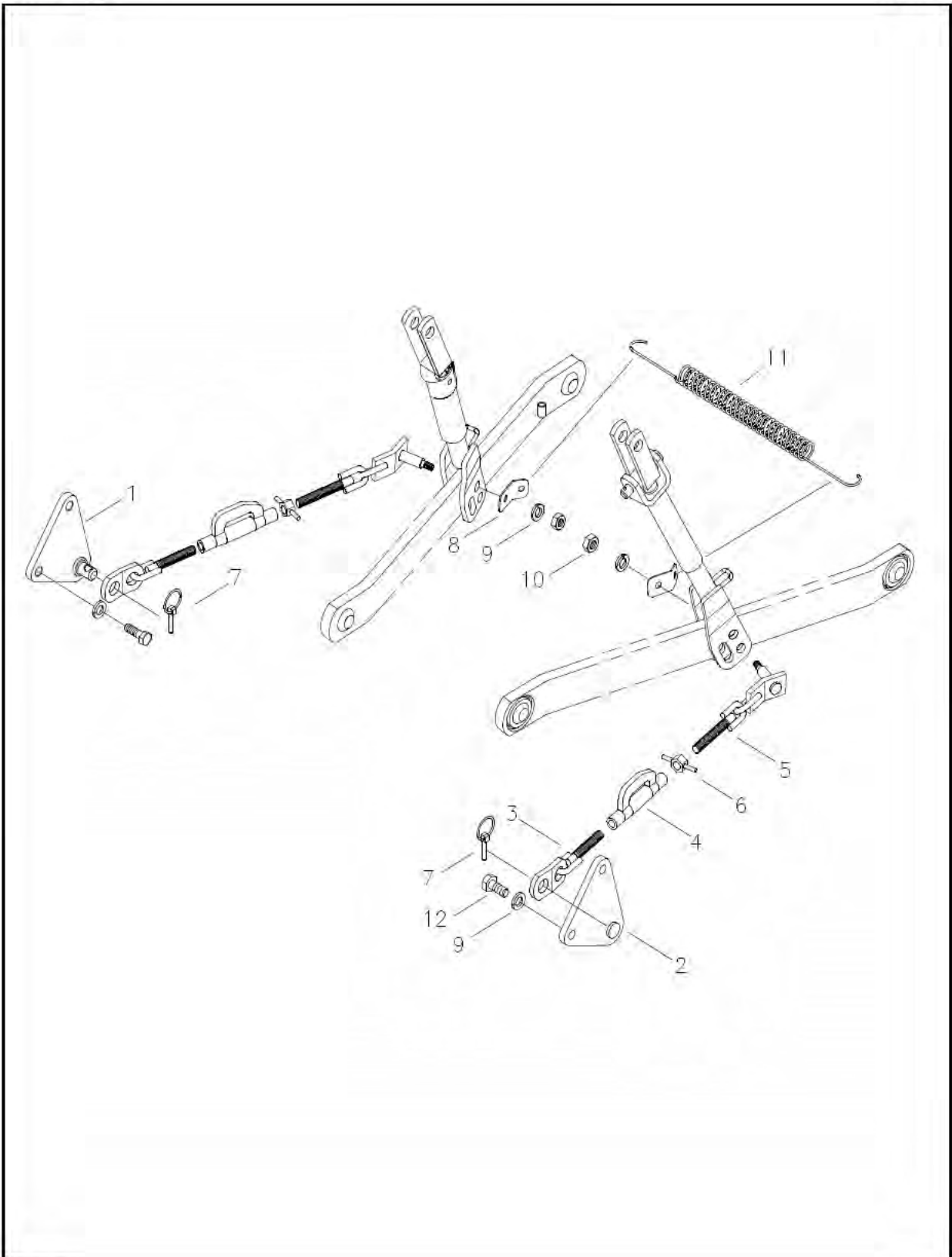
FIG. 9-14

NO.	PART NO.	PART NAME & DESCRIPTION		QTY			APP. NO	REM.
				A	B	C		
1	A1896321	BRACKET, C/CHAIN(R)		1	1			
2	A1896322	BRACKET, C/CHAIN(L)		1	1			
3~6	A1896471	CHECK CHAIN ASSY	343-441	2	2			
3	A1896589	CHAIN(F)		2	2			
4	A1896597	TURN BUCKLE		2	2			
5	A1896536	CHAIN(R)		2	2			
6	S301160013	NUT, LOCK	M16X2.0	2	2			
7	3A1896081	PIN, LINK		2	2			
8	A1896333	BRACKET, SPRING		2	2			
9	S361140013	WASHER, SPRING	φ24.5×φ14.2×3.5t	6	6			
10	S314140013	NUT, HEX	M14×1.25	2	2			
11	A1896539	SPRING, LOWER LINK		1	1			
12	S101143543	BOLT, HEX	M14×2.0x35	4	4			

CHECK LINK

FIG. 9-14

G. 896



CHECK LINK

A-C38, B-C45

A-C38, B-C45

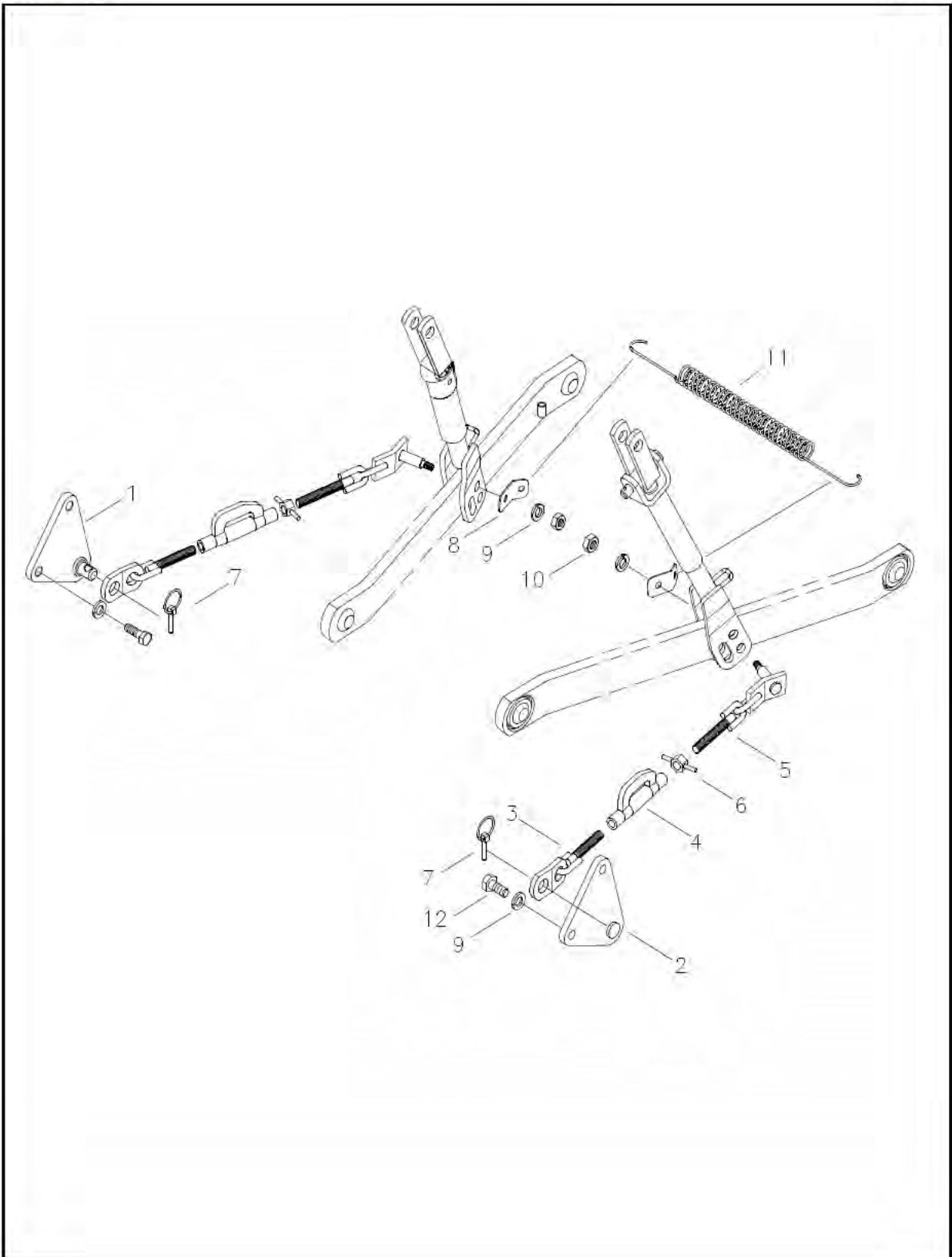
FIG. 9-14

NO.	PART NO.	PART NAME & DESCRIPTION	QTY			APP. NO	REM.
			A	B	C		
1	A1896321	BRACKET, C/CHAIN(R)	1	1			
2	A1896322	BRACKET, C/CHAIN(L)	1	1			
3~6	A1896590	CHECK CHAIN ASSY	2	2			
3	A1896589	CHAIN(F)	2	2			
4	A1896592	TURN BUCKLE	2	2			
5	A1896591	CHAIN(R)	2	2			
6	S301160013	NUT, LOCK	2	2			
7	3A1896081	PIN, LINK	2	2			
8	A1896333	BRACKET, SPRING	2	2			
9	S361140013	WASHER, SPRING	6	6			
10	S314140013	NUT, HEX	2	2			
11	A1896067	SPRING, LOWER LINK	1	1			
12	S101143543	BOLT, HEX	4	4			

CHECK LINK

FIG. 9-14

G. 896



CHECK LINK

A-C38, B-C45

A-C38, B-C45

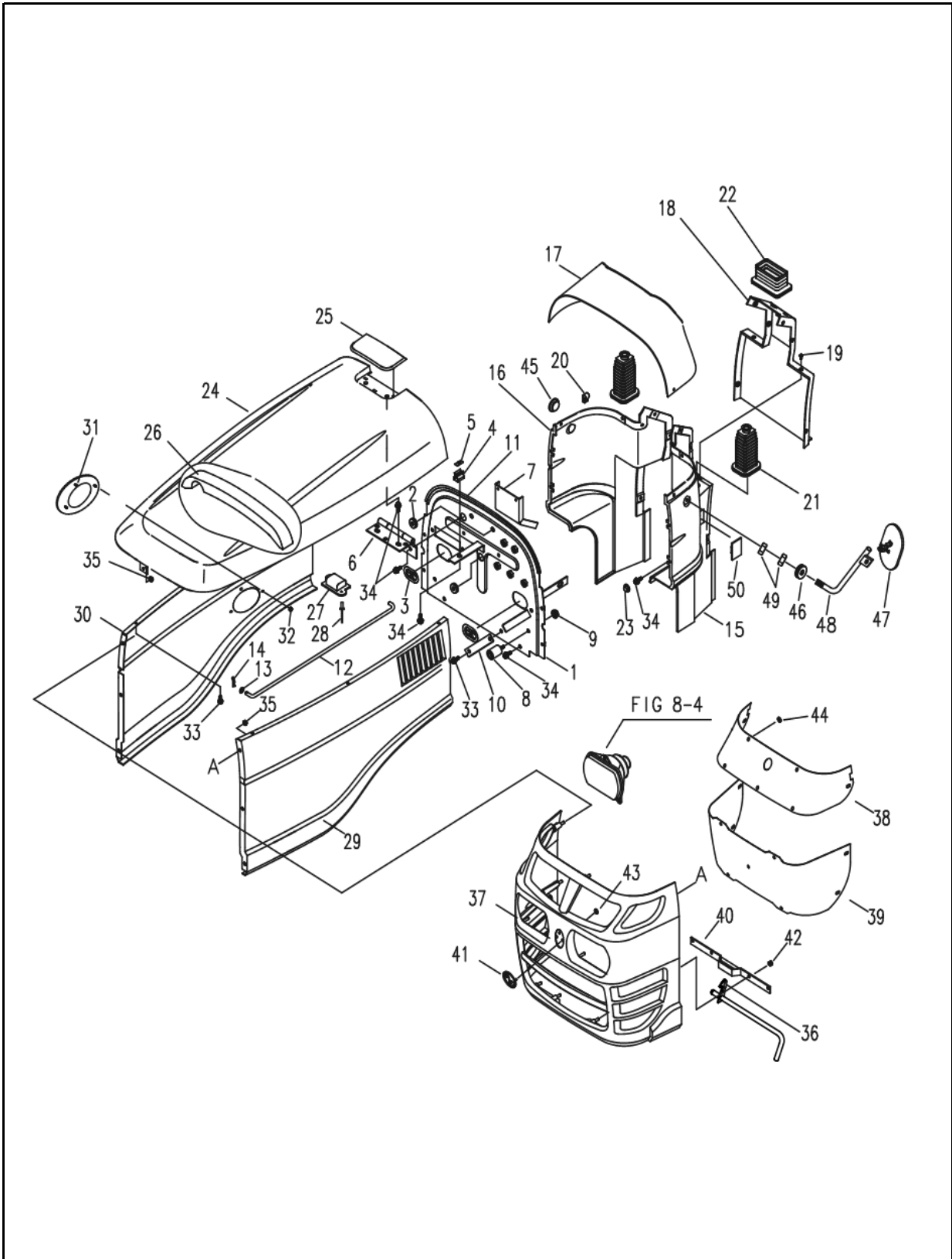
FIG. 9-14

NO.	PART NO.	PART NAME & DESCRIPTION	QTY			APP. NO	REM.
			A	B	C		
1	A1896321	BRACKET, C/CHAIN(R)	1	1			
2	A1896322	BRACKET, C/CHAIN(L)	1	1			
3~6	A1896345	CHECK CHAIN ASSY	2	2			
3	A1896346	CHAIN(F)	2	2			
4	A1896348	TURN BUCKLE	2	2			
5	A1896347	CHAIN(R)	2	2			
6	A1896349	NUT, LOCK	2	2			
7	3A1896081	PIN, LINK	2	2			
8	A1896333	BRACKET, SPRING	2	2			
9	S361140013	WASHER, SPRING	6	6			
10	S314140013	NUT, HEX	2	2			
11	A1896067	SPRING, LOWER LINK	1	1			
12	S101143543	BOLT, HEX	4	4			

HOOD

FIG. 10-1D

G. 830



HOOD

A-C38, B-C45

A-C38, B-C45

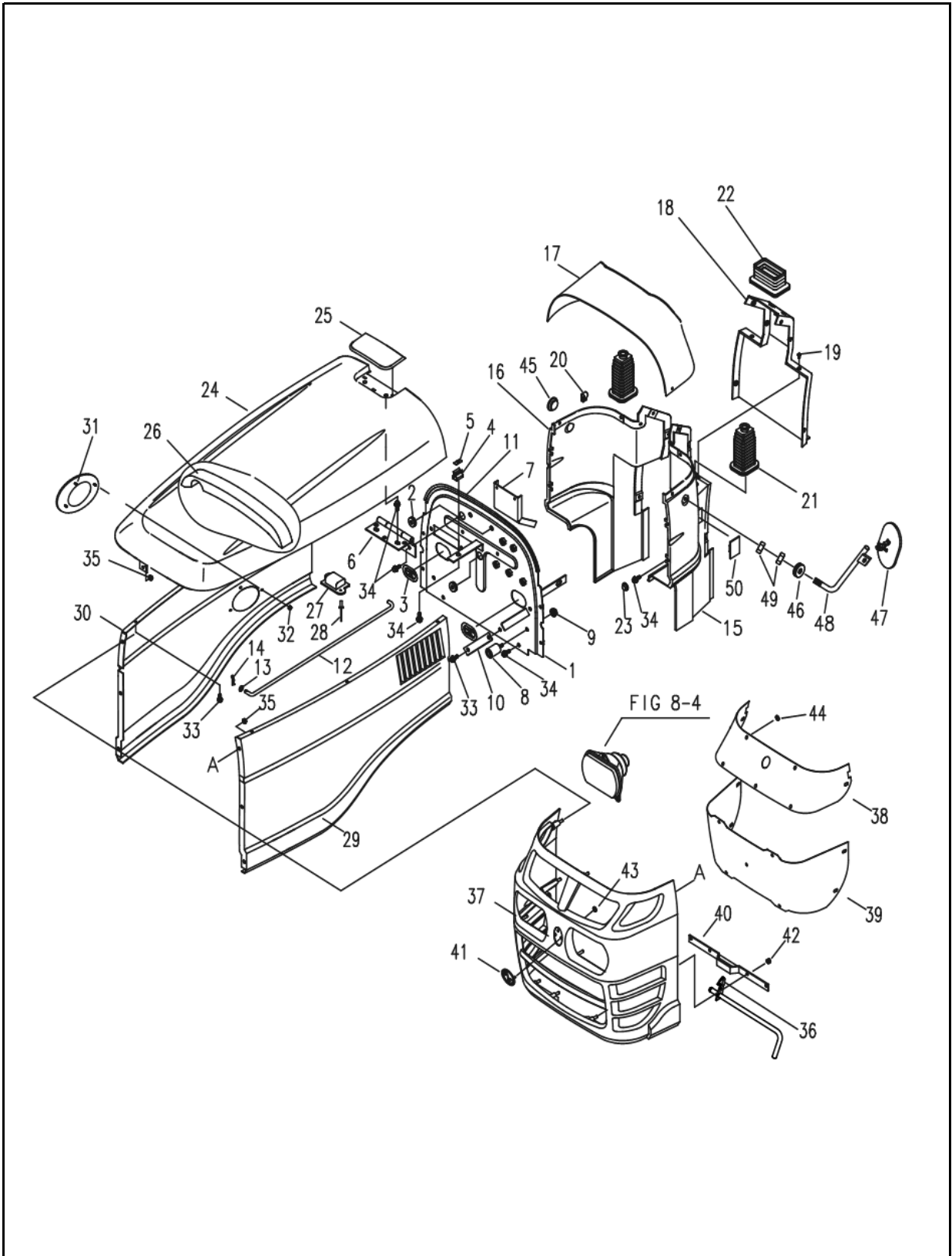
FIG. 10-1D AG

NO.	PART NO.	PART NAME & DESCRIPTION	QTY			APP. NO	REM.
			A	B	C		
1	A1830306	PLATE, HEAT INTERCEPT	1	1			
2	A1830166	GROMMET	2	2			
3	A1970210	GROMMET	2	2			
4	A0690218	SPRING	1	1			
5	A7200107	BRACKET, SPRING	1	1			
6	A1830258	HINGE	1	1			
7	A1830260	BRACKET, HINGE	1	1			
8	A1830288	STOPPER, RUBBER	2	2			
9	S345080013	NUT, FLANGE	2	2			
10	A1830307	COVER	1	1			
11	A1970269	WEATHER STRIP	1	1			
12	A1830284	ROD, UPPER COVER	1	1			
13	S363080013	WASHER, PLN.	1	1			
14	S443080013	PN, SNAP.	1	1			
15	A1830584	PANEL, BODY(LH)	1	1			
16	A1830585	PANEL, BODY(RH)	1	1			
17	A1830220	PANEL, BODY(UPPER)	1	1			
18	A1830328	PANEL, BADCY(REAR)	1	1			
19	A1830417	SCREW,TP.CRS,CSNK.	12	12			
20	A1970279	PLATE, LOCK	12	12			
21	A1830240	COVER, DUST LEVER	2	2			
22	A1830252	COVER, STEERING	1	1			
23	A1830283	CAP, BOLT	4	4			
24	A1830605	HOOD, BONNET	1	1			
25	A1830257	COVER, HINGE	1	1			
26	A1830308	SEAL, RADIATOR AIR	1	1			
27	A1830286	STOPPER,HOOD SUPPORT	1	1			
28	S466321010	RIVET, BLIND	2	2			
29	A1830596	COVER, SIDE(LH)	1	1			
30	A1830597	COVER, SIDE(RH)	1	*			
31	A1830305	COVER, EXHAUST	1	1			
32	S345050013	NUT, FLANGE	3	3			
33	S159061633	BOLT	8	8			
34	S159082033	BOLT	12	12			
35	S345060013	NUT, FLANGE	9	9			
36	A1970304	BAND, RUBBER	1	1			
37~47	A1830602	GRILLE ASSY	1	1			
37	A1830603	GRILLE	1	1			
38	A1830407	NET, GRILLE(UPPER)	1	1			
39	A1830408	NET, GRILLE(LOWER)	1	1			
40	A1830421	HANGER	1	1			
41	A5002129	MARK, SYMBOL	1	1			
42	A1970309	NUT, LOCK	4	4			
43	A0760137	NUT, SPEED	2	2			
44	A1970340	NUT, SPEED	16	16			

HOOD

FIG. 10-1D

G. 830



HOOD

A-C38, B-C45

A-C38, B-C45

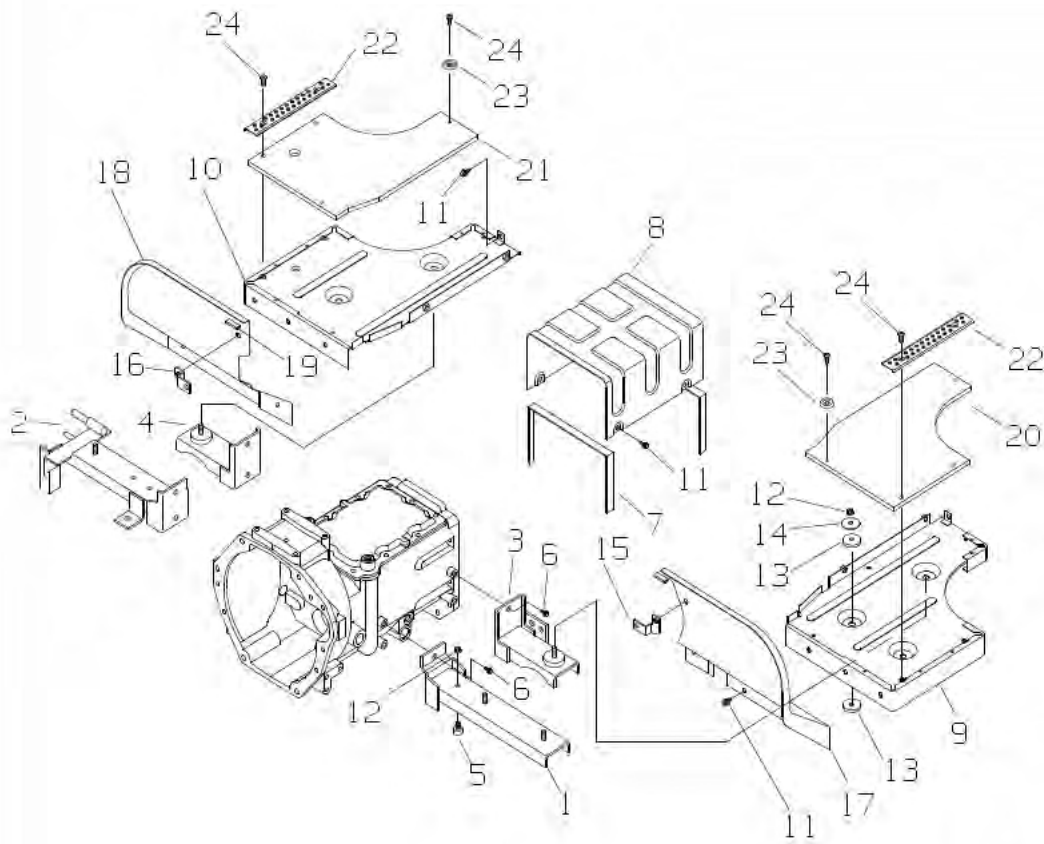
FIG. 10-1D AG

NO.	PART NO.	PART NAME & DESCRIPTION	QTY			APP. NO	REM.
			A	B	C		
45	A1970303	CAP, RUBBER	1	1			
46	A1830166	GROMMET	1	1			
47	2A1909001	MIRROR, REAR VIEW	1	1			
48	A1830285	STAY, BACK MIRROR	1	1			
49	S346100013	NUT, FLANGE	2	2			
		M10x1.25					
50	A1830357	CAP, EM. SWITCH HOLE	1	1			

STEP

FIG. 10-2C

G. 840



STEP

A-C38, B-C45

A-C38, B-C45

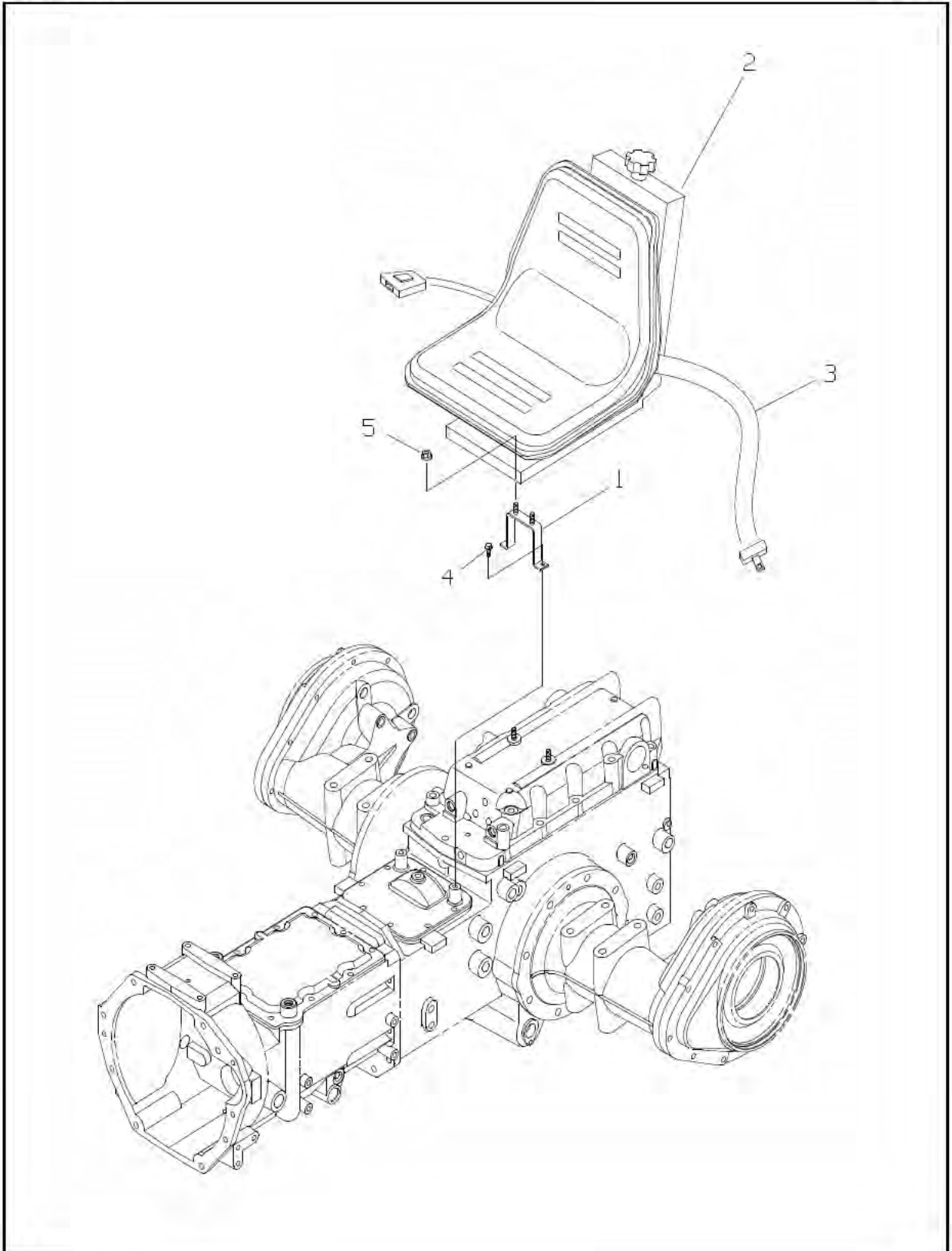
FIG. 10-2C AG

NO.	PART NO.	PART NAME & DESCRIPTION	QTY			APP. NO	REM.
			A	B	C		
1	A1840067	BRACKET, STEP FRONT(LH)	1	1			
2	A1840068	BRACKET, STEP FRONT(RH)	1	1			
3	A1840069	BRACKET, STEP REAR(LH)	1	1			
4	A1840081	BRACKET, STEP REAR(RH)	1	1			
5	A3260012	RUBBER	3	3			
6	S154102033	BOLT, HEX. W/WASHER	M10x1.25x20L	8	8		
7	A1840076	SPONGE		2	2		
8	A1840263	COVER, T/M CASE	GREEN	1	1		
9	A1840261	STEP(LH)	GREEN	1	1		
10	A1840262	STEP(RH)	GREEN	1	1		
11	S159082033	BOLT, HEX. W/WASHER	M8x1.25x20L	12	12		
12	S345080013	NUT, FLANGE B-TY	M8x1.25	8	8		
13	A1840074	RUBBER, CUSHION		10	10		
14	A1840073	WASHER, STEP		5	5		
15	A1840097	BRACKET, COVER(LH)		1	1		
16	A1840098	BRACKET, COVER(RH)		1	1		
17	A1840264	COVER(LH)	GREEN	1	1		
18	A1840265	COVER(RH)	GREEN	1	1		
19	A1970346	WEATHER STRIP		2	2		
20	A1840070	MAT, STEP(LH)		1	1		
21	A1840071	MAT, STEP(RH)		1	1		
22	A1840072	BRACKET, MAT SIDE		2	2		
23	A1840082	WASHER, MAT		4	4		
24	S220802511	SCREW, CROSS CSNK.	M8x1.25x25L	8	8		

SEAT

FIG. 10-4D

G. 850



SEAT

A-C38, B-C45

A-C38, B-C45

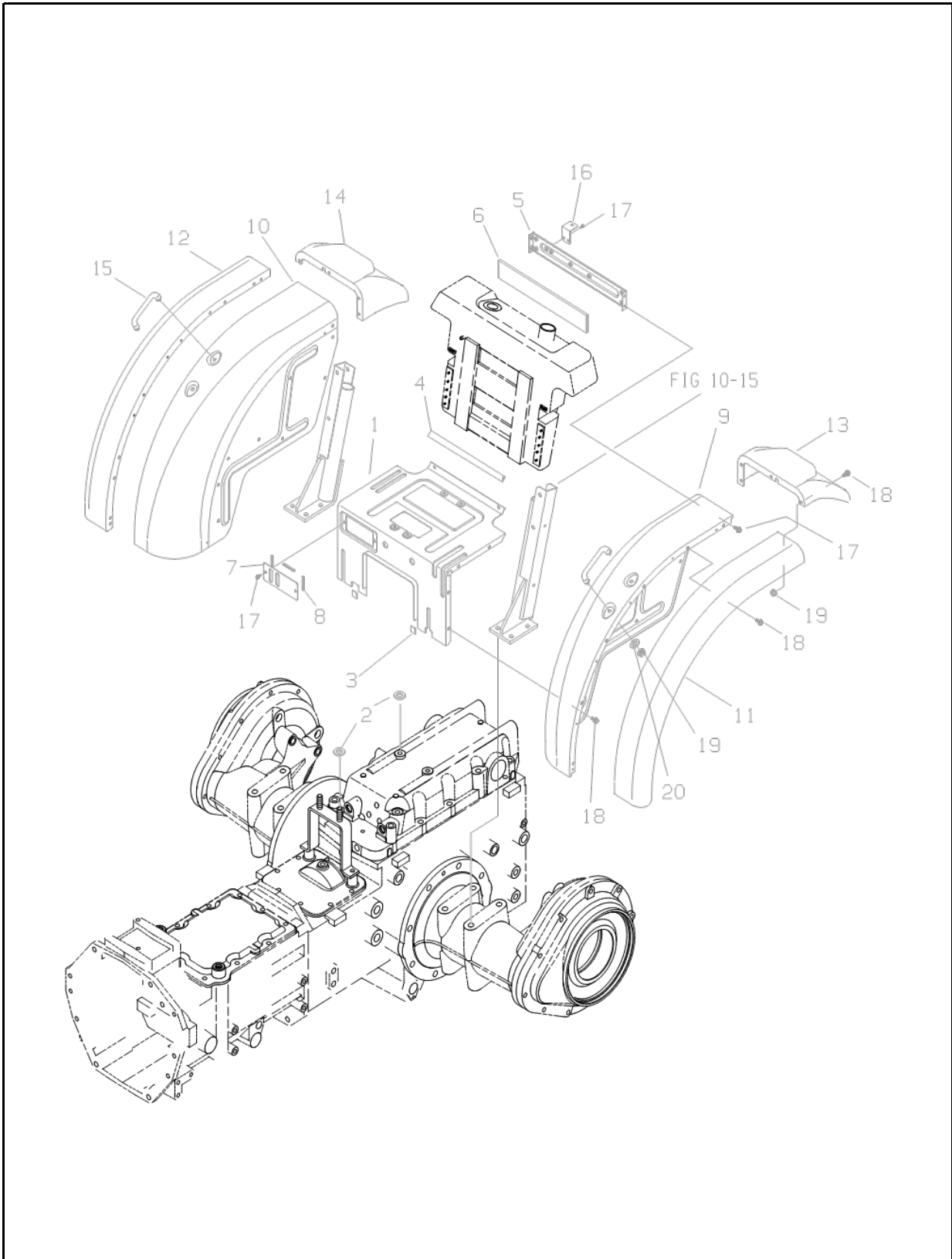
FIG. 10-4D EX, AG, VA, TK PT, TF

NO.	PART NO.	PART NAME & DESCRIPTION	QTY			APP. NO	REM.
			A	B	C		
1	A1850078	BRACKET, SEAT	1	1			
2~3	A1850221	SEAT ASY, W/SEAT BELT	1	1			
2	A1850225	SEAT ASSY	1	1			
3	A1850226	SEAT BELT ASSY	1	1			
4	S156102533	BOLT. HEX. W/WASHER	M10x1.25x25L	2	2		
5	S346100013	NUT, FLANGE B-TY	M10x1.25	4	4		

FENDER

FIG. 10-14D

G. 870



FENDER

A-C38, B-C45

A-C38, B-C45

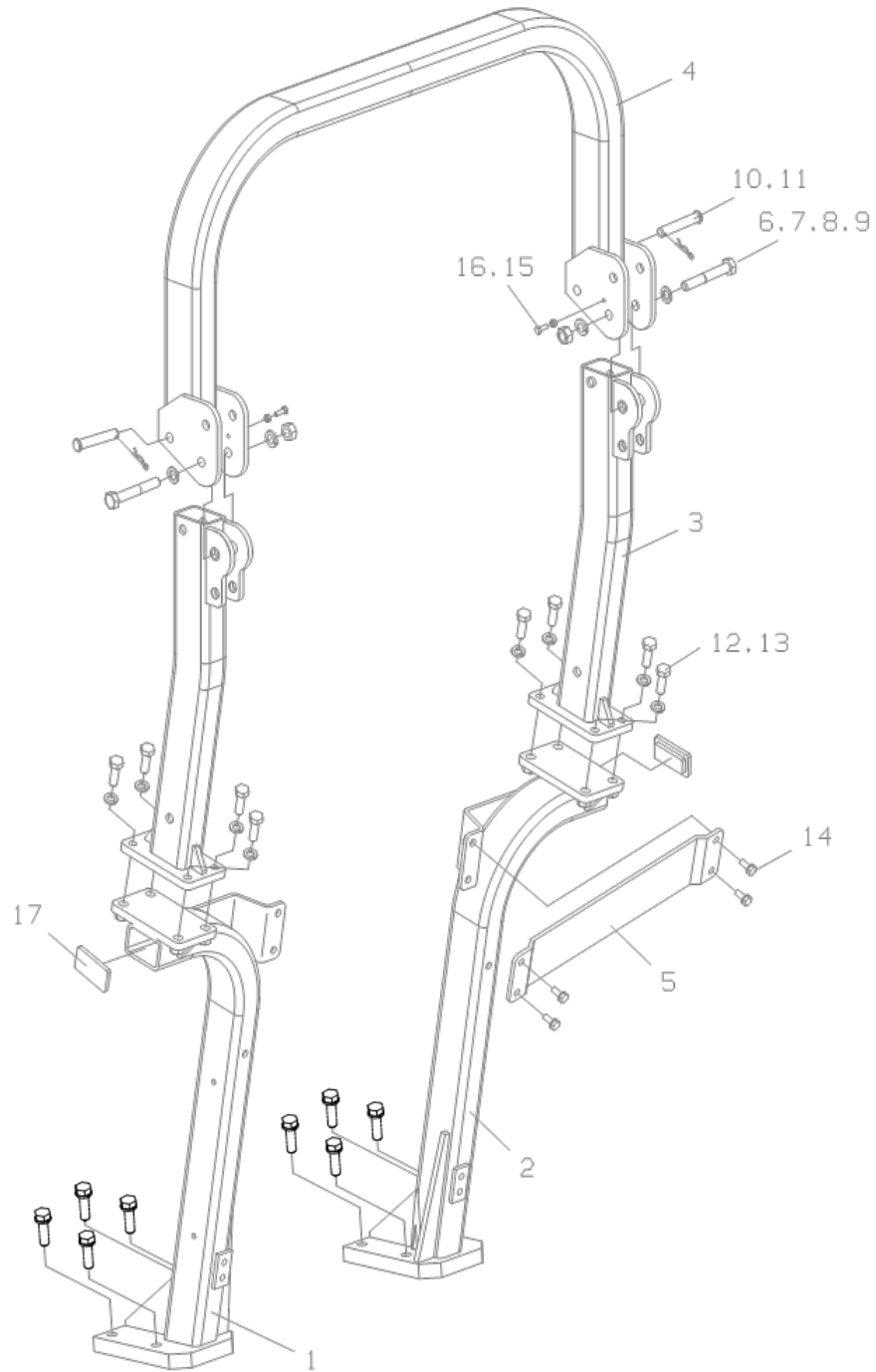
FIG. 10-14D AG

NO.	PART NO.	PART NAME & DESCRIPTION	QTY			APP. NO	REM.
			A	B	C		
1	A1870421	COVER, CENTER	GREEN	1	1		
2	A1840074	RUBBER, CUSHION		4	4		
3	A1870237	SPONGE		2	2		
4	A1970347	WEATHER STRIP		1	1		
5	A1870374	COVER, REAR		1	1		
6	A1870233	SPONGE		1	1		
7	A1870444	COVER ASSY W/STOPPER	GREEN	1	1		
8	A1870234	SPONGE		4	4		
9	A1870418	FENDER(LH)	GREEN	1	1		
10	A1870419	FENDER(RH)	GREEN	1	1		
11	A1870211	EXTENTION, FENDER(LH)		1	1		
12	A1870212	EXTENTION, FENDER(RH)		1	1		
13	A1870213	EXTENTION, REAR(LH)		1	1		
14	A1870214	EXTENTION, REAR(RH)		1	1		
15	3A1870006	RAIL, HAND		2	2		
16	A1870375	BRACKET, WORKING LIGHT		1	1		
17	S159081633	BOLT	M8x1.25x16L	10	10		
18	S159082033	BOLT	M8x1.25x20L	30	30		
19	S345080013	NUT, FLANGE	M8x1.25	6	6		
20	S365082613	WASHER, PLN.	D26/8.4x2.5T	4	4		

SAFETY FRAME

FIG. 10-15D

G. 880



SAFETY FRAME

A-C38, B-C45

A-C38, B-C45

FIG. 10-15D AG, VA, MY

NO.	PART NO.	PART NAME & DESCRIPTION	QTY			APP. NO	REM.
			A	B	C		
1	A1880098	PILLAR LOWER, REAR ROPS LH	1	1			
2	A1880099	PILLAR LOWER, REAR ROPS RH	1	1			
3	A1880100	PILLAR MID, REAR ROPS	2	2			
4	A1880101	BEAM UPPER, REAR ROPS	1	1			
5	A1880102	PLATE, CONNECTOR	1	1			
6	S101149043	BOLT, HEX	M14X2.0X90L	2	2		
7	S301140043	NUT, HEX	M14X2.0	2	2		
8	S361140013	WASHER, SPR	D24.5Xd14.2X3.5t	2	2		
9		WASHER, SPR	D24Xd15X2.5t	2	2		
10	S427148023	PIN	Φ14X80L	2	2		
11	S443140013	PIN, SNAP	Φ14X40.6L	2	2		
12	S105124553	BOLT, HEX	M12X1.75X45L	8	8		
13	S361120013	WASHER, SPR	D21.5Xd12.2X3t	8	8		
14	S159082533	BOLT, HEX. W/WASHER	M8X1.25X25L	4	4		
15	S163062043	BOLT, HEX	M6X1.0X20L	2	2		
16	S301060043	NUT, HEX	M6X1.0	2	2		
17	A1880103	COVER, RUBBER		2	2		

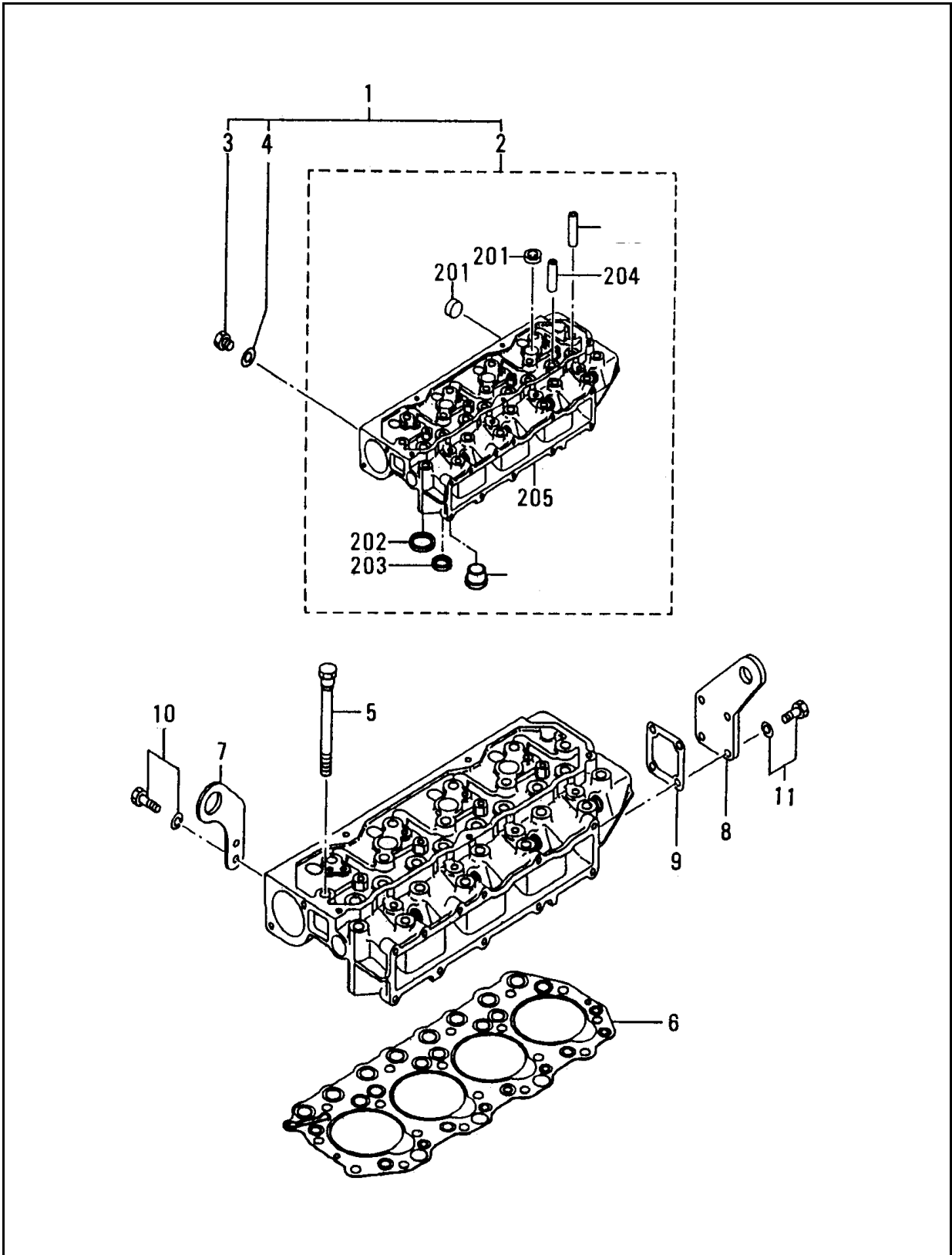
엔진 부품

ENGINE PART

실린더 헤드 / CYLINDER HEAD -----	FIG. 01
밸브 메커니즘 / VALVE MECHANISM -----	FIG. 04-01
록커 커버 & 캠 샤프트 / ROCKER COVER & CAMSHAFT -----	FIG. 04-02
크랭크 케이스(1) / CRANKCASE (PART-1) -----	FIG. 07-01
크랭크 케이스(2) / CRANKCASE (PART-2) -----	FIG. 07-02
타이밍 기어 케이스 & 타이밍 기어 / TIMING GEAR CASE & TIMING GEAR -----	FIG. 11
오일팬 & 오일 레벨 게이지 / OIL PAN & OIL LEVEL GAUGE -----	FIG. 13
메인 무빙 파트 / MAIN MOVING PARTS -----	FIG. 17
사이드 PTO / SIDE POWER TAKE-OFF -----	FIG. 25
바란서 / BALANCER -----	FIG. 29
흡기 매니폴드 / INLET MANIFOLD -----	FIG. 30
오일 시스템 / OIL SYSTEM -----	FIG. 36
냉각 시스템 / COOLING SYSTEM -----	FIG. 46
연료 시스템 / FUEL SYSTEM -----	FIG. 61-01
노즐 / NOZZLE -----	FIG. 61-02
연료 필터 / FUEL FILTER -----	FIG. 62
전장 파트 / ELECTRIC PARTS -----	FIG. 66-01
스타터 / STARTER (12V-2.2KW) -----	FIG. 66-02
발전기 / ALTERNATOR(12V-50A) -----	FIG. 68
액세서리 / ACCESSORY -----	FIG. 92
가스켓 키트 / OVERHAUL GASKET KIT -----	FIG. 94

CYLINDER HEAD

FIG. 01



CYLINDER HEAD

A-LT380D, B-C45

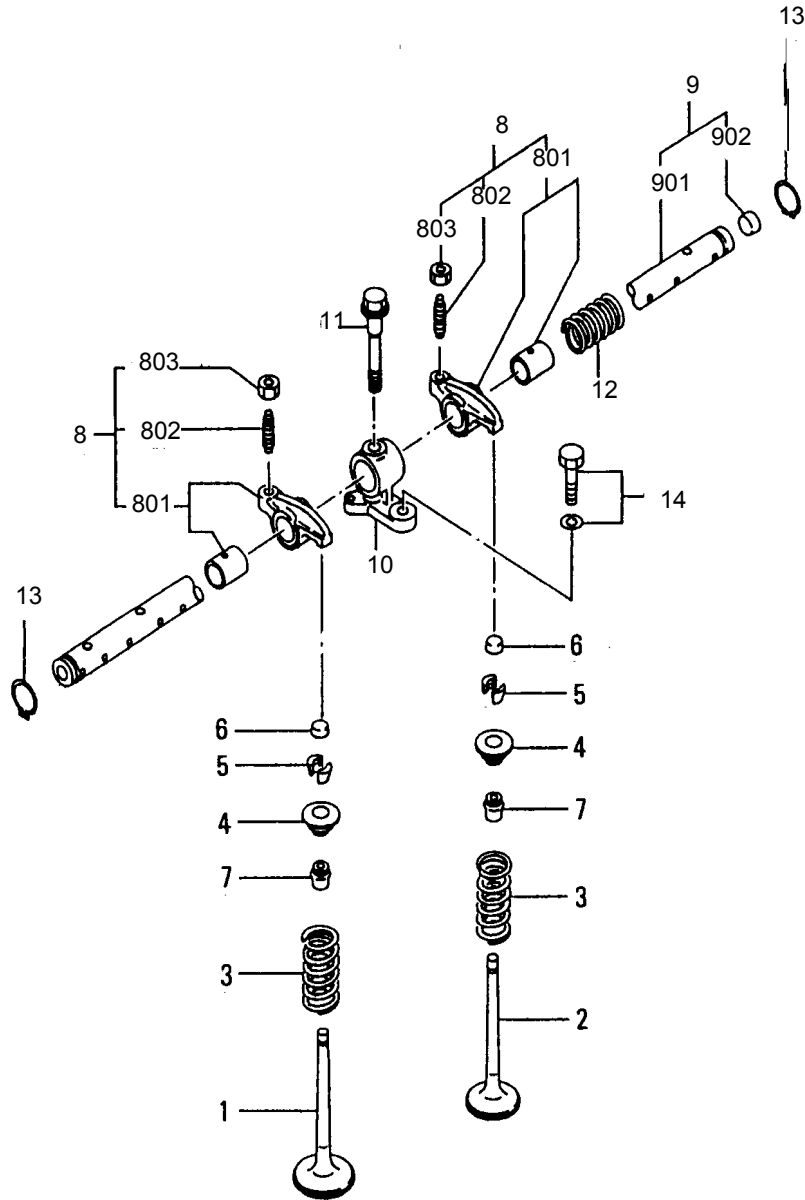
A-LT380D, B-LT450D

FIG. 01

NO.	PART NO.	PART NAME & DESCRIPTION	QTY		APP. NO	REM.
			A	B		
1	*	HEAD ASSY, CYL	1	*		
2	*	HEAD ASSY, CYL	*	1		
3	Q1160042	HEAD SUB ASSY, CYL.	1	*		
4	Q1160043	HEAD SUB ASSY, CYL.	*	1		
5	Q0710019	CAP, SEALING	7	7		
6	Q1160028	INSERT, IN.	4	4		
7	Q1160029	INSERT, IN.	4	4		
8	Q1160004	GUIDE, VALVE	4	4		M5x0.8
9	Q1160009	GUIDE, VALVE	4	4		M6x1.0x12L
10	Q1160032	HEAD, CYLINDER	1	*		
11	Q1160033	HEAD, CYLINDER	*	1		
12	Q1160036	JET, COMBUSTION	4	*		
13	Q1160024	JET, COMBUSTION	*	4		
14	A0610088	PLUG, DRAIN	1	1		
15	Q1160011	GASKET	1	1		
16	Q1160012	BOLT, CYL. HEAD	18	18		
17	Q1160013	GASKET	1	1		
18	Q1160014	EYE, LIFTING FR.	1	1		
19	Q1160015	EYE, LIFTING RE.	1	1		
20	Q1160016	GASKET	1	1		
21	S153081633	BOLT, W/WASHER	2	2		
22	S153082033	BOLT, W/WASHER	4	4		

VALVE MECHANISM

FIG. 04-01



VALVE MECHANISM

A-LT380D, B-C45

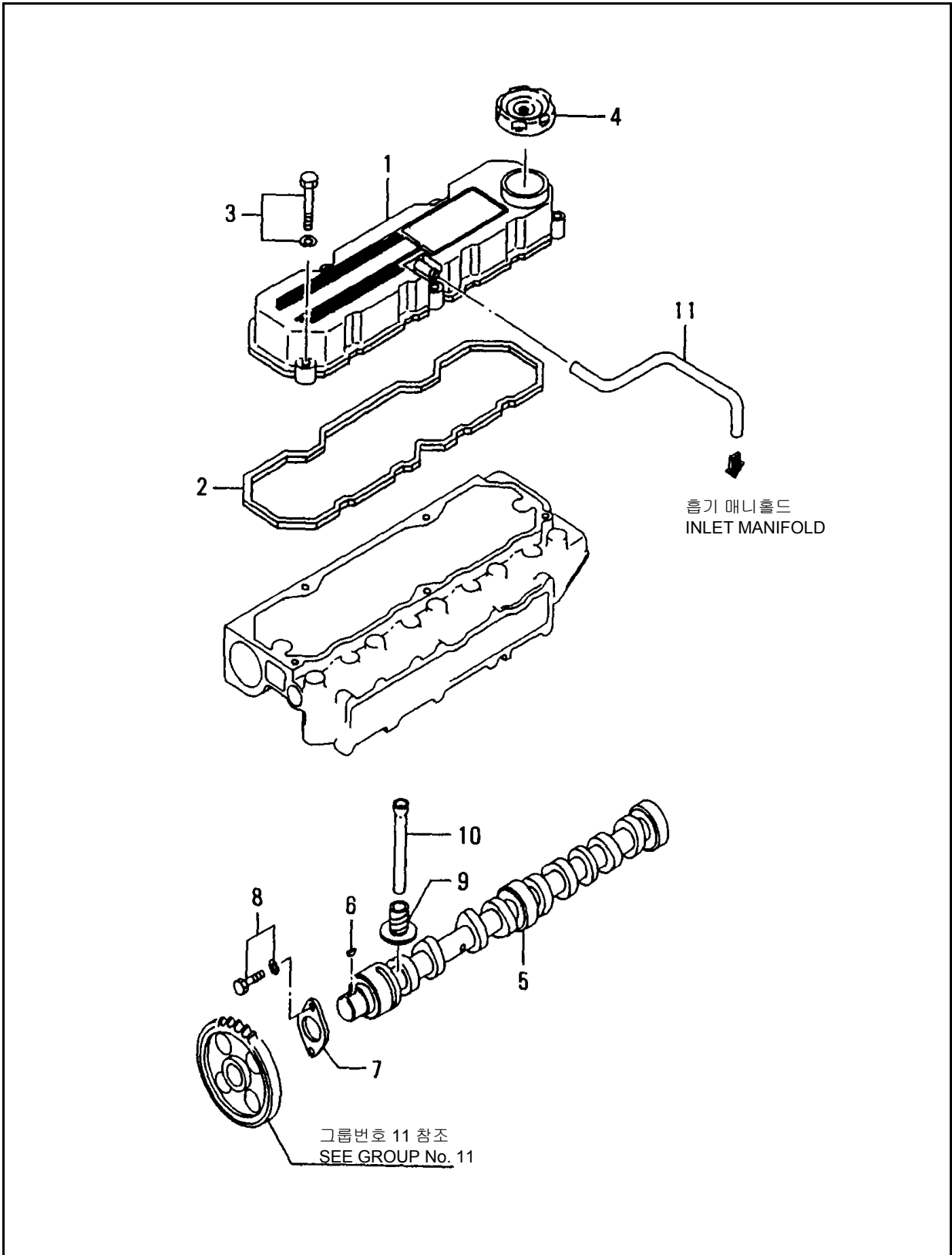
A-LT380D, B-LT450D

FIG. 04-01

NO.	PART NO.	PART NAME & DESCRIPTION	QTY		APP. NO	REM.
			A	B		
1	Q1210001	ROCKER & SHAFT ASSY	1	1		
2	Q1210012	VALVE, IN.	4	4		
3	Q1210013	VALVE, EXH.	4	4		
4	Q1210014	SPRING	8	8		
5	Q1210016	RETAINER	8	8		
6	Q1210017	COTTER, VALVE	16	16		
7	Q1210018	CAP	8	8		
8	Q1210015	SEAL, VALVE STEM	8	8		
9	Q1210008	ROCKER & BUSHING	8	8		
10	Q1210009	SCREW, ADJUSTING	8	8		
11	S315080043	NUT	8	8		
12	Q1210002	SHAFT ASSY, ROCKER	1	1		
13	Q1210006	SHAFT, ROCKER	1	1		
14	Q1210007	PLUG	2	2		
15	Q1210004	BRACKET, ROCKER	4	4		
16	Q1210019	BOLT	4	4		
17	Q1210005	SPRING, ROCKER	3	3		
18	S810019001	RING, SNAP	2	2		
19	S153082533	BOLT, W/WASHER	4	4		

ROCKER COVER & CAMSHAFT

FIG. 04-02



ROCKER COVER & CAMSHAFT

A-LT380D, B-C45

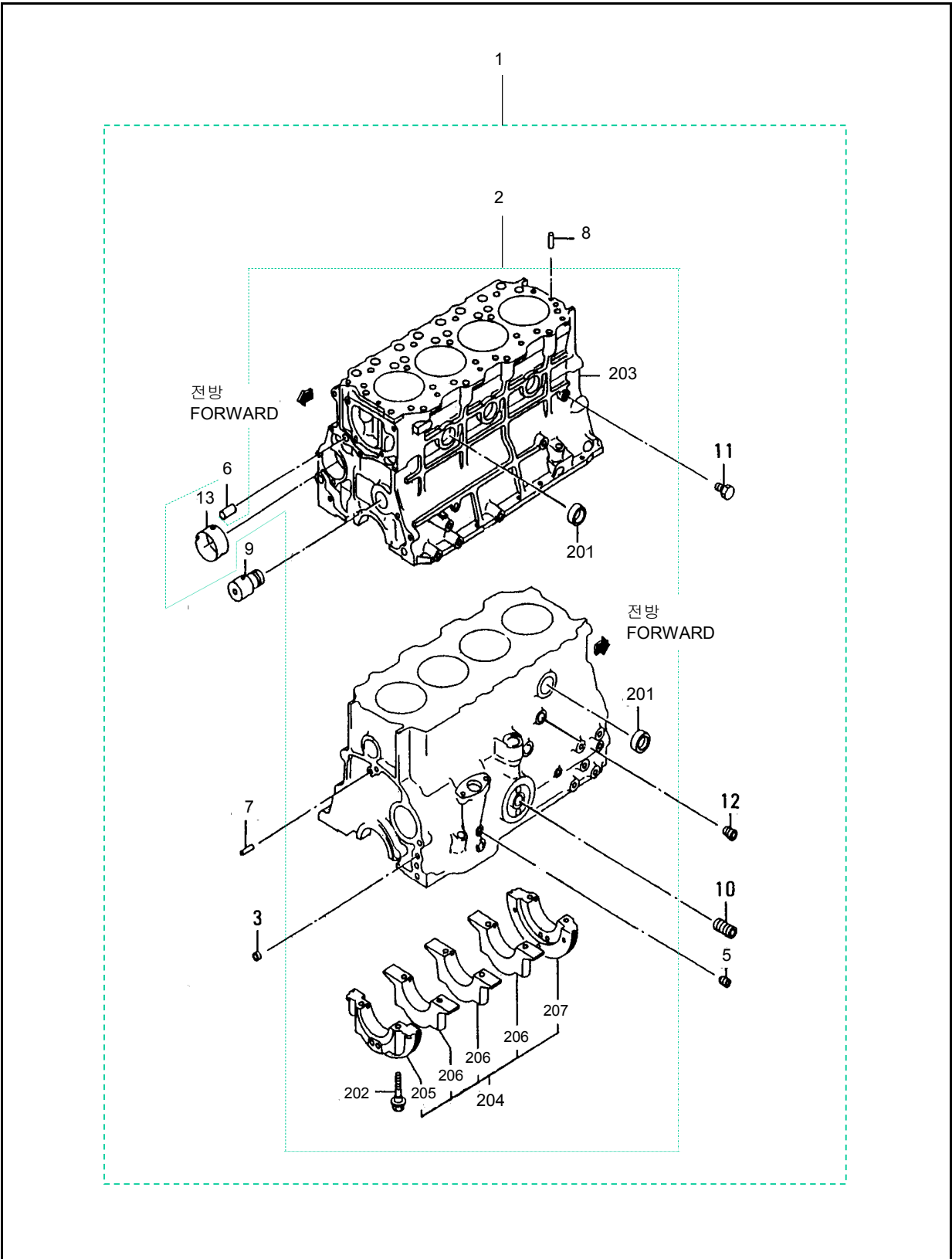
A-LT380D, B-LT450D

FIG. 04-02

NO.	PART NO.	PART NAME & DESCRIPTION	QTY		APP. NO	REM.
			A	B		
1	Q1150001	COVER ASSY, ROCKER	1	1		
2	Q1150004	GASKET, ROCKER	1	1		
3	S153084033	BOLT, W/WASHER	5	5		
4	Q1150005	CAP, OIL	1	1		
5	Q1220001	CAMSHAFT	1	1		
6	Q0630001	KEY, WOODRUFF	1	1		
7	Q1220002	PLATE, THRUST	1	1		
8	S153081633	BOLT, W/WASHER	2	2		
9	Q1220003	TAPPET	8	8		
10	Q1220004	ROD, PUSH	8	8		
11	Q1150006	HOSE, AIR	1	1		

CRANKCASE ASSY

FIG. 07-01



CRANKCASE ASSY

A-LT380D, B-C45

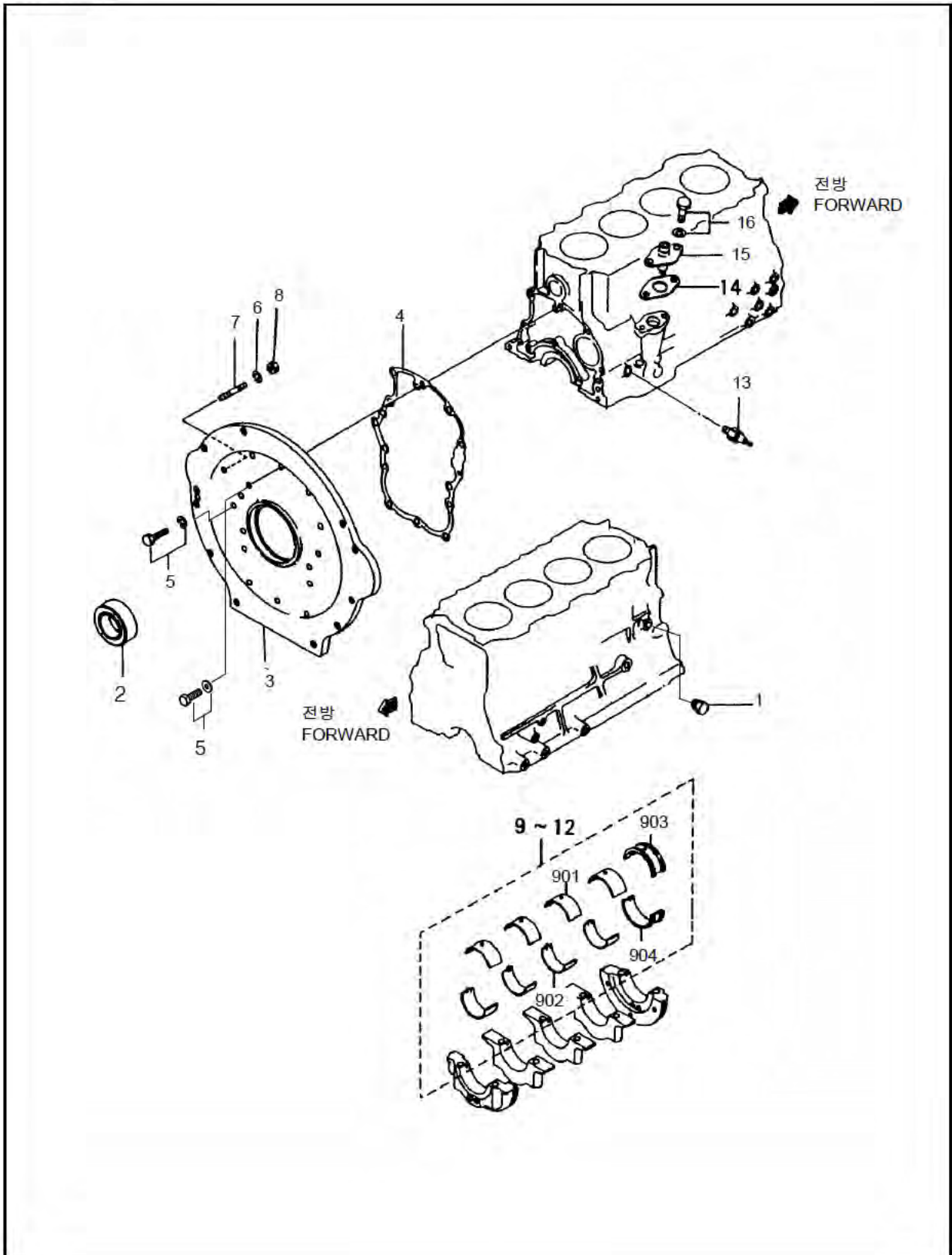
A-LT380D, B-LT450D

FIG. 07-01

NO.	PART NO.	PART NAME & DESCRIPTION	QTY		APP. NO	REM.
			A	B		
1	*	CRANKCASE ASSY	1	1		
2	Q1100052	CRANKCASE SUB ASSY	1	1		
01	Q0710020	CAP, SEALING	6	6		
02	Q1100021	BOLT, BEARING CAP	10	10		
03	*	CRANKCASE	1	1		
04	Q1100015	BEARING ASSY, CAP	1	1		
05	*	CAP, BEARING	1	1		
06	*	CAP, BEARING	3	3		
07	*	CAP, BEARING	1	1		
3	Q0710004	CAP, SEALING	3	3		
4	*	PLUG, RUBBER	*	*		
5	A0610167	PLUG, TAPER	4	4		
6	Q1100023	PIN, DOWEL	2	2		
7	Q0620002	PIN, DOWEL	4	4		
	Q0620002	PIN, DOWEL	2	2		
8	Q0620001	PIN, DOWEL	2	2		
9	Q1100024	SHAFT, IDLER	1	1		
10	Q1400009	SHAFT, OIL FILTER	1	1		
11	*	PLUG, TAPER	1	1		
12	A0610169	PLUG, TAPER	2	2		
13	Q1100022	BUSHING CAMSHAFT, FR	1	1		

CRANKCASE ASSY

FIG. 07-02



CRANKCASE ASSY

A-LT380D, B-C45

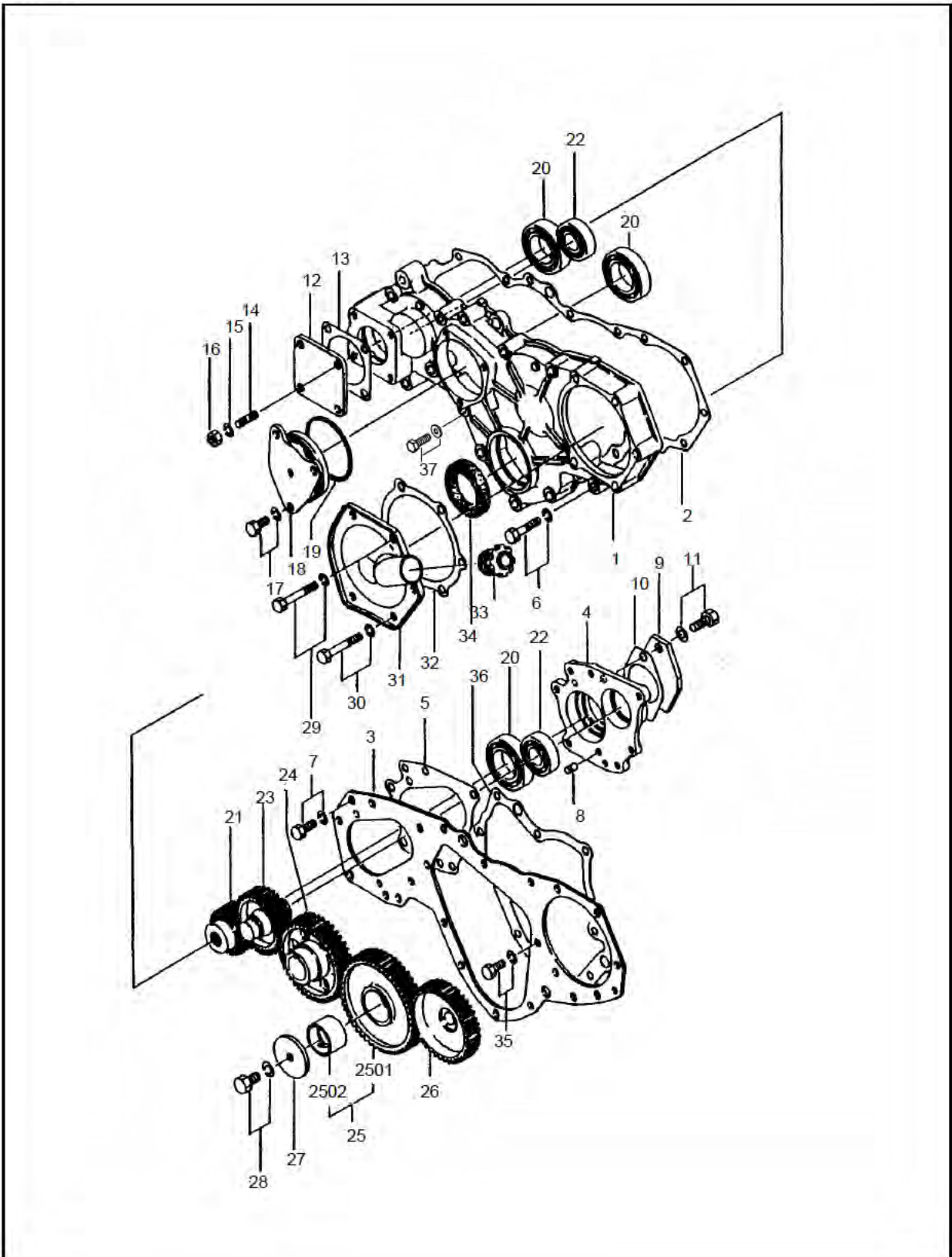
A-LT380D, B-LT450D

FIG. 07-02

NO.	PART NO.	PART NAME & DESCRIPTION	QTY		APP. NO	REM.
			A	B		
1	Q1100051	PLUG, DRAIN	1	1		
2	Q1100008	SEAL, OIL	1	1		
3	Q1550012	CASE, REAR	1	1		
4	Q1550023	GASKET, REAR	1	1		
5	Q1550010	BOLT, REAR CASE	14	14		
		M10x1.25x50L				
6	S361100013	WASHER, SPRING	2	2		
7	Q1550003	STUD	2	2		
		M10x1.25				
8	S314100013	NUT	2	2		
9	Q1100003	METAL SET, MAIN	1	1		
		STD				
901	Q1100026	METAL, MAIN UPPER	4	4		
		STD				
902	Q1100030	METAL, MAIN LOWER	4	4		
		STD				
903	Q1100034	METAL, MAIN UPPER	1	1		
		STD				
904	Q1100038	METAL, MAIN LOWER	1	1		
		STD				
10	Q1100004	METAL SET, MAIN	1	1		
		U.S. 0.25				
11	Q1100005	METAL SET, MAIN	1	1		
		U.S. 0.50				
12	Q1100006	METAL SET, MAIN	1	1		
		U.S. 0.75				
13	Q1800003	SWITCH, OIL	1	1		
14	Q1100043	GASKET	1	1		
15	Q1100042	FLANGE	1	1		
16	S153082033	BOLT, W/WASHER	2	2		

TIMING GEAR CASE & TIMING GEAR

FIG. 11



TIMING GEAR CASE & TIMING GEAR

A-LT380D, B-C45

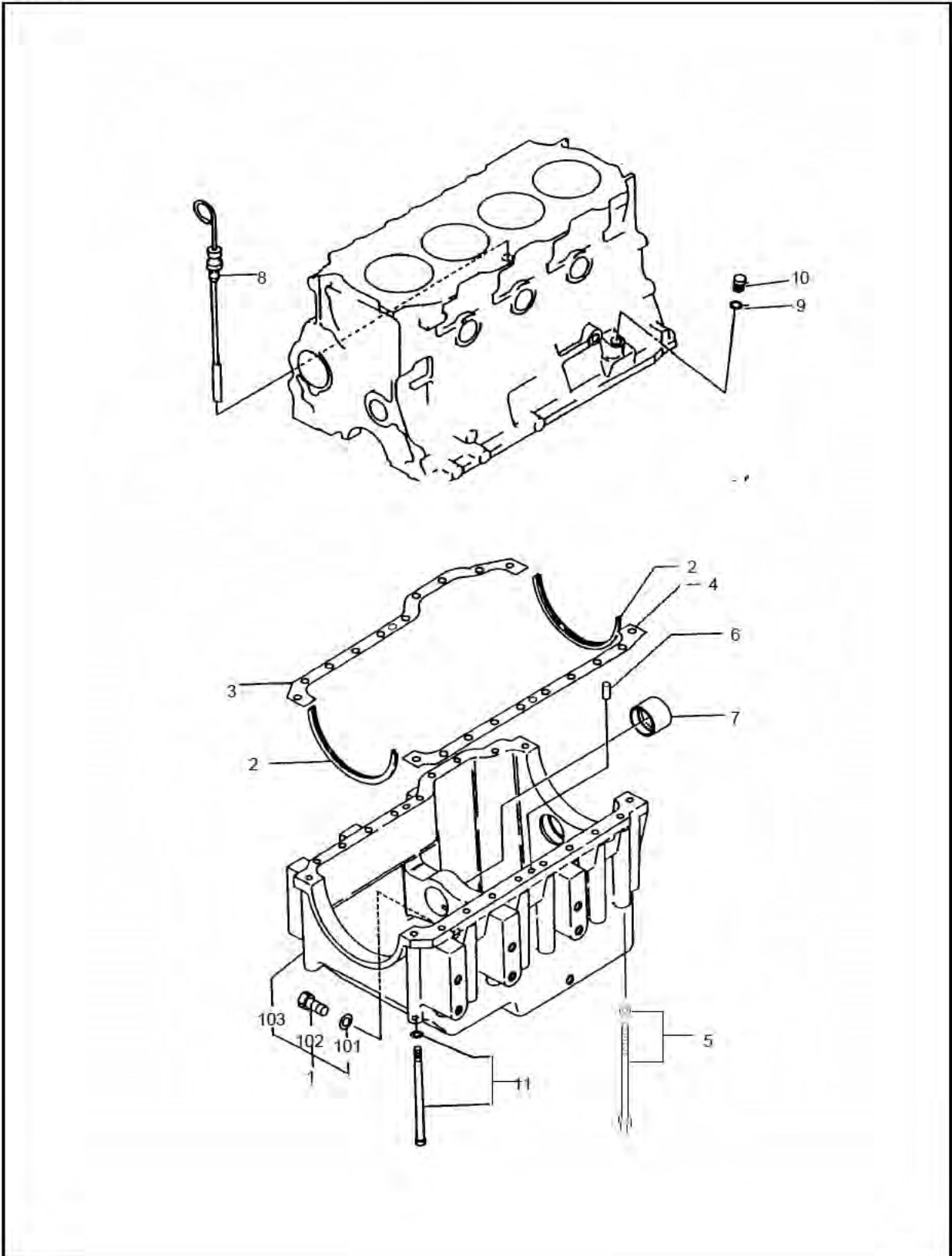
A-LT380D, B-LT450D

FIG. 11

NO.	PART NO.	PART NAME & DESCRIPTION	QTY		APP. NO	REM.
			A	B		
1	Q1300001	CASE, TIMING GEAR	1	1		
2	Q1300015	GASKET, GEAR CASE	1	1		
3	Q1300013	PLATE, FRONT	1	1		
4	Q1300024	CASE, BEARING	1	1		
5	Q1300025	GASKET, BEARING CASE	1	1		
6	S153085533	BOLT, W/WASHER	M8x1.25x55	1	1	
7	S153082033	BOLT, W/WASHER	M8x1.25x20	2	2	
8	Q1300026	PIN, DOWEL		2	2	
9	*	PLATE		*	*	
10	*	GASKET		*	*	
11	*	BOLT, W/WASHER	M10x1.25x20	*	*	
12	Q1300018	COVER, OIL PUMP		*	*	
13	3A1823010	GASKET		*	*	
14	S139082523	STUD		4	4	
15	*	WASHER, SPRING		*	*	
16	*	NUT		*	*	
17	S153081633	BOLT, W/WASHER	M8x1.25x16	3	3	
18	Q1300017	CASE, BEARING		1	1	
19	S802075010	O-RING		1	1	
20	A0860080	BEARING, BALL	#6009	3	3	
21	Q1300010	GEAR, PUMP DRIVE		1	1	
22	A0862050	BEARING, BALL	#6206	2	2	
23	Q1300009	IDLER, P.T.O.		1	1	
24	Q1300005	GEAR, CAMSHAFT	Z=40	1	1	
25	Q1300006	GEAR ASSY, IDLER	Z=51	1	1	
01	*	GEAR, IDLER		1	1	
02	Q1300008	BUSHING, IDLER		1	1	
26	Q1300011	GEAR, INJ. PUMP	Z=40	1	1	
27	Q1300023	PLATE, THRUST		1	1	
28	S154102033	BOLT, W/WASHER	M10x1.25x20	1	1	
29	S153086033	BOLT, W/WASHER	M8x1.25x60	4	4	
30	S153086033	BOLT, W/WASHER	M8x1.25x60	1	1	
31	Q1300016	FILLER, OIL		1	1	
32	Q1300021	GASKET		1	1	
33	Q1300012	CAP, FILLER		1	1	
34	Q1300020	SEAL, OIL		1	1	
35	S153081633	BOLT, W/WASHER	M8x1.25x16	2	2	
36	Q1300014	GASKET, FRONT PLATE		1	1	
37	S153085033	BOLT, W/WASHER	M8x1.25x50	13	13	

OIL PAN

FIG. 13



OIL PAN

A-LT380D, B-C45

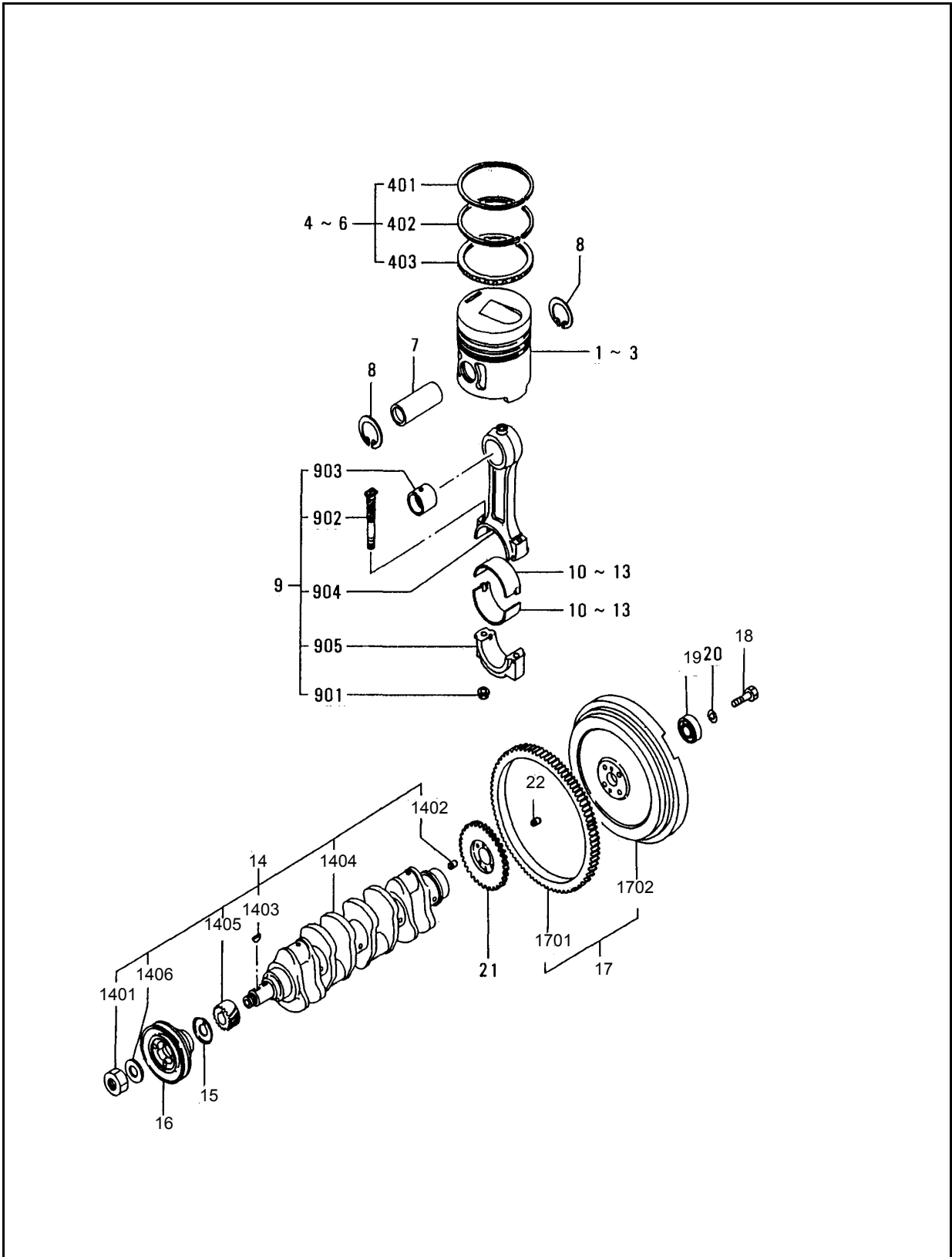
A-LT380D, B-LT450D

FIG. 13

NO.	PART NO.	PART NAME & DESCRIPTION	QTY		APP. NO	REM.
			A	B		
1	*	PAN ASSY, OIL	1	1		
101	Q0650003	GASKET	2	2		
102	Q0610002	PLUG, DRAIN	2	2		
103	Q1450002	PAN, OIL	*	*		
	Q1450027	PAN, OIL	1	1		
2	Q1450031	U-SEAL	1	1		
3	Q1450008	GASKET, OIL PAN A	1	1		
4	Q1450009	GASKET, OIL PAN B	1	1		
5	Q1450022	BOLT, OIL PAN	8	8		
6	Q0620002	PIN, DOWEL	2	2		
7	Q1450019	BEARING, NEEDLE	2	2		
8	Q1450011	GEAR, OIL LEVEL	1	1		
9	Q0650005	O-RING	1	1		
10	Q1450012	PLUG	1	1		
11	Q1450028	BOLT, OIL PAN	12	12		

MAIN MOVING PARTS

FIG. 17



MAIN MOVING PARTS

A-LT380D, B-C45

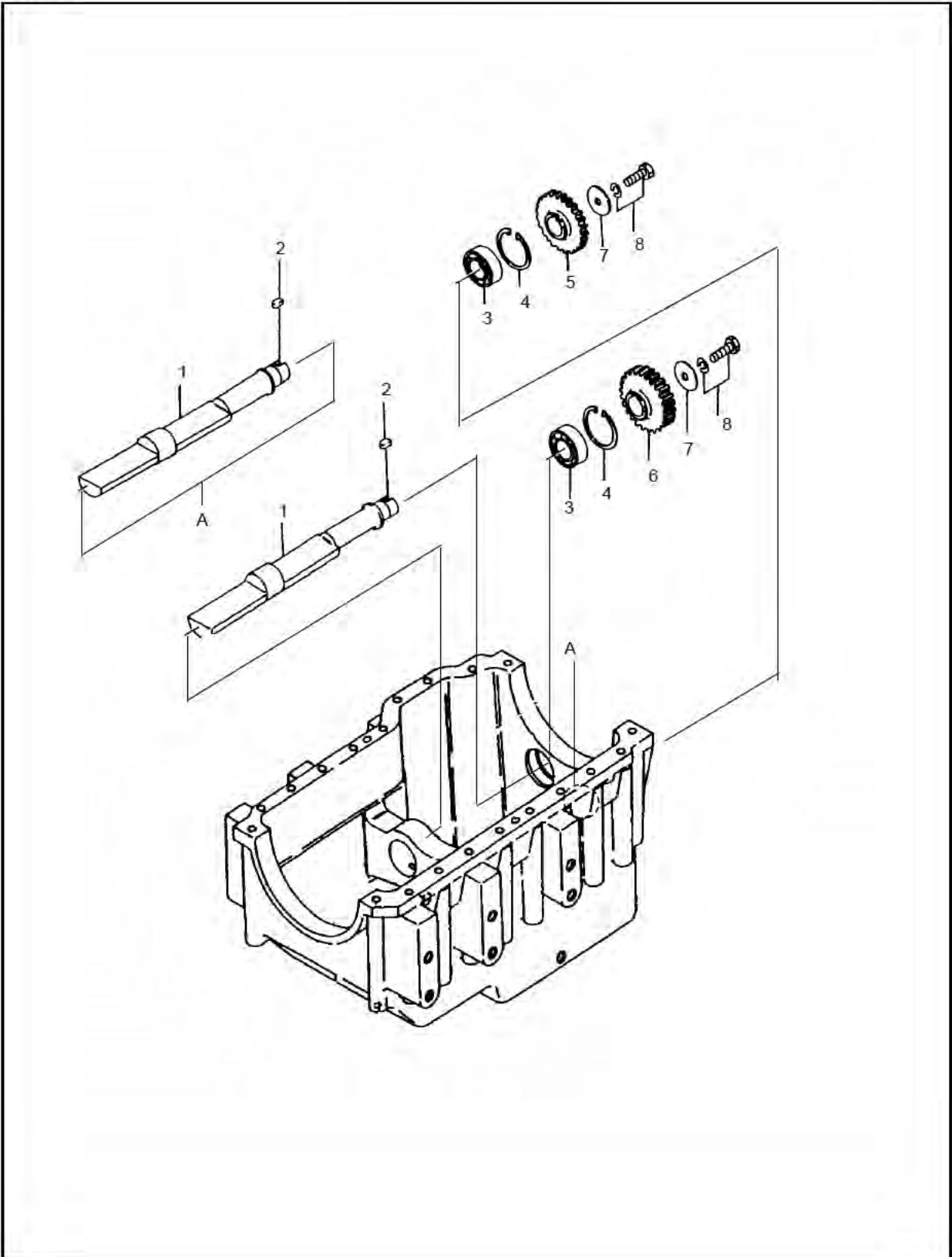
A-LT380D, B-LT450D

FIG. 17

NO.	PART NO.	PART NAME & DESCRIPTION		QTY		APP. NO	REM.
				A	B		
1	Q1200002	PISTON	STD	4	*		
	Q1200039	PISTON	STD	*	4		
2	Q1200003	PISTON, O.S 0.25	O.S 0.25	4	*		
	Q1200044	PISTON, O.S 0.25	O.S 0.26	*	4		
3	Q1200004	PISTON, O.S 0.50	O.S 0.50	4	*		
	Q1200045	PISTON, O.S 0.50	O.S 0.50	*	4		
4	Q1200031	RING SET, PISTON	STD	4	4		
401	Q1200005	RING, NO.1	STD	4	4		
402	Q1200008	RING, NO.2	STD	4	4		
403	Q1200011	RING, OIL	STD	4	4		
5	Q1200032	RING SET, PISTON	O.S 0.25	4	4		
6	Q1200033	RING SET, PISTON	O.S 0.50	4	4		
7	Q1200020	PIN, PISTON		4	4		
8	S811028005	RING, SNAP		8	8		
9	Q1200081	CONNECTING-ROD ASSY		4	*		
	Q1200082	CONNECTING-ROD ASSY		*	4		
901	Q1200026	NUT		8	8		
902	Q1200025	BOLT, CONNECTING		8	8		
903	Q1200024	BUSHING, CON-ROD		4	4		
904	*	ROD, CONNECTING		4	*		
	*	ROD, CONNECTING		*	4		
905	*	CAP, CON-ROD		4	*		
	*	CAP, CON-ROD		*	4		
10	Q1200027	METAL, CON-ROD	STD	8	8		
11	Q1200028	METAL, CON-ROD	U.S 0.25	8	8		
12	Q1200029	METAL, CON-ROD	U.S 0.50	8	8		
13	Q1200030	METAL, CON-ROD	U.S 0.75	8	8		
14	*	CRANKSHAFT ASSY		1	1		
1401	Q0610003	NUT, DOWEL		1	1		
1402	Q0620003	PIN, DOWEL		2	2		
1403	Q0630001	KEY, WOODRUFF		2	2		
1404	Q1200080	CRANKSHAFT		*	1		
	Q1200079	CRANKSHAFT		1	*		
1405	Q1300004	GEAR, CRANKSHAFT	Z=20	1	1		
1406	Q1200037	WASHER		1	1		
15	Q1200036	PLATE, BAFFLE		1	1		
16	Q1200001	PULLEY, CRANKSHAFT		1	1		
17	Q1500035	FLYWHEEL ASSY		1	1		
1701	Q1500003	GEAR, RING		1	1		
1702	Q1500034	FLYWHEEL		1	1		
18	S107126053	BOLT		4	1		
19	Q1500006	BEARING, BALL		4	1		
20	S361120013	WASHER, SPRING		1	1		
21	Q1460004	GEAR, DRIVE		1	1		
22	Q0620003	PIN, DOWEL		2	2		

BALANCER

FIG. 29



BALANCER

A-LT380D, B-C45

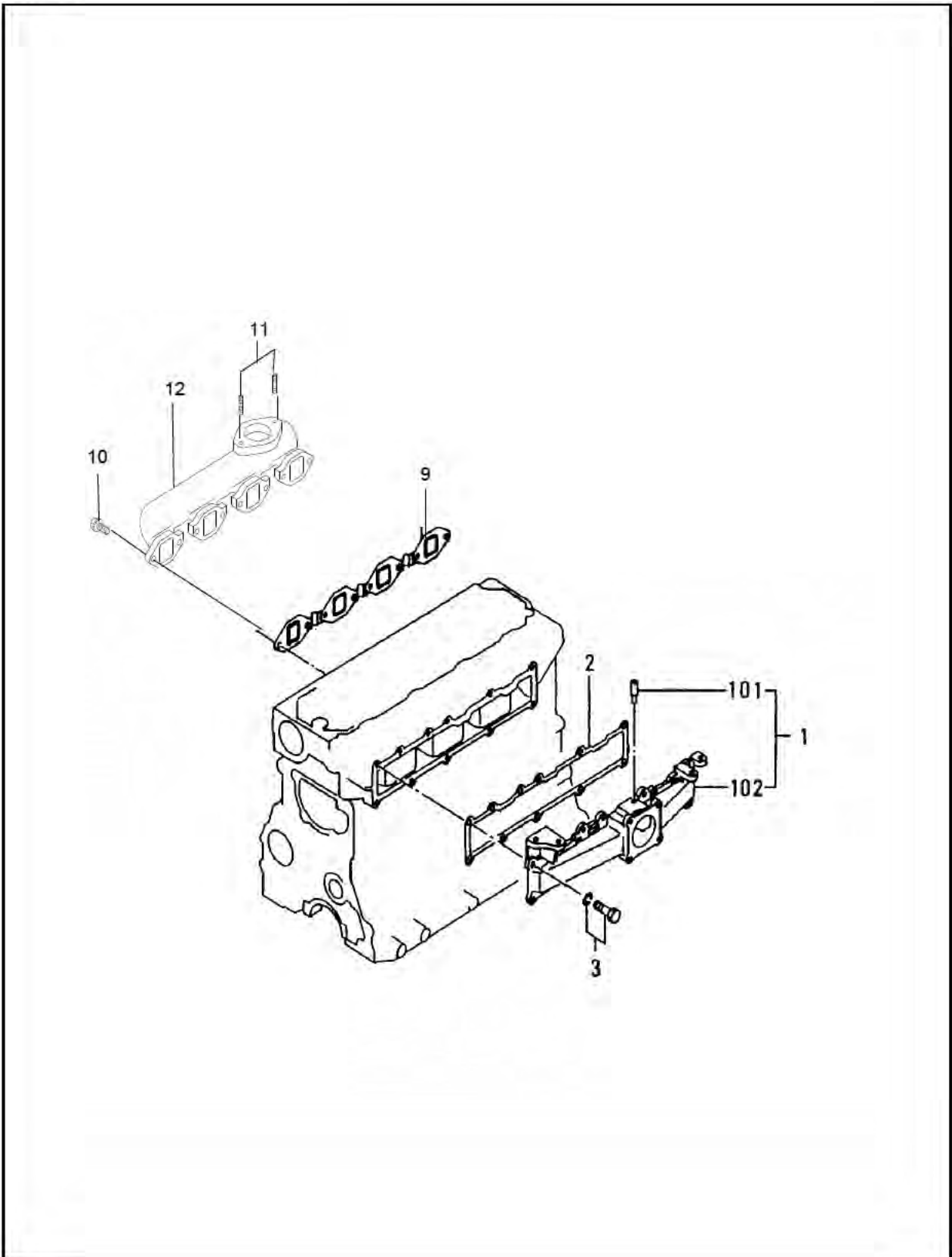
A-LT380D, B-LT450D

FIG. 29

NO.	PART NO.	PART NAME & DESCRIPTION	QTY		APP. NO	REM.
			A	B		
1	Q1460001	SHAFT, BALANCER	2	2		
2	Q0630002	KEY	2	2		
3	A0862050	BEARING, BALL	2	2		
4	S811052005	RING, SNAP	2	2		
5	Q1460003	GEAR, BALANCER (R)	1	1		Z=38
6	Q1460002	GEAR, BALANCER (L)	1	1		Z=38
7	Q1460006	WASHER	2	2		
8	S154102033	BOLT, W/WASHER	2	2		M10x1.25x20

BALANCER

FIG. 29



BALANCER

A-LT380D, B-C45

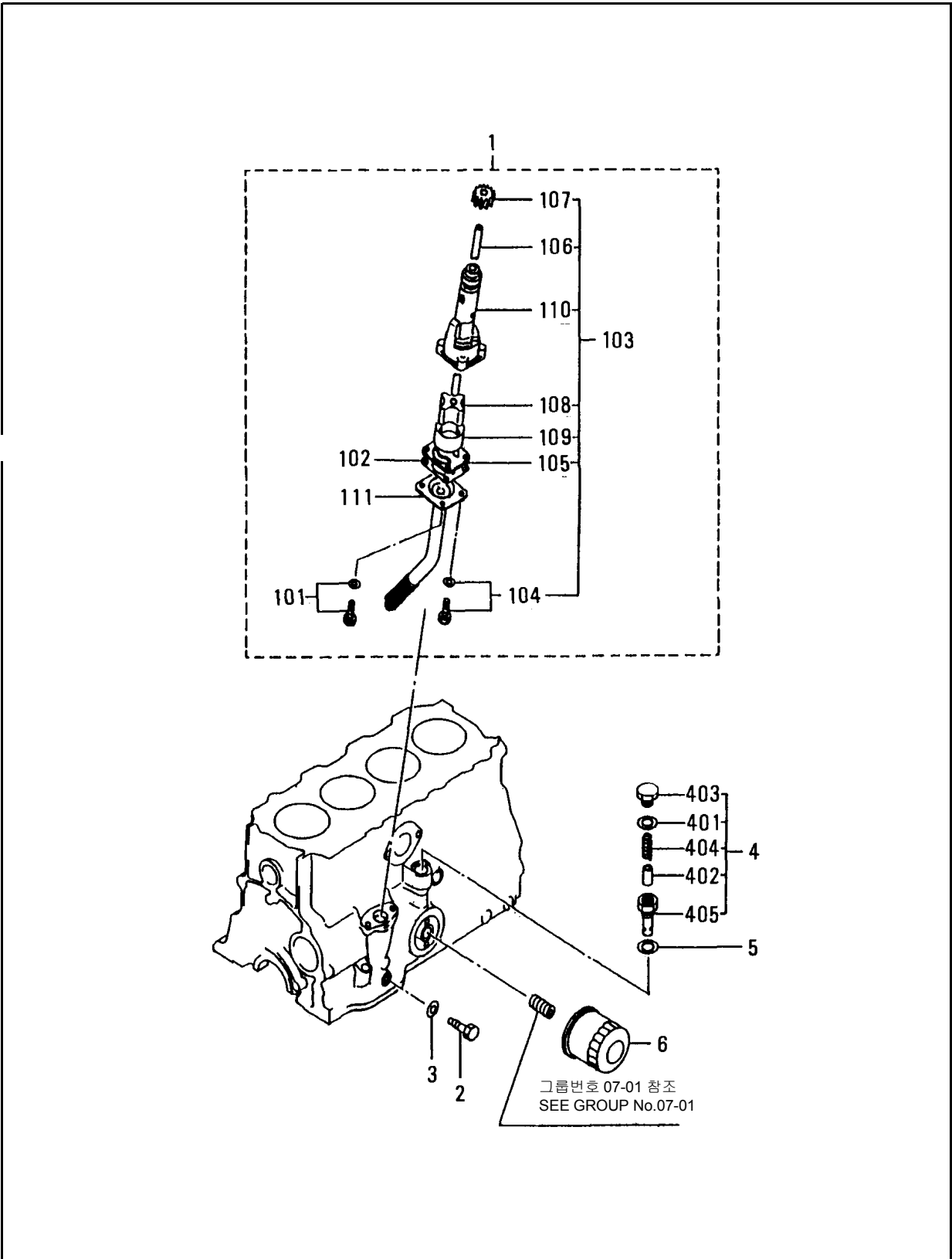
A-LT380D, B-LT450D

FIG. 29

NO.	PART NO.	PART NAME & DESCRIPTION	QTY		APP. NO	REM.
			A	B		
1	Q1600001	MANIFOLD ASSY,INLET	1	1		
101	*	PIPE	1	1		
102	*	MANIFOLD INLET	1	1		
2	Q1600006	GASKET, INLET MANIF.	1	1		
3	S153082033	BOLT, W/WASHER	11	11		
4	Q1600007	ELBOW, AIR INLET	1	1		
5	Q1600008	GASKET	1	1		
6	Q0610001	BOLT	2	2		
7	S361060013	WASHER, SPRING	2	2		
8	S153062033	BOLT, W/WASHER	2	2		
9	Q1650003	GASKET, EXHAUST	1	1		
10	S105082053	BOLT	8	8		
11	S139082523	STUD	2	2		
12	Q1650005	MANIFOLD, EXHAUST	1	1		

OIL SYSTEM

FIG. 36



OIL SYSTEM

A-LT380D, B-C45

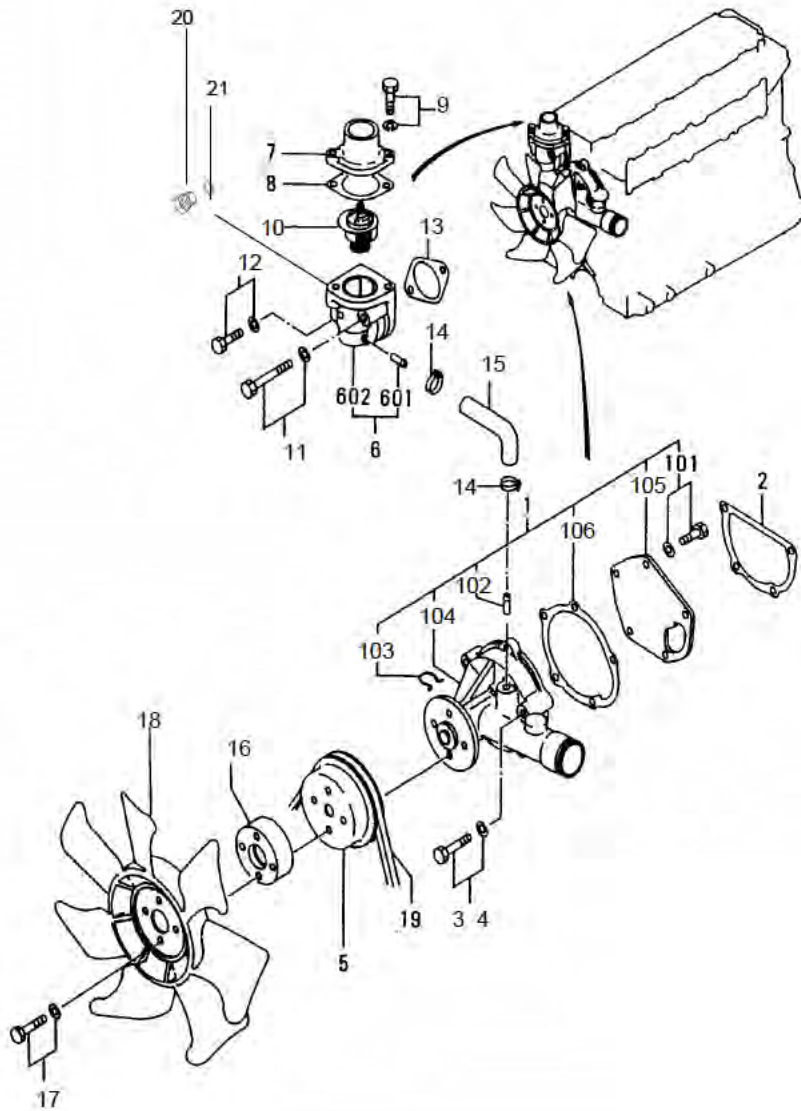
A-LT380D, B-LT450D

FIG. 36

NO.	PART NO.	PART NAME & DESCRIPTION	QTY		APP. NO	REM.
			A	B		
1	Q1400022	PUMP & STAINER ASSY	1	1		
101	S153062033	BOLT, W/WASHER	2	2		
102	Q1400003	PUMP ASSY, OIL	1	1		
103	S153062033	BOLT, W/WASHER	2	2		
104	*	GEAR, DRIVE	1	1		
105	*	COVER	1	1		
106	*	ROTOR, OUTER	1	1		
107	*	ROTER, INNER	1	1		
108	*	CASE, OIL	1	1		
109	*	SHAFT, OIL PUMP	1	1		
110	Q1400005	GASKET, STRAINER	1	1		
111	Q1400023	STRAINER, OIL	1	1		
2	Q1400006	BOLT	1	1		
3	Q1400007	GASKET	1	1		
4	Q1400008	VALVE ASSY	1	1		
401	*	GASKET	1	1		
402	*	PLUNGER	1	1		
403	*	PLUG	1	1		
404	*	SPRING	1	1		
405	*	HOUSING	1	1		
5	Q0650004	GASKET	1	1		
6	Q1400001	ELEMENT, OIL FILTER	1	1		

COOLING SYSTEM

FIG. 46



COOLING SYSTEM

A-LT380D, B-C45

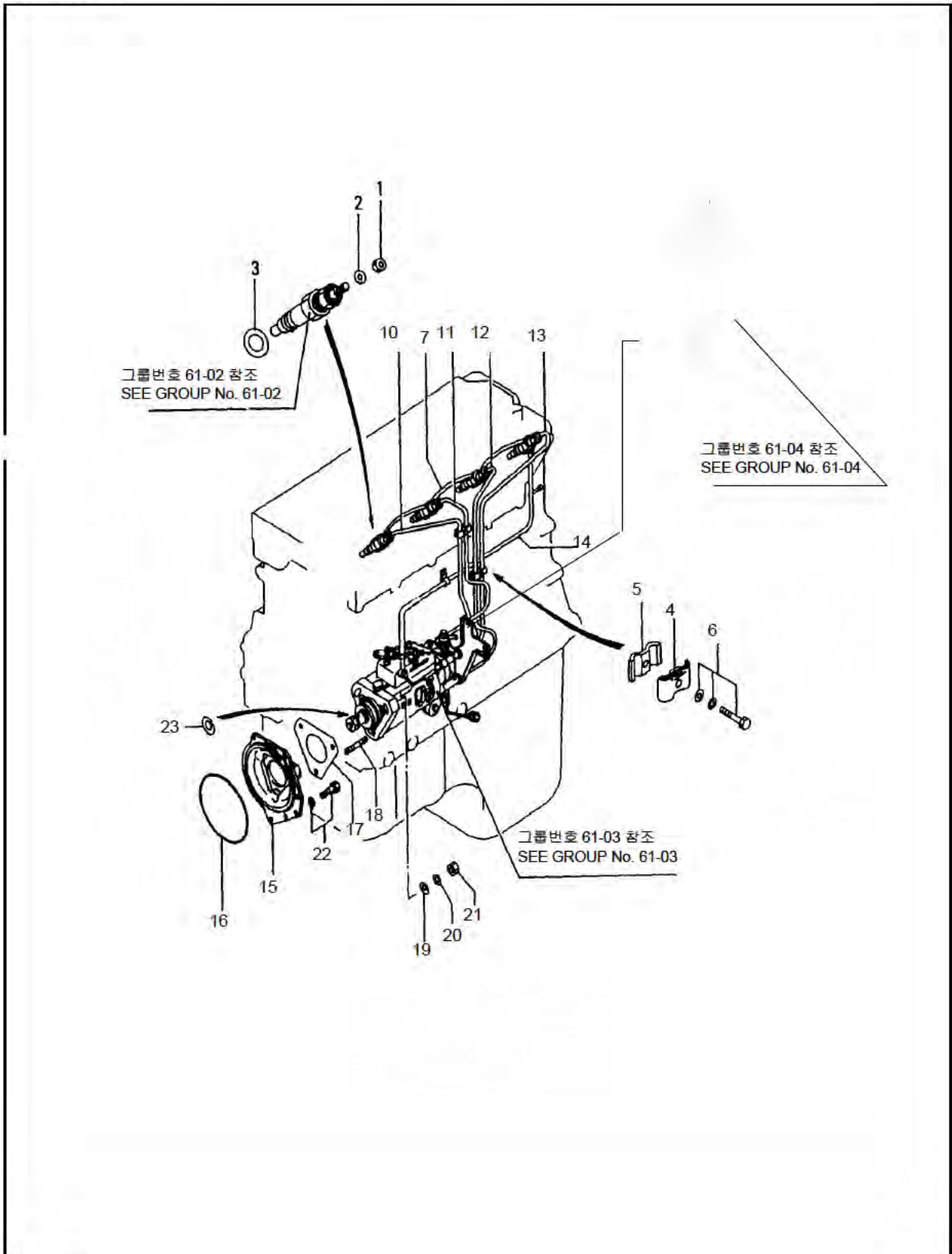
A-LT380D, B-LT450D

FIG. 46

NO.	PART NO.	PART NAME & DESCRIPTION	QTY		APP. NO	REM.
			A	B		
1	Q1350034	PUMP ASSY, WATER	1	1		
101	S153082033	BOLT, W/WASHER	1	1		
102	*	PIPE, WATER	1	1		
103	Q1350022	WIRE, CLIP	1	1		
104	*	CASE, WATER PUMP	1	1		
105	Q1350026	COVER, WATER PUMP	1	1		
106	Q1350023	GASKET, WATER PUMP	1	1		
2	Q1350007	GASKET	1	1		
3	S153084033	BOLT, W/WASHER	3	3		
4	S153086033	BOLT, W/WASHER	1	1		
5	Q1350041	PULLEY, WATER PUMP	1	1		
601	Q1350008	CASE ASSY	1	1		
602	*	CASE, THERMOSTAT	1	1		
7	Q1350009	COVER, THERMOSTAT	1	1		
8	Q1350010	GASKET, THERMOSTAT	1	1		
9	S153082533	BOLT, W/WASHER	2	2		
10	Q1350011	THERMOSTAT	1	1		
11	S153087533	BOLT, W/WASHER	1	1		
12	S153082533	BOLT, W/WASHER	1	1		
13	Q1350012	GASKET	1	1		
14	S901001813	CLAMP, HOSE	2	2		
15	Q1350013	HOSE, BY-PASS	1	1		
16	Q1350019	SPACER, FAN	1	1		
17	S153083033	BOLT, W/WASHER	4	4		
18	Q1350036	FAN, COOLING	1	1		
19	Q1350021	V-BELT, LOW EDGE	1	1		
20	A0610088	PLUG, DRAIN	1	1		
21	Q1160011	GASKET	1	1		

FUEL SYSTEM

FIG. 61-01



FUEL SYSTEM

A-LT380D, B-C45

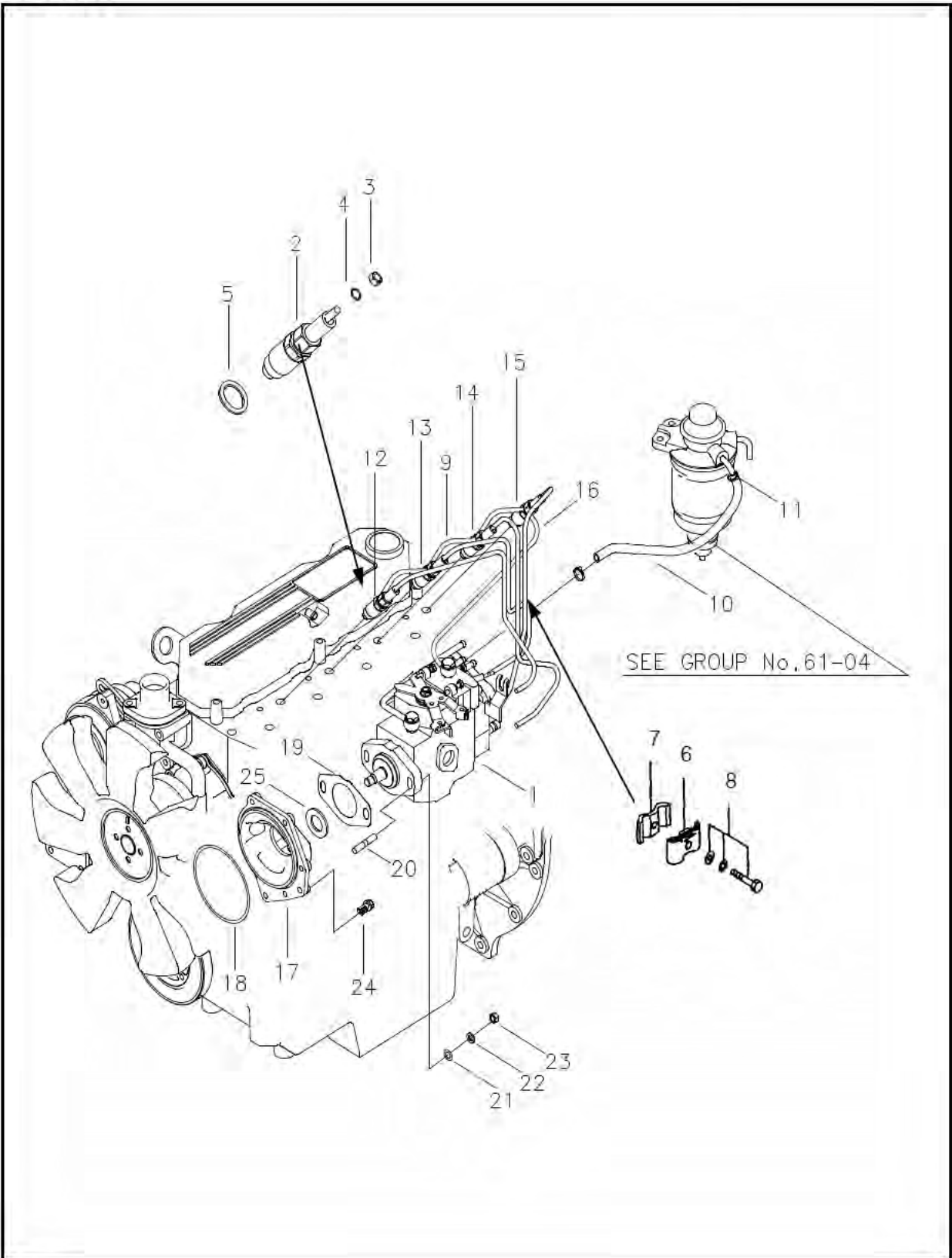
A-LT380D, B-LT450D

FIG. 61- 01

NO.	PART NO.	PART NAME & DESCRIPTION	QTY		APP. NO	REM.
			A	B		
1	Q1250006	NUT	4	4		
2	Q1250007	GASKET, FUEL LEAK-OFF	4	4		
3	Q1250008	GASKET, NOZZLE	4	4		
4	Q1250009	CLAMP	2	2		
5	Q1250010	CLAMP	2	2		
6	S155062533	BOLT, W/WASHER	2	2		
7	Q1250011	PIPE, FUEL LEAK	1	1		
8	Q1250013	HOSE, FUEL	1	1		
9	S901001213	CLAMP, HOSE	2	2		
10	Q1250019	PIPE, INJ. No.1	1	1		
11	Q1250020	PIPE, INJ. No.2	1	1		
12	Q1250021	PIPE, INJ. No.3	1	1		
13	Q1250022	PIPE, INJ. No.4	1	1		
14	Q1250115	PIPE, FUEL RETURN	1	1		
15	Q1250014	FLANGE, INJ. PUMP	1	1		
16	Q1250015	O-RING	1	1		
17	Q1250016	GASKET	1	1		
18	S139083023	STUD	3	3		
19	Q1250017	RETAINER	3	3		
20	S361080013	WASHER, SPRING	3	3		
21	S313080043	NUT	3	3		
22	S153082033	BOLT, W/WASHER	1	1		
23	S361140013	WASHER, SPRING	1	1		

COOLING SYSTEM

FIG. 61-01



COOLING SYSTEM

A-LT380D, B-C45

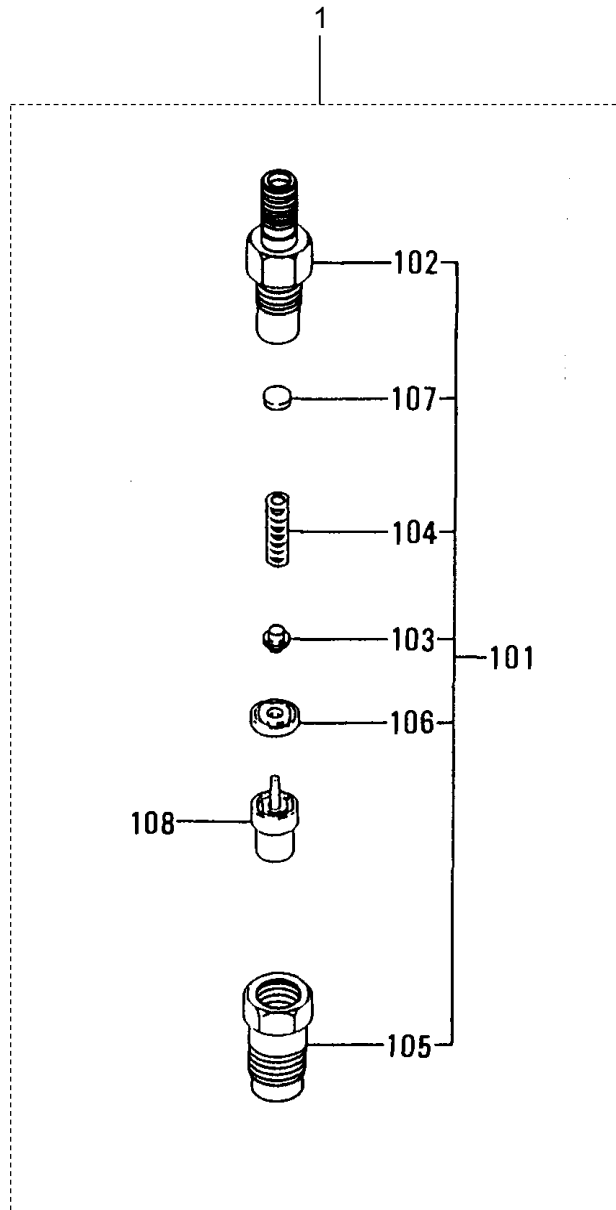
A-LT380D, B-LT450D

FIG. 61-01

NO.	PART NO.	PART NAME & DESCRIPTION	QTY		APP. NO	REM.
			A	B		
1	Q1250126	PUMP ASSY, INJ.	*	1		
	Q1250127	PUMP ASSY, INJ.	1	*		
2	Q1250005	NOZZLE ASSY	4	4		
3	Q1250006	NUT	4	4		
4	Q1250007	GASKET, FUEL LEAK-OFF	4	4		
5	Q1250008	GASKET, NOZZLE	4	4		
6	Q1250009	CLAMP	2	2		
7	Q1250010	CLAMP	2	2		
8	S155062533	BOLT, W/WASHER	2	2		
9	Q1250011	PIPE, FUEL LEAK	1	1		
10	Q1250138	HOSE, FUEL	1	1		
11	S901001213	CLAMP, HOSE	2	2		
12	Q1250131	PIPE, INJ. No.1	1	1		
13	Q1250132	PIPE, INJ. No.2	1	1		
14	Q1250133	PIPE, INJ. No.3	1	1		
15	Q1250134	PIPE, INJ. No.4	1	1		
16	Q1250130	PIPE, FUEL	1	1		
17	Q1250128	FLANGE, INJ. PUMP	1	1		
18	Q1250015	O-RING	1	1		
19	Q1250129	GASKET	1	1		
20	S139083023	STUD	2	2		
21	Q1250017	RETAINER	2	2		
22	S361080013	WASHER, SPRING	2	2		
23	S313080043	NUT	2	2		
24	S153082033	BOLT, W/WASHER	1	1		
25	S361140013	WASHER, SPRING	1	1		

NOZZLE

FIG. 61- 02



NOZZLE

A-LT380D, B-C45

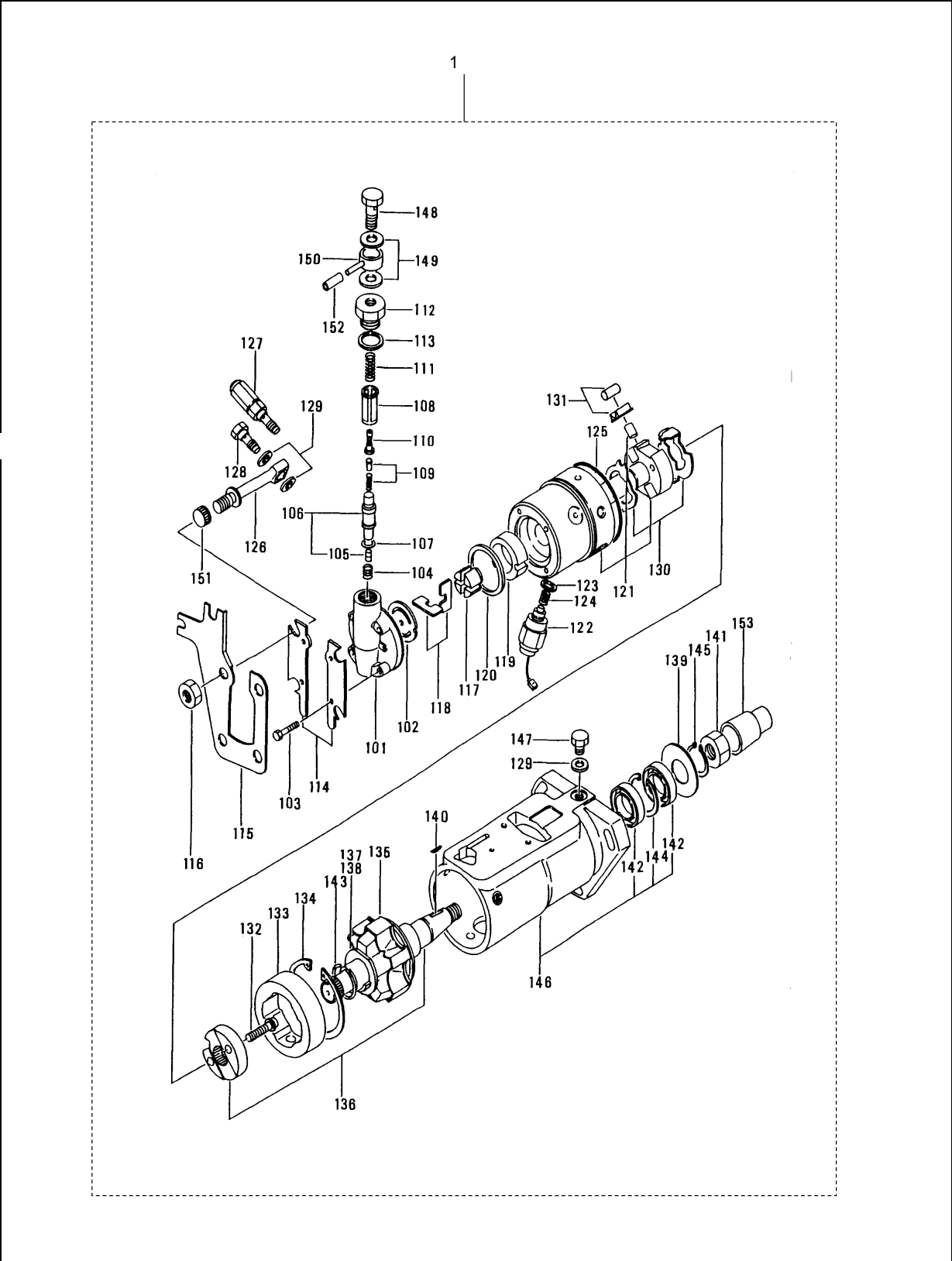
A-LT380D, B-LT450D

FIG. 61- 02

NO.	PART NO.	PART NAME & DESCRIPTION		QTY		APP. NO	REM.
				A	B		
1	Q1250005	NOZZLE ASSY		4	4		
01	Q1250044	HOLLDER		4	4		
02	*	BODY ASSY		4	4		
03	*	PIN, PRESSURE		4	4		
04	*	SPRING, PRESSURE		4	4		
05	*	NUT, RETAINING		4	4		
06	*	PIECE, DISTANCE		4	4		
07	*	WASHER	T=0.900	AR	AR		
		WASHER	T=0.925	AR	AR		
		WASHER	T=0.975	AR	AR		
		WASHER	T=0.950	AR	AR		
		WASHER	T=1.00	AR	AR		
		WASHER	T=1.025	AR	AR		
		WASHER	T=1.050	AR	AR		
		WASHER	T=1.075	AR	AR		
		WASHER	T=1.100	AR	AR		
		WASHER	T=1.125	AR	AR		
		WASHER	T=1.150	AR	AR		
		WASHER	T=1.175	AR	AR		
		WASHER	T=1.200	AR	AR		
		WASHER	T=1.225	AR	AR		
		WASHER	T=1.250	AR	AR		
		WASHER	T=1.275	AR	AR		
		WASHER	T=1.300	AR	AR		
		WASHER	T=1.325	AR	AR		
		WASHER	T=1.350	AR	AR		
		WASHER	T=1.375	AR	AR		
		WASHER	T=1.400	AR	AR		
		WASHER	T=1.425	AR	AR		
		WASHER	T=1.450	AR	AR		
		WASHER	T=1.475	AR	AR		
		WASHER	T=1.50	AR	AR		
		WASHER	T=1.525	AR	AR		
		WASHER	T=1.550	AR	AR		
		WASHER	T=1.575	AR	AR		
		WASHER	T=1.60	AR	AR		
		WASHER	T=1.625	AR	AR		
		WASHER	T=1.650	AR	AR		
		WASHER	T=1.675	AR	AR		
		WASHER	T=1.70	AR	AR		
		WASHER	T=1.725	AR	AR		
		WASHER	T=1.750	AR	AR		
		WASHER	T=1.775	AR	AR		
		WASHER	T=1.80	AR	AR		
		WASHER	T=1.825	AR	AR		

INJECTION PUMP (MODEL DPA)

FIG. 61- 03-01



INJECTION PUMP (MODEL DPA)

A-LT380D, B-C45

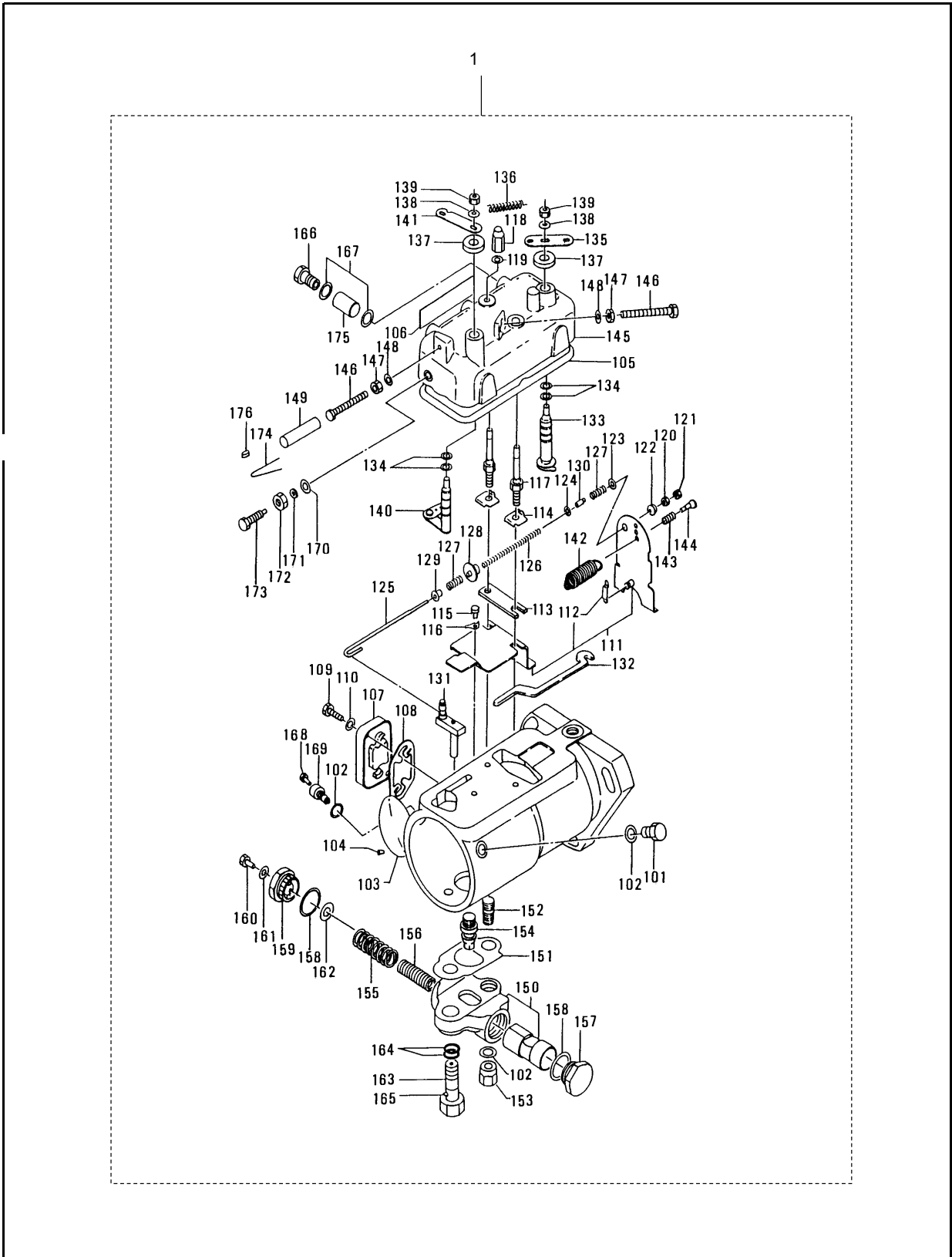
A-LT380D, B-LT450D

FIG. 61- 03-01

NO.	PART NO.	PART NAME & DESCRIPTION	QTY		APP. NO	REM.
			A	B		
1	Q1250069	PUMP ASSY, INJ.	1	*		
	Q1250037	PUMP ASSY, INJ.	*	1		
101	7184-073C	PLATE	1	1		
102	7180-147A	PLATE	1	1		
103	5334-315D	SCREW	4	4		
104	7123-439	SPRING	1	1		
105	Q1250055	PISTON	1	1		
106	Q1250048	SLEEVE & PISTON	1	1		
107	7180-453	WASHER, SLEEVE	1	1		
108	Q1250049	FILTER	1	1		
109	Q1250050	SPRING & GUIDE	1	1		
110	Q1250051	PLUG	1	1		
111	7123-551	SPRING	1	1		
112	7167-149	CONNECTOR	1	1		
113	NW5-77W4	WASHER	1	1		
114	7139-267	PLATE	2	2		
115	9080-595	PLATE	1	1		
116	7990-90	NUT	4	4		
117	7123-18	ROTPR	1	1		
118	Q1250052	BLADE	2	2		
119	Q1250053	LINER	1	1		
120	7139-43	SEAL	1	1		
121	Q1250054	HEAD & ROTOR	1	1		
122	Q1250046	SOLENOIDE	1	1		
123	9080-95	WASHER, SPRING	1	1		
124	9080-93	SPRING	1	1		
125	5855-30BC	SEAL	1	1		
126	7167-627	SHAFT	4	4		
127	*	VALVE	*	*		
128	Q1250056	VALVE	4	4		
129	Q1250057	WASHER	9	9		
130	7135-73A	PLATE KIT	1	1		
131	7135-72	ROLLER & SHOE	1	1		
132	5334-245	SCREW	2	2		
133	7139-819J	CAM	1	1		
134	5950-64A	CLIP	1	1		
135	7123-914G	WEIGHT	4	4		
136	Q1250058	SHAFT ASSY	1	1		
137	7167-89A	SLEEVE	1	1		
138	5936-124A	WASHER	1	1		
139	7139-955	WASHER	1	1		
140	NKI-22	KEY	1	1		
141	5330-439	NUT	1	1		
142	Q1250059	SEAL	2	2		
143	5921-16	RING	1	1		

INJECTION PUMP (MODEL DPA)

FIG. 61- 03-02



INJECTION PUMP (MODEL DPA)

A-LT380D, B-C45

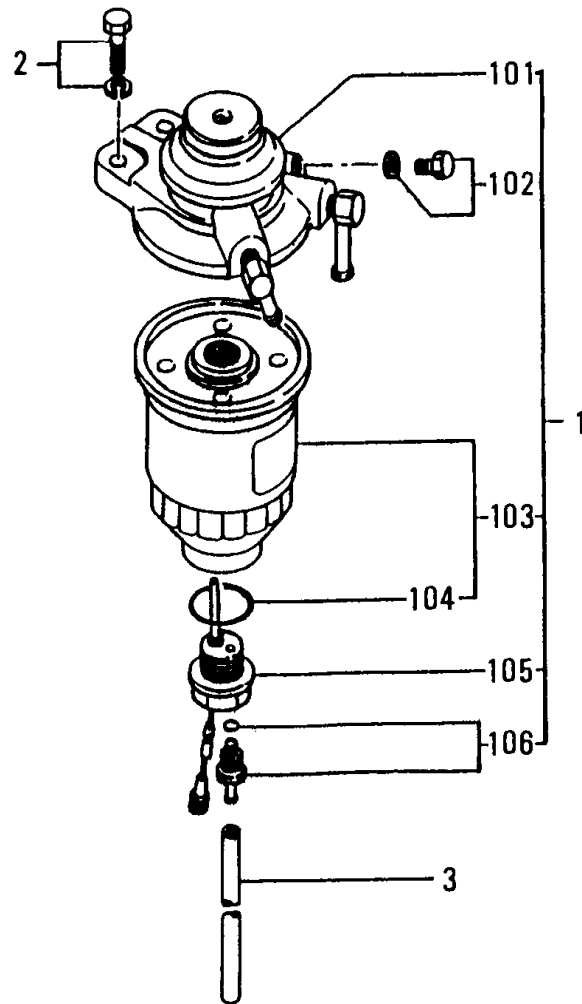
A-LT380D, B-LT450D

FIG. 61- 03-02

NO.	PART NO.	PART NAME & DESCRIPTION	QTY		APP. NO	REM.
			A	B		
1	Q1250069	PUMP ASSY, INJ.	1	*		
	Q1250069	PUMP ASSY, INJ.	*	1		
101	5334-280	PLUG, SCREW	1	1		
102	NW5-18W4	WASHER	3	3		
103	7990-63	PLATE, NAME	1	1		
104	NR21-4	RIVET	2	2		
105	7180-451	GASKET	1	1		
106	9080-650	PLATE, NAME	1	1		
107	7180-55B	COVER	1	1		
108	9045-137	GASKET	1	1		
109	5334-274	SCREW	2	2		
110	NPI-5	WASHER	2	2		
111	7135-76C	BRACKET KIT	1	1		
112	7123-89	SPRING	1	1		
113	7123-355	PLATE	1	1		
114	7123-600	WASHER	2	2		
115	5334-277	SCREW	1	1		
116	7167-331	WASHER	1	1		
117	7123-527	STUD	2	2		
118	9080-539	NUT	2	2		
119	5339-970	WASHER	2	2		
120	NU9-321	NUT	1	1		
121	5330-352	NUT	1	1		
122	7123-91	BALL	1	1		
123	5936-328	WASHER	1	1		
124	5936-313B	WASHER	1	1		
125	7123-81	HOOK	1	1		
126	7139-576	SPRING	1	1		
127	7139-566	SPRING	2	2		
128	7167-376	GUIDE	1	1		
129	7167-377	RETAINER	1	1		
130	7139-755	SPACER	1	1		
131	9080-129S	VALVE	1	1		
132	7123-304E	BAR	1	1		
133	7123-726A	SHAFT	1	1		
134	5855-30	SEAL	4	4		
135	9080-530	LEVER	1	1		
136	9080-106	SPRING	1	1		
137	9080-536	CAP	2	2		
138	9080-84	WASHER	2	2		
139	5330-406	NUT	2	2		
140	7123-770	SHAFT	1	1		
141	9080-206A	LEVER	1	1		
142	7123-898L	SPRING	1	1		
143	7123-92D	SPRING	1	1		

FUEL FILTER

FIG. 61- 04



FUEL FILTER

A-LT380D, B-C45

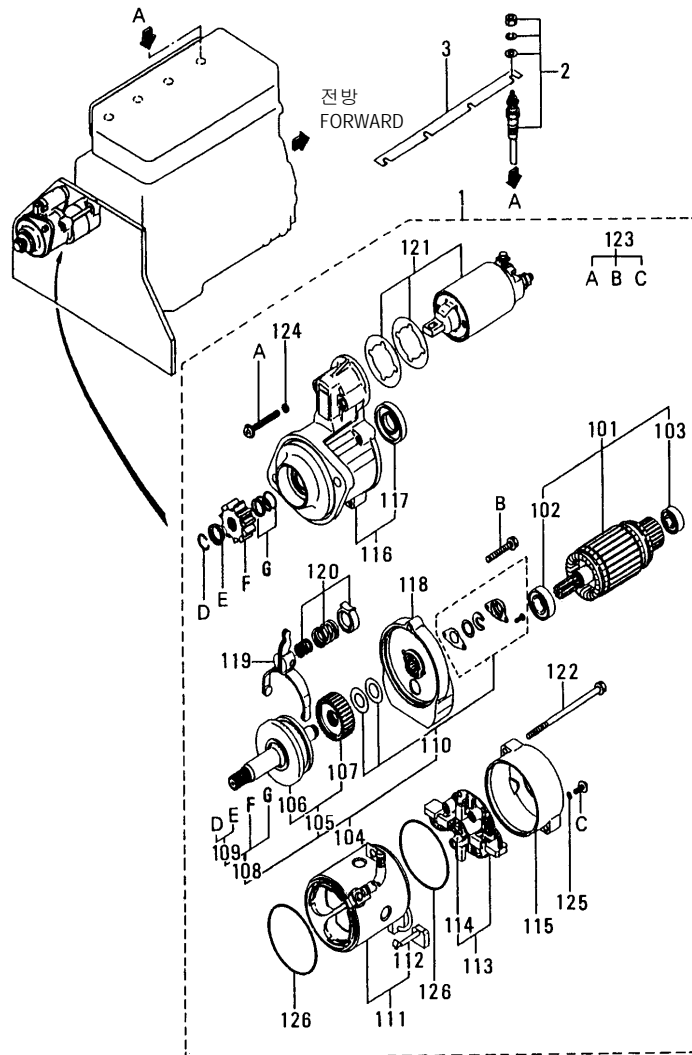
A-LT380D, B-LT450D

FIG. 61- 04

NO.	PART NO.	PART NAME & DESCRIPTION	QTY		APP. NO	REM.
			A	B		
1	Q1250001	FILTER ASSY, FUEL	1	1		
101	Q1250002	BODY ASSY	1	1		
102	*	PLUG	1	1		
103	Q1250003	CARTRIDGE	1	1		
104	*	O-RING	1	1		
105	Q1250004	SENSOR	1	1		
106	*	PLUG	1	1		
2	S153082533	BOLT, W/WASHER	2	2		
3	Q0720001	TUBE	1	1		

STARTER (12V-2.2KW)

FIG. 66



STARTER (12V-2.2KW)

A-LT380D, B-C45

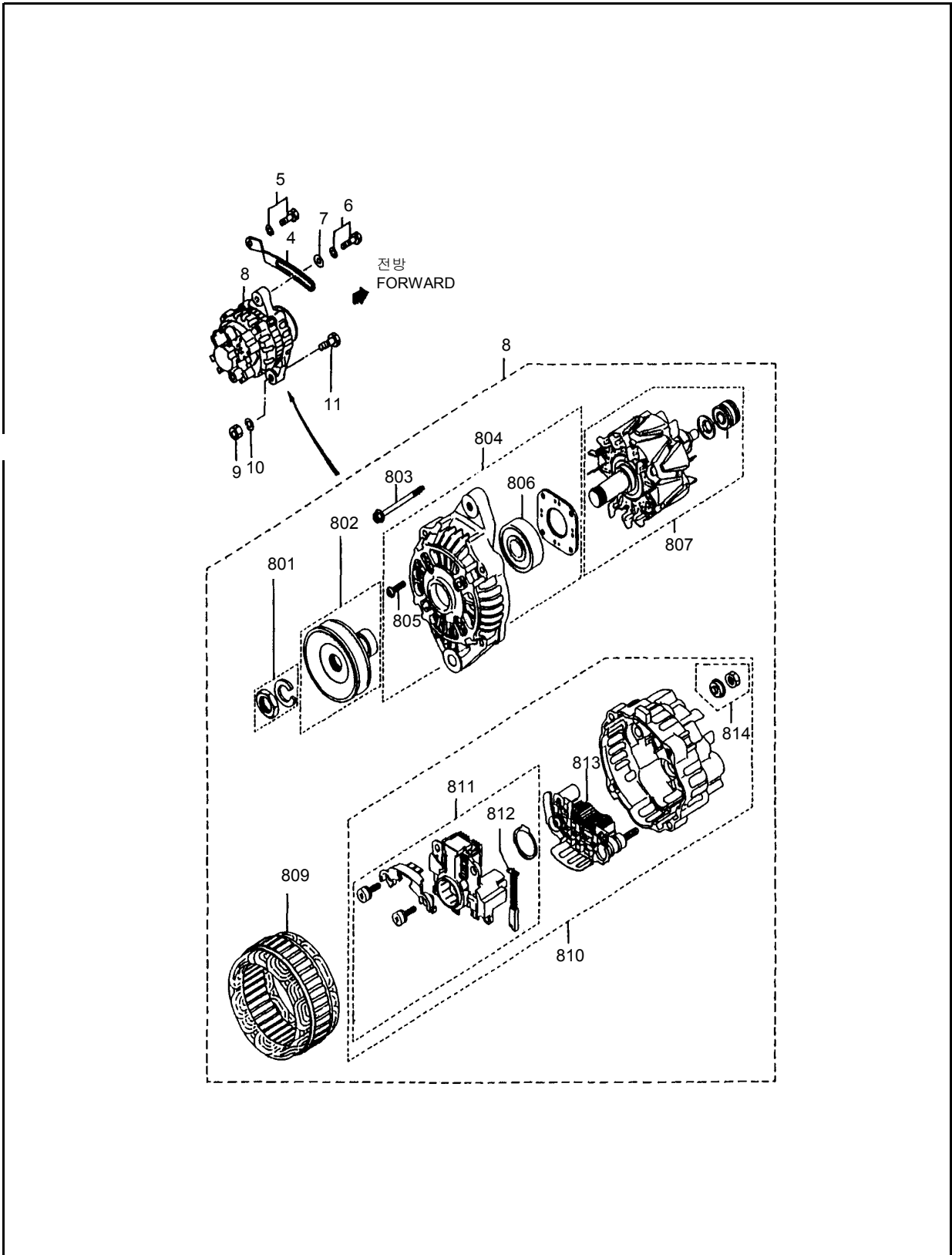
A-LT380D, B-LT450D

FIG. 66

NO.	PART NO.	PART NAME & DESCRIPTION	QTY		APP. NO	REM.
			A	B		
1	Q1700001	STARTER ASSY	1	1		
01	T200B01601	ARMATURE ASSY	1	1		
02	K500463	BEARING	1	1		
03	K400058	BEARING	1	1		
04	4EM0697	WASHER	1	1		
05	TM300C02801	SHAFT ASSY	1	1		
06	3EM0767	GEAR	1	1		
07	4EM1663	YORK ASSY	1	1		
08	TM009C02201	REAR BRACKET ASSY	1	1		
09	3EM0767	HOLDER ASSY, BRUSH	1	1		
10	4EM1663	RING, RUBBER	2	2		
11	TM190C00301	SCREW, FLANGE	2	2		
12	4EM1543	PLATE, HOLDER	1	1		
13	4EM0713	WASHER, ADJUST	1	1		
14	4EM0714	STOPPER, CENTER	1	1		
15	4EM1608	COVER, HOLDER	1	1		
16	4EM1713	SCREW, FLANGE	2	2		
17	4EM1596	PLATE, HOLDER	2	2		
18	4EM1573	SPRING A	1	1		
19	4EM1574	SPRING B	1	1		
20	4EM1760	PACKING	1	1		
21	4EM1057	SCREW, FLANGE	2	2		
22	TM400B02501	SWITCH ASSY	1	1		
23	4EM2047	THROUGH BOLT	1	1		
2	Q1800001	PLUG, GLOW	4	4		
3	Q1800002	PLATE, CONNECTION	1	1		

ALTERNATOR (12V- 45)

FIG. 68



ALTERNATOR (12V- 45)

A-LT380D, B-C45

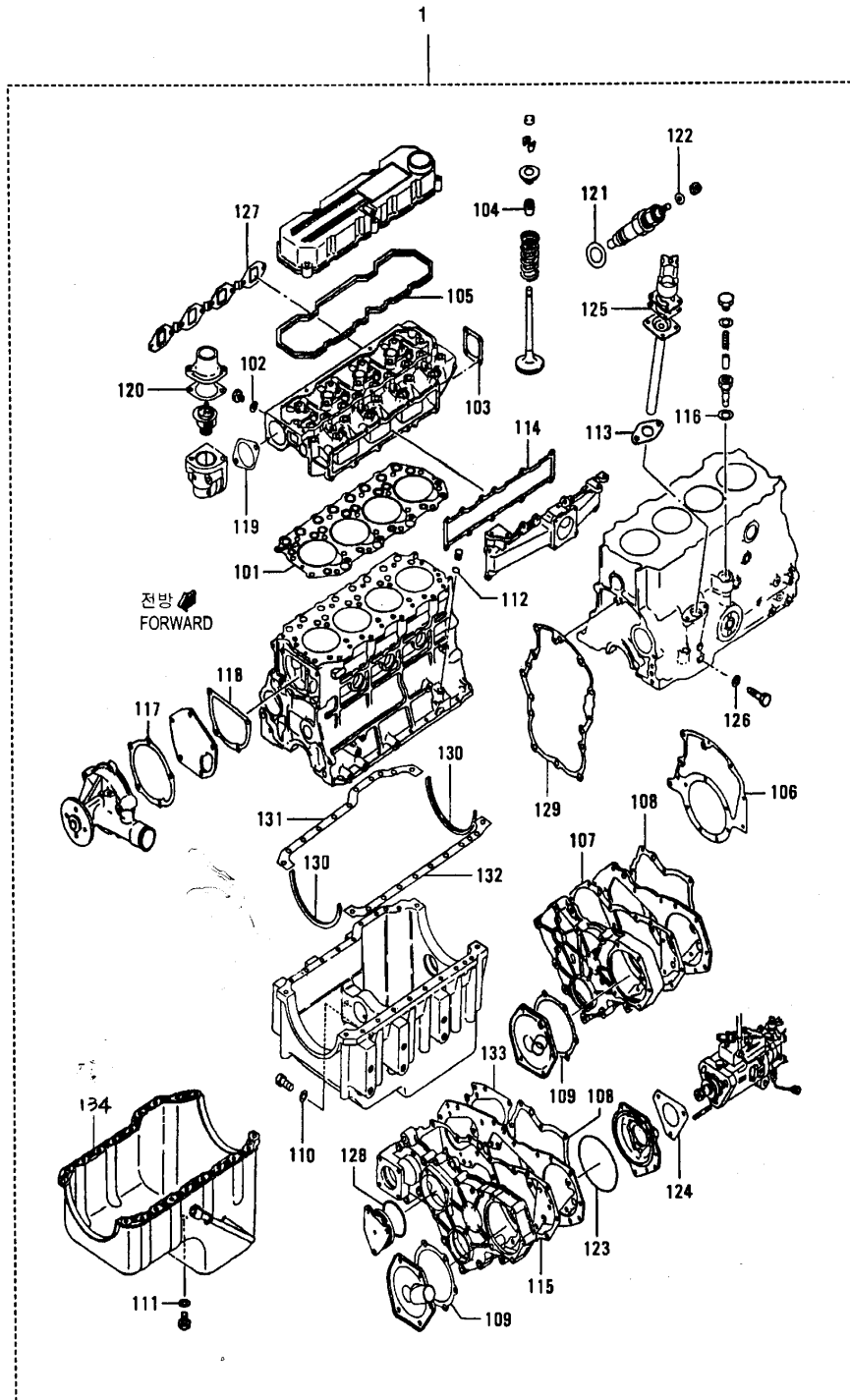
A-LT380D, B-LT450D

FIG. 68

NO.	PART NO.	PART NAME & DESCRIPTION	QTY		APP. NO	REM.
			A	B		
1	Q1750003	BRACKET, ALTERNATOR	*	*		
2	S154102033	BOLT, W/WASHER	*	*		
3	S156104033	BOLT, W/WASHER	*	*		
4	Q1750002	PLATE, ADJUST	1	1		
5	S153082033	BOLT, W/WASHER	1	1		
6	S159082033	BOLT, W/WASHER	1	1		
7	S364100033	WASHER, PLN	1	1		
8	Q1750001	ALTERNATOR	1	1		
101	A902C0107	HEX NUT	1	1		
102	A903C0101	WASHER, SPRING	1	1		
103	TA01603301	PULLEY	1	1		
104	A091C0311	SPACER	1	1		
105	A094C0301	THROUGH BOLT	4	4		
106	TA300B04401	F/R BRACKET ASSY	1	1		
107	A905C0103	FLANGE SCREW	4	4		
108	K500811	BERAING F/R	1	1		
109	TA00C02701	ROTOR ASSY	1	1		
110	K402968	BEARING F/R	1	1		
111	TA100C02201	STARTOR	1	1		
112	TA400B06501	R/R BRACKET ASSY	1	1		
113	TA600C02501	RECTIFILER ASSY	1	1		
114	A500C0061	REGULATOR ASSY	1	1		
115	A934C0107	BUSH SPRIING	2	2		
116	A933C0602	BRUSH	2	2		
117	4EA1129	FLANGE NUT	1	1		
118	A909C0201	MOLD	1	1		
9	S314100043	NUT	1	1		
10	S361100013	WASHER, SPRING	1	1		
11	S103106543	BOLT	1	1		

OVERHAUL GASKET KIT

FIG. 94



OVERHAUL GASKET KIT

A-LT380D, B-C45

A-LT380D, B-LT450D

FIG. 94

NO.	PART NO.	PART NAME & DESCRIPTION	QTY			APP. NO	REM.
			A	B			
1	Q0650009	GSAKET KIT	1	1			
	Q0650010	GASKET KIT	*	*			
01	Q1160013	GASKET, CYL. HEAD	1	1			
02	Q1160011	GASKET	1	1			
03	Q1160016	GASKET	1	1			
04	Q1210015	SEAL, VALVE STEM	8	8			
05	Q1150004	GSAKET, ROCKER	1	1			
06	Q1550005	GASKET	*	*			
07	Q1300030	GASKET, GEAR	*	*			
08	Q1300014	GASKET	1	1			
09	Q1300021	GASKET, REAR	1	1			
10	Q0650003	GASKET, OIL PAN	2	2			
11	Q0650006	GASKET	*	*			
12	Q0650005	O-RING, LEVEL GAGUE	1	1			
13	Q1100043	GASKET	1	1			
14	Q1600006	GASKET, IN. MANIFOLD	1	1			
15	Q1300015	GASKET	1	1			
16	Q0650004	GASKET	1	1			
17	Q1350023	GASKET, WATER	1	1			
18	Q1350007	GASKET, WATER	1	1			
19	Q1350012	GASKET	1	1			
20	Q1350010	GASKET	1	1			
21	Q1250008	GASKET, NOZZLE	1	1			
22	Q1250007	GASKET	2	2			
23	Q1250015	GASKET	2	2			
24	Q1250016	GASKET, INJ. PUNP	1	1			
25	Q1400005	GASKET	1	1			
26	Q1400007	GASKET	1	1			
27	Q1650003	GASKET	1	1			
28	S80207512	O-RING	1	1			
29	Q1550023	GASKET	1	1			
30	Q1450031	U-SEAL	2	2			
31	Q1450038	GASKET, OIL PAN A	1	1			
32	Q1450039	GASKET, OIL PAN B	1	1			
33	Q1300025	GASKET	*	*			
34	Q1450014	GASKET	*	*			