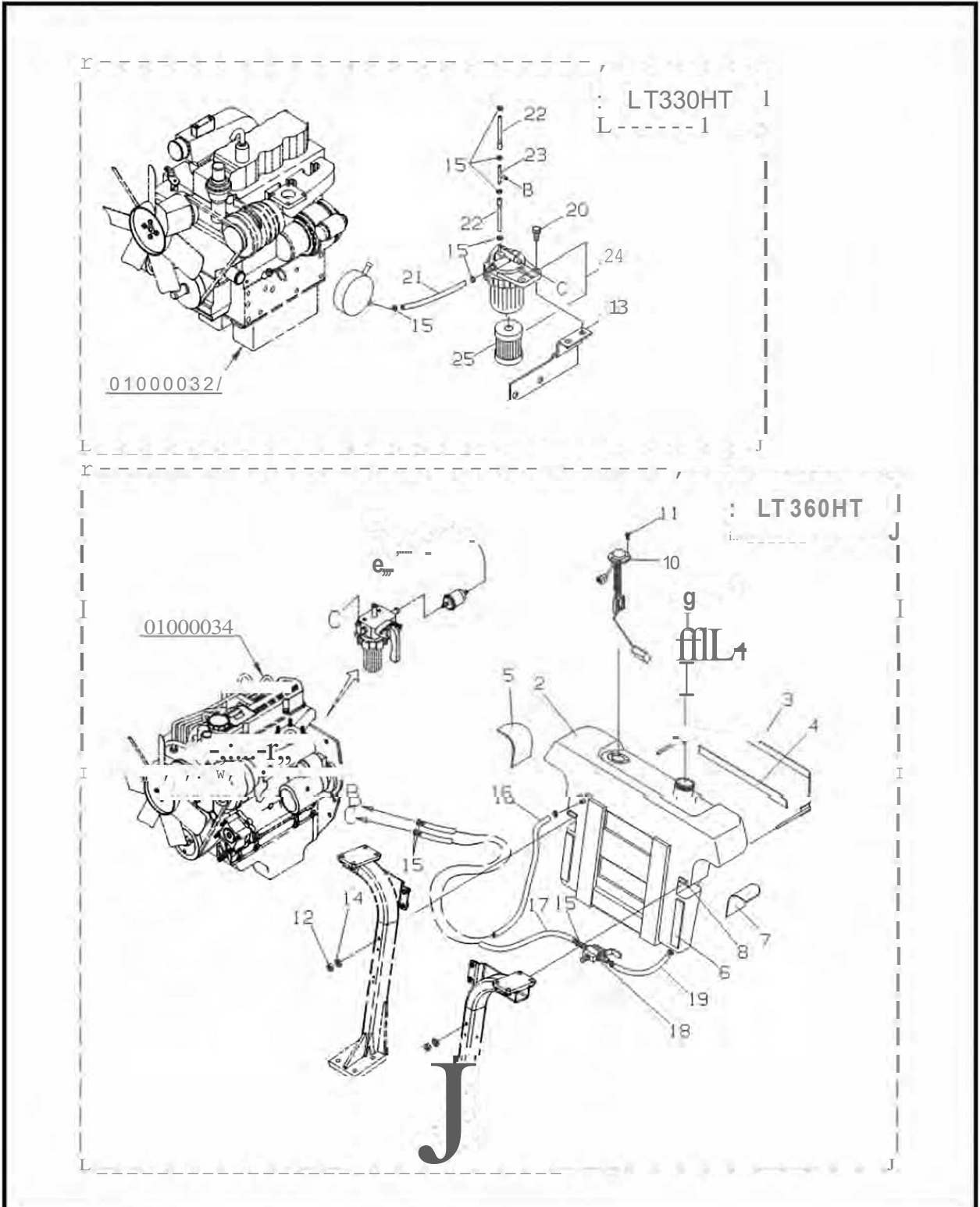


Part List

- **LT330HST**
- **LT360HST**

FUEL SYSTEM(040)

FIG. 2-1



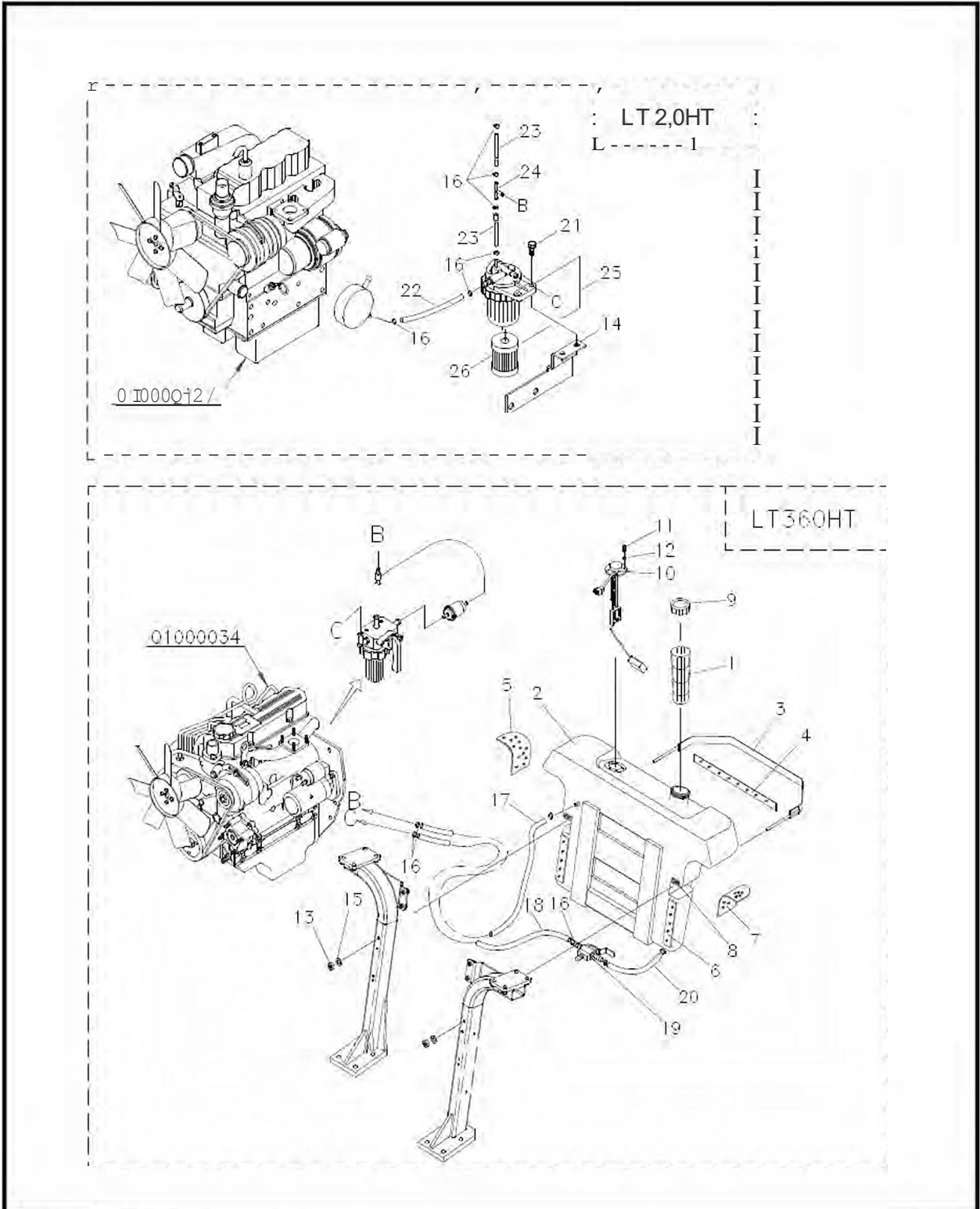
FUEL SYSTEM(040)

FIG. 2-1

KEY NO.	PART NO.	PART NAME & DESCRIPTION	MODEL & QTY		APPLI. NO.	REMARK
			330HT	360HT		
1-12	A1040139	FUEL TANK ASSY	1	1		
1	A1040052	STRAINER, FUEL TANK	1	1		
2	A1040085	TANK, FUEL	1	1		
3	A1040086	BAND, FUEL TANK	1	1		
4	A1040088	SPONGE	1	1		
5	A1040089	SPONGE(RH)	1	1		
6	A1040090	SPONGE	2	2		
7	A1040093	SPONGE(LH)	1	1		
8	A1040133	SPONGE	2	2		
9	A1040111	CAP ASSY, FUEL	1	1		
10	A1750176	GAUGE, FUEL	1	1		
11	S153051613	SCREW	5	5		M5x0.8x16L
12	A1877079	NUT, LOCK	2	2		M8x1 .25
13	A1040214	BRACKET, FUEL FILTER	1	•		
14	S365082013	WASHER, PLN	2	2		φ>8.4xφ>20x1 .6t
15	A1970380	CLAMP, HOSE	12	6		
16	A1040075	HOSE, FUEL	•	1		
	A1040097	HOSE, FUEL	1	•		
17	A1040104	HOSE, FUEL SUCTION	1	1		
18	A1040127	COCK, FUEL TANK	1	1		
19	A1040205	HOSE, FUEL FILTER	1	1		
20	S155082033	BOLT, HEX	2	•		
21	Q1250013	HOSE, FILTER	1	•		
22	A1040207	HOSE, FUEL	2	•		
23	A5001561	DISTRIBUTION NIPPLE	1	•		
24	A1040208	FUEL FILTER ASSY	1	•		
25	A1040209	ELEMENT, FUEL FILTER	1	•		

FUEL SYSTEM(040)

FIG. 2-1



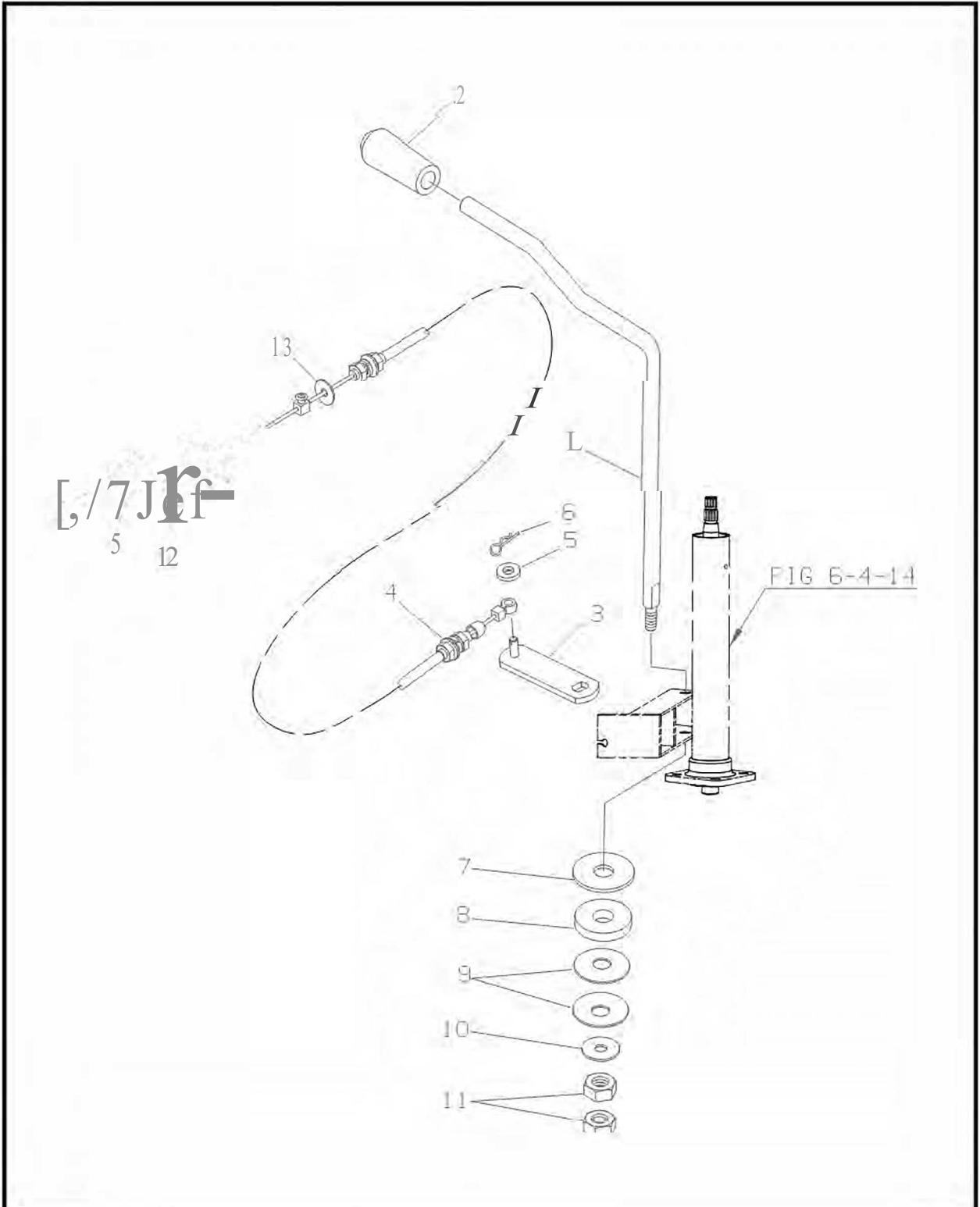
FUEL SYSTEM(040)

FIG. 2-1

KEY NO.	PART NO.	PART NAME & DESCRIPTION	MODEL & QTY		APPLI. NO.	REMARK
			330HT	360HT		
1-12	A1040139	FUEL TANK ASSY	1	1		
1	A1040052	STRAINER, FUEL TANK	1	1		
2	A1040085	TANK, FUEL	1	1		
3	A1040086	BAND, FUEL TANK	1	1		
4	A1040088	SPONGE	1	1		
5	A1040089	SPONGE(RH)	1	1		
6	A1040090	SPONGE	2	2		
7	A1040093	SPONGE(LH)	1	1		
8	A1040133	SPONGE	2	2		
9	A1040111	CAP ASSY, FUEL	1	1		
10	A1750176	GAUGE, FUEL	1	1		
11	S222501011	SCREW	5	5		M5x0.8x10L
12	S361050013	WASHER, SPR	5	5		<P5.1x<P9.2x1 .31
13	A1877079	NUT, LOCK	2	2		M8x1.25
14	A1040214	BRACKET, FUEL FILTER	1	0		
15	S365082013	WASHER, PLN	2	2		<P8.4x<P20x1 .6t
16	A1970310	CLAMP, HOSE	12	6		
17	A1040075	HOSE, FUEL	0	1		
	A1040097	HOSE, FUEL	1	0		
18	A1040104	HOSE, FUEL SUCTION	1	1		
19	A1040127	COCK, FUEL TANK	1	1		
20	A1040205	HOSE, FUEL FILTER	1	1		
21	S155082033	BOLT, HEX	2	0		
22	A1040206	HOSE, FILTER	1	0		
23	A1040207	HOSE, FUEL	2	0		
24	A5001561	DISTRIBUTION NIPPLE	1	0		
25	A1040208	FUEL FILTER ASSY	1	0		
26	A1040209	ELEMENT, FUEL FILTER	1	0		

ENGINE CONTROL(100)

FIG. 2-2



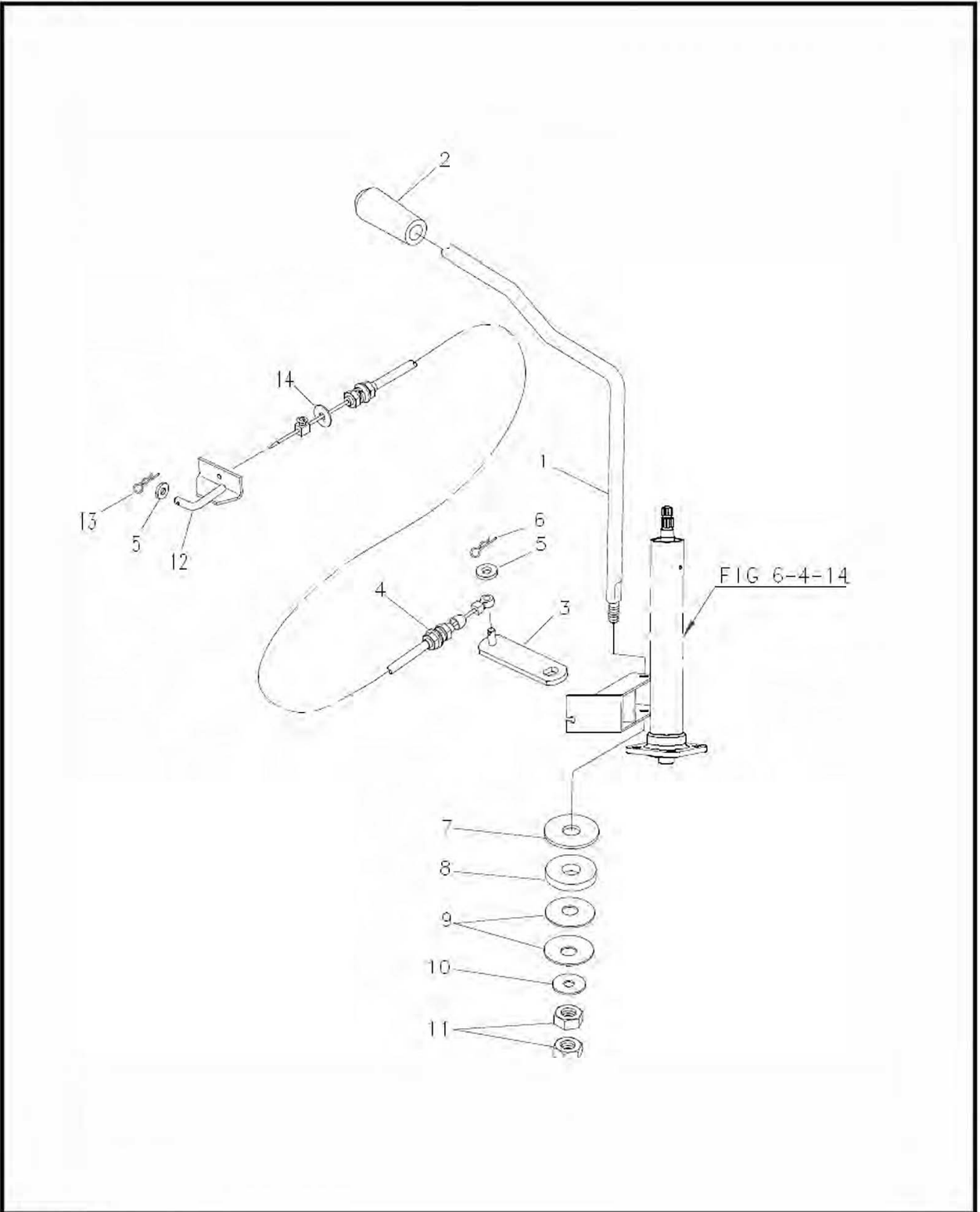
ENGINE CONTROL.(100)

FIG. 2-2

KEY NO.	PART NO.	PART NAME & DESCRIPTION	MODEL & QTY		APPLI. NO.	REMARK
			330HT	360HT		
1	A1100052	LEVER, ENG.ACCELERATOR	1	1		
2	A0710037	GRIP	1	1		
3	A1100076	ARM, ENGINE CONTROL	1	1		
4	A1100054	WIRE, ACCELERATOR LEVER	•	1		
	A1100105	WIRE, ACCELERATOR LEVER	1	•		
5	A1970286	WASHER, PLASTIC	2	2		
6	S443060013	PIN, SNAP	1	2		
7	A1100058	PLATE, FRICTION	1	1		
8	S364120013	WASHER, PLAIN	1	1		
9	S373120023	SPRING, PLATE	2	2		
10	S364080013	WASHER, PLAIN	1	1		
11	S313080013	NUT, HEX	2	2		
12	A1100059	ROD, E/G CONTROL	•	1		
13	S365051613	WASHER	•	1		

ENGINE CONTROL(100)

FIG. 2-2



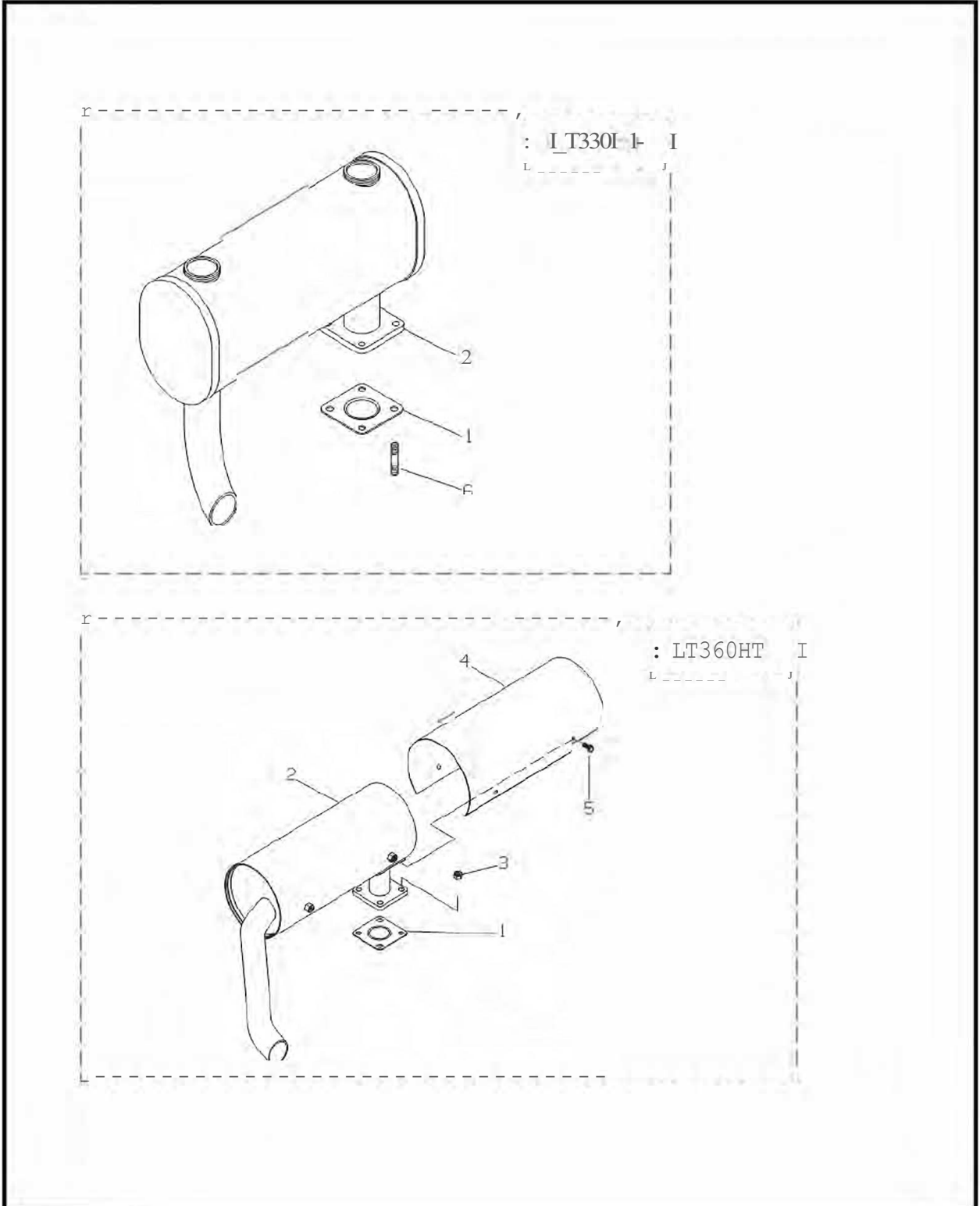
ENGINE CONTROL(100)

FIG. 2-2

KEY NO.	PART NO.	PART NAME & DESCRIPTION	MODEL & QTY		APPLI. NO.	REMARK
			330HT	360HT		
1	A1100052	LEVER, ENG.ACCELERATOR	1	1		
2	A0710037	GRIP	1	1		
3	A1100076	ARM, ENGINE CONTROL	1	1		
4	A1100054	WIRE, ACCELERATOR LEVER	1	1		
5	A1970286	WASHER, PLASTIC	2	2		
6	S443060013	PIN, SNAP	1	1		
7	A1100058	PLATE, FRICTION	1	1		
8	S364120013	WASHER, PLAIN	1	1		
9	S373120023	SPRING, PLATE	2	2		
10	S364080013	WASHER, PLAIN	1	1		
11	S313080013	NUT, HEX	2	2		
12	A1100059	ROD, E/G CONTROL	1	1		
13	S443060013	PIN, SNAP	1	1		
14	S365051613	WASHER	1	1		

MUFFLER(150)

FIG. 2-3



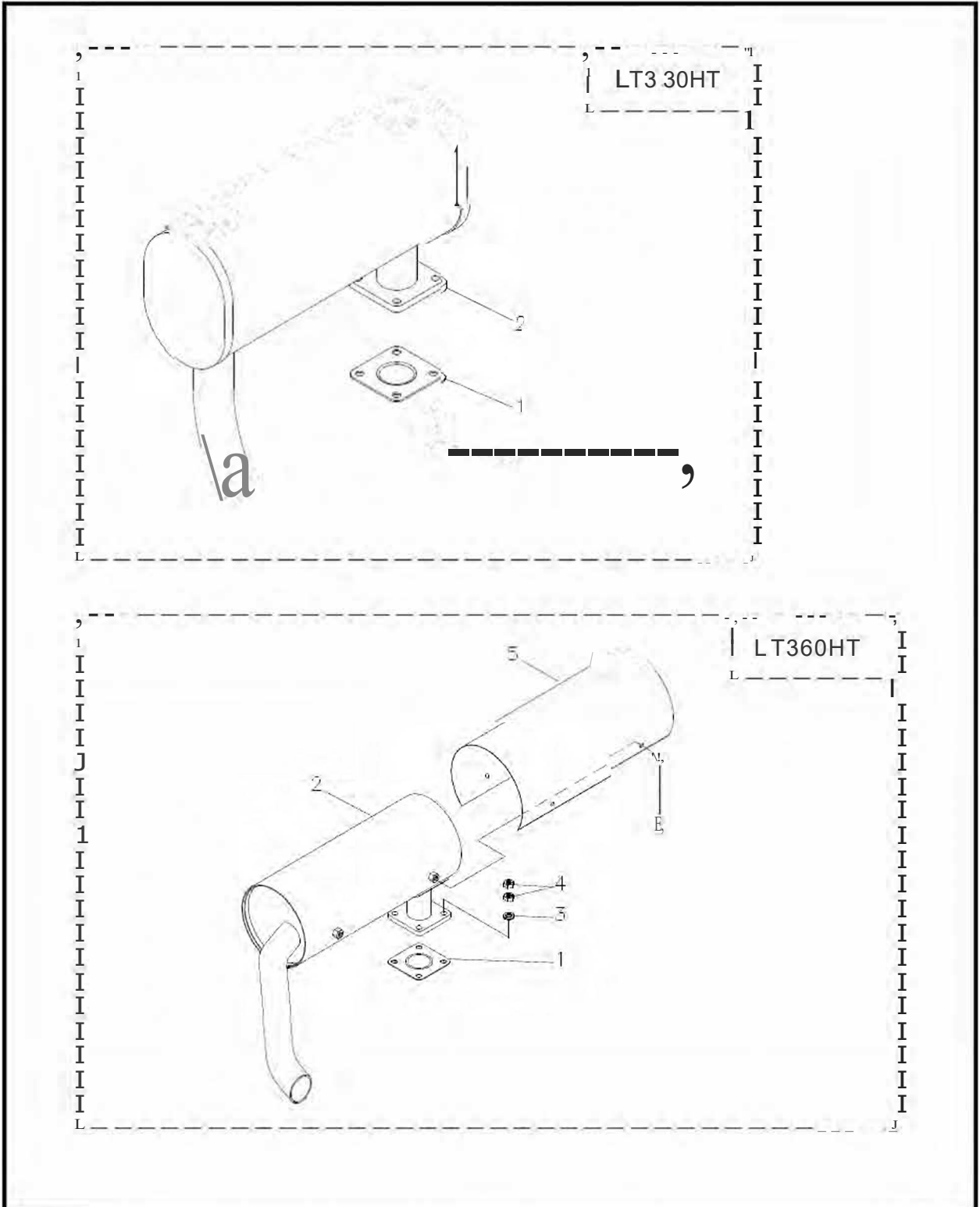
MUFFLER(150)

FIG. 2-3

KEY NO.	PART NO.	PART NAME & DESCRIPTION		MODEL & QTY		APPLI. NO.	REMARK
				330HT	360HT		
1	A1151101	GASKET, MUFFLER		•	1		
	A1151125	GASKET, MUFFLER		1	•		
2	A1151140	MUFFLER		•	1		
	A1151124	MUFFLER		1	•		
3	S345080013	NUT, HEX. FLANGE	M8x1.25	4	4		
4	A1151103	COVER, MUFFLER		•	1		
5	S159061233	BOLT, HEX. W/WASHER	M6x1.0x12L	•	4		
6	S139082523	BOLT, STUD	M8x1.25	4	•		

MUFFLER(150)

FIG. 2-3



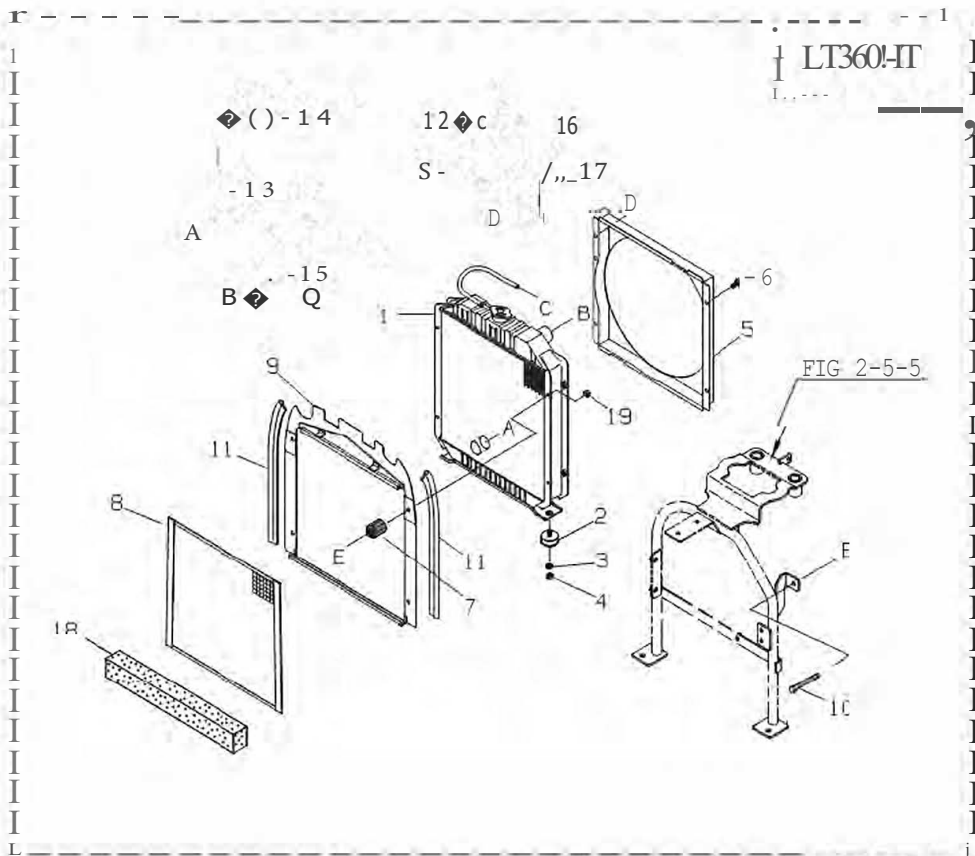
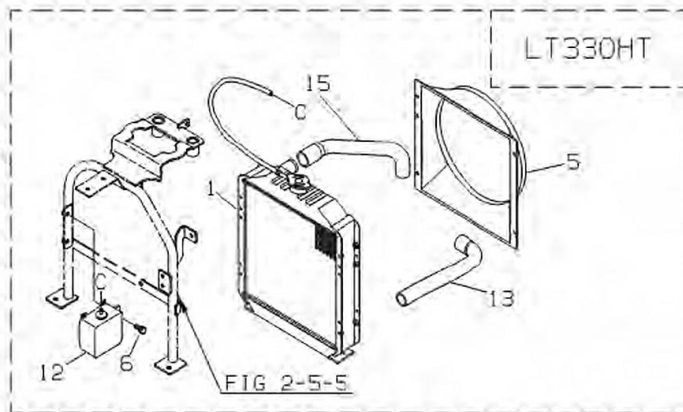
MUFFLER(150)

FIG. 2-3

KEY NO.	PART NO.	PART NAME & DESCRIPTION		MODEL & QTY		APPLI. NO.	REMARK
				330HT	360HT		
1	A1151101	GASKET, MUFFLER		•	1		
	A1151125	GASKET, MUFFLER		1	•		
2	A1151102	MUFFLER		•	1		
	A1151124	MUFFLER		1	•		
3	S345080013	NUT, HEX. FLANGE	M8x1 .25	4	4		
4	A1151103	COVER, MUFFLER		•	1		
5	S159061233	BOLT, HEX W/WASHER	M6x1.0x12L	•	4		
6	S139082523	BOLT, STUD	M8x1.25	4	•		

RADIATOR(170)

FIG. 2-4



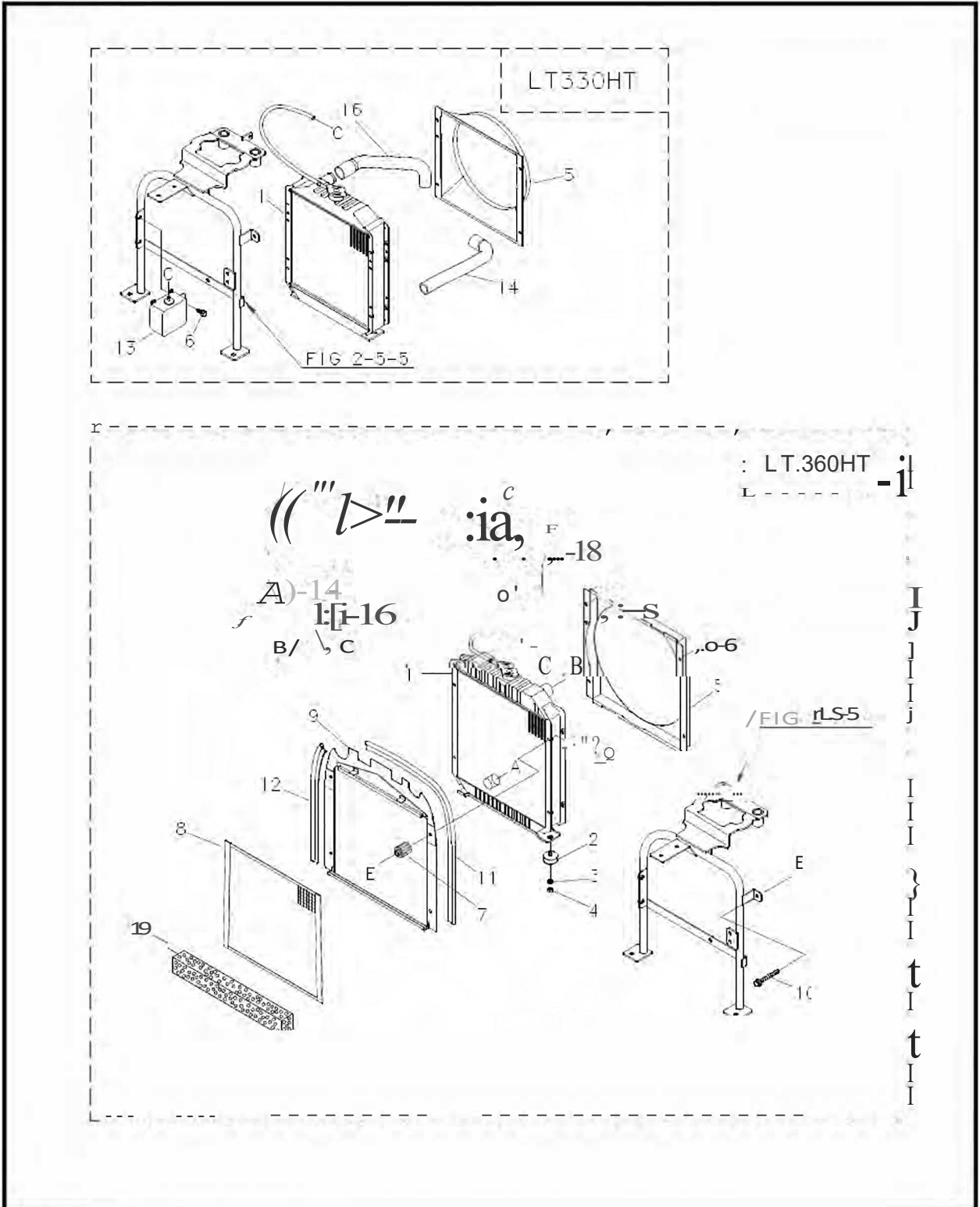
RADIATOR(170)

FIG. 2-4

KEY NO.	PART NO.	PART NAME & DESCRIPTION		MODEL & QTY		APPLI. NO.	REMARK
				330HT	360HT		
1	A1170076	RADIATOR		•	1		
	A1170223	RADIATOR		1	•		
2	A1970360	RUBBER, DAMP MOUNT		2	2		
3	S361100013	WASHER, SPRING	<1>10.2x<P18.4x2.5t	2	2		
4	S302100013	NUT, HEX.	M10x1.25	2	2		
5	A1170192	SHROUD, FAN		•	1		
	A1170196	SHROUD, FAN		1	•		
6	S155082033	BOLT, HEX. W/WASHER	M8x1 .25x20L	6	7		
7	A1970258	RUBBER, CUSHION		1	1		
8	A1170221	NET SCREEN, RADIATOR		1	1		
9	A1170224	PALTE, RADIATOR		1	1		
10	S105086533	BOLT, HEX	M8x1 .25x65L	1	1		
11	A1170095	STRIP, WEATHER		2	2		
12	A1170031	TANK, RESERVOR		1	1		
13	A1170082	HOSE, OUTLET		•	1		
	A1170195	HOSE, WATER LOWER		1	•		
14	A1970201G	CLAMP, HOSE		4	4		
15	A1170083	HOSE, INLET		•	1		
	A1170191	HOSE, WATER UPPER		1	•		
16	A1170099	PLATE		•	1		
17	S155082033	BOL♦HEX.W/WASHER	M8x1 .25x20L	•	2		
18	A1170102	SEAL, RADIATOR AIR		1	1		
19	S311080013	NUT	M8x1.25	1	1		

RADIATOR(170)

FIG. 2-4



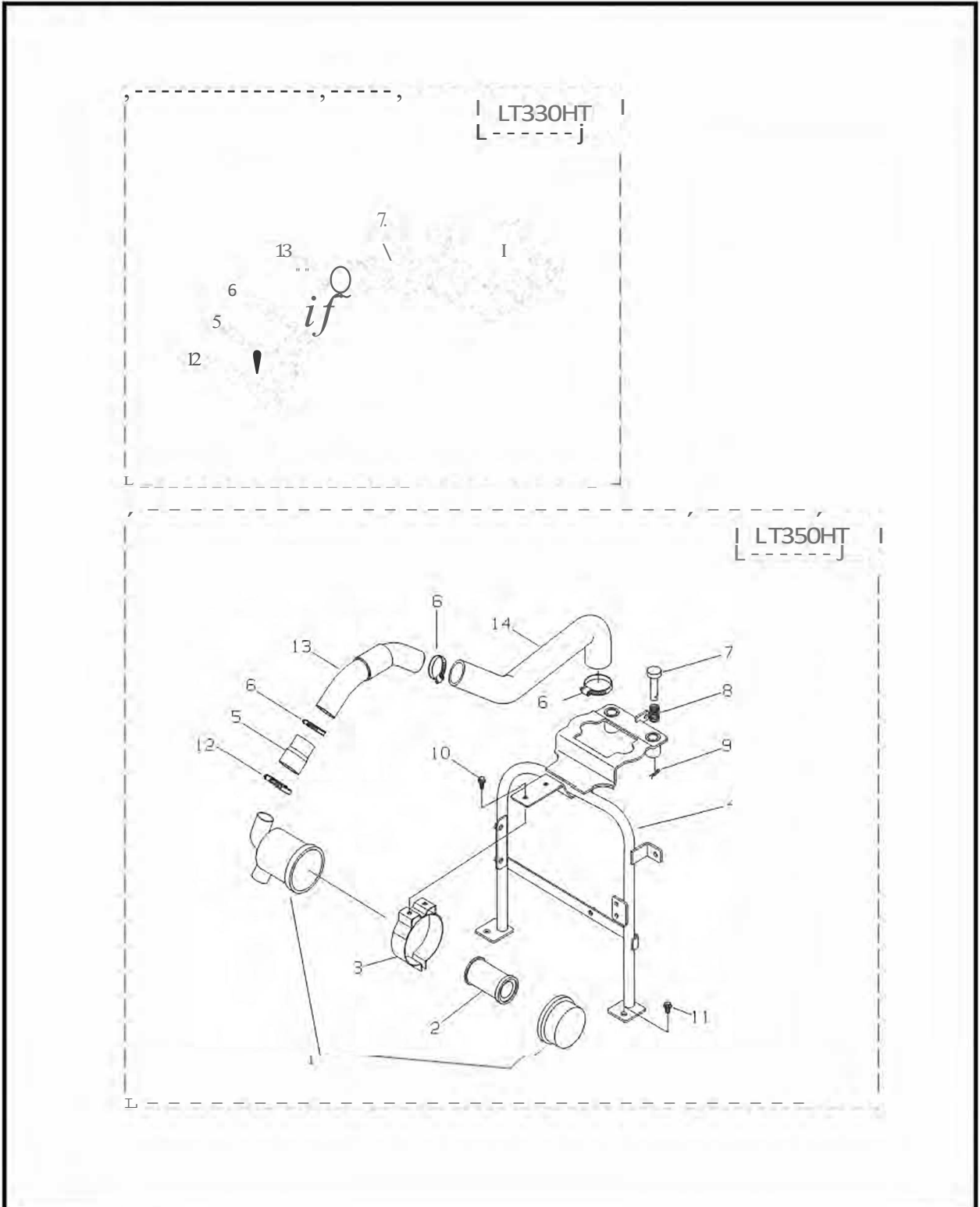
RADIATOR(170)

FIG. 2-4

KEY NO.	PART NO.	PART NAME & DESCRIPTION		MODEL & QTY		APPLI. NO.	REMARK
				330HT	360HT		
1	A1170076	RADIATOR		*	1		
	A1170223	RADIATOR		1	*		
2	A1970360	RUBBER, DAMP MOUNT		2	2		
3	S361100013	WASHER, SPRING	Φ10.2xΦ18.4x2.5t	2	2		
4	S302100013	NUT, HEX.	M10x1.25	2	2		
5	A1170192	SHROUD, FAN		*	1		
	A1170196	SHROUD, FAN		1	*		
6	S155082033	BOLT, HEX. W/WASHER	M8x1.25x20L	6	7		
7	A1970258	RUBBER, CUSHION		1	1		
8	A1170221	NET SCREEN, RADIATOR		1	1		
9	A1170224	PALTE, RADIATOR		1	1		
10	S151086533	BOLT, HEX	M10x1.5x65L	1	1		
11	A1170101	STRIP, WEATHER		1	1		
12	A1170095	STRIP, WEATHER		1	1		
13	A1170031	TANK, RESERVOR		1	1		
14	A1170082	HOSE, OUTLET		*	1		
	A1170195	HOSE, WATER LOWER		1	*		
15	A1970201H	CLAMP, HOSE		4	4		
16	A1170083	HOSE, INLET		*	1		
	A1170191	HOSE, WATER UPPER		1	*		
17	A1170099	PLATE		*	1		
18	S155082033	BOLT, HEX. W/WASHER	M8x1.25x20L	*	2		
19	A1170102	SEAL, RADIATOR AIR		1	1		
20	S311080013	NUT	M8x1.25	1	1		

AIR CLEANER(190)

FIG. 2-5



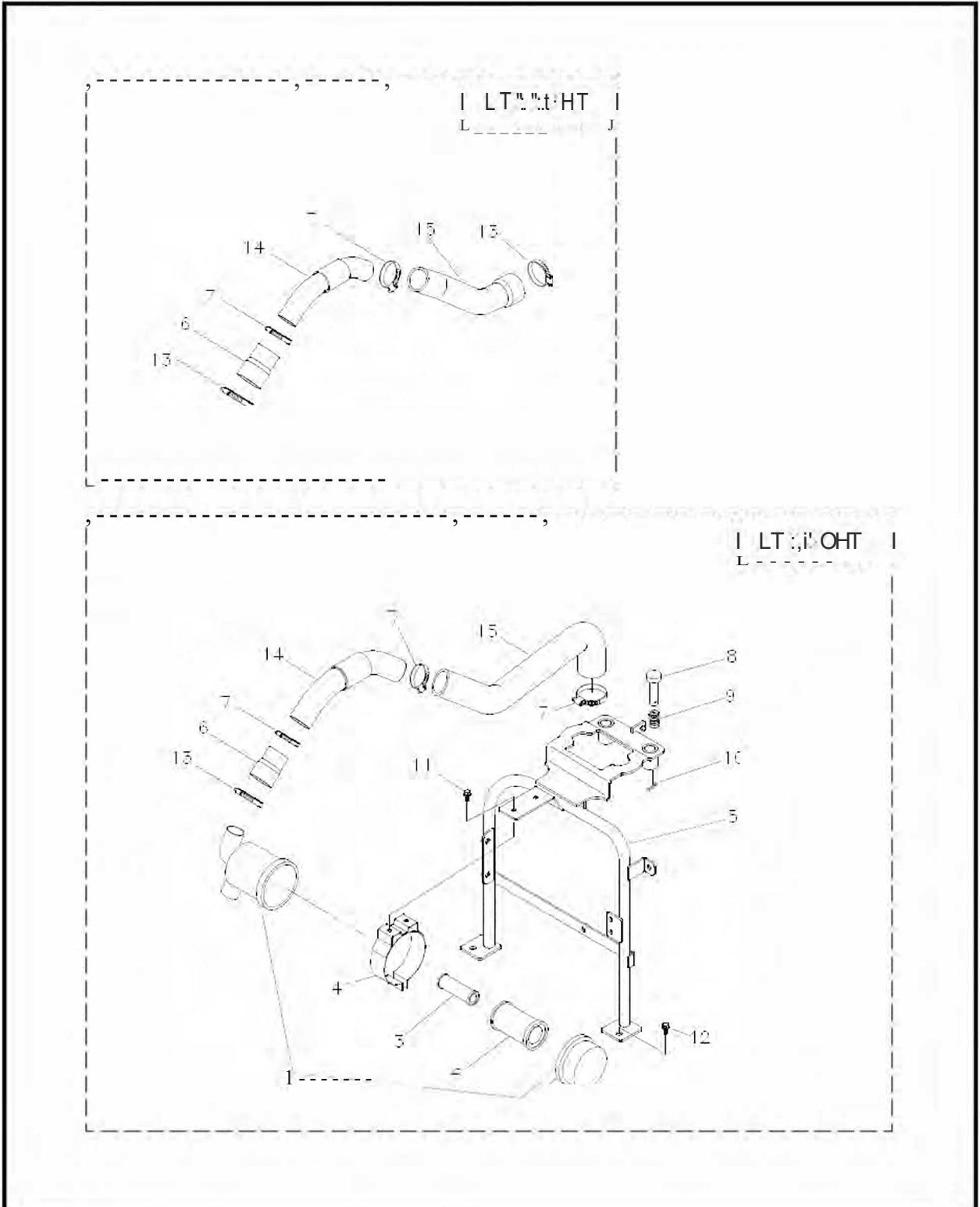
AIR CLEANER(190)

FIG. 2-5

KEY NO.	PART NO.	PART NAME & DESCRIPTION		MODEL & QTY		APPLI. NO.	REMARK
				330HT	360HT		
1-2	A1190110	AIR CLEANER ASSY		1	1		
1	A1190117	BODY ASSEMBLY		1	1		
2	A1190111	FILTER CARTRIDGE, PRIM.		1	1		
3	A1190113	BAND, AIR CLEANER		1	1		
4	A1190146	SUPPORT, AIR CLEANER		1	1		
5	A1190151	HOSE B, AIR INTAKE		1	1		
6	A1970201H	CLAMP, HOSE		2	3		
7	A1830261	DAMPER		2	2		
8	A0690127	SPRING		2	2		
9	S443120013	PIN,SNAP		2	2		
10	S155082033	BOLT,HE>CW/WASHER	M8x1 .25x20L	2	2		
11	S154103533	BOLT, HEX.	M10x1 .25x35L	2	2		
12	A1970201J	CLAMP, HOSE		2	1		
13	A1190154	JOINT B, HOSE		•	1		
	A1190152	JOINT A, HOSE		1	•		
14	A1190153	HOSE C, AIR INTAKE		•	1		
	A1190150	HOSE A, AIR INTAKE		1	•		

AIR CLEANER(190)

FIG. 2-5



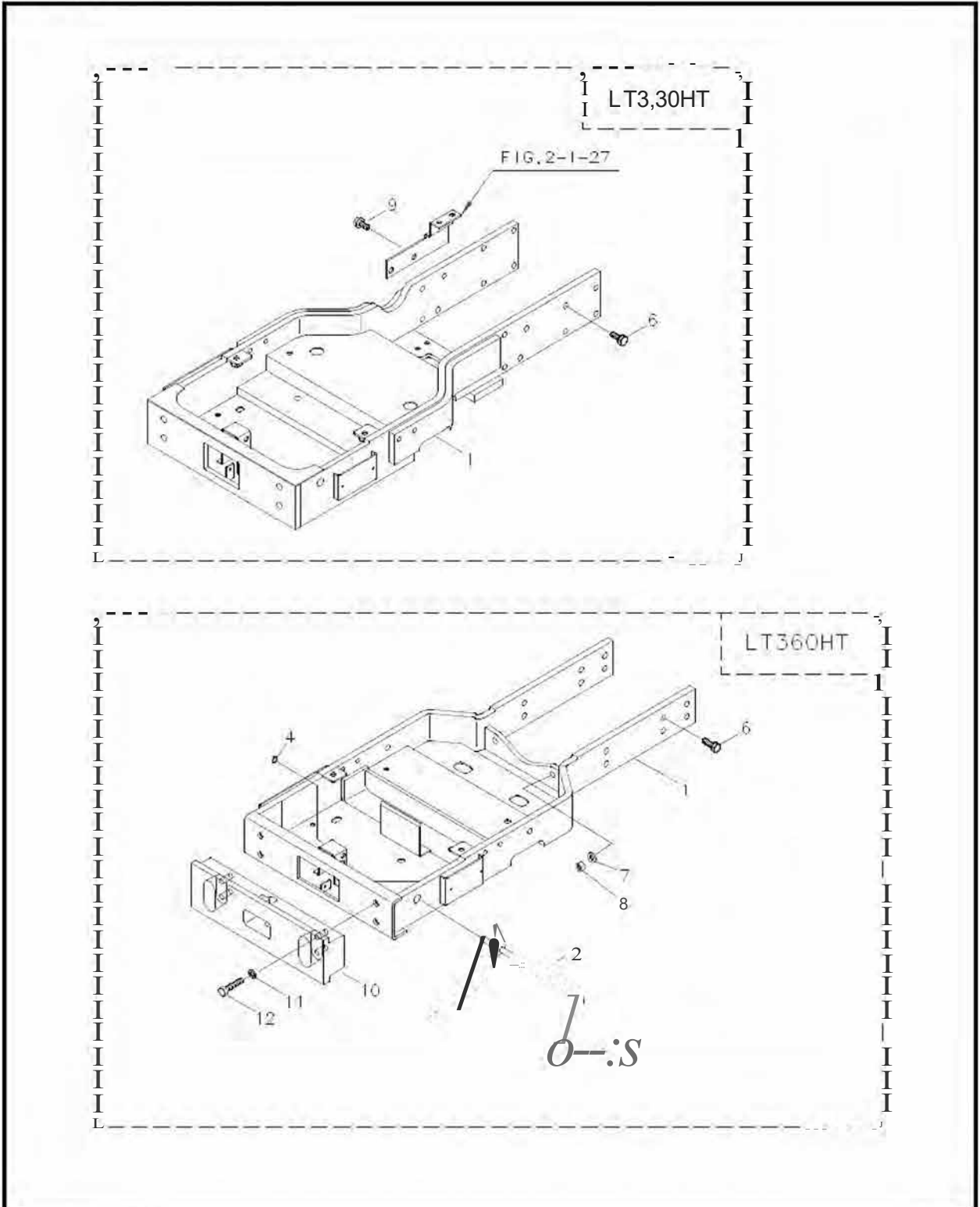
AIR CLEANER(190)

FIG. 2-5

KEY NO.	PART NO.	PART NAME & DESCRIPTION	MODEL & QTY		APPLI. NO.	REMARK
			330HT	360HT		
1-3	A1190110	AIR CLEANER ASSY	1	1		
1	A1190117	BODY ASSEMBLY	1	1		
2	A1190111	FILTER CARTRIDGE, PRIM.	1	1		
3	A1190112	FILTER CARTRIDGE, SAFE.	1	1		
4	A1190113	BAND, AIR CLEANER	1	1		
5	A1190146	SUPPORT, AIR CLEANER	1	1		
6	A1190151	HOSE B, AIR INTAKE	1	1		
7	A1970201H	CLAMP, HOSE	2	3		
8	A1830261	DAMPER	2	2		
9	A0690127	SPRING	2	2		
10	S443120013	PIN.SNAP	2	2		
11	S155082033	BOLT,HEX.W/WASHER	M8x1.25x20L	2	2	
12	S154103533	BOLT, HEX.	M10x1.25x35L	2	2	
13	A1970201K	CLAMP, HOSE	2	1		
14	A1190154	JOINT B, HOSE	•	1		
15	A1190152	JOINT A, HOSE	1	•		
	A1190153	HOSE C, AIR INTAKE	•	1		
	A1190150	HOSE A, AIR INTAKE	1	•		

ENGINE FRAME(21 O)◆---

FIG. 2-6



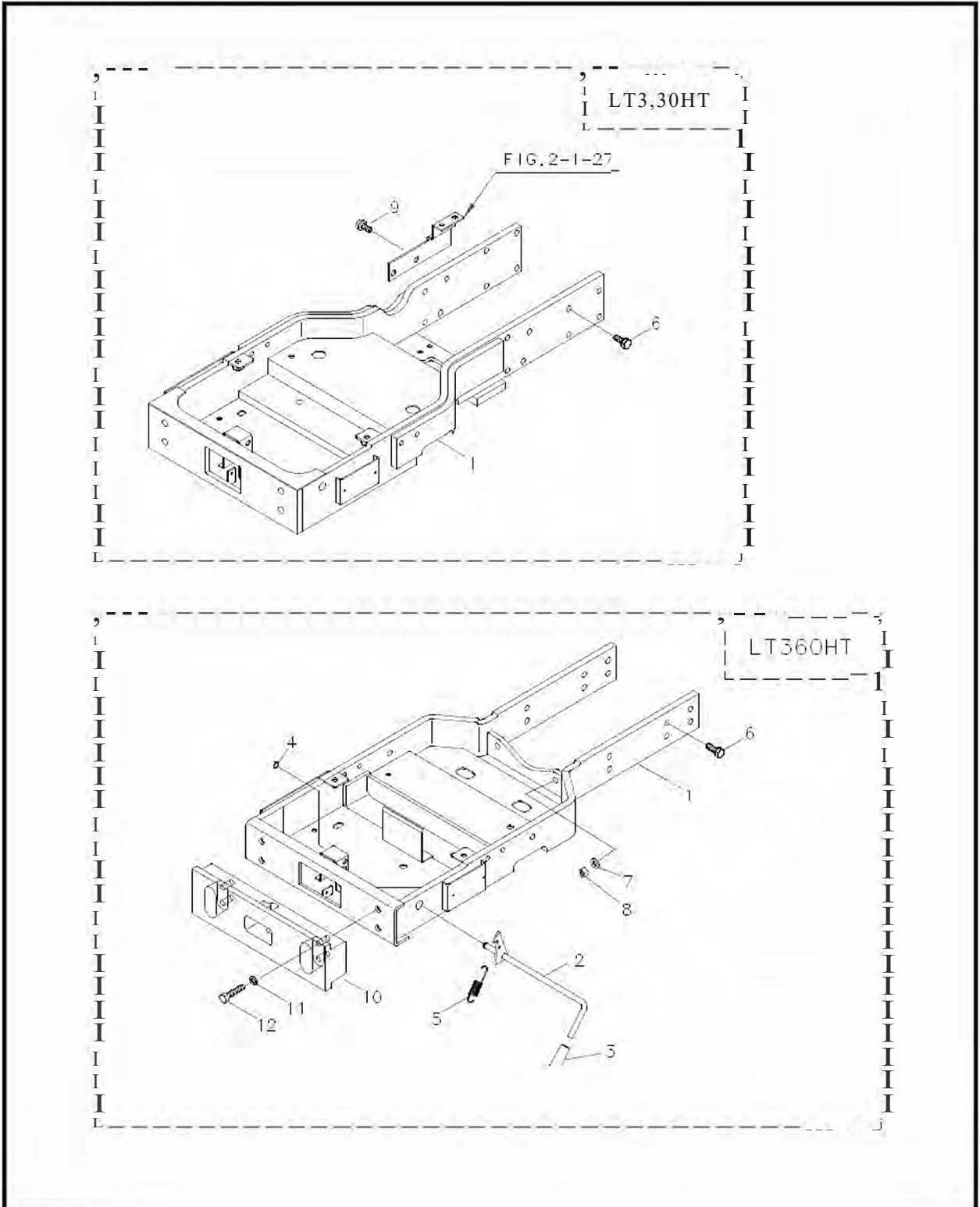
ENGINE FRAME(210)

FIG. 2-6

KEY NO.	PART NO.	PART NAME & DESCRIPTION		MODEL & QTY		APPLI. NO.	REMARK
				330HT	360HT		
1	A1210108	FRAME, ENGINE		•	1		
	A1210103	FRAME, ENGINE		1	•		
2	A1830229	HOOK, GRILL		1	1		
3	A0710037	GRIP		1	1		
4	sa-10012001	RING,SNAP	4>12x1 .0t	1	1		
5	A1830248	SPRING		1	1		
6	S154123533	BOLT, HEX.	M12x1.25x35L	15	12		
7	S361120013	WASHER, SPRING	4>12.2x4>21.5x3.0t	•	2		
8	S314120013	NUT, HEX.	M12x1.25	•	2		
9	S154103533	BOLT, HEX.	M10x1.25x35L	1	•		
10	A1215029	BUMPER		1	1		
11	S361140013	WASHER, SPRING	4>14.2x4>24.5x3.5t	4	4		
12	S103149043	BOLT, HEX.	M14x1.5x90L	4	4		

ENGINE FRAME(210)

FIG. 2-6



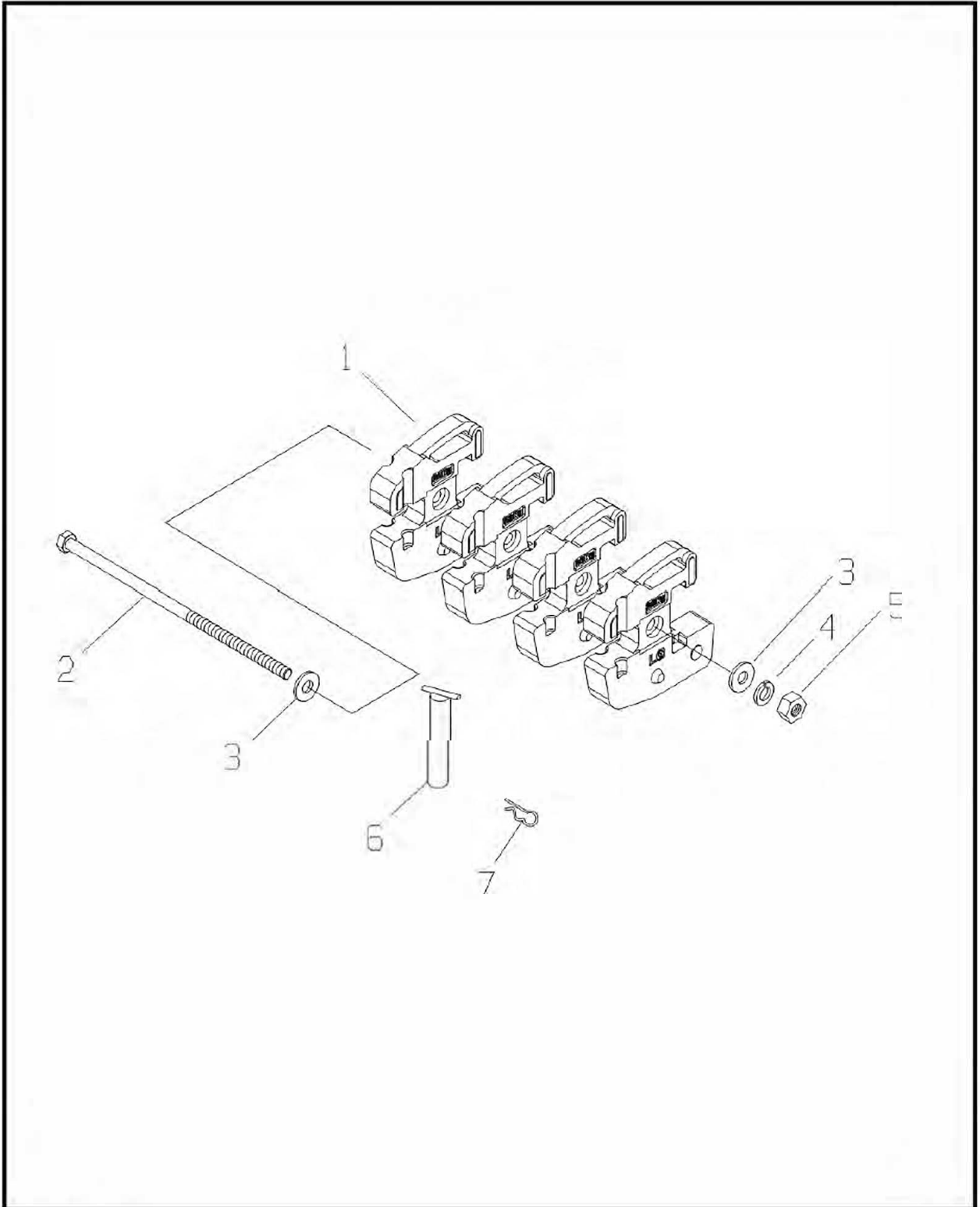
ENGINE FRAME(210)

FIG. 2-6

KEY NO.	PART NO.	PART NAME & DESCRIPTION	MODEL & QTY		APPLI. NO.	REMARK
			330HT	360HT		
1	A1210108	FRAME, ENGINE		• 1		
	A1210103	FRAME, ENGINE		1 •		
2	A1830229	HOOK, GRILL		1 1		
3	A0710037	GRIP		1 1		
4	S810120001	RING,SNAP	4-12x1 .0t	1 1		
5	A1830248	SPRING		1 1		
6	S154123533	BOLT, HEX.	M12x1.25x35L	15 12		
7	S361120013	WASHER, SPRING	4-12.2x4>21.5x3.0t	• 2		
8	S314120013	NUT, HEX.	M12x1.25	• 2		
9	S154103533	BOLT, HEX.	M10x1.25x35L	1 •		
10	A1215012	BUMPER		1 1		
11	S361140013	WASHER, SPRING	4-14.2x4>24.5x3.5t	4 4		
12	S103149043	BOLT, HEX.	M14x1.5x90L	4 4		

FRONT BALLAST(215)

FIG. 2-7



FRONT BALLAST(215)

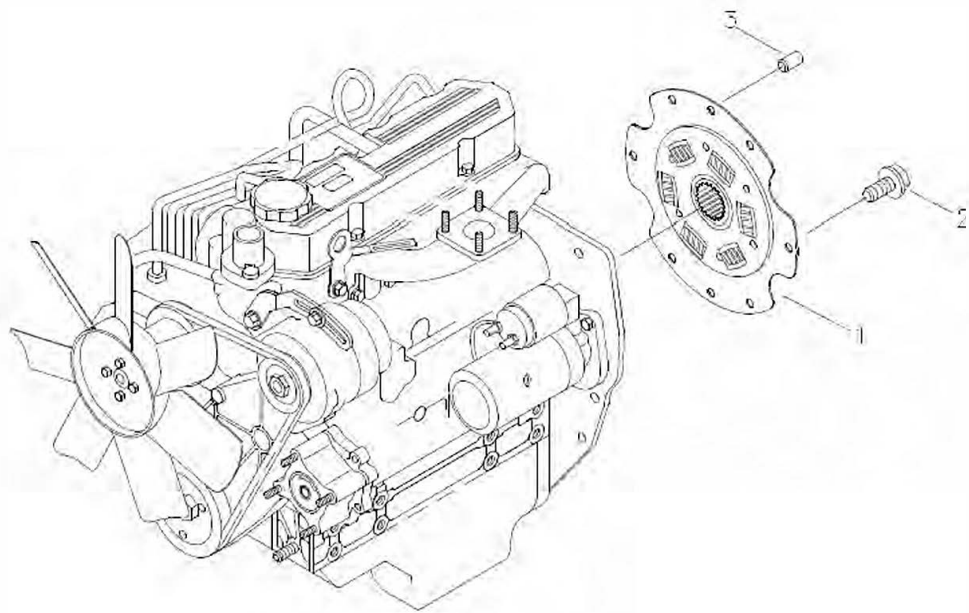
FIG. 2-7

VA

KEY NO.	PART NO.	PART NAME & DESCRIPTION		MODEL & QTY		APPLI. NO.	REMARK
				330HT	360HT		
1	A1215030	WEIGHT, FRONT	2Dkg/7R	4	4		
2	A1215028	BOLT, HEX.	M16x1.5	1	1		
3	3A0010847	WASHER, STOP	∅38x∅17x5t	2	2		
4	S361160013	WASHER, SPRING	∅28x∅16.2x4t	1	1		
5	S314160013	NUT, HEX	M16x1.5	1	1		
6	A1215031	PIN, FRONT HOOK		1	1		
7	A1970350	PIN, SNAP		1	1		

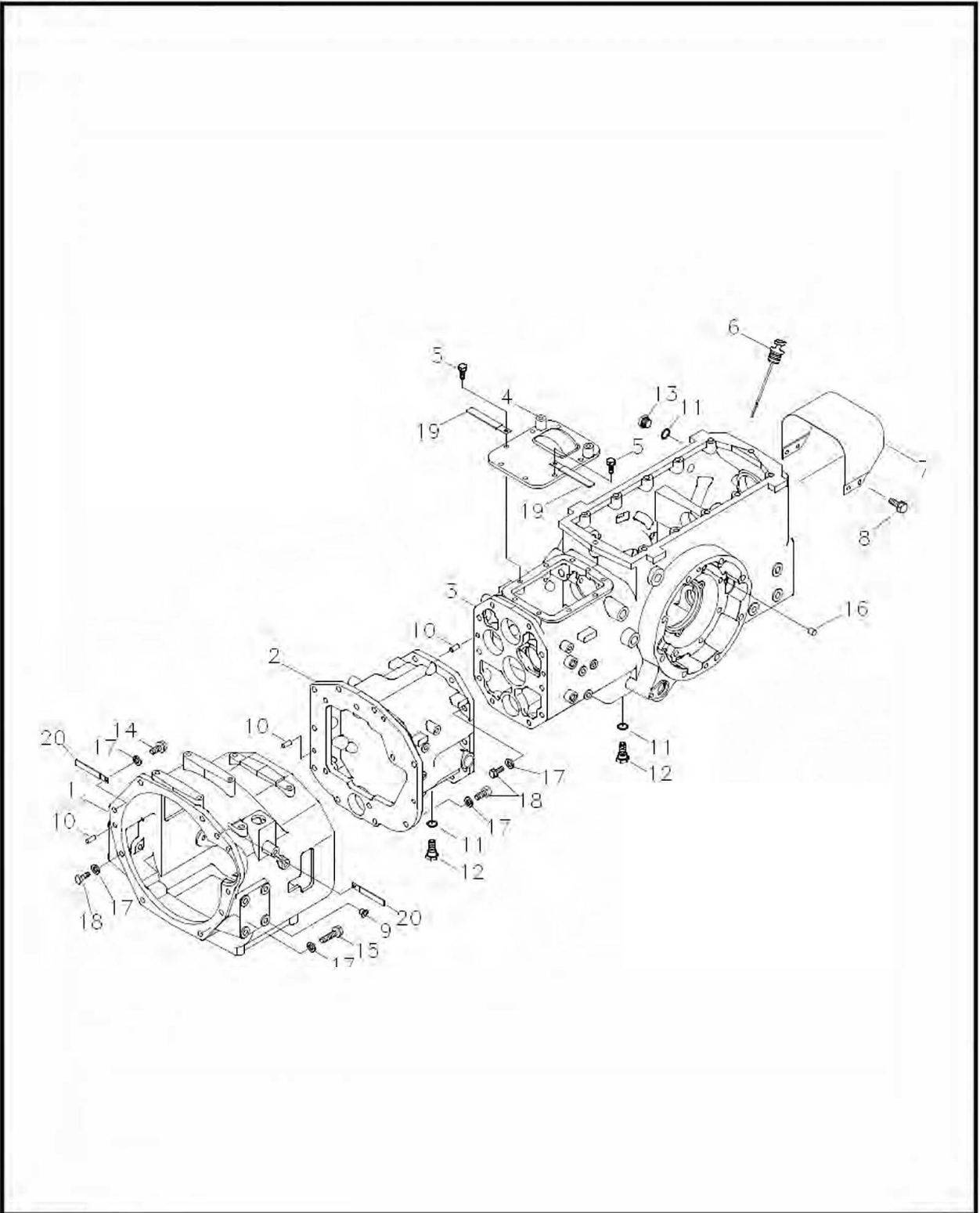
CLUTCH(250)

FIG. 3-1



TRANSMISSION CASE(250,280)

FIG. 3-2



TRANSMISSION CASE(250,280)

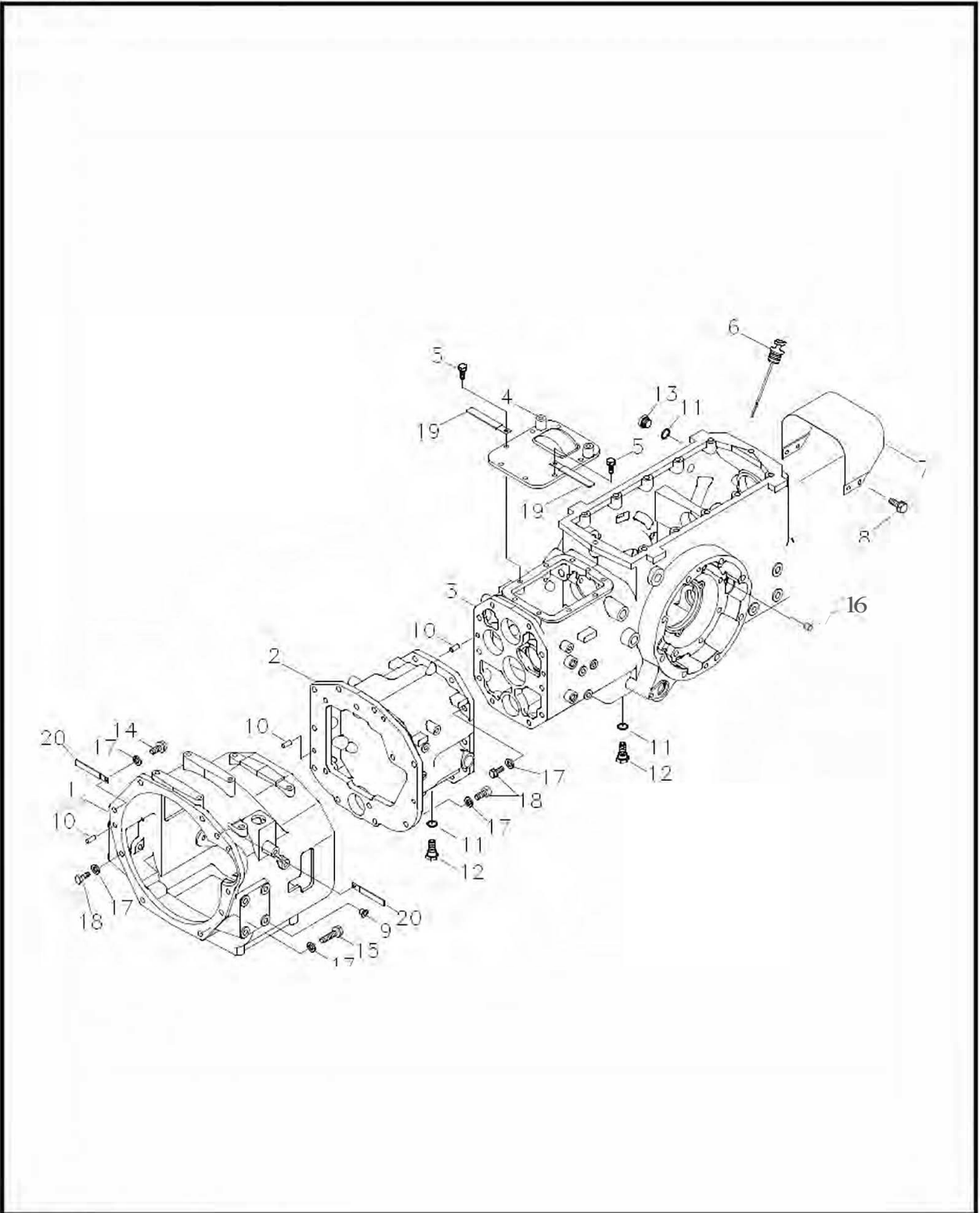
FIG. 3-2

EX

KEY NO.	PART NO.	PART NAME & DESCRIPTION	MODEL & QTY		APPLI. NO.	REMARK
			330HT	360HT		
1	A1280213	HOUSING, HST	1	1		
2	A1280156	CASE,CENTER	1	1		
3	A1280211	CASE,AXLE	1	1		
4	A1280160	COVER, AXLE CASE	1	1		
5	S154102533	BOLT, HEX M10x1.25x25L	8	8		
6	A1280161	GAUGE, OIL LEVEL	1	1		
7	A1280245	SHIELD, PTO	1	1		
8	S156102033	BOLT, HEX M10x1.25x20L	4	4		
9	3A1970068	PLUG	8	8		
10	S423102010	PIN.DOWEL D10x20L	6	6		
11	A10263360	SEAL ∅20x∅26x1.0t	3	3		
12	3A1250013	PLUG, MAGNET	2	2		
13	A0610281	PLUG, DRAIN	1	1		
14	S105123043	BOLT, HEX M12x1.75x30L	3	•		
15	S105128543	BOLT, HEX M12x1.75x85L	2	2		
16	S423102010	PIN, DOWEL ∅10x20L	4	4		
17	S361120013	WASHER, SPRING ∅12.2x∅21.5x3.0t	26	25		
18	S105123543	BOLT, HEX M12x1.75x35L	23	23		
19	A0640103	CLAMP, RING	2	2		
20	A0641020	CLAMP, RING	2	2		

TRANSMISSION CASE(250,280)

FIG. 3-2



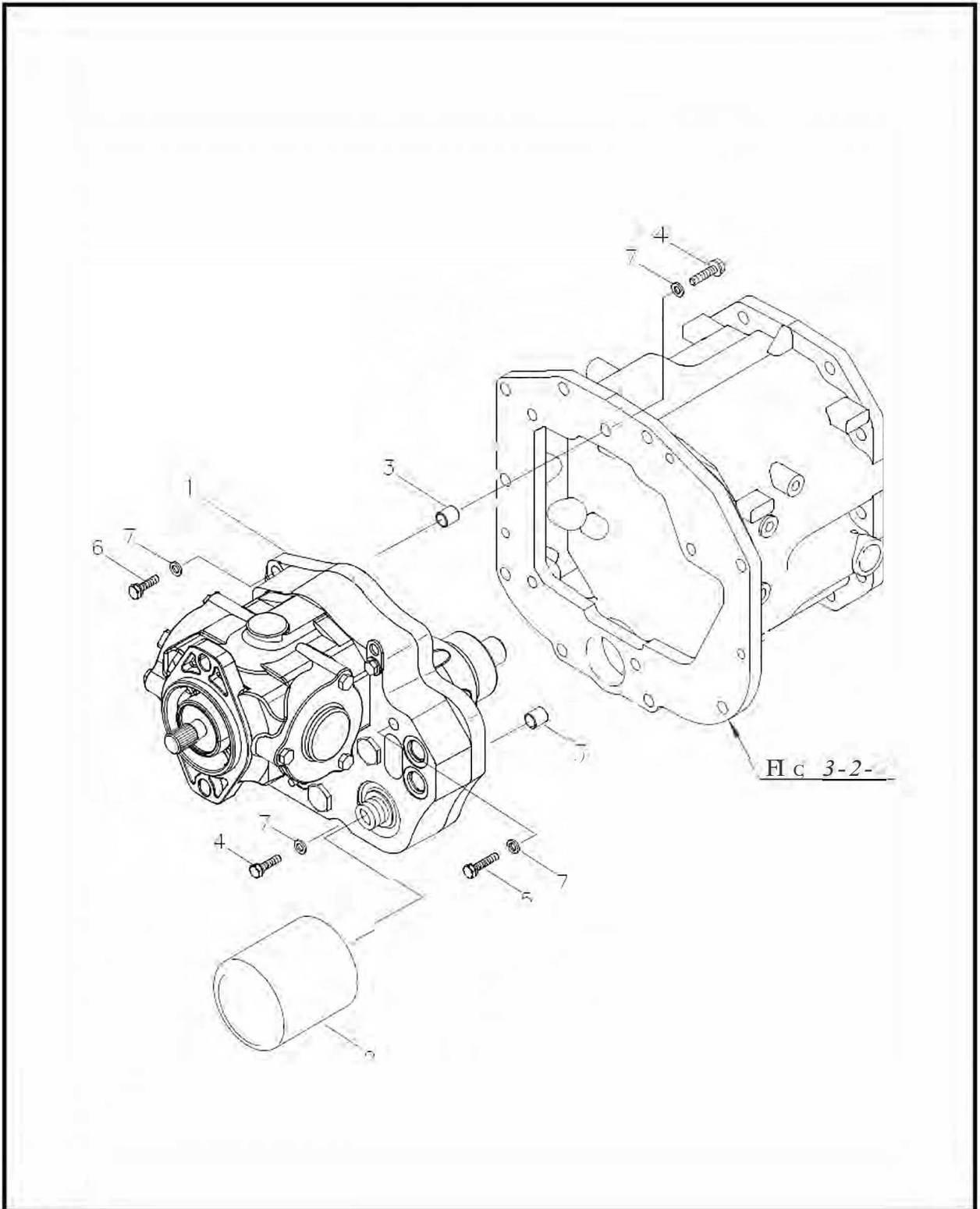
TRANSMISSION CASE(250,280)

FIG. 3-2

KEY NO.	PART NO.	PART NAME & DESCRIPTION	MODEL & QTY		APPLI. NO.	REMARK
			330HT	360HT		
1	A1280157	HOUSING, HST	1	1		
2	A1280156	CASE,CENTER	1	1		
3	A1280158	CASE,AXLE	1	1		
4	A1280160	COVER, AXLE CASE	1	1		
5	S154102533	BOLT, HEX M10x1.25x25L	8	8		
6	A1280161	GAUGE, OIL LEVEL	1	1		
7	A1280102	COVER, PTO	1	1		
8	S156102033	BOLT, HEX M10x1.25x20L	4	4		
9	3A1970068	PLUG	8	8		
10	S423102010	PIN,DOWEL D10x20L	6	6		
11	A10263360	SEAL ∅20x∅26x1.0t	3	3		
12	3A1250013	PLUG, MAGNET	2	2		
13	A0610281	PLUG, DRAIN	1	1		
14	S105123043	BOLT, HEX M12x1.75x30L	3	2		
15	S105128543	BOLT, HEX M12x1.75x85L	2	2		
16	S423102010	PIN, DOWEL ∅10x20L	4	4		
17	S361120013	WASHER, SPRING ∅12.2x∅21.5x3.0t	26	25		
18	S105123543	BOLT, HEX M12x1.75x35L	23	23		
19	A0640103	CLAMP, RING	2	2		
20	A0641020	CLAMP, RING	2	2		

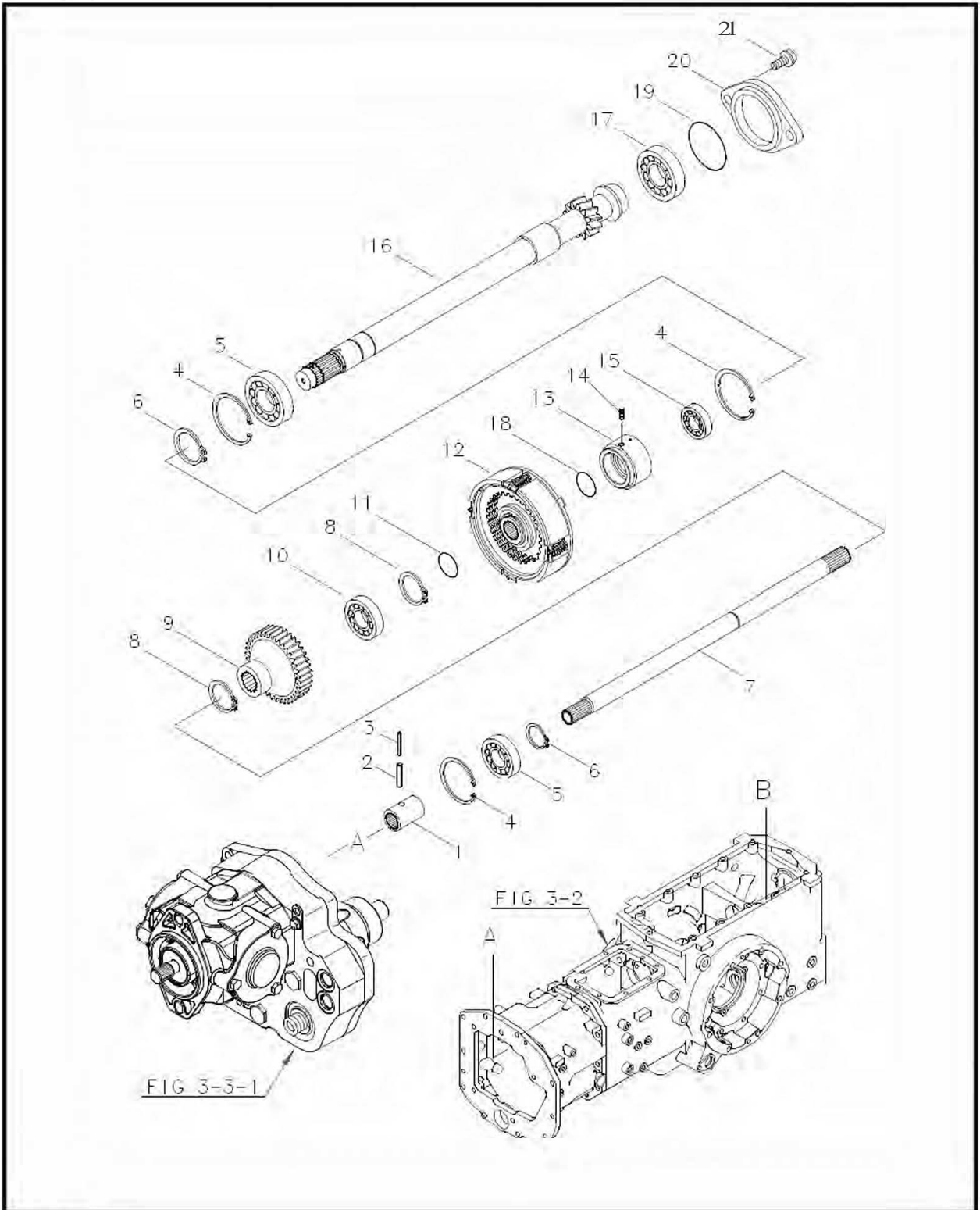
HST(270}

FIG. 3-3



P.T .0 CLUTCH(283,287)

FIG. 3-4



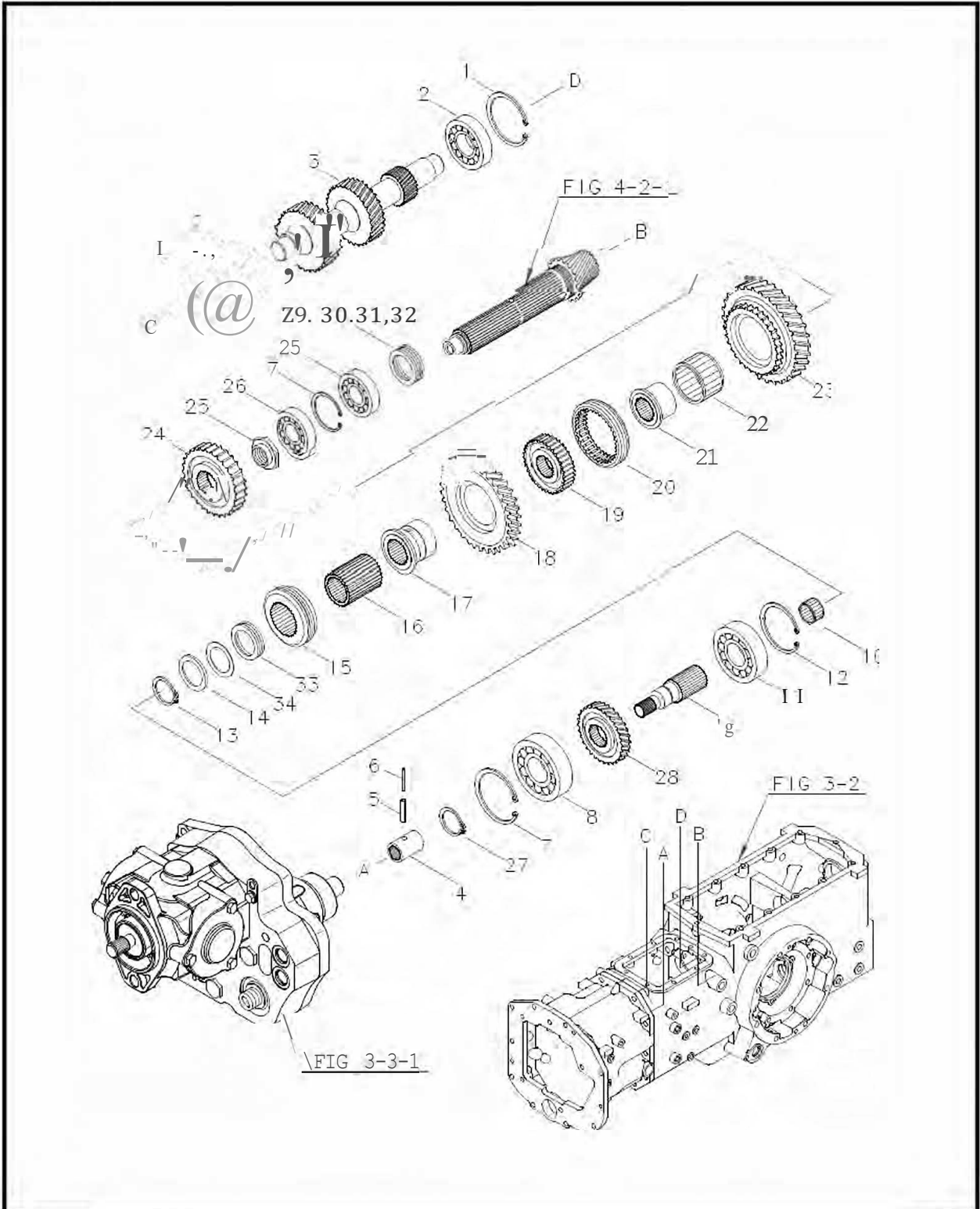
P.T .0 CLUTCH(283,287)

FIG. 3-4

KEY NO.	PART NO.	PART NAME & DESCRIPTION		MODEL & QTY		APPLI. NO.	REMARK
				330HT	360HT		
1-3	A1287271	COUPLING ASSY		1	1		
1	A1287270	COUPLING		1	1		
2	S446053610	PIN,SPRING	<1>5x36L	1	1		
3	S446033210	PIN,SPRING	<1>3x32L	1	1		
4	S811062001	RING,SNAP	<1>62x20t	2	2		
5	A0863050	BEARING, BALL	#6305	2	2		
6	S810025001	RING,SNAP	<1>25x1.2t	2	2		
7	A1287264	SHAFT, PTO DRIVE		1	1		
8	S810022001	RING,SNAP	<1>22x1.2t	2	2		
9	A1283191	HUB, PTO CLUTCH		1	1		
10	A0860040	BEARING, BALL	#6004	1	1		
11	S804020010	O-RING	S20(<1>20xW1.5)	1	1		
12	A1287185	CLUTCH,PTO		1	1		
13	A1283192	SLEEVE, HYD. CIRCUIT		1	1		
14	S202082021	SCREW, SET. SOC	M8x1.25x20L	1	1		
15	A0860050	BEARING, BALL	#6005	1	1		
16	A1287217	SHAFT, PTO DRIVE		1	1		
17	A0863060	BEARING, BALL	#6306	1	1		
18	A1281229	RING, PISTON		1	1		
19	S804070010	O-RING	S70(<1>70xW2.0)	1	1		
20	A1280090	COVER, PTO ORV. SHAFT		1	1		
21	S154102533	BOLT, HEX	M10x1.25x25L	2	2		

SUB TRANSFER SHAFT (285)

FIG. 3-S



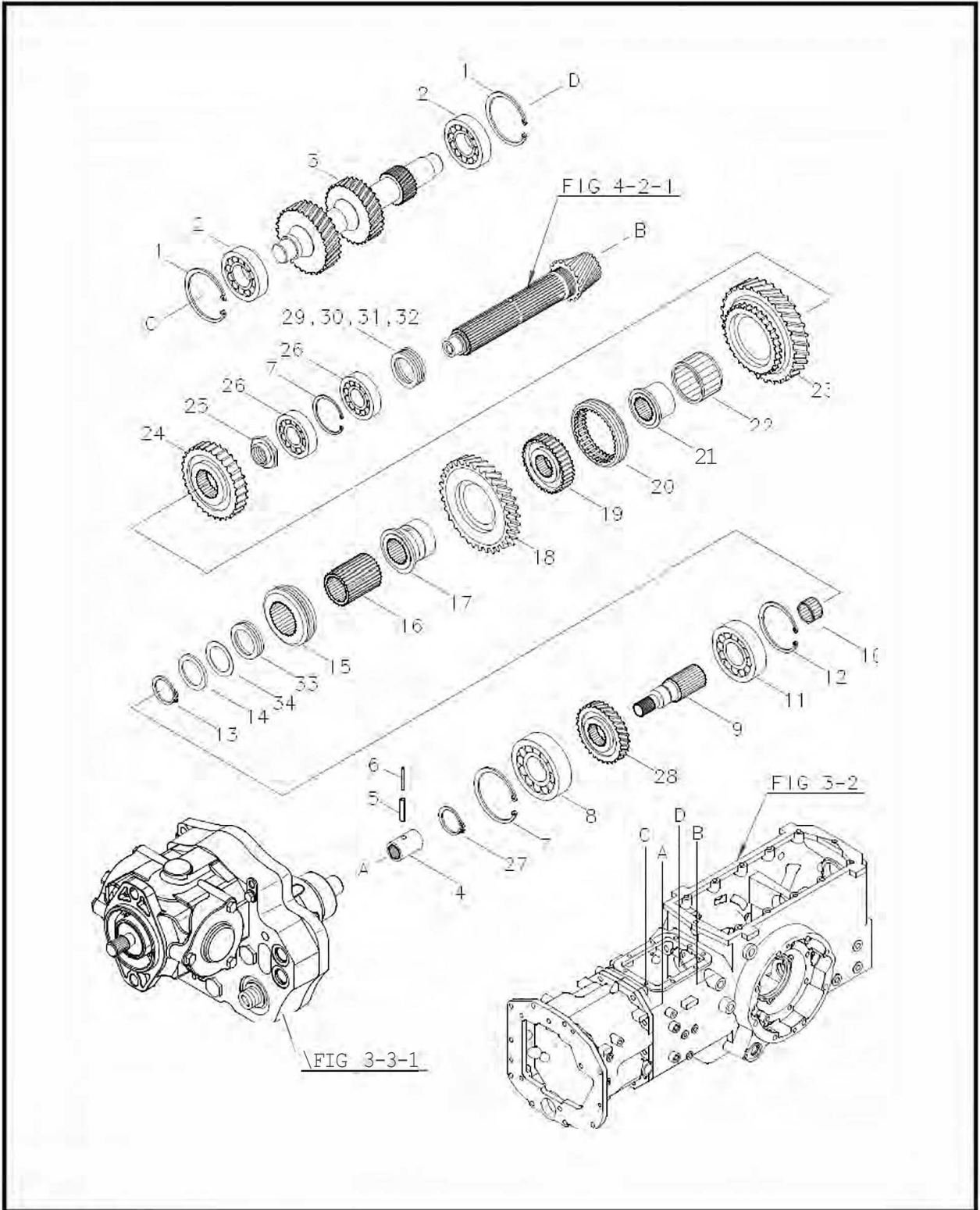
SUB TRANSFER SHAFT(285)

FIG. 3-5

KEY NO.	PART NO.	PART NAME & DESCRIPTION	MODEL & QTY		APPLI. NO.	REMARK
			330HT	360HT		
1	S811062001	RING,SNAP	∅62x2t	2	2	
2	A0863050	BEARING, BALL	#6305	2	2	
3	A1285203	SHAFT, SUB DRIVE		1	1	
4-6	A1285211	COUPLING ASSY		1	1	
4	A1285212	COUPLING	∅68x2.5t	1	1	
5	S446053610	PIN,SPRING	∅5.4x36L	1	1	
6	S446033210	PIN,SPRING	∅3.3x32L	1	1	
7	S811072001	RING,SNAP	∅72x2.5t	2	2	
8	A0862070	BEARING, BALL	#6207	1	1	
9	A1285200	SHAFT, RANGE 1ST		1	1	
10	A1970274	BEARING, NEEDLE	∅20x∅26x20L	1	1	
11	A0860080	BEARING, BALL	#6008	1	1	
12	S811068001	RING,SNAP	∅68x2.5t	1	1	
13	S810025001	RING,SNAP	∅25x1 .St	1	1	
14	A1285213	SPACER,RANGE		1	1	
15	A1285209	SLEEVE, RANGE H		1	1	
16	A1285208	SPACER, SPLINE		1	1	
17	A1285210	SLEEVE.GEAR		1	1	
18	A1285301	GEAR, RANGE DRVN 39T		1	1	
19	A1285206	HUB, RANGE UM		1	1	
20	A1285300	SLEEVE, RANGE		1	1	
21	A1281303	SLEEVE, F,R		1	1	
22	3A1970157	BEARING, NEEDLE	∅40x∅45x27L	1	1	
23	A1285302	GEAR, RANGE DRVN 47T		1	1	
24	A1288098	GEAR, 4WD. ORV 44T		1	1	
25	A1287079	NUT, LOCK	M35x1.5	1	1	
26	A1326032	BEARING, TAPER	#32207C	2	2	
27	S810035001	RING,SNAP	∅35x1 .St	1	1	
28	A1285201	GEAR, RANGE ORV. 30T		1	1	
29	A0870451	SHIM	∅36x∅46x0.15t	AR	AR	
30	A0870452	SHIM	∅36x∅46x0.2t	AR	AR	
31	A0870455	SHIM	∅36x∅46x0.5t	AR	AR	
32	A0870458	SHIM	∅36x∅46x1 .0t	AR	AR	
33	A1285214	SHIM, RANGE	∅25x∅35x0.15t	AR	AR	
34	A1285235	SHIM, RANGE	∅25x∅35x0.6t	AR	AR	

SUB TRANSFER SHAFT (285)

FIG. 3-S



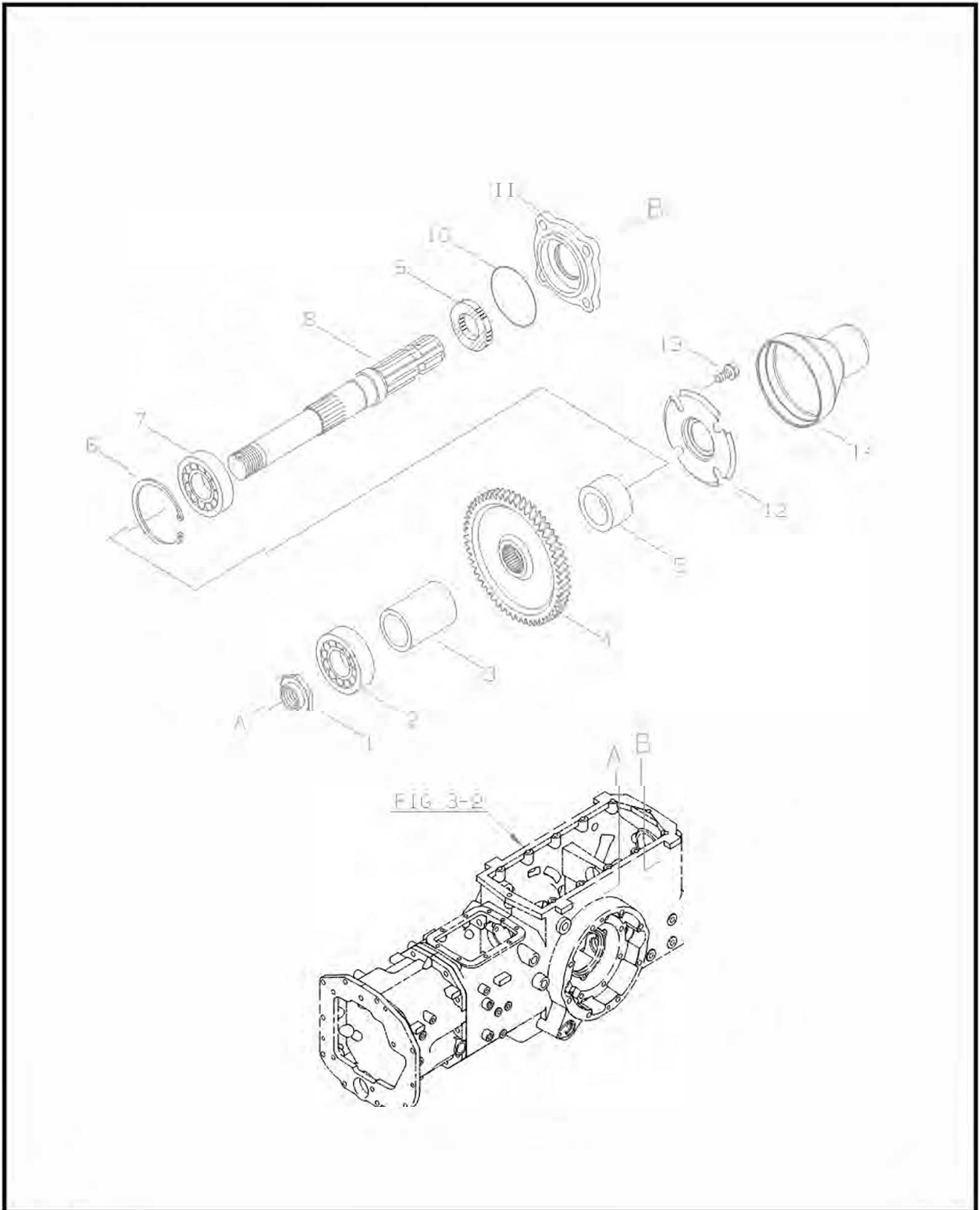
SUB TRANSFER SHAFT(285)

FIG. 3-5

KEY NO.	PART NO.	PART NAME & DESCRIPTION	MODEL & QTY		APPLI. NO.	REMARK
			330HT	360HT		
1	S811062001	RING,SNAP	∅62x2t	2	2	
2	A0863050	BEARING, BALL	#6305	2	2	
3	A1285203	SHAFT, SUB DRIVE		1	1	
4-6	A1285211	COUPLING ASSY		1	1	
4	A1285212	COUPLING	∅68x2.5t	1	1	
5	S446053610	PIN,SPRING	∅5.4x36L	1	1	
6	S446033210	PIN,SPRING	∅3.3x32L	1	1	
7	S811072001	RING,SNAP	∅72x2.5t	2	2	
8	A0862070	BEARING, BALL	#6207	1	1	
9	A1285200	SHAFT, RANGE 1ST		1	1	
10	A1970274	BEARING, NEEDLE	∅20x∅26x20L	1	1	
11	A0860080	BEARING, BALL	#6008	1	1	
12	S811068001	RING,SNAP	∅68x2.5t	1	1	
13	S810025001	RING,SNAP	∅25x1 .St	1	1	
14	A1285213	SPACER,RANGE		1	1	
15	A1285209	SLEEVE, RANGE H		1	1	
16	A1285208	SPACER, SPLINE		1	1	
17	A1285210	SLEEVE.GEAR		1	1	
18	A1285204	GEAR, RANGE DRVN 39T		1	1	
19	A1285206	HUB, RANGE UM		1	1	
20	A1285202	SLEEVE, RANGE UM		1	1	
21	A1281303	SLEEVE, F,R		1	1	
22	3A1970157	BEARING, NEEDLE	∅40x∅45x27L	1	1	
23	A1285205	GEAR,RANGEDRVN47T		1	1	
24	A1288098	GEAR, 4WD. ORV 44T		1	1	
25	A1287079	NUT, LOCK	M35x1.5	1	1	
26	A1326032	BEARING, TAPER	#32207C	2	2	
27	S810035001	RING,SNAP	∅35x1 .St	1	1	
28	A1285201	GEAR, RANGE ORV. 30T		1	1	
29	A0870451	SHIM	∅36x∅46x0.15t	AR	AR	
30	A0870452	SHIM	∅36x∅46x0.2t	AR	AR	
31	A0870455	SHIM	∅36x∅46x0.5t	AR	AR	
32	A0870458	SHIM	∅36x∅46x1 .0t	AR	AR	
33	A1285214	SHIM, RANGE	∅25x∅35x0.15t	AR	AR	
34	A1285235	SHIM, RANGE	∅25x∅35x0.6t	AR	AR	

P.T .0 SHAFT (287)

FIG. 3-6



P.T .0 SHAFT (287)

FIG. 3-6

KEY NO.	PART NO.	PART NAME & DESCRIPTION		MODEL & QTY		APPLI. NO.	REMARK
				330HT	360HT		
1	A1287179	NUT, LOCK	M30x1.5	1	1		
2	A0863060	BEARING, BALL	#6306	1	1		
3	A1287215	SPACER	$\phi 33 \times \phi 42 \times 87L$	1	1		
4	A1287214	GEAR(56T),PTO 1ST DRN.		1	1		
5	A1281192	SPACER	$\phi 33 \times \phi 50 \times 44.5L$	1	1		
6	S811072001	RING.SNAP	C>72x25t	1	1		
7	A0862070	BEARING, BALL	#6207	1	1		
8	A1287218	SHAFT, PTO		1	1		
9	A1287211	SEAL, OIL	$\phi 40 \times \phi 62 \times 11.5$	1	1		
10	S804070010	O-RING	S70($\phi 70 \times W2.0$)	1	1		
11	A1280115	COVER, PTO SHAFT		1	1		
12	A1280184	GUIDE, PTO COVER		1	1		
13	S'154102533	BOLT, HEX	M10x1.25x25L	4	4		
14	A05171520	COVER, SAFETY		1	1		

P.T.0 SHAFT (287)

FIG. 3-6

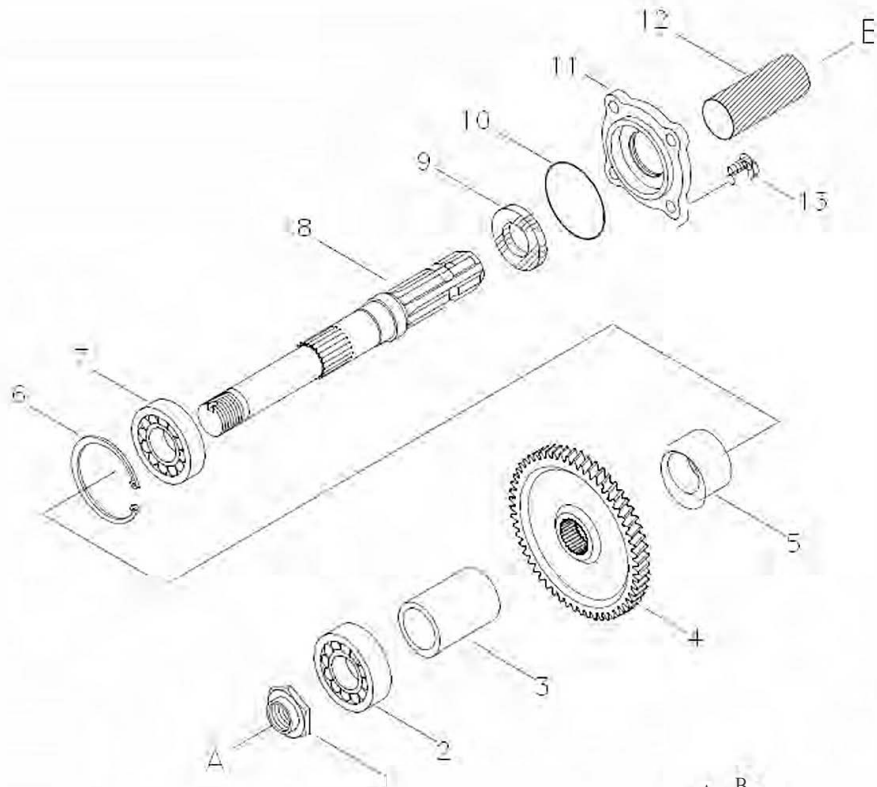
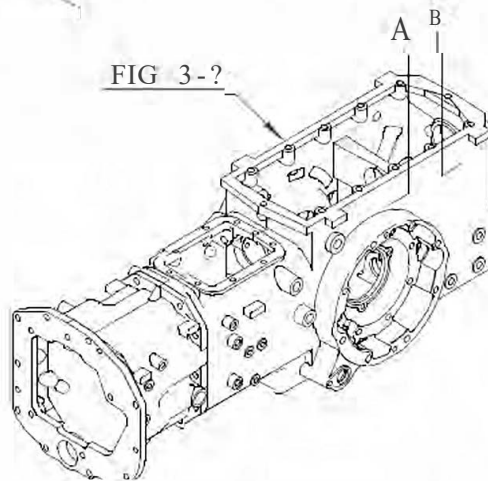


FIG 3-?



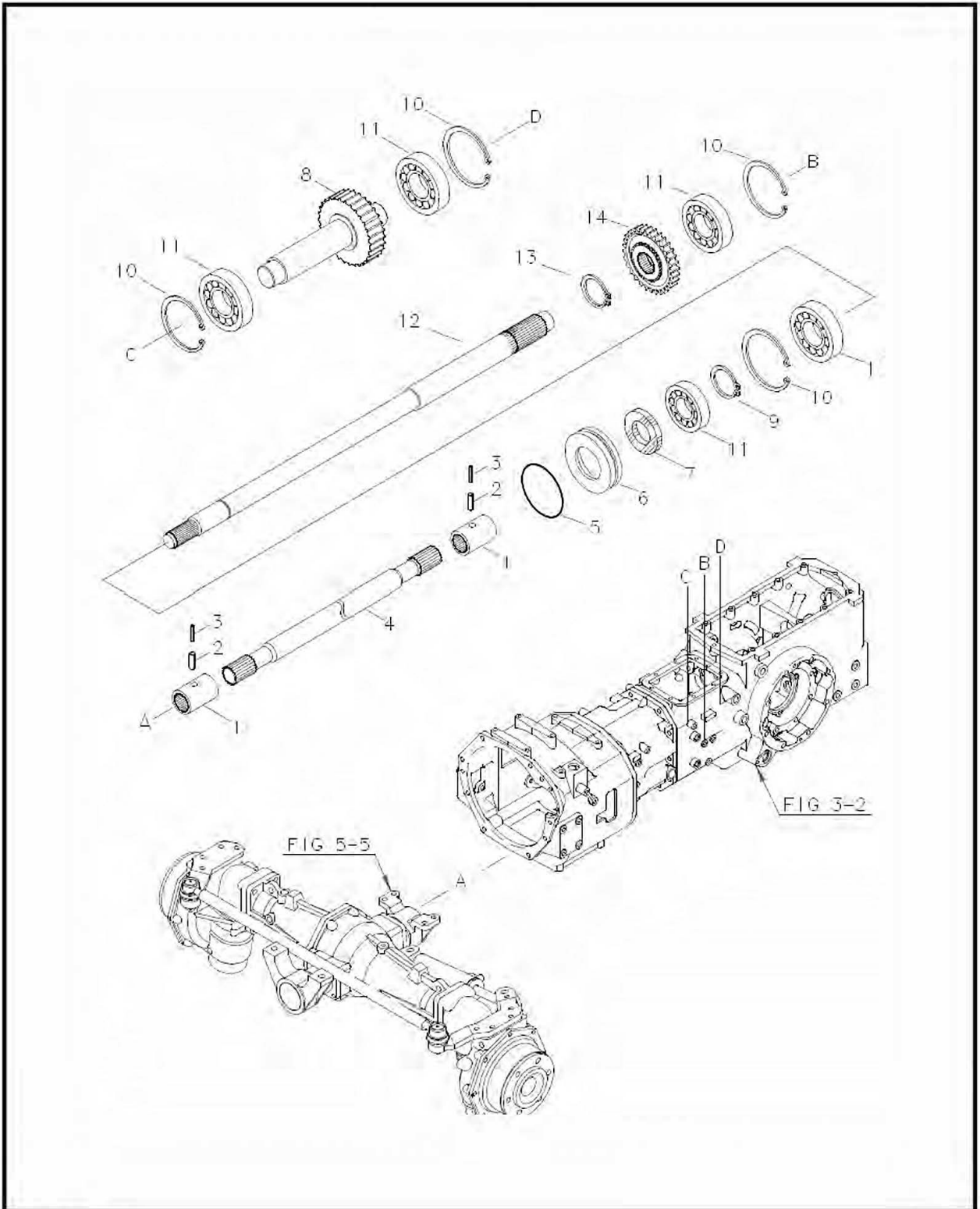
P.T .0 SHAFT (287)

FIG. 3-6

KEY NO.	PART NO.	PART NAME & DESCRIPTION		MODEL & QTY		APPLI. NO.	REMARK
				330HT	360HT		
1	A1287179	NUT, LOCK	M30x1.5	1	1		
2	A0863060	BEARING, BALL	#6306	1	1		
3	A1287215	SPACER	∅33x∅42x87L	1	1		
4	A1287214	GEAR(56T),PTO 1ST DRN.		1	1		
5	A1281192	SPACER	∅33x∅50x44.5L	1	1		
6	S811072001	RING.SNAP	∅72x2.5t	1	1		
7	A0862070	BEARING, BALL	#6207	1	1		
8	A1287218	SHAFT, PTO		1	1		
9	A1287211	SEAL, OIL	∅40x∅62x11.5	1	1		
10	S804070010	O-RING	S70(∅70xW2.0)	1	1		
11	A1280115	COVER, PTO SHAFT		1	1		
12	3A5102349	COVER, PTO		1	1		
13	S154102533	BOLT, HEX	M10x1.25x25L	4	4		

4WD(288,380)

FIG. 3-7



4WD(288,380)

FIG. 3-7

KEY NO.	PART NO.	PART NAME & DESCRIPTION		MODEL & QTY		APPLI. NO.	REMARK
				330HT	360HT		
1-3	A1288044	JOINT ASSY		2	2		
1	A1288028	JOINT,4WD		2	2		
2	S446053210	PIN,SPRING	<1>5x3L	2	2		
3	S446033210	PIN.SPRING	<1>3x3L	2	2		
4	A1288101	SHAFT, 4WD FRONT		1	1		
5	S801046010	O-RING	P46(<1>46xW3.5)	1	1		
6	A1288043	HOUSING, SEAL	<1>52	1	1		
7	A0651253	SEAL, OIL	TC25408	1	1		
8	A1288104	GEAR, 4WD 1DLER(31T)		1	1		
9	S810025001	RING.SNAP	<1>25x1.2t	1	1		
10	S811052001	RING.SNAP	<1>52x2t	4	4		
11	A0862050	BEARING, BALL	#6205	5	5		
12	A1288100	SHAFT,4WD		1	1		
13	S810030001	RING.SNAP	<1>30x1.St	1	1		
14	A1288099	GEAR, 4WD DRVN 31T		1	1		

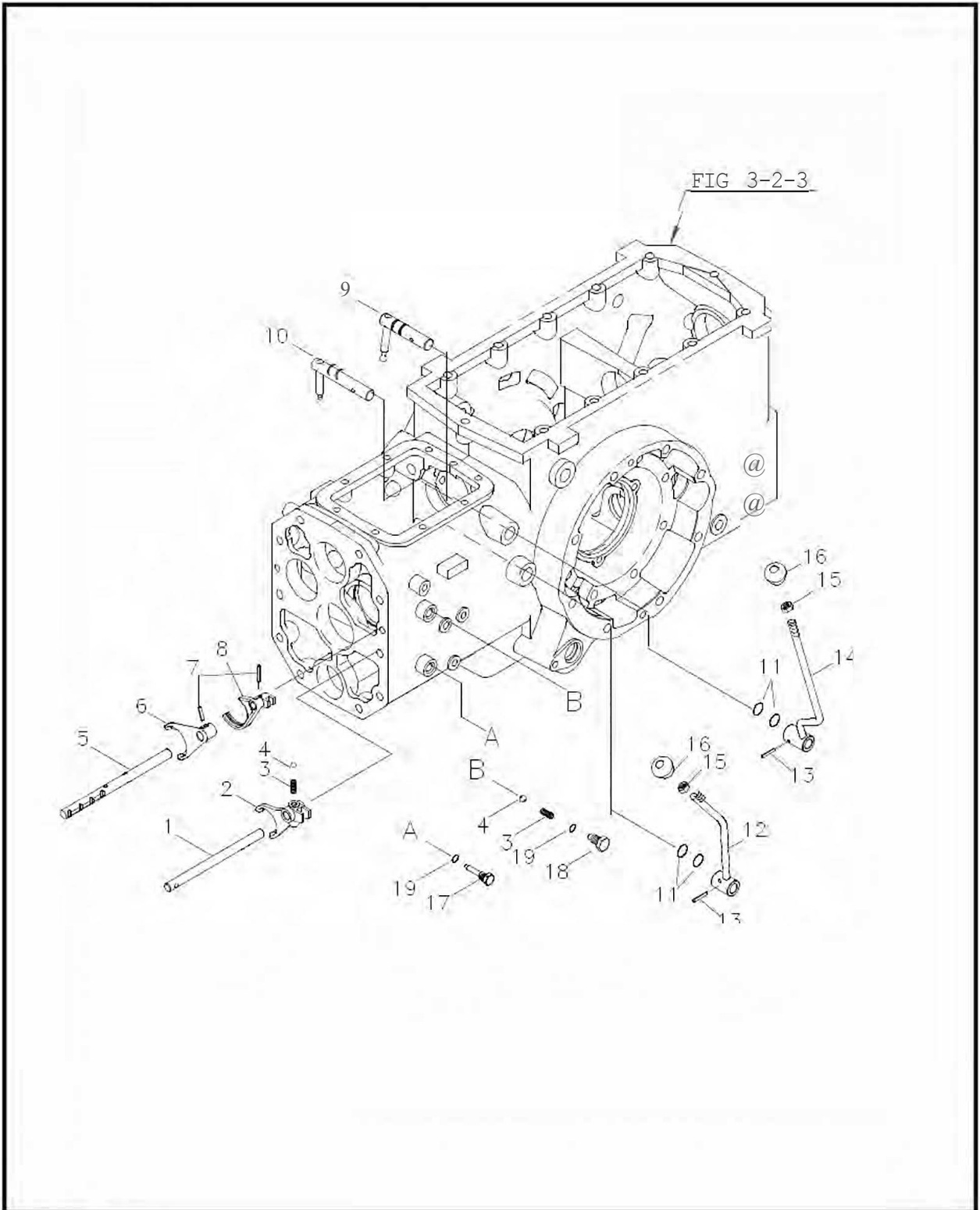
SHIFT LEVER & FORK(291,293)

FIG. 3-8

KEY NO.	PART NO.	PART NAME & DESCRIPTION	MODEL & O'TY		APPLI. NO.	REMARK
			330HT	360HT		
1	A1291234	RAIL,4WD	1	1		
2	A1291231	FORK,4WD	1	1		
3	3A1290011	SPRING	2	2		
4	A20063390	BALL SHIFTER FORK (11132)	2	2		
5	A1291233	RAIL RANGE	1	1		
6	A1291229	FORK, RANGE GEAR(H)	1	1		
7	S446062512	PIN,SPRING $\varnothing 6.25$	2	2		
8	A1291230	FORK, RANGE GEAR(M,L)	1	1		
9	A1291237	LEVER,4WD	1	1		
10	A1291270	LEVER, RANGE	1	1		
11	S801016010	O-RING $\langle \rangle 16 \times 24$	2	2		
12	A1293151	HAND LEVER, 4WD	1	1		
13	S446063512	PIN,SPRING $\varnothing 6.35$	2	2		
14	A1293170	HAND LEVER, RANGE	1	1		
15	S314100013	NUT M10x1.25	2	2		
16	A1970300	GRIP	2	2		
17	A1291195	BOLT, SELF LOCK	1	1		
18	A1291145	BOLT, RAIL M12x1.75x23L	1	1		
19	S801010A10	O-RING $\varnothing 9.8 \times 24$	2	2		
20	A0651202	SEAL, OIL	1	1		
21	S811032001	RING, SNAP (C) H	1	1		

SHIFT LEVER & FORK(291,293)

FIG. 3-8



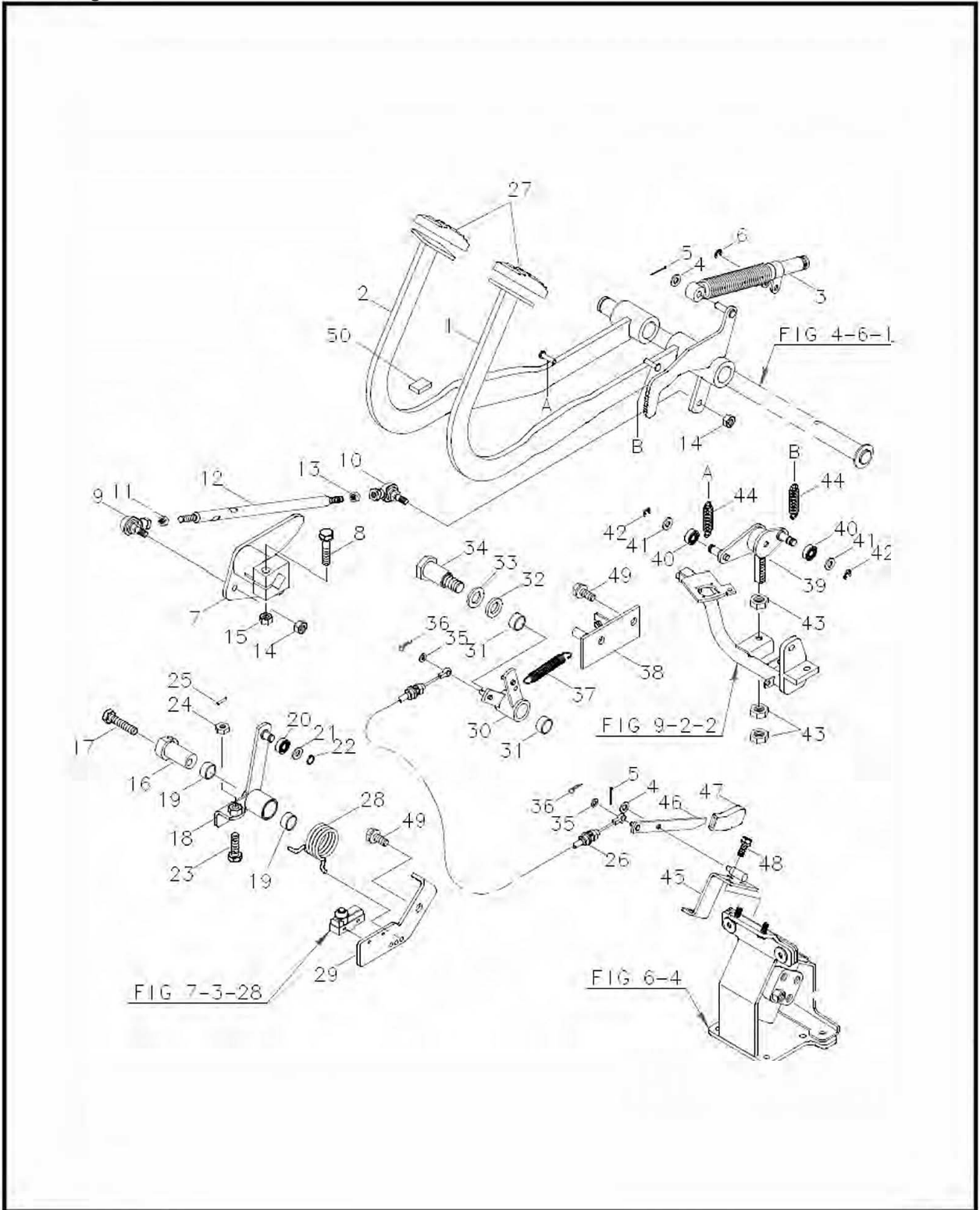
SHIFT LEVER & FORK(291,293)

FIG. 3-8

KEY NO.	PART NO.	PART NAME & DESCRIPTION	MODEL & Q'TY		APPLI. NO.	REMARK
			330HT	360HT		
1	A1291234	RAIL,4WD	1	1		
2	A1291231	FORK,4WD	1	1		
3	3A1290011	SPRING	2	2		
4	A20063390	BALL SHIFTER FORK (11132)	2	2		
5	A1291233	RAIL RANGE	1	1		
6	A1291229	FORK, RANGE GEAR(H)	1	1		
7	S446062512	PIN,SPRING $\phi 6.25$	2	2		
8	A1291230	FORK, RANGE GEAR(M,L)	1	1		
9	A1291237	LEVER,4WD	1	1		
10	A1291236	LEVER, RANGE	1	1		
11	S801016010	O-RING $<16 \times 24$	4	4		
12	A1293151	HAND LEVER, 4WD	1	1		
13	S446063512	PIN,SPRING $\phi 6.35$	2	2		
14	A1293150	HAND LEVER, RANGE	1	1		
15	S314100013	NUT M10x1.25	2	2		
16	A1970300	GRIP	2	2		
17	A1291195	BOLT, SELF LOCK	1	1		
18	A1291145	BOLT, RAIL M12x1.75x23L	1	1		
19	S801010A10	O-RING $\phi 9.8 \times 24$	2	2		

HST CONTROL.(292)

FIG. 3-g



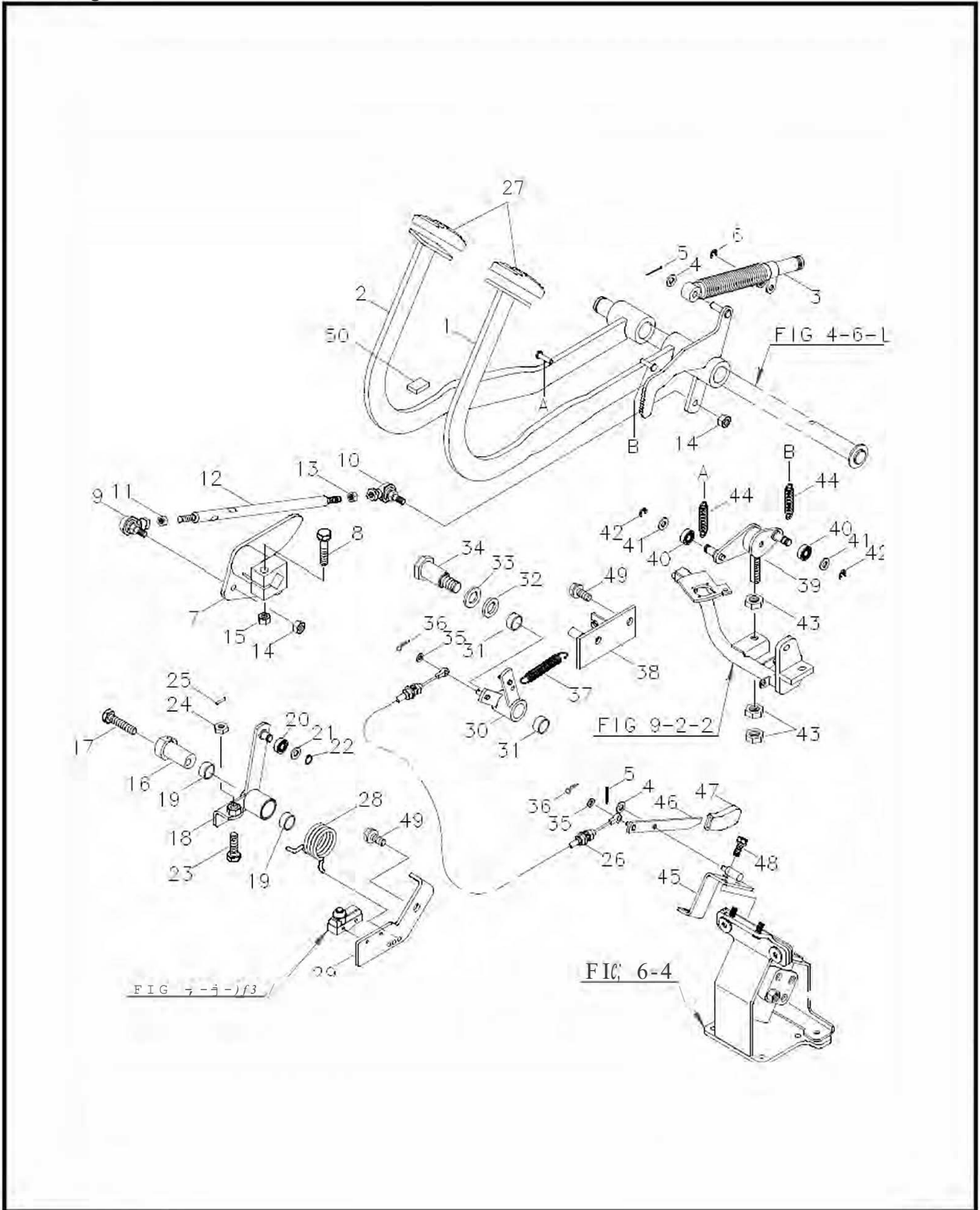
HST CONTROL.(292)

FIG. 3-9

KEY NO.	PART NO.	PART NAME & DESCRIPTION		MODEL & Q'TY		APPLI. NO.	REMARK
				330HT	360HT		
1	A1291215	PEDAL, FORWARD		1	1		
2	A1291216	PEDAL, BACKWARD		1	1		
3	A1291238	DAMPER		1	1		
4	S363080013	WASHER, PLATE	$\varnothing 8.4 \times \varnothing 15.5 \times 1.61$	2	2		
5	S441202013	PIN, SPLIT	$\varnothing 1.8 \times 20L$	2	2		
6	S814006003	E-RING	0.8t	1	1		
7	A1291217	PLATE, CAM		1	1		
8	S154105533	BOLT, HEXW/WASHER	M10x1.25x55	1	1		
9-13	A1291220	FORWARD ROD ASSY		1	1		
9	A0731033R	END, ROD	M8x1.25	1	1		
10	A0731033L	END, ROD(L)	M8x1.25(L)	1	1		
11	S313080013	NUT,HEX	M8x1.25	1	1		
12	A1291219	ROD, HST CONT.		1	1		
13	A0610059	NUT,HEX(L)	M8x1.25(L)	1	1		
14	A1877079	NUT, LOCK	M8x1.25	2	2		
15	A0610277	NUT, LOCK	M10x1.25	1	1		
16	A1291224	SHAFT, CONTROL		1	1		
17	S154107033	BOLT, HEX W/WASHER	M10x1.25x70L	1	1		
18-25	A1291213	NEUTRAL ARM ASSY		1	1		
18	A1291206	ARM.NEUTRAL		1	1		
19	A0672320	BUSHING		2	2		
20	A0860002	BEARING, BALL	#6000ZZ	1	1		
21	S363100013	WASHER, PLATE	$\varnothing 1.8 \times 20L$	1	1		
22	S810010001	RIN,SNAP	$\varnothing 1 \times 1 \times 0t$	1	1		
23	A1291257	BOLT, HEX	M10x1.25x35L	1	1		
24	S310100013	NUT, HEX	M10x1.25	1	1		
25	S446041812	PIN, SPLIT		1	1		
26	A1291212	WIRE, CRUISE		1	1		
27	A1291214	PAD,PEDAL		2	2		
28	A1291258	SPRING		1	1		
29	A1291210	BRACKET, WIRE		1	1		
30-31	A1291240	ARM, CRUISE CONTROL		1	1		
30	-	ARM, CRUISE CONTROL		1	1		
31	A0677615	BUSHING		2	2		
32	S361160013	WASHER, SPRING	M16	1	1		
33	S364160013	WASHER	$\varnothing 17 \times \varnothing 30 \times 3.0t$	1	1		
34	A1291225	SHAFT, CRUISE		1	1		
35	S363060013	WASHER	$\varnothing 6.4 \times \varnothing 11.5 \times 1.61$	2	2		
36	S441162013	PIN, SPLIT	$\varnothing 1.4 \times 20L$	2	2		
37	A0691099	SPRING		1	1		

HST CONTROL.(292)

FIG. 3-g



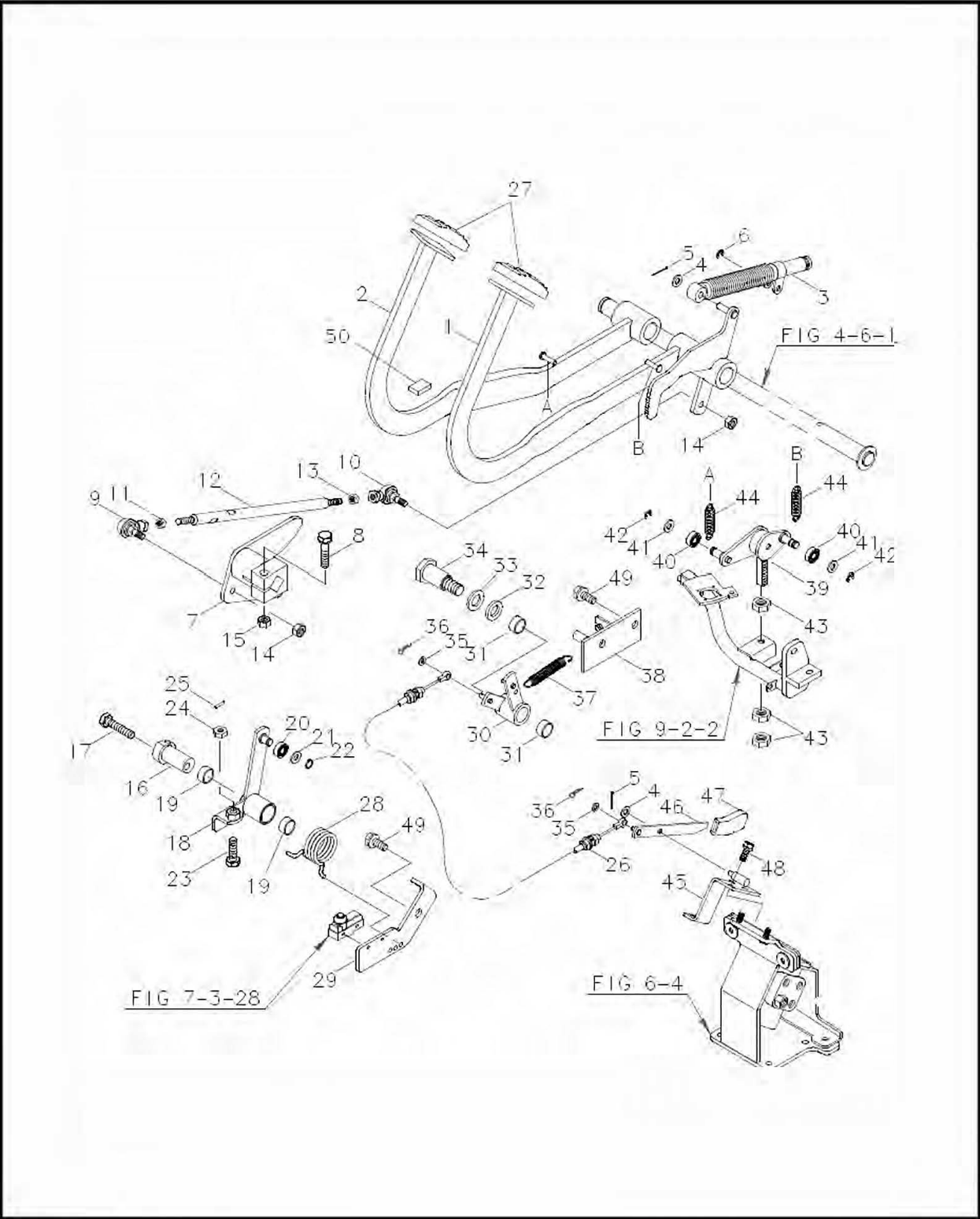
HST CONTROL.(292)

FIG. 3-9

KEY NO.	PART NO.	PART NAME & DESCRIPTION		MODEL & QTY		APPLI. NO.	REMARK
				330HT	360HT		
38	A1291226	STOPPER, ARM		1	1		
39-42	A1291251	F/R INTERLOCK LINK ASSY		1	1		
39	-	LINK, FIR INTERLOCK		1	1		
40	A0860002	BEARING, BALL	#6000ZZ	2	2		
41	S363100013	WASHER, PLATE	4>1.8x20L	2	2		
42	S814009003	RING, SNAP(E)	4>9x0.8t	2	2		
43	S312140013	NUT,HEX	M14	3	3		
44	A1291252	SPRING		2	2		
45	A1291209	BRACKET, CRUISE		1	1		
46	A1291211	LEVER, CRUISE		1	1		
47	A5002309	GRIP		1	1		
48	S153082033	BOLT, HEXW/WASHER	M8x1 .25x20L	2	2		
49	S154102033	BOLT, HEXW/WASHER	M10x1 .25X20L	3	3		
50	A1291256	RUBBER		1	1		

HST CONTROL.(292)

FIG. 3-g



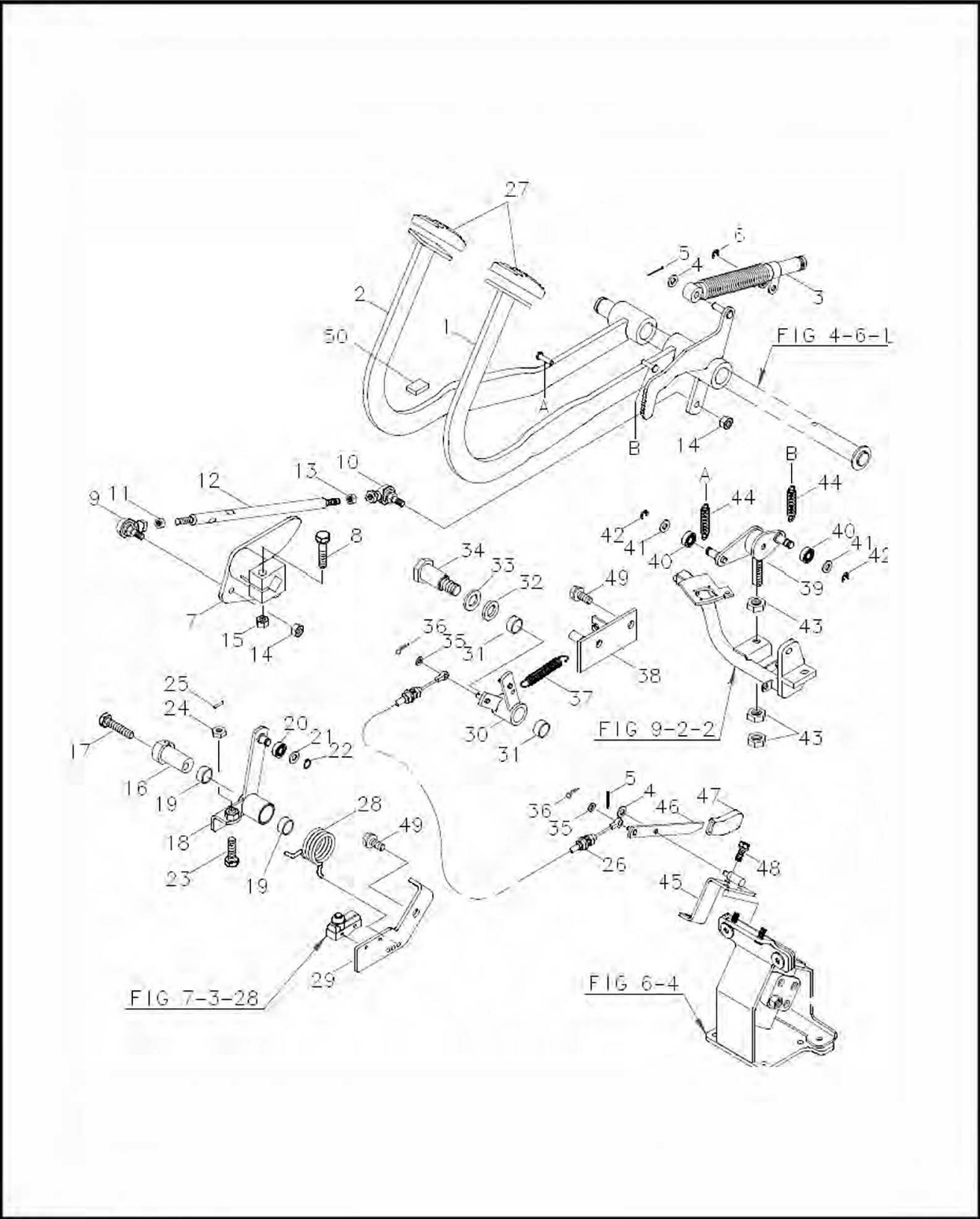
HST CONTRQ(292)

FIG. 3-9

KEY NO.	PART NO.	PART NAME & DESCRIPTION		MODEL & Q'TY		APPLI. NO.	REMARK
				330HT	360HT		
1	A1291215	PEDAL, FORWARD		1	1		
2	A1291216	PEDAL, BACKWARD		1	1		
3	A1291238	DAMPER		1	1		
4	S363080013	WASHER, PLATE	<↳8.4x<↳15.5x1.61	2	2		
5	S441202013	PIN, SPLIT	<↳1.8x20L	2	2		
6	S814006003	E-RING	0.8t	1	1		
7	A1291217	PLATE, CAM		1	1		
8	S154105533	BOLT, HEXW/WASHER	M10x1.25x55	1	1		
9-13	A1291220	FORWARD ROD ASSY		1	1		
9	A0731033R	END, ROD	M8x1.25	1	1		
10	A0731033L	END, ROD(L)	M8x1.25(L)	1	1		
11	S313080013	NUT, HEX	M8x1.25	1	1		
12	A1291219	ROD, HST CONT.		1	1		
13	A0610059	NUT, HEX(L)	M8x1.25(L)	1	1		
14	A1877079	NUT, LOCK	M8x1.25	2	2		
15	A0610277	NUT, LOCK	M10x1.25	1	1		
16	A1291224	SHAFT, CONTROL		1	1		
17	S154107033	BOLT, HEX WWASHER	M10x1.25x70L	1	1		
18-25	A1291213	NEUTRAL ARM ASSY		1	1		
18	A1291206	ARM.NEUTRAL		1	1		
19	A0672320	BUSHING		2	2		
20	A0860002	BEARING, BALL	#6000ZZ	1	1		
21	S363100013	WASHER, PLATE	(!)1.8x20L	1	1		
22	S810010001	RIN, SNAP	<↳10x1.0t	1	1		
23	A1291257	BOLT, HEX	M10x1.25x35l	1	1		
24	S310100013	NUT, HEX	M10x1.25	1	1		
25	S446041812	PIN, SPLIT		1	1		
26	A1291212	WIRE, CRUISE		1	1		
27	A1291214	PAO,PEDAL		2	2		
28	A1291239	SPRING		1	1		
29	A1291210	BRACKET, WIRE		1	1		
30-31	A1291240	ARM, CRUISE CONTROL		1	1		
30	-	ARM, CRUISE CONTROL		1	1		
31	A0677615	BUSHING		2	2		
32	S361160013	WASHER, SPRING	M16	1	1		
33	S364160013	WASHER	(!)17x<↳30x3.0t	1	1		
34	A1291225	SHAFT, CRUISE		1	1		
35	S363060013	WASHER	<↳5.4x<↳11.5x1.6t	2	2		
36	S441162013	PIN, SPLIT	(!)1.4x20L	2	2		
37	A0691099	SPRING		1	1		

HST CONTROL.(292)

FIG. 3-g



HST CONTROL.(292)

FIG. 3-9

KEY NO.	PART NO.	PART NAME & DESCRIPTION		MODEL & QTY		APPLI. NO.	REMARK
				330HT	360HT		
38	A1291226	STOPPER, ARM		1	1		
39-42	A1291251	F/R INTERLOCK LINK ASSY		1	1		
39	-	LINK, FIR INTERLOCK		1	1		
40	A0860002	BEARING, BALL	#6000ZZ	2	2		
41	S363100013	WASHER, PLATE	4>1.8x20L	2	2		
42	S814009003	RING, SNAP(E)	4>9x0.8t	2	2		
43	S312140013	NUT,HEX	M14	3	3		
44	A1291252	SPRING		2	2		
45	A1291209	BRACKET, CRUISE		1	1		
46	A1291211	LEVER, CRUISE		1	1		
47	A5002309	GRIP		1	1		
48	S153082033	BOLT, HEXW/WASHER	M8x1 .25x20L	2	2		
49	S154102033	BOLT, HEXW/WASHER	M10x1 .25X20L	3	3		
50	A1291256	RUBBER		1	1		

DIFF- LOCK(310)

FIG. 4-1

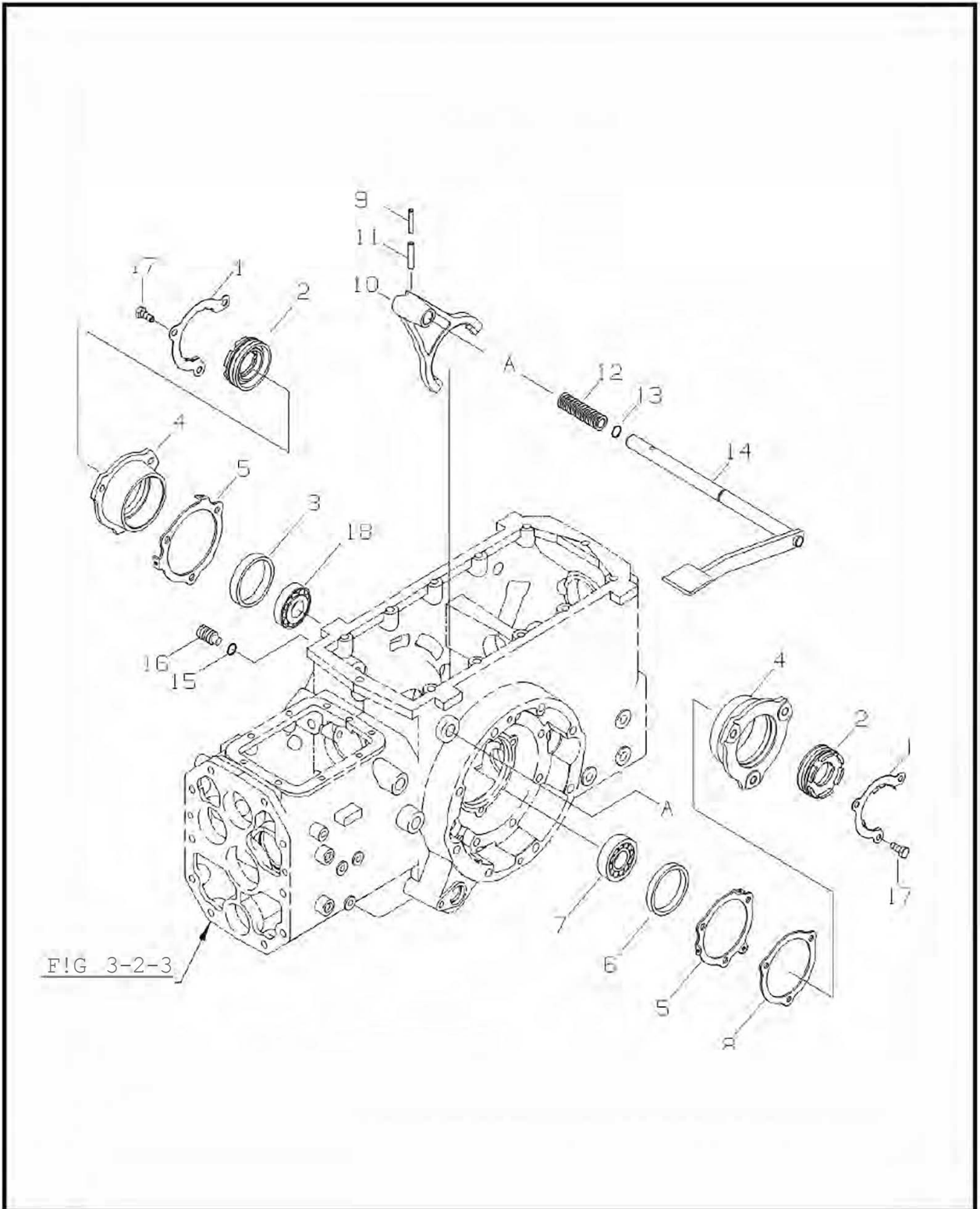


FIG 3-2-3

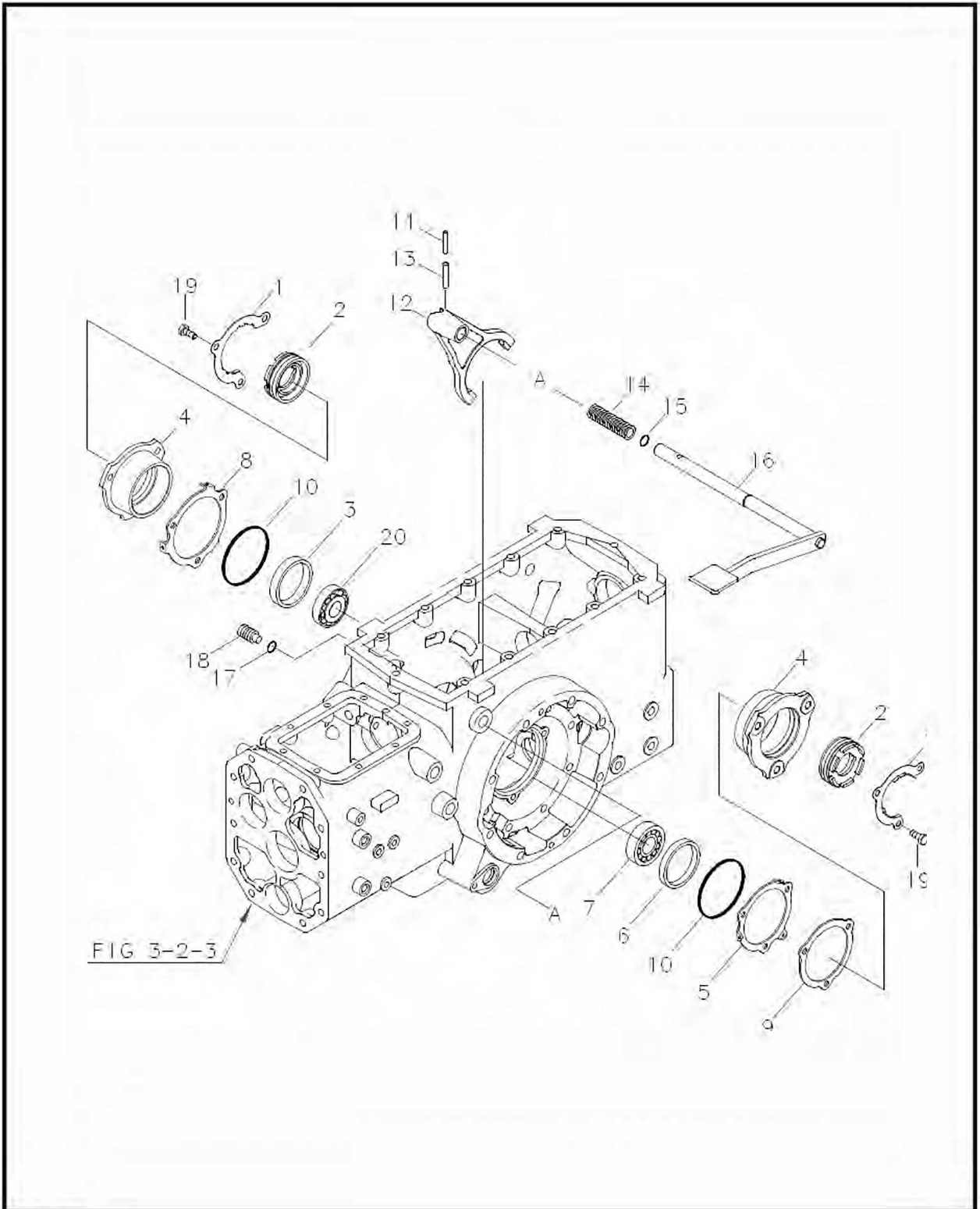
DIFF- LOCK(310)

FIG. 4-1

KEY NO.	PART NO.	PART NAME & DESCRIPTION		MODEL & QTY		APPLI. NO.	REMARK
				330HT	360HT		
1	A1326050	PLATE, LOCK		2	2		
2	3A1326005	GRAND NUT	M85x1.5	2	2		
3	A1326066	SPACER	<1>77x<1>89.1x8t	1	1		
4	A1326048	SUPPORT, DIFF		2	2		
5	A1650074	HOLDER, SPRING(LH)		2	2		
6	A1326065	SPACER	Ø77x<1>89.1x141 t	1	1		
7	A0862100	BEARING, BALL	#6210	1	1		
8	A1326064	SPACER, DIFF.		1	1		
9	S446054012	PIN, SPRING	<1>5x40	1	1		
10	A1326063	FORK, DIFF		1	1		
11	S446084012	PIN, SPRING	<1>8x40	1	1		
12	A1326047	SPRING		1	1		
13	S801016010	O-RING(G)	<1>16xW2.4	1	1		
14	A1326062	PEDAL, DIFF		1	1		
15	S801021010	O-RING(G)	<1>21xW2.4	1	1		
16	A1326046	SCREW, ADJUST	M22x1.5	1	1		
17	S165102543	BOLT, HEX	M1 Q1 .25x25L	6	6		
18	A26799980	BEARING, TAPER ROLLER	#30210	1	1		

DIFF- LOCK(310)

FIG. 4-1



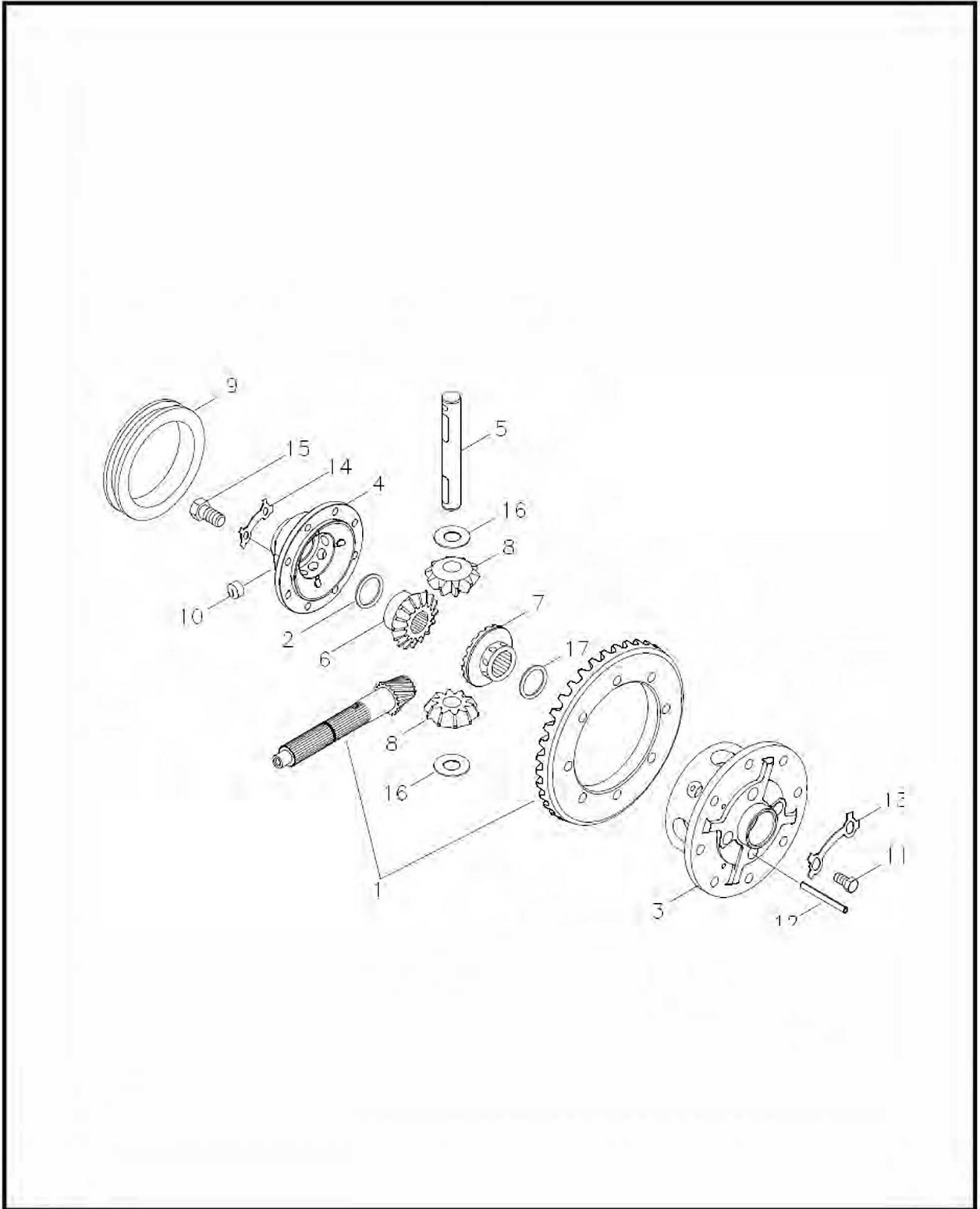
DIFF- LOCK(310)

FIG. 4-1

KEY NO.	PART NO.	PART NAME & DESCRIPTION	MODEL & QTY		APPLI. NO.	REMARK
			330HT	360HT		
1	A1326050	PLATE, LOCK	2	2		
2	3A1326005	GRAND NUT	2	2		
3	A1326066	SPACER	1	1		
4	A1326048	SUPPORT, DIFF	2	2		
5	A1650074	HOLDER, SPRING(LH)	1	1		
6	A1326065	SPACER	1	1		
7	A0862100	BEARING, BALL	1	1		
8	A1650096	HOLDER, SPRING(RH)	1	1		
9	A1326064	SPACER, DIFF.	1	1		
10	S802110010	O-RING(G)	1	1		
11	S446054012	PIN,SPRING	1	1		
12	A1326063	FORK, DIFF	1	1		
13	S446084012	PIN,SPRING	1	1		
14	A1326047	SPRING	1	1		
15	S801016010	O-RING(G)	1	1		
16	A1326062	PEDAL, DIFF	1	1		
17	S801021010	O-RING(G)	1	1		
18	A1326046	SCREW, ADJUST	1	1		
19	S165102543	BOLT, HEX	6	6		
20	A26799980	BEARING, TAPER ROLLER	1	1		

REAR DIFERENTIAL(320)

FIG. 4-2



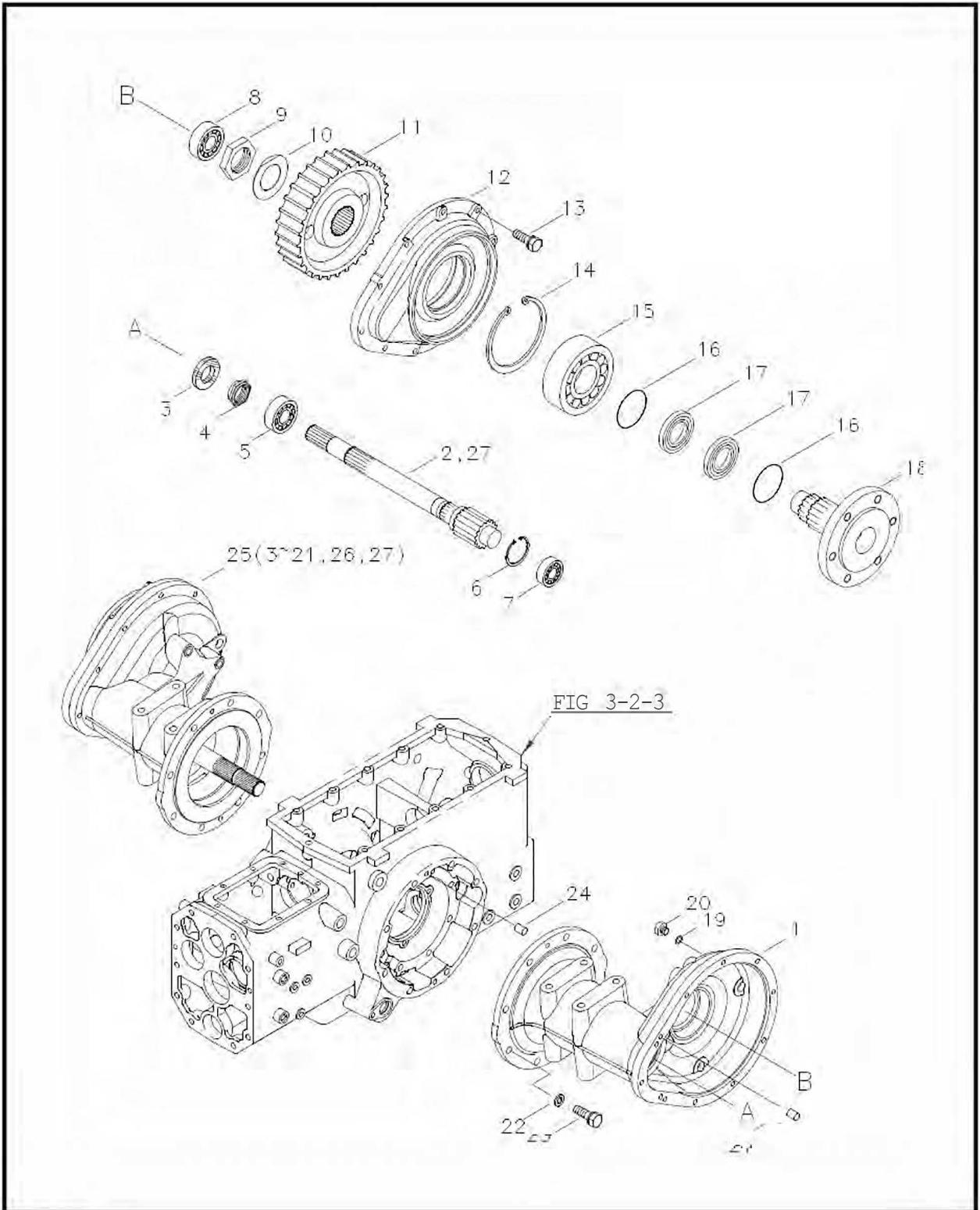
REAR D1FERENTIAL(320)

FIG. 4-2

KEY NO.	PART NO.	PART NAME & DESCRIPTION		MODEL & O'TY		APPLI. NO.	REMARK
				330HT	360HT		
1-18	A1324111	DIFFASSY		1	1		
1	A1324112	RING & PINION GEAR SET		1	1		
2	3A1324003	WASHER, THRUST (LH)	<1>55xφ74x0.8t	1	1		
3	A1324091	CASE, DIFF. (1)		1	1		
4	A1324074	CASE, DIFF. (2)		1	1		
5	A1324075	SHAFT(1)		1	1		
6	A1324061	GEAR, DIFF. SIDE (LH)	16T	1	1		
7	A1324062	GEAR, DIFF. SIDE (RH)		1	1		
8	A1324060	GEAR, PINION, MATE	10T	2	2		
9	3A1324007	HUB, DIFF-LOCK		1	1		
10	3A1324014	ROLLER	φ12x15	10	10		
11	A1324090	BOLT.HEX	M12x1.25x23L	8	8		
12	S446065010	PIN.SPRING	φ6x50L	1	1		
13	3A1324012	PLATE, LOCKING	1.ot	4	4		
14	A1324079	WASHER, LOCK(2)	1.ot	4	4		
15	S105082D43	BOLT.HEX	M8x1.25x20L	8	8		
16	3A1970123	WASHER, THRUST	0.81	2	2		
17	3A1970122	WASHER, THRUST	0.81	1	1		

REAR AXLE(480,481)

FIG. 4-3



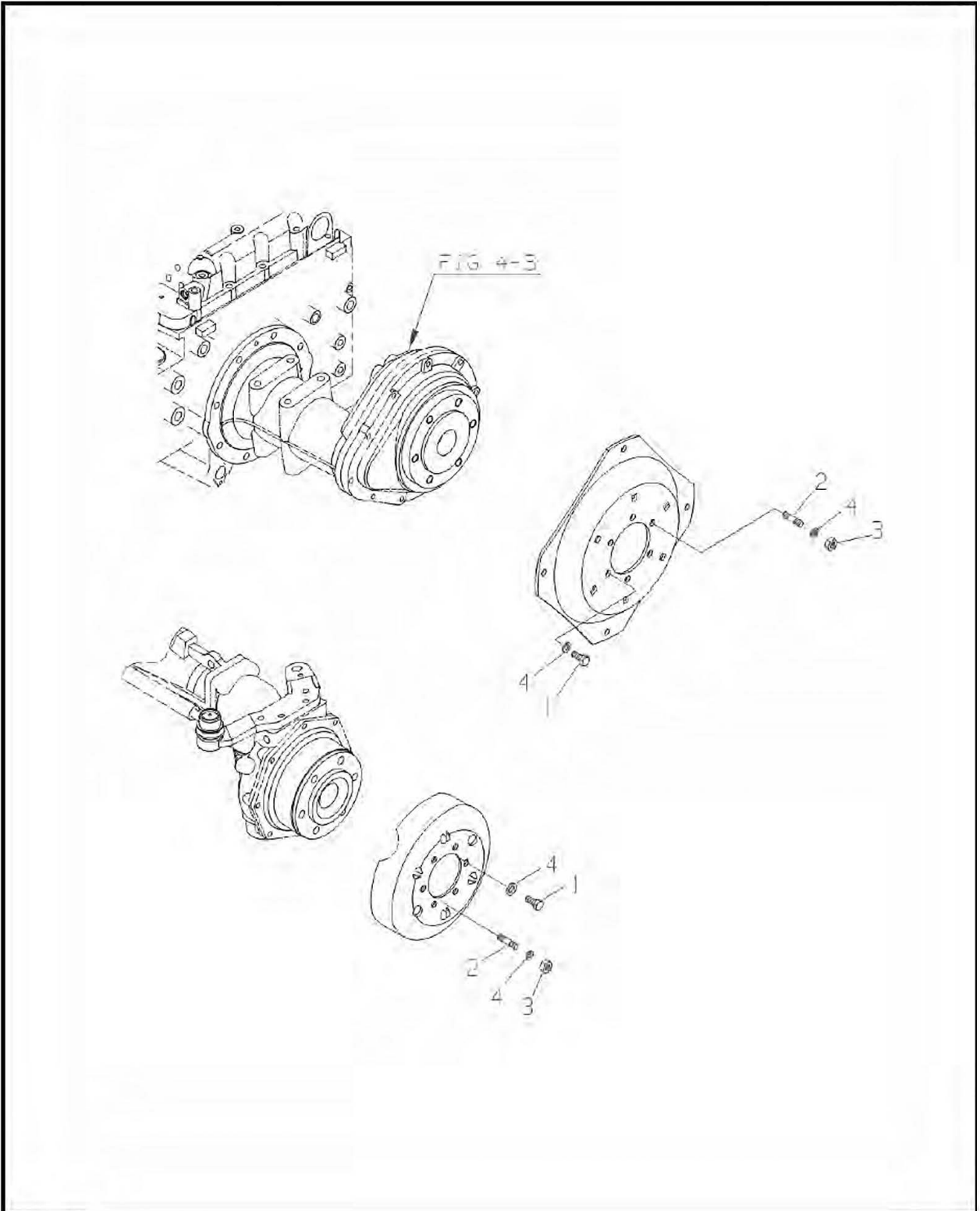
REAR AXLE(480,481)

FIG. 4-3

KEY NO.	PART NO.	PART NAME & DESCRIPTION		MODEL & QTY		APPLI. NO.	REMARK
				330HT	360HT		
1-21	A1480095	F/ORIVE ASSY(LH)		1	1		
1	A1480097	CASE, FINAL DRIVE(LH)		1	1		
2	A1481061	PINION, FINAL DRL(18T,R)		2	2		
3	A1480102	SEAL, OIL	TC38558	2	2		
4	A1481040	NUT, LOCK	M40x1.0	2	2		
5	A0863080	BEARING, BALL	#6308	2	2		
6	S811090001	RING,SNAP	φ90x3t	2	2		
7	A0863070	BEARING, BALL	#6307	2	2		
8	A0863090	BEARING, BALL	#6309	2	2		
9	A1481041	NUT, LOCK	M55x1.5	2	2		
10	A1481042	PLATE, LOCK	φ56xφ96x1.5t	2	2		
11	A1481060	GEAR, F/ORIVE(65T,L)		2	2		
12	A1480067	COVER, F/DRIVE		2	2		
13	S154104033	BOLT, HEX	M10x1.25x40L	20	20		
14	S811140001	RING.SNAP	φ14x4t	2	2		
15	A0863130	BEARING, BALL	#6313	2	2		
16	A1480058	O-RING	φ117xW7	4	4		
17	A1480057	RETAINER		4	4		
18	A1481039	SHAFT, REAR AXLE		2	2		
19	A1026360	SEAL, OIL	φ20xφ26x1.5t	2	2		
20	A0610281	PLUG, DRAIN	M20x105	2	2		
21	S421102010	PIN,DOWEL	φ15x20L	2	2		
22	S361140013	WASHER, SPRING	φ14.2xφ24.5x3.5t	16	16		
23	S101144043	BOLT, HEX	M14x2.0x40	16	16		
24	S423102010	PIN, DOWEL	φ10x20L	4	4		
25	A1480096	F/ORV ASSY(RH)		1	1		
26	A1480098	CASE, FINAL DRV(RH)		1	1		
27	A1481062	PINION, F/DRIVE(18T,R)		1	1		

FRONT & REAR WHEEL(490)

FIG. 4-4A



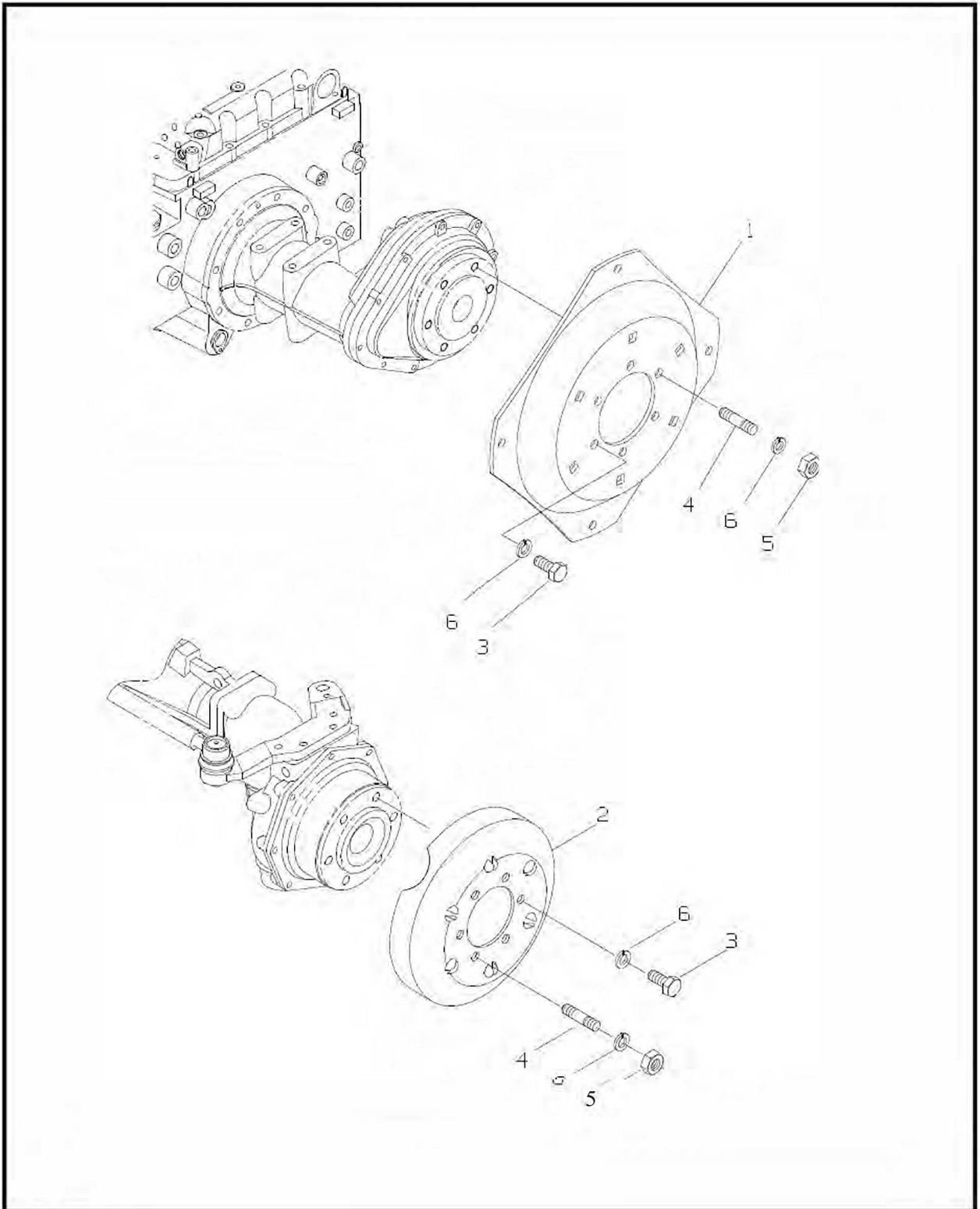
FRONT & REAR WHEEL(490)

FIG. 4-4A

KEY NO.	PART NO.	PART NAME & DESCRIPTION		MODEL & QTY		APPLI. NO.	REMARK
				330HT	360HT		
1	S103163043	BOLT, HEX.	M16x1.5x30L	16	16		
2	S167162523	BOLT, STUD	M16x1.5x25L	8	8		
3	S302160043	NUT, HEX. 1-TY.	M16x1.5	8	8		
4	S361160013	WASHER, SPR. 1-TY_	028/16.2x4T	24	24		

FRONT & REAR WHEEL(490)

FIG. 4-4



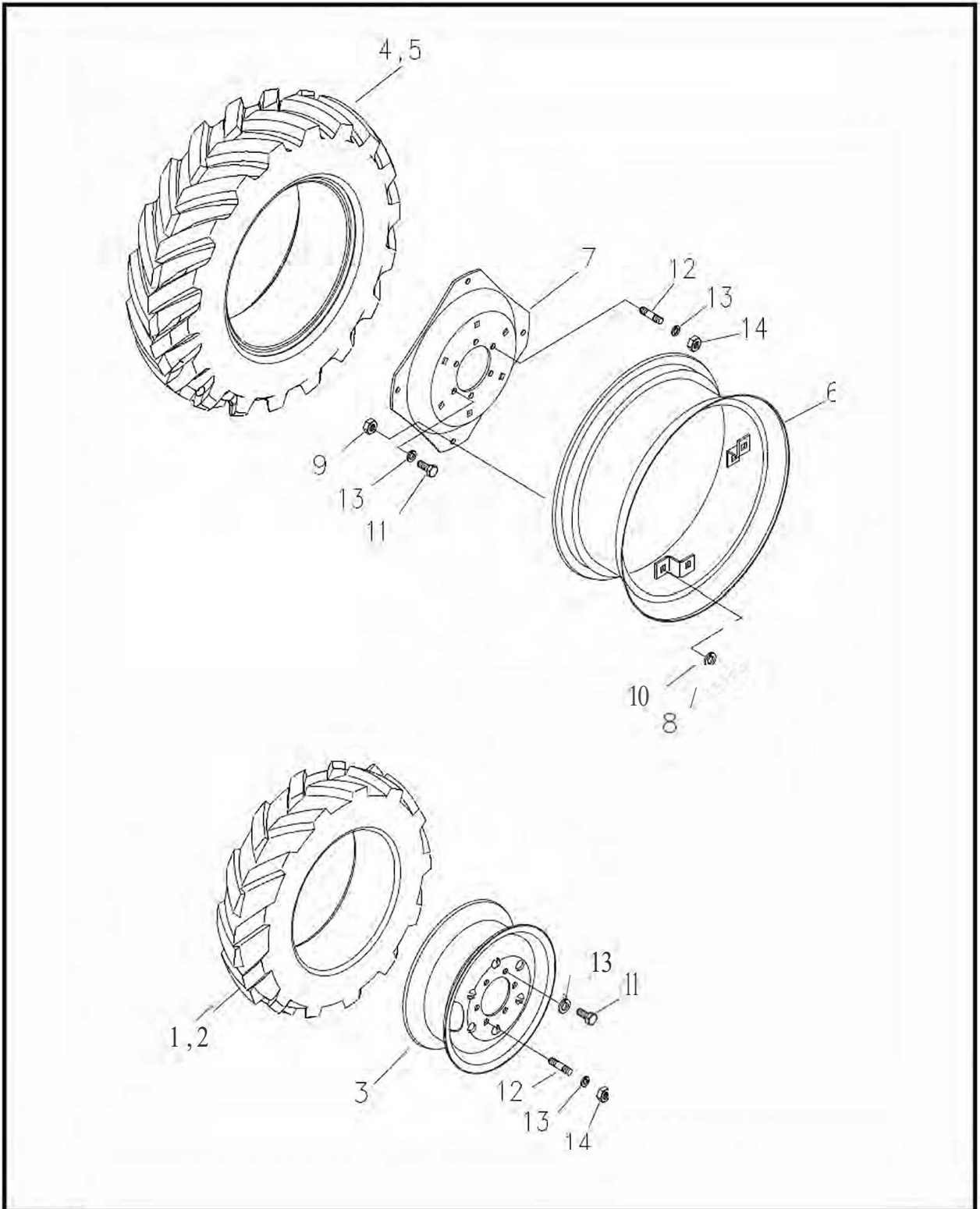
FRONT & REAR WHEEL(490)

FIG. 4-4

KEY NO.	PART NO.	PART NAME & DESCRIPTION		MODEL & QTY		APPLI. NO.	REMARK
				330HT	360HT		
1	A1490186	DISK REAR		2	2		
2	A1490187	DISK FRONT		2	2		
3	S103163043	BOLT, HEX.	M16x1.5x30L	16	16		
4	S167162523	BOLT, STUD	M16x1.5x25L	8	8		
5	S302160043	NUT, HEX. 1-TY.	M16x1.5	8	8		
6	S361160013	WASHER, SPR. 1-TY.	028/16.2x4T	24	24		

FRONT & REAR WHEEL(490)

FIG. 4-4B



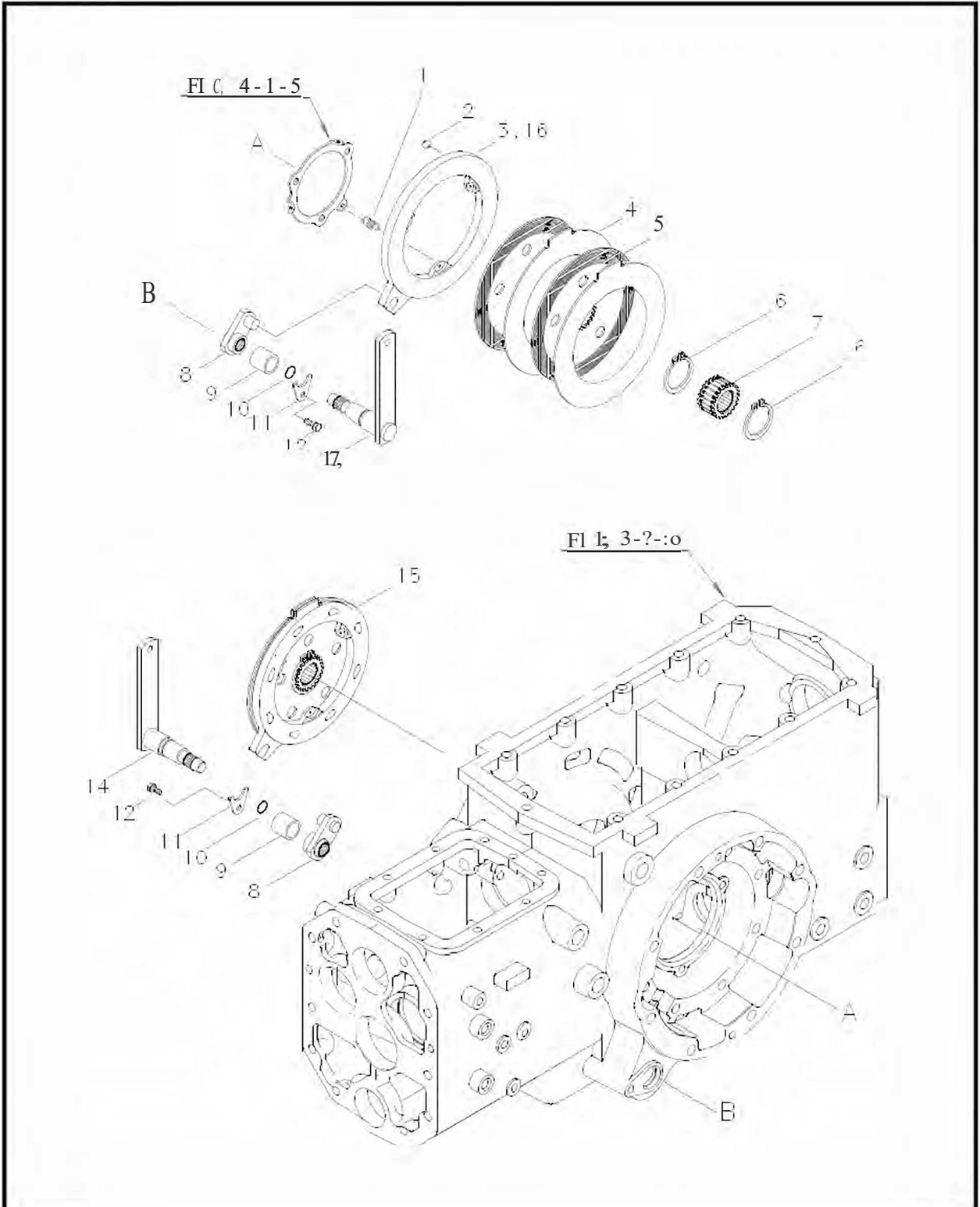
FRONT & REAR WHEEL(490)

FIG. 4-48

KEY NO.	PART NO.	PART NAME & DESCRIPTION		MODEL & QTY		APPLI. NO.	REMARK
				330HT	360HT		
1-2	A1490026	FRONT TIRE ASSY	8-16(4PR)	2	2		
1	A01494003	TUBE FRONT		1	1		
2	A01494002	TIRE FRONT		1	1		
3	A1490207	FRONT RIM ASSY		2	2		
4-5	A1490027	REAR TIRE ASSY	12.4-24(8PR)	2	2		
4	A00010525	TUBE REAR		1	1		
5	A00010524	TIRE REAR		1	1		
6-10	A1490022	REAR RIM ASSY		2	2		
6	A1490023	RIM REAR		1	1		
7	A1490024	DISK REAR		1	1		
8	A1970077	BOLT, HEX		4	4		
9	S306160013	NUT, HEX		4	4		
10	S361160013	WASHER, SPR.		4	4		
11	S103163043	BOLT,HEX	M16x1.5x30L	16	16		
12	S167162523	BOLT, STUD	M16x1.5x25L	8	8		
13	S361160013	WASHER, SPR.	D28/16.2x4T	24	24		
14	S302160043	NUT, HEX	M16x1.5	8	8		

BRAKE(650)

FIG. 4-5



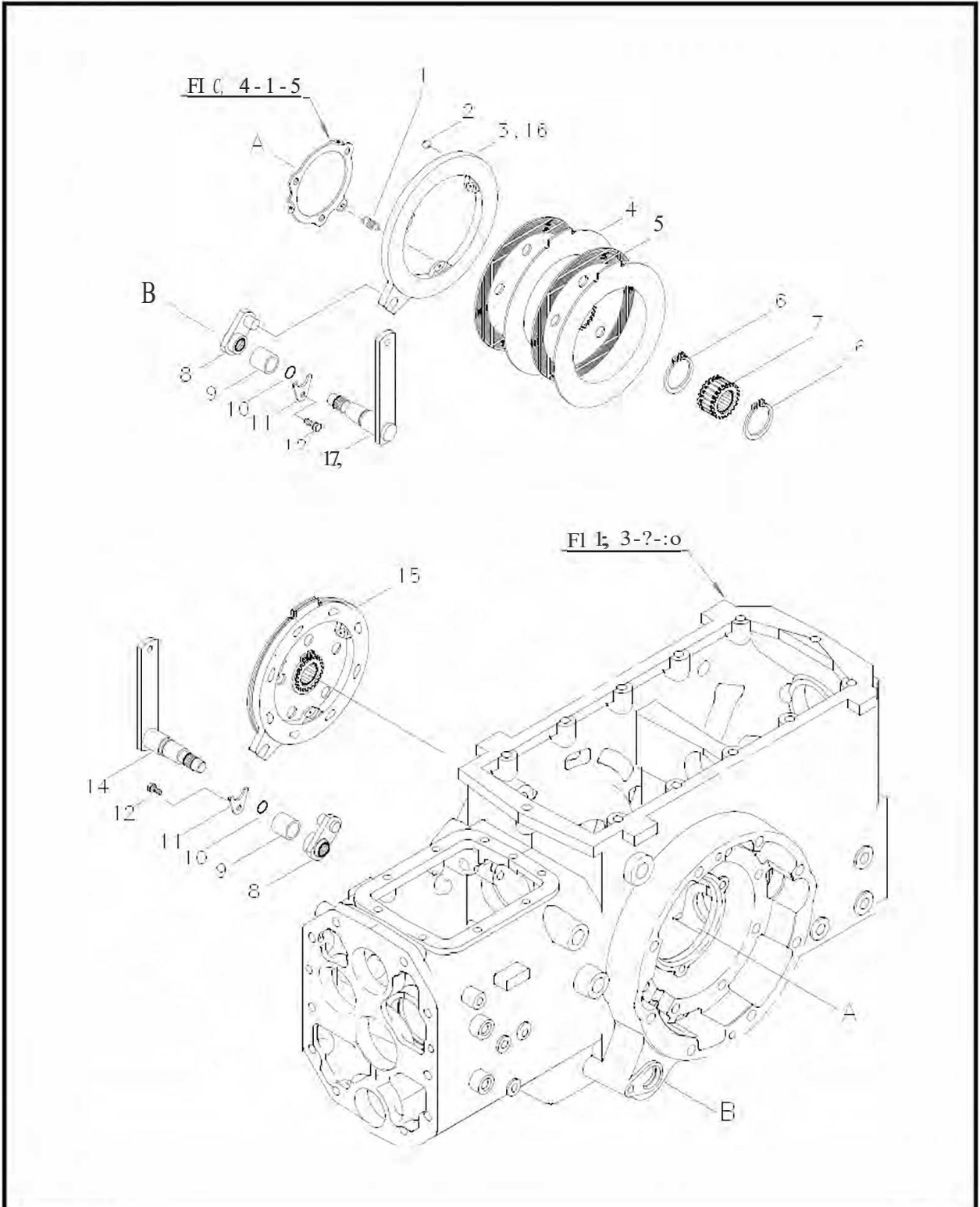
BRAKE(650)

FIG. 4-5

KEY NO.	PART NO.	PART NAME & DESCRIPTION		MODEL & QTY		APPLI. NO.	REMARK
				330HT	360HT		
1-7	A1650072	BRAKE ASSY(LH)		1	1		
1	3A1653010	SPRING	$\phi 2$	6	6		
2	3A1653007	BALL	1/2"	16	16		
3	A1650077	PLATE, CAM(LH)		1	1		
4	A1650107	PLATE, PRESSURE		4	4		
5	A1653063	PLATE, FRICTION		4	4		
6	S810058001	RING.SNAP	C>58ϕ	4	4		
7	A1650078	BOSS, SPLINE		2	2		
8	A1650079	INNER ARM, BRAKE		2	2		
9	A0677815	BUSHING, DU	$\phi 25 \times \phi 28 \times 15L$	2	2		
10	S801025010	O-RING	C>25xW24	2	2		
11	A1650091	PLATE,BRAKELEVER		2	2		
12	S154102033	BOLT, HEX	M10x1.25x20L	2	2		
13	A1650094	LEVER, BRAKE(LH)		1	1		
14	A1650095	LEVER, BREKE(RH)		1	1		
15	A1650071	BRAKE ASSY(RH)		1	1		
16	A1650076	PLATE, CAM(RH)		1	1		

BRAKE(650)

FIG. 4-5



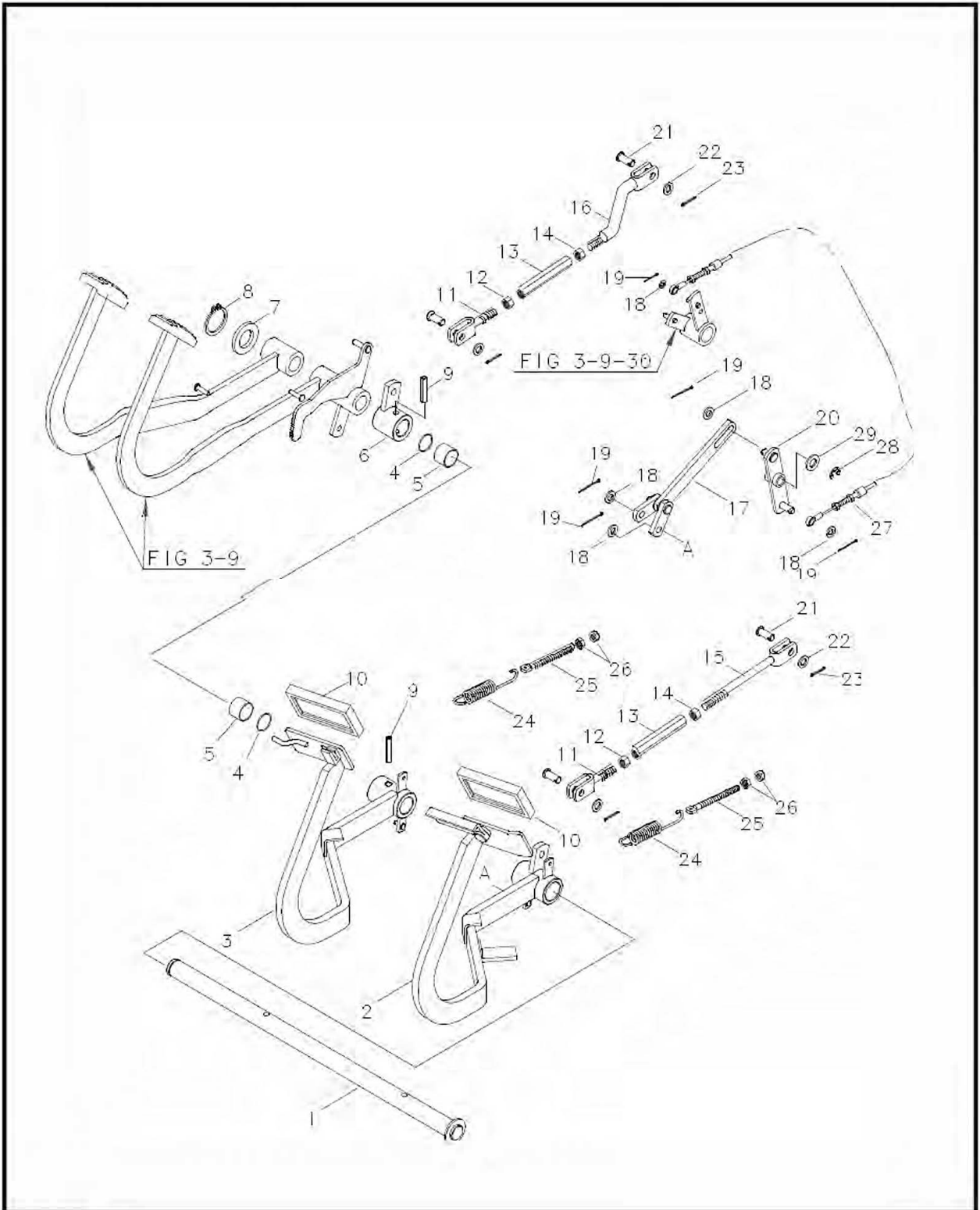
BRAKE(650)

FIG. 4-5

KEY NO.	PART NO.	PART NAME & DESCRIPTION		MODEL & QTY		APPLI. NO.	REMARK
				330HT	360HT		
1-7	A1650072	BRAKE ASSY(LH)		1	1		
1	3A1653010	SPRING	<1>2	6	6		
2	3A1653007	BALL	1/2"	16	16		
3	A1650077	PLATE, CAM(LH)		1	1		
4	A1653065	PLATE, PRESSURE		4	4		
5	A1653063	PLATE, FRICTION		4	4		
6	S810058001	RING.SNAP	<1>58x21	4	4		
7	A1650078	BOSS, SPLINE		2	2		
8	A1650079	INNER ARM, BRAKE		2	2		
9	A0677815	BUSHING, DU	<1>22x125x21 L	2	2		
10	S801022010	O-RING	<1>22xW2.4	2	2		
11	A1650091	PLATE,BRAKELEVER		2	2		
12	S154102033	BOLT, HEX	M10x1.25x20L	2	2		
13	A1650094	LEVER, BRAKE(LH)		1	1		
14	A1650095	LEVER, BREKE(RH)		1	1		
15	A1650071	BRAKE ASSY(RH)		1	1		
16	A1650076	PLATE, CAM(RH)		1	1		

BRAKE PEDAL(670)

FIG. 4-6



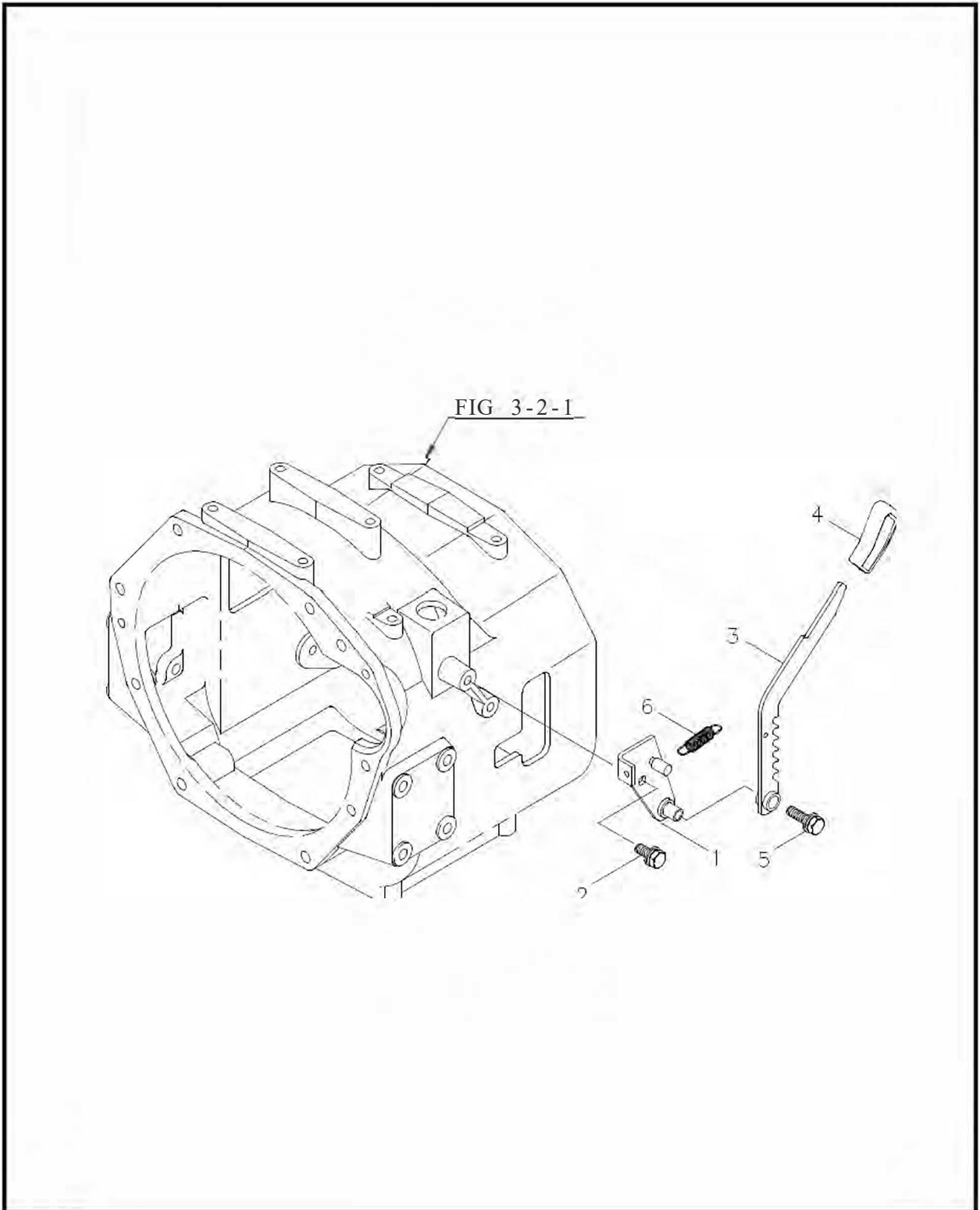
BRAKE PEDAL(670)

FIG. 4-6

KEY NO.	PART NO.	PART NAME & DESCRIPTION	MODEL & QTY		APPLI. NO.	REMARK
			330HT	360HT		
1	A1670249	SHAFT, BRAKE PEDAL	1	1		
2	A1670247	PEDAL, BRAKE (LH)	1	1		
3	A1670248	PEDAL, BRAKE (RH)	1	1		
4	S801025010	O-RING 4>25xW3.5	2	2		
5	A1970203	BUSHING <->25x<->28x20L	2	2		
6	A1670240	ARM, BRAKE	1	1		
7	S364240013	WASHER, PLAIN 4>25x<->44x4.0	1	1		
8	S810025001	RING,SNAP 4>25x1 21	1	1		
9	S446084012	PIN,SPRING 4>8x40L	2	2		
10	A1670084	PAD.PEDAL	2	2		
11-15	A1670245	BRAKE ROD ASSY(LH)	1	1		
11	A1670243	RODB,BRAKE	2	2		
12	S312100013	NUT,HEX M10x1.25	2	2		
13	A1260078	ADJUST	2	2		
14	A0610072	NUT(L), HEX M10x1 .25(L)	2	2		
15	A1670242	RODA.BRAKE	1	1		
11-14,16	A1670246	BRAKE ROD ASSY(RH)	1	1		
16	A1670244	RODC,BRAKE	1	1		
17	A1670259	LINK2, CRUISE	1	1		
18	S363060013	WASHER, PLAIN 4>6.4x<->11.5x1 .6t	5	5		
19	S441162013	PIN, CLIP	5	5		
20	A1670258	LINK1, CRUISE	1	1		
21	A1670118	PIN,CLEVIS 4>10x26L	4	4		
22	S363100013	WASHER, PLAIN 4>10.5x<->18x2.0t	4	4		
23	S441302013	PIN,COTIER 4>3.0x20L	4	4		
24	A1670288	SPRING	2	2		
25	A1260073	ADJUSTER M8x1.25	2	2		
26	S301080043	NUT,HEX M8x1.25	4	4		
27	A1670260	WIRE, CRUISE	1	1		
28	S814006003	RING, SNAP(E) 4>6x0.8t	1	1		
29	S363080013	WASHER, PLAIN 4>8.4x<->15.5x1 .6t	1	1		

PARKING BRAKE LEVER(670}

FIG. 4-7



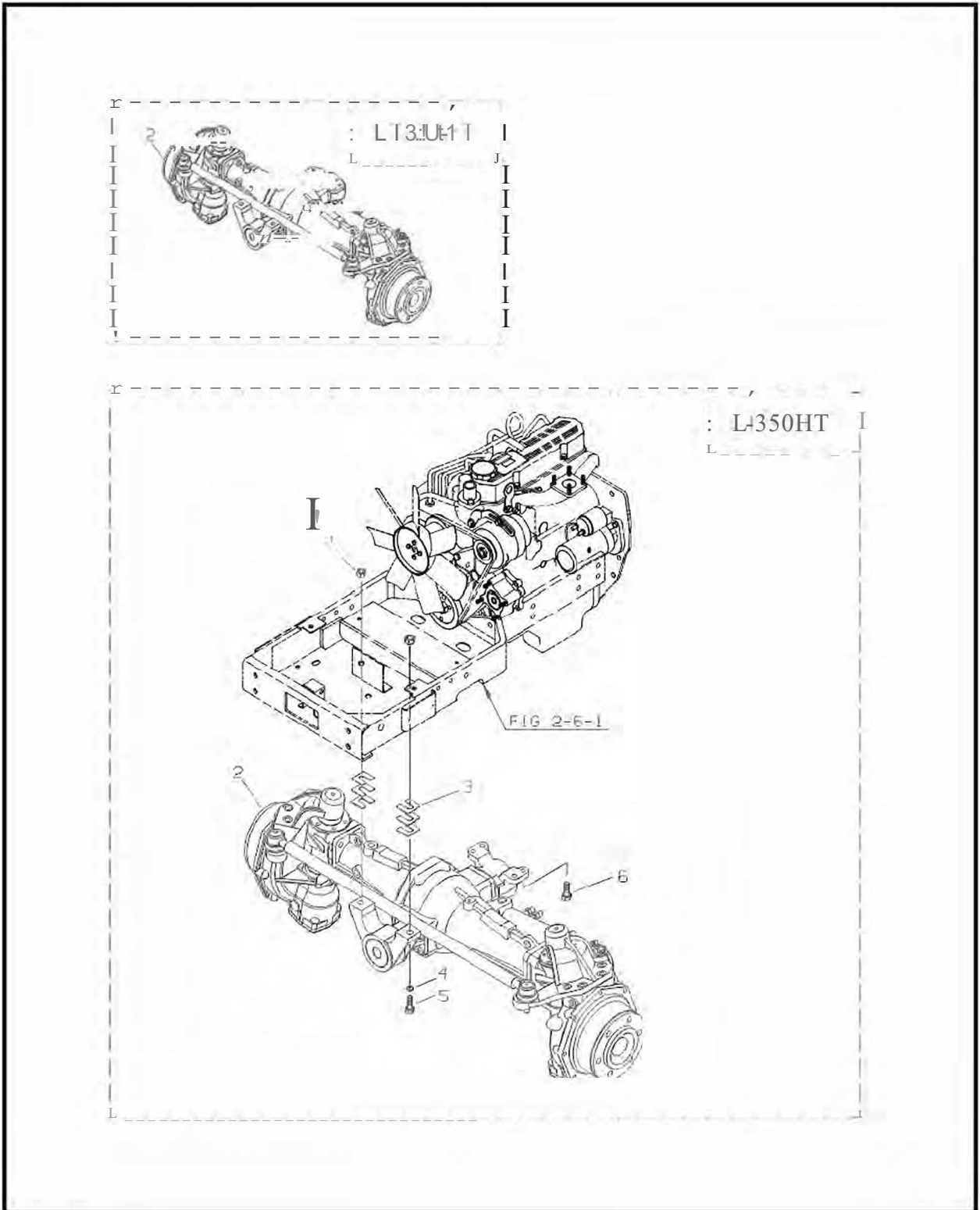
PARKING BRAKE LEVER(670}

FIG. 4-7

KEY NO.	PART NO.	PART NAME & DESCRIPTION		MODEL & QTY		APPLI. NO.	REMARK
				330HT	360HT		
1	A1670241	BRACKET		1	1		
2	S156102533	BOLT, HEX. W/WASHER	M10x1 .25x25L	1	1		
3	A1670239	RATCHET, PARKING		1	1		
4	A1970241	GRIP		1	1		
5	S156103533	BOLT,HEX.W/WASHER	M10x1 .25x35L	1	1		
6	A0691095	SPRING		1	1		

FRONT AXLE ASSY(400)

FIG. 5-1



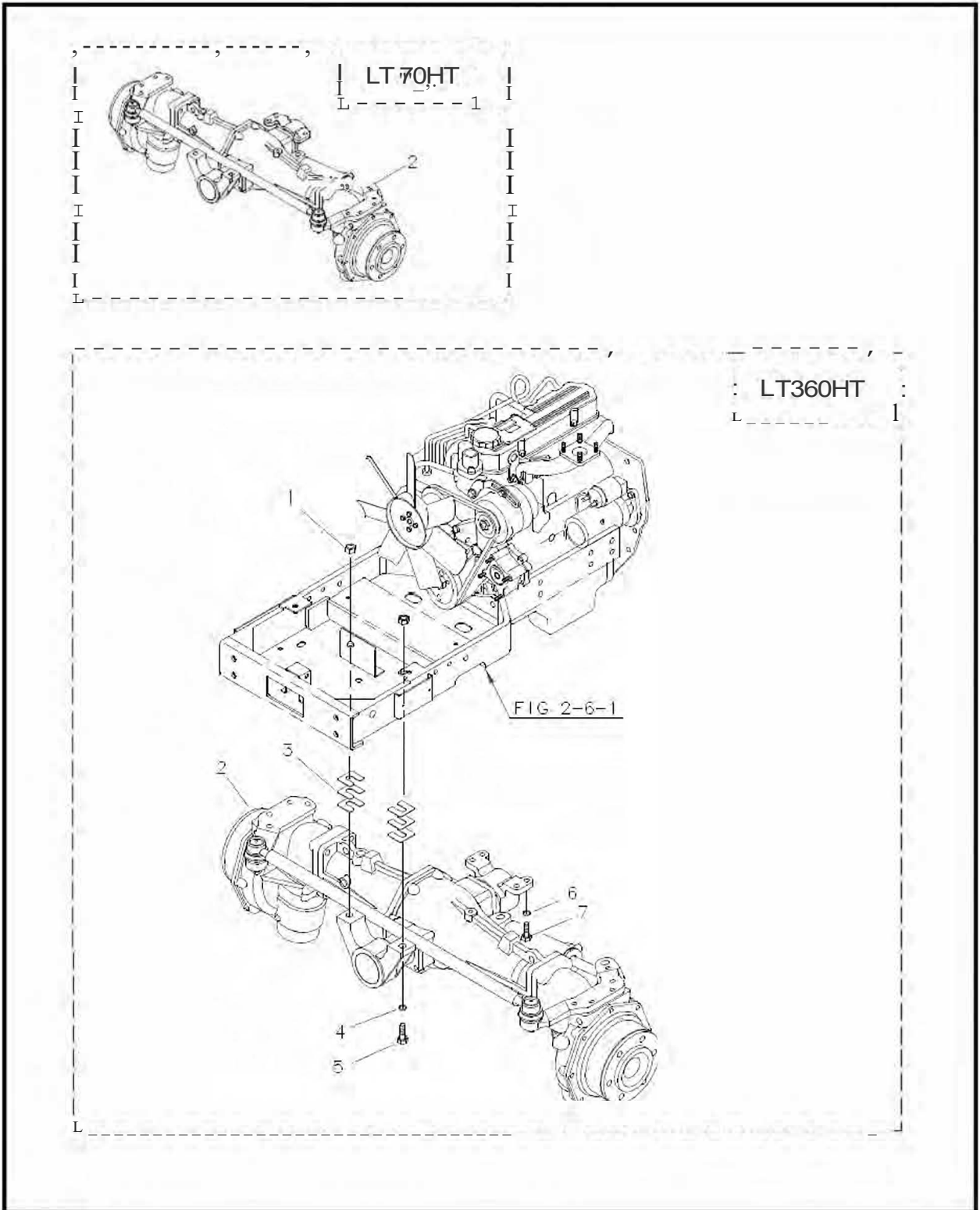
FRONT AXLE ASSY(400)

FIG. 5-1

KEY NO.	PART NO.	PART NAME & DESCRIPTION		MODEL & Q'TY		APPLI. NO.	REMARK
				330HT	360HT		
1	A1400129	NUT, LOCK	M16x1.5	2	2		
2	A1400287	FRONT AXLE ASSY		•	1		
	A1400301	FRONT AXLE ASSY		1			
3	A1400130	SHIM	0.4t	AR	AR		
	A1400131	SHIM	1.2t	AR	AR		
	A1400132	SHIM	2.3t	AR	AR		
4	S361160013	WASHER, SPRING	∅16.2x∅28x4.0t	2	2		
5	S103164543	BOLT, HEX	M16x1.5x45L	2	2		
6	S154123533	BOLT, HEX	M12x125	4	4		

FRONT AXLE ASSY(400)

FIG. 5-1



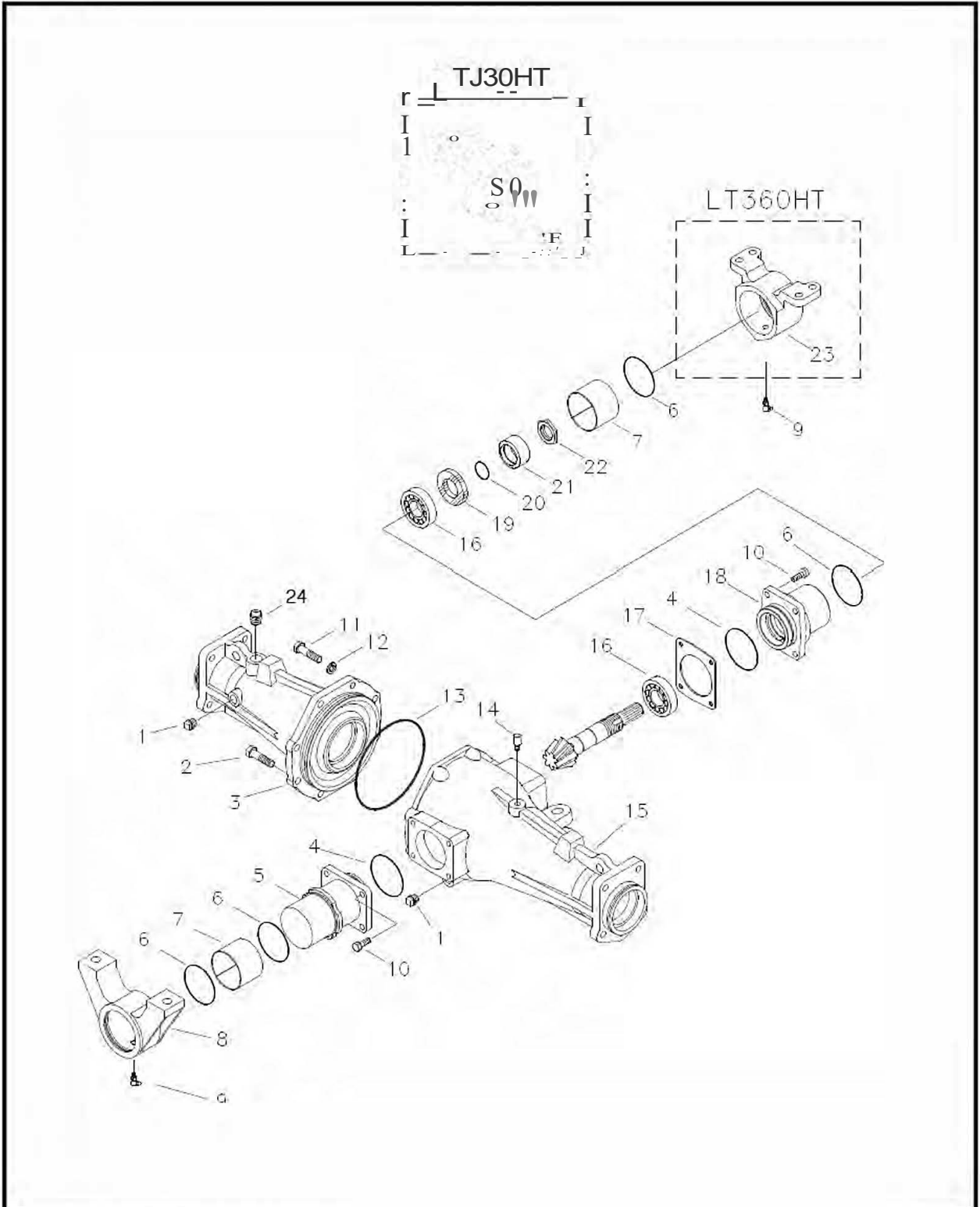
FRONT AXLE ASSY(400)

FIG. 5-1

KEY NO.	PART NO.	PART NAME & DESCRIPTION		MODEL & Q'TY		APPLI. NO.	REMARK
				330HT	360HT		
1	A1400129	NUT, LOCK	M16x1.5	2	2		
2	A1400165	FRONT AXLE ASSY		•	1		
	A1400256	FRONT AXLE ASSY		1			
3	A1400130	SHIM	0.4t	AR	AR		
	A1400131	SHIM	1.2t	AR	AR		
	A1400132	SHIM	2.3t	AR	AR		
4	S361160013	WASHER, SPRING	<1>16.2xct>28x4.0t	2	2		
5	S103164543	BOLT, HEX	M16x1.5x45L	2	2		
6	S361120013	WASHER, SPRING	<1>12.2Xφ>21.5x3.ot	4	4		
7	S107123543	BOLT, HEX	M12x1.25	4	4		

FRONT AXLE CASE(400)

FIG. 5-2



FRONT AXLE CASE(400)

FIG. 5-2

KEY NO.	PART NO.	PART NAME & DESCRIPTION		MODEL & QTY		APPLI. NO.	REMARK
				330HT	360HT		
1	3A1970052	PLUG, TAPER	PT 3/8	2	2		
2	S153123533	BOLT,HEX.W/WASHER	M12x1.75x35	7	7		
3	A1400163	CENTER(RH)		1	1		
4	S802075010	O-RING	D74.4x3.1	2	2		
5	A1400100	HOLDER, F/PIVOT		1	1		
6	S802080010	O-RING	D79.4x3.1	4	4		
7	3A1970006	BUSHING	80x40	2	2		
8	A1400118	BRACKET, FRONT		1	1		
9	3A1970069	NIPPLE, GREASE	PT 1/8	2	2		
10	S154103033	BOLT,HEX.W/WASHER	M10x1.25x30	8	8		
11	3A1970050	BOLT, REAMER	M12x1.75	1	1		
12	S361120013	WASHER, SPRING	∅21.5x∅12.2x3t	1	1		
13	S802175010	O-RING	D174.3x5.7	1	1		
14	3A1400004	BREATHER, AIR		1	1		
15	A1400164	CENTER(LH)		1	1		
16	A1400093	BEARING, TAPER	#32206C (OD62x1D	2	2		
17	3A1970100	SHIM	0.07!	AR	AR		
	3A1970101	SHIM	0.2!	AR	AR		
18	3A1400010	CASE, BEARING		1	1		
19	3A1970012	SEAL, OIL	∅62x∅45x9t	1	1		
20	S801030010	O-RING	D29.7x3.5	1	1		
21	3A1411004	BUSHING, SEAL	∅45x15	1	1		
22	3A1970065	NUT, LOCK	M30x1.5	1	1		
23	A1400119	BRACKET.REAR		•	1		
	A1400042	BRACKET, REAR		1	•		
24	3A1970051	PLUG, TAPER	PT 1/2	1	1		

FRONT AXLE CASE(400)

FIG. 5-2

KEY NO.	PART NO.	PART NAME & DESCRIPTION		MODEL & QTY		APPLI. NO.	REMARK
				330HT	360HT		
1	3A1970052	PLUG, TAPER	PT 3/8	2	2		
2	S153123533	BOLT,HEX.W/WASHER	M12x1.75x35	7	7		
3	A1400163	CENTER(RH)		1	1		
4	S802075010	O-RING	D74.4X3.1	2	2		
5	A1400100	HOLDER, F/PIVOT		1	1		
6	S802080010	O-RING	D79.4X3.1	4	4		
7	3A1970006	BUSHING	80X40	2	2		
8	A1400118	BRACKET, FRONT		1	1		
9	A0730048	NIPPLE, GREASE	PT 1/8	2	2		
10	S154103033	BOLT,HEX.W/WASHER	M10x1.25x30	8	8		
11	3A1970050	BOLT, REAMER	M12x1.75	1	1		
12	S361120013	WASHER, SPRING	<->21.5X<->12.2X3t	1	1		
13	S802175010	O-RING	D174.3X5.7	1	1		
14	3A1400004	BREATHER, AIR		1	1		
15	A1400164	CENTER(LH)		1	1		
16	A1400093	BEARING, TAPER	#32206C (OD62x1D	2	2		
17	3A1970100	SHIM	0.07t	AR	AR		
	3A1970101	SHIM	0.2t	AR	AR		
18	3A1400010	CASE, BEARING		1	1		
19	3A1970012	SEAL, OIL	<->62X<->45X9t	1	1		
20	S801030010	O-RING	D29.7X3.5	1	1		
21	3A1411004	BUSHING, SEAL	<->45X 15	1	1		
22	3A1970065	NUT, LOCK	M30x1.5	1	1		
23	A1400119	BRACKET,REAR		•	1		
	A1410042	BRACKET, REAR		1	•		

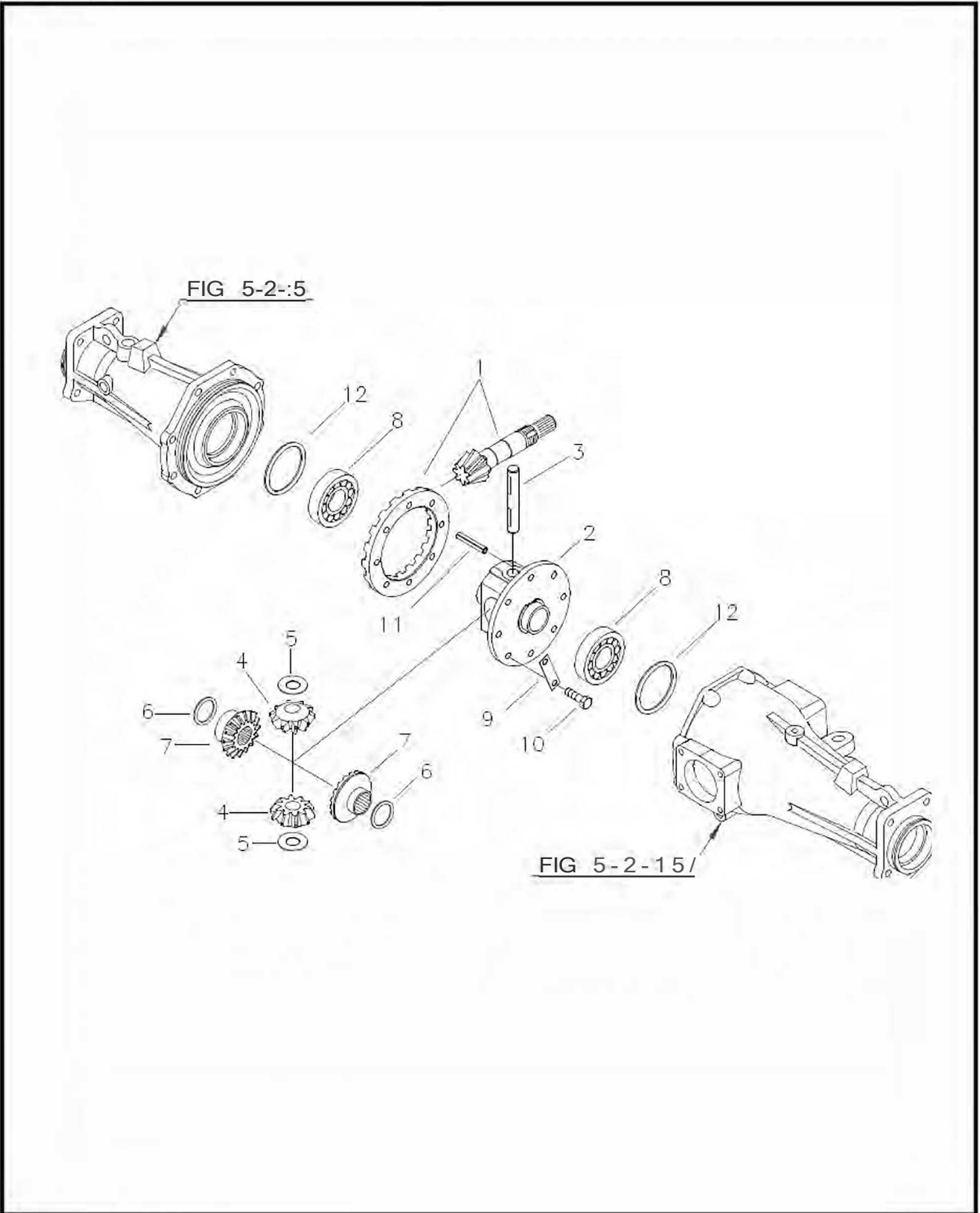
FRONT DIFFERENTIAL(400)

FIG. 5-3

KEY NO.	PART NO.	PART NAME & DESCRIPTION		MODEL & QTY		APPLI. NO.	REMARK
				330HT	360HT		
1-11	2A1415001	DIFF, GEAR ASSY		1	1		
1	A1400172	PINION & RING GEAR SET	6T/37T	1	1		
2	1A1414001	CASE, DIFF		1	1		
3	3A1415004	SHAFT		1	1		
4	A1324060	PINION, MATE	10T	2	2		
5	3A1970123	WASHER, THRUST	0.Bt	2	2		
6	3A1970122	WASHER, THRUST	0.Bt	2	2		
7	A1324062	GEAR, SIDE	16t	2	2		
8	3A1970033	BEARING, BALL	#6210	2	2		
9	A1410041	PLATE, LOCK		4	4		
10	S165102043	BOLT, HEX.F-THUD	M10 \times .25x20L	8	8		
11	S446065012	PIN,SPRING	ϕ 6x50	1	1		
12	3A1970119	SHIM	0.07t	AR	AR		
	3A1970120	SHIM	0.2t	AR	AR		
	3A1970121	SHIM	1.0t	AR	AR		

FRONT DIFFERENTIAL(400)

FIG. 5-3



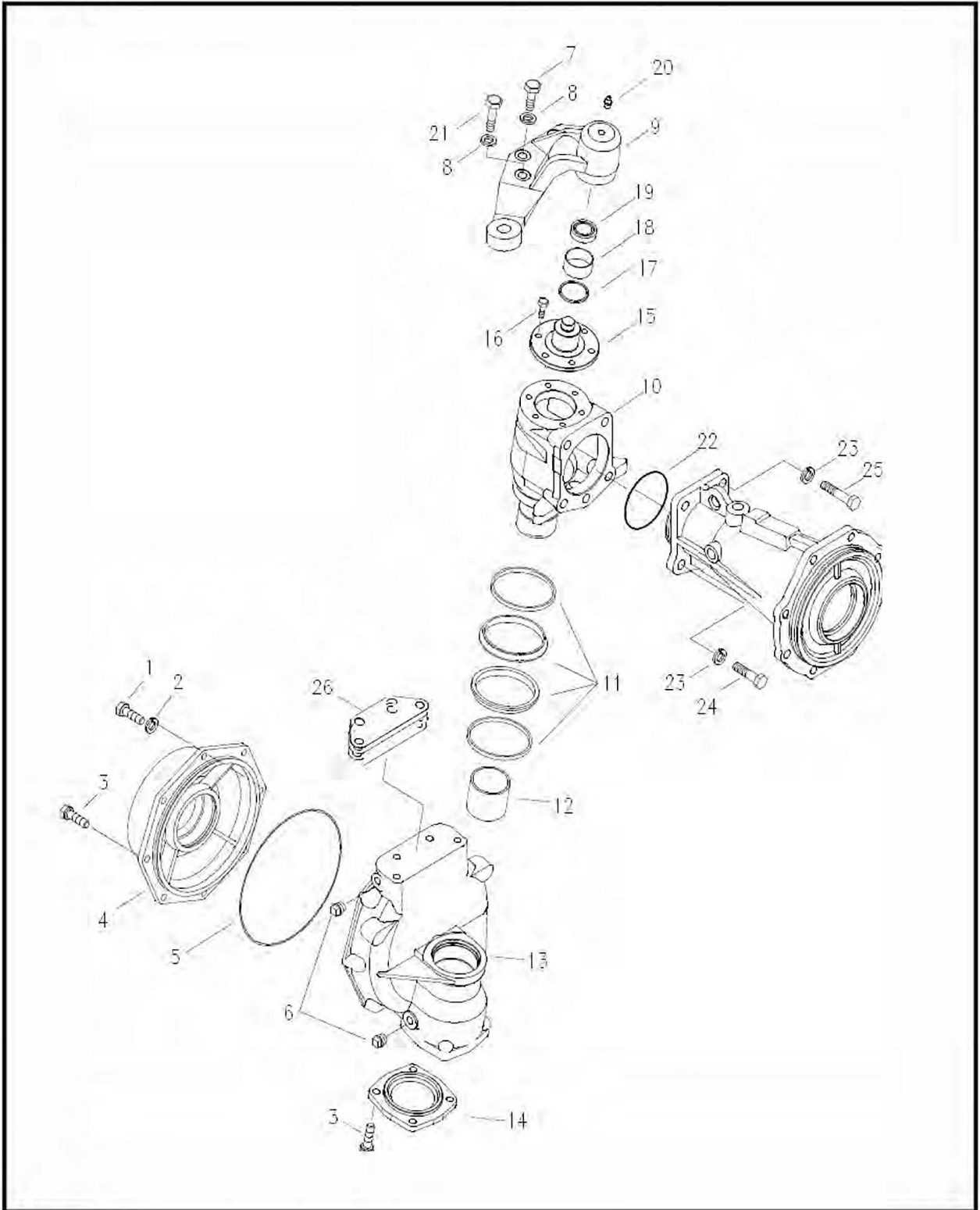
FRONT DIFFERENTIAL(400)

FIG. 5-3

KEY NO.	PART NO.	PART NAME & DESCRIPTION		MODEL & QTY		APPLI. NO.	REMARK
				330HT	360HT		
1-11	2A1415001	DIFF, GEAR ASSY		1	1		
1	A1400172	PINION & RING GEAR SET	6T/37T	1	1		
2	1A1414001	CASE, DIFF		1	1		
3	3A1415004	SHAFT		1	1		
4	A1324060	PINION, MATE	10T	2	2		
5	3A1970123	WASHER, THRUST	0.Bt	2	2		
6	3A1970122	WASHER, THRUST	0.Bt	2	2		
7	A1324062	GEAR, SIDE	16t	2	2		
8	3A1970033	BEARING, BALL	#6210	2	2		
9	3A1411003	PLATE, LOCK		4	4		
10	S165102043	BOLT, HEX.F-THUD	M10 \times .25x20L	8	8		
11	S446065012	PIN, SPRING	ϕ 6x50	1	1		
12	3A1970119	SHIM	0.07t	AR	AR		
	3A1970120	SHIM	0.2t	AR	AR		
	3A1970121	SHIM	1.0t	AR	AR		

FRONT AXLE CASE(400)

FIG. 5-4



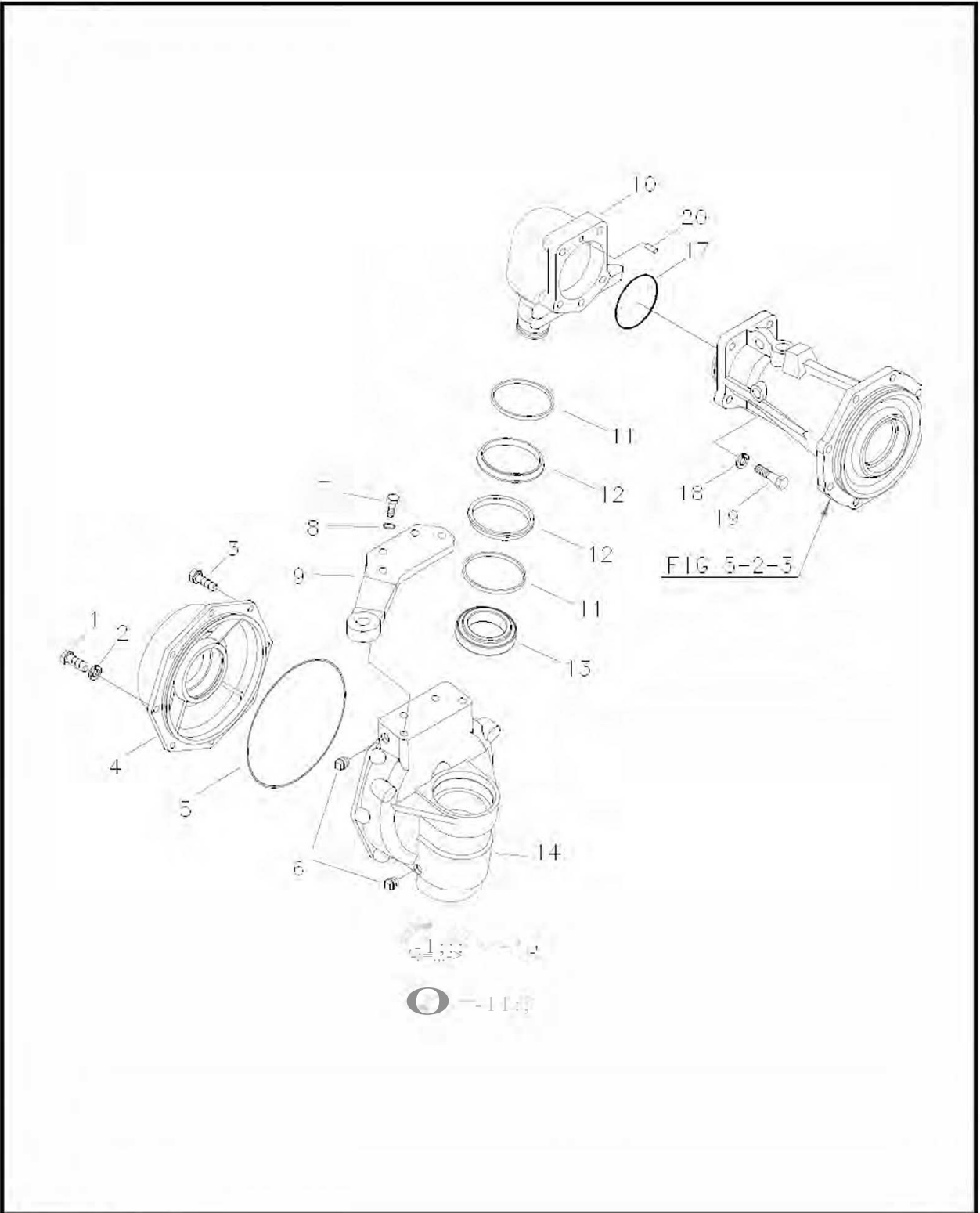
FRONT AXLE CASE(400)

FIG. 5-4

KEY NO.	PART NO.	PART NAME & DESCRIPTION		MODEL & QTY		APPLI. NO.	REMARK
				330HT	360HT		
1	3A1970055	BOLT, REAMER	M10x1.25	1	1		
2	S361100013	WASHER, SPRING	∅18.4x1D.2x2.5t	1	1		
3	S154103033	BOLT, HEX. W/WASHER	M10x1.25x3D	11	11		
4	A1402067	COVER, GEAR CASE		1	1		
5	3A1970056	O-RING	D231x3	1	1		
6	3A1970052	PLUG, TAPER	PT 3/8	2	2		
7	S101123043	BOLT, HEX	M12x1.75x30	2	2		
8	S361120013	WASHER, SPRING	∅21.5x∅12.2x3t	4	4		
9	A1400289	ARM(RH)		1	1		
10	A1400293	CASE, KINGPIN		1	1		
11	A1400168	GROUP SEAL		1	1		
12	A1400077	BUSHING, DU	MB6030DU	1	1		
13	A1400292	CASE, GEAR(RH)		1	1		
14	A1400288	COVER, W/BRG CASE		1	1		
15	A1400286	HOLDER.ARM		1	1		
16	S153082533	BOLT,HEX.W/WASHER	M8x1.25x25	6	6		
17	A0652582	SEAL.DUST	∅4Dx∅48x6.5t	1	1		
18	A0678120	BUSHING	MB4020DU	1	1		
19	A1400076	BEARING, T/ROLLER	#32004XJ	1	1		
20	3A1970069	NIPPLE, GREASE	PT 1/8	1	1		
21	3A1970057	BOLT, REAMER	M12X1.75X35	2	2		
22	S802090010	O-RING	D89.4x3.1	1	1		
23	S361140013	WASHER, SPRING	∅24.5x∅14.2x3.5t	5	5		
24	S101144043	BOLT, HEX	M14x2x4D	4	4		
25	A1970307	BOLT, REAMER	M14x2x5D	1	1		
26	A1402048	SHIM	0.15t	1	1		
	A1402049	SHIM	0.30t	1	1		
	A1402050	SHIM	0.40t	1	1		

FRONT AXLE CASE(400)

FIG. 5-4



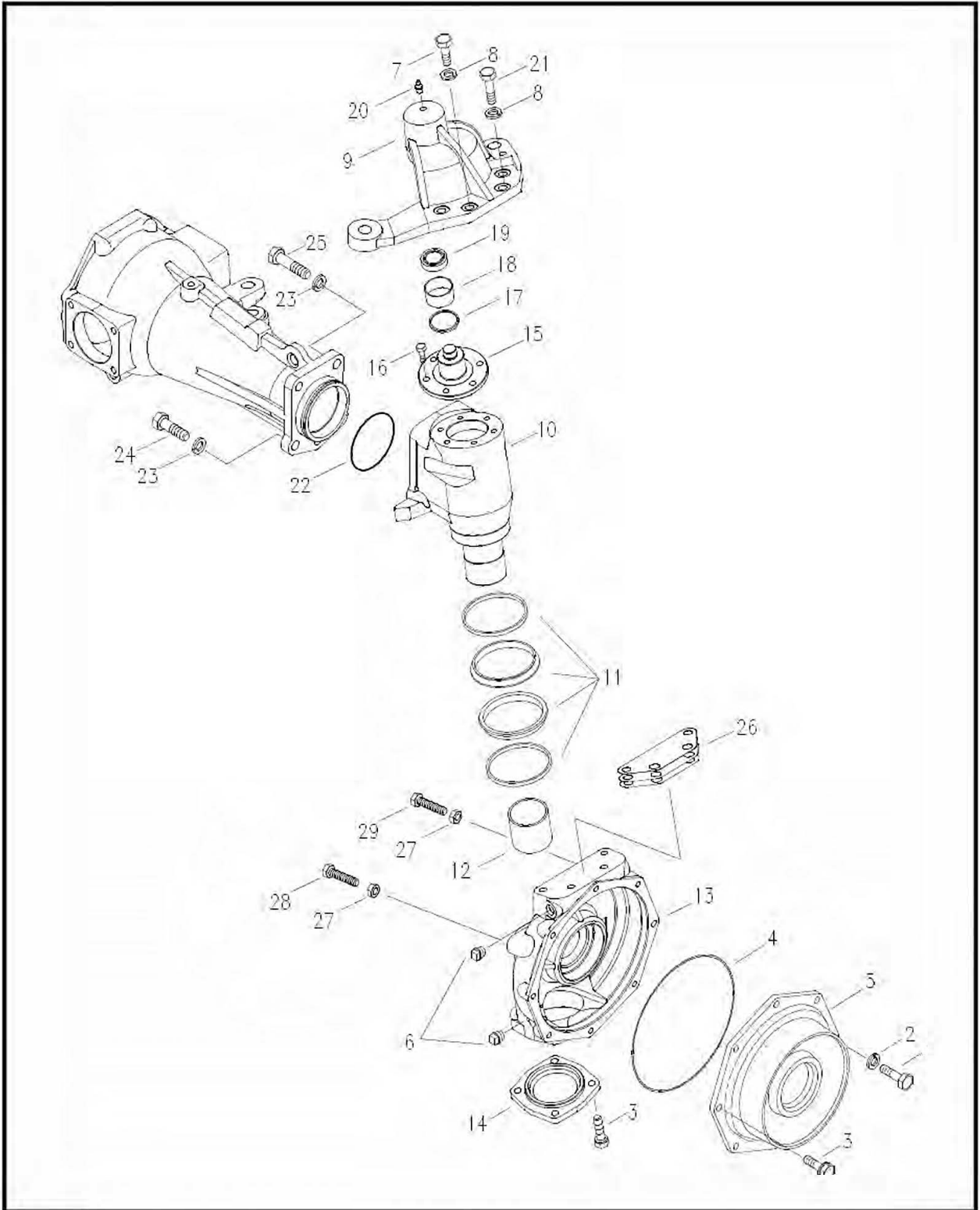
FRONT AXLE CASE(400)

FIG. 5-4

KEY NO.	PART NO.	PART NAME & DESCRIPTION		MODEL & QTY		APPLI. NO.	REMARK
				330HT	360HT		
1	3A1970055	BOLT, REAMER	M10><1.25	1	1		
2	S361100013	WASHER, SPRING	<>10.2x<>18.4x2.5t	1	1		
3	S154103033	BOLT, HEX. W /WASHER	M10x1.25><30L	7	7		
4	A1402067	COVER, GEAR CASE		1	1		
5	3A1970056	O-RING	<>231 x3	1	1		
6	3A1970052	PLUG, TAPER	PT 3/8"	2	2		
7	S101123043	BOLT, HEX	M12x1.75><30L	4	4		
8	S361120013	WASHER, SPRING	<>12.2x<>21.5x3.0t	4	4		
9	A1400116	ARM {R}		1	1		
10	A1400162	CASE, KINGPIN		1	1		
11-12	A1400167	GROUP SEAL		1	1		
11	A1400158	SEAL, O-RING	<>84X6.5J	2	2		
12	A1400157	RETAINER, GROUP SEAL		2	2		
13	A1970267	BEARING, TAPER	#32012XJ	1	1		
14	A1400155	CASE, GEAR {R}		1	1		
15	A1970268	BEARING, TAPER	#30210J	1	1		
16	A1400128	NUT, LOCK	M50x1.5	1	1		
17	S802090010	O-RING	<>89.4xW3.1	1	1		
18	S361140013	WASHER, SPRING	<>14.2X<>24.5x3.5t	5	5		
19	S101144043	BOLT, HEX	M14><2x40L	4	4		
20	A1970307	BOLT, REAMER	M14><2x50L	1	1		

FRONT AXLE CASE(400)

FIG. 5-5



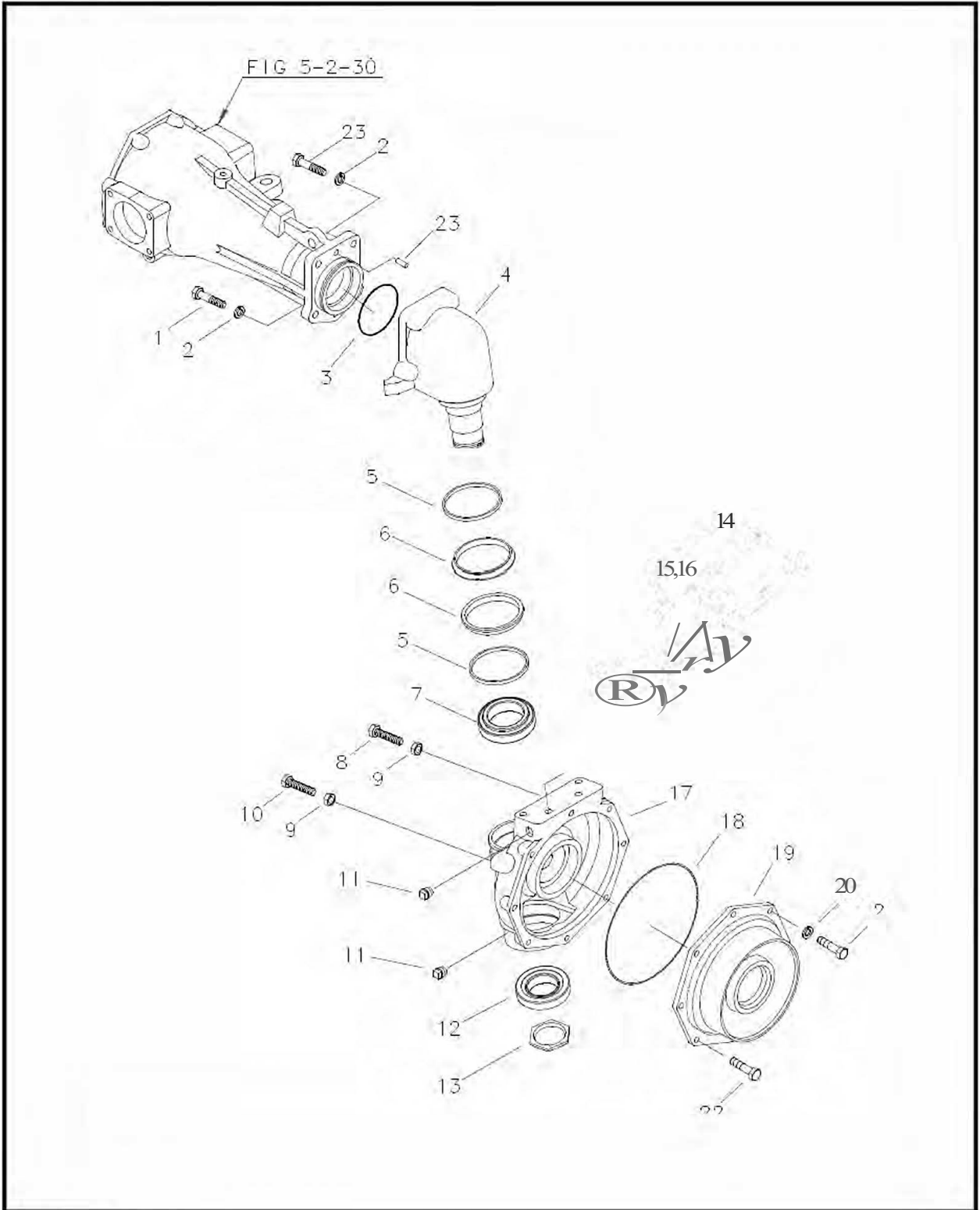
FRONT AXLE CASE(400)

FIG. 5-5

KEY NO.	PART NO.	PART NAME & DESCRIPTION		MODEL & QTY		APPLI. NO.	REMARK
				330HT	360HT		
1	3A1970055	BOLT, REAMER	M10x1.25	1	1		
2	S361100013	WASHER, SPRING	◁▷18.4x1D.2x2.5t	1	1		
3	S154103033	BOLT, HEX. W/WASHER	M10x1.25x30	11	11		
4	A1402067	COVER, GEAR CASE		1	1		
5	3A1970056	O-RING	D231x3	1	1		
6	3A1970052	PLUG, TAPER	PT 3/8	2	2		
7	S101123043	BOLT, HEX	M12x1.75x30	2	2		
8	S361120013	WASHER, SPRING	◁▷21.5x◁▷12.2x3t	4	4		
9	A1400290	ARM(LH)		1	1		
10	A1400293	CASE, KINGPIN		1	1		
11	A1400168	GROUP SEAL		1	1		
12	A1400077	BUSHING, DU	MB6030DU	1	1		
13	A1400291	CASE, GEAR(LH)		1	1		
14	A1400288	COVER, W/BRG CASE		1	1		
15	A1400286	HOLDER,ARM		1	1		
16	S153082533	BOLT,HEX.W/WASHER	M8x1.25x25	6	6		
17	A0652582	SEAL.DUST	◁▷4Dx◁▷48x6.5t	1	1		
18	A0678120	BUSHING	MB4020DU	1	1		
19	A1400076	BEARING, T/ROLLER	#32004XJ	1	1		
20	3A1970069	NIPPLE, GREASE	PT 1/8	1	1		
21	3A1970057	BOLT, REAMER	M12X1.75X35	2	2		
22	S802090010	O-RING	D89.4x3.1	1	1		
23	S361140013	WASHER, SPRING	◁▷24.5x◁▷14.2x3.5t	5	5		
24	S101144043	BOLT, HEX	M14x2x40	4	4		
25	A1970307	BOLT, REAMER	M14x2x5D	1	1		
26	A1402048	SHIM	0.15t	1	1		
	A1402049	SHIM	0.30t	1	1		
	A1402050	SHIM	0.40t	1	1		
27	S301120043	NUT, HEX. 1-TY	M12x1.75	2	2		
28	S101125543	BOLT, HEX.	M12x1.75x55	1	1		
29	S163123543	BOLT, HEX. F-THRD	M12x1.75x35	1	1		

FRONT AXLE CASE(400)

FIG. 5-5



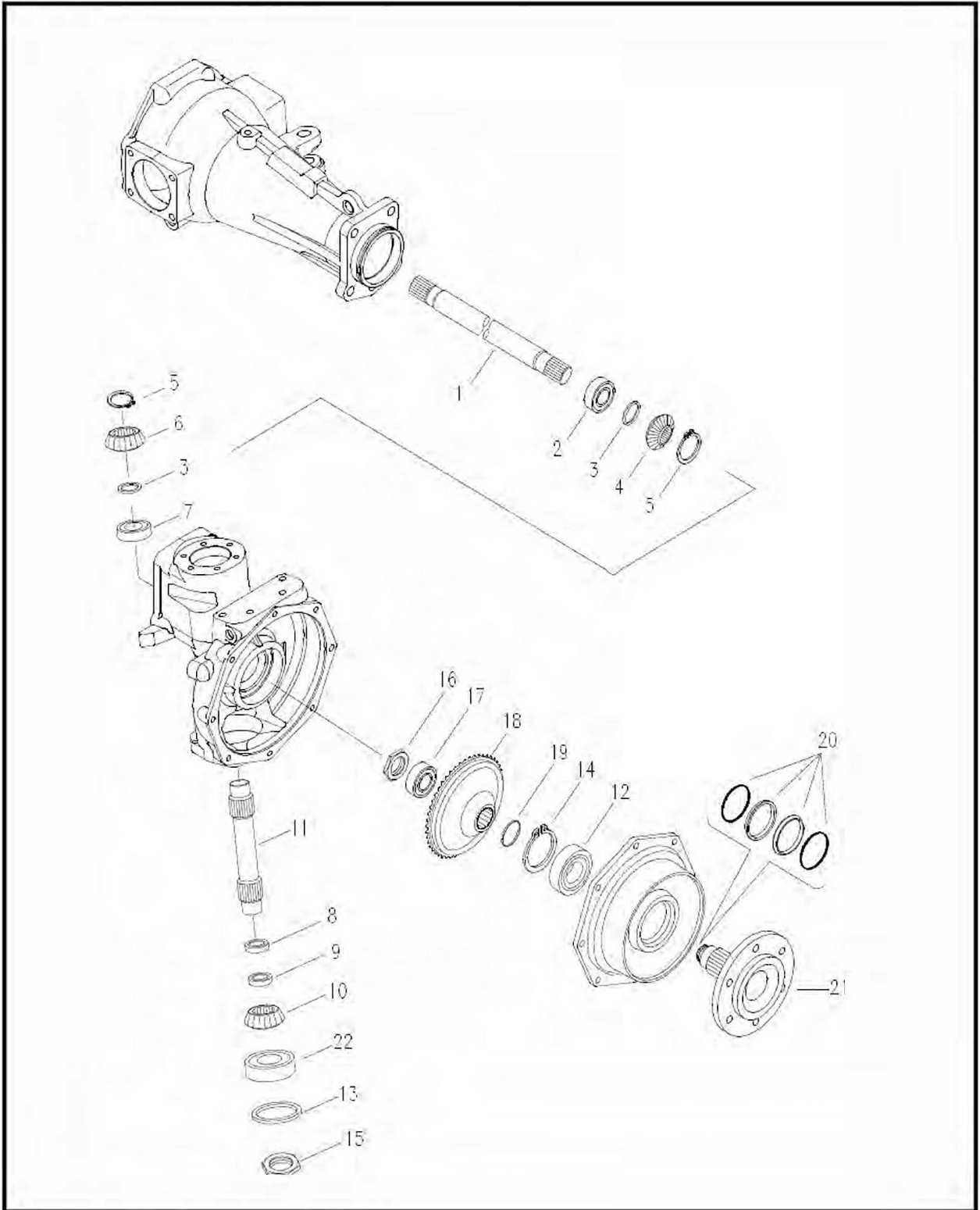
FRONT AXLE CASE(400)

FIG. 5-5

KEY NO.	PART NO.	PART NAME & DESCRIPTION	MODEL & QTY		APPLI. NO.	REMARK
			330HT	360HT		
1	S101144043	BOLT, HEX	M14x20x40L	4	4	
2	S361140013	WASHER, SPRING	<1>14.2x<24.5><3.5t	5	5	
3	S802090010	O-RING	<89.4>x3.1	1	1	
4	A1400162	CASE, KINGPIN		1	1	
5-6	A1400167	GROUP SEAL		1	1	
5	A1400158	SEAL, O-RING	<84><65	2	2	
6	A1400157	RETAINER, GROUP SEAL		2	2	
7	A1970267	BEARING, TAPER	#32012XJ	1	1	
8	S163123543	BOLT, HEX. F-THRD	M12x1.75x35L	1	1	
9	S301120043	NUT, HEX .1-TY	M12x1.75	2	2	
10	S101125543	BOLT, HEX	M12x1.75x55L	1	1	
11	3A1970052	PLUG, TAPER	PT 3/8"	2	2	
12	A1970268	BEARING, TAPER	#30210J	1	1	
13	A1400128	NUT, LOCK	M50x1.5	1	1	
14	S101123043	BOLT, HEX	M12x1.75x30L	4	4	
15	S361120013	WASHER, SPRING	<12.2>x<21.5>x3t	4	4	
16	A1400117	ARM (L)		1	1	
17	A1400156	CASE, GEAR (L)		1	1	
18	3A1970056	O-RING	<1>231x3	1	1	
19	A1402067	COVER, GEAR CASE		1	1	
20	S361100013	WASHER, SPRING	<1>10.2x<18.4>x2.5t	1	1	
21	3A1970055	BOLT, REAMER	M10x1.25	1	1	
22	S154103033	BOLT, HEX. W /WASHER	M10x1.25x30L	7	7	
23	A1970307	BOLT, REAMER	M14x20x50L	1	1	

FRONT DRIVE(400)

FIG. 5-6



FRONT DRIVE(400)

FIG. 5-6

KEY NO.	PART NO.	PART NAME & DESCRIPTION		MODEL & QTY		APPLI. NO.	REMARK
				330HT	360HT		
1	A1400120	SHAFT, F/DIFF		2	2		
2	A0863070	BEARING, BALL	#6307 (008Qx1035)	2	2		
3	A0870108	LINER	0.15t	AR	AR		
	A0870109	LINER	0.4t	AR	AR		
	A0870110	LINER	a.st	AR	AR		
4	A1400121	GEAR	14t	2	2		
5	S810030001	RING,SNAP		4	4		
6	A1400153	GEAR	15t	2	2		
7	A1400093	BEARING, TAPER	#32206C (OD62x10)	2	2		
8	3A1970034	BEARING, THRUST	NSK51107 (OD52x1)	2	2		
9	A1400127	SPACER		2	2		
10	A1400124	GEAR	14t	2	2		
11	A1400123	SHAFT, KINGPIN		2	2		
12	A0862100	BEARING, BALL	#6210 (OD90x1050)	2	2		
13	3A1970119	LINER	0.07t	AR	AR		
14	3A1970120	LINER	0.2t	AR	AR		
	S811090001	RING,SNAP	#30210	2	2		
15	A1281034	NUT, LOCK	M25x1.5	2	2		
16	A1402047	NUT, LOCK	M30x1.5	2	2		
17	A0863080	BEARING, BALL	#6308 (009Qx1040)	2	2		
18	A1402044	GEAR	38t	2	2		
19	3A1970112	LINER	0.4t	AR	AR		
	3A1970113	LINER	0.6t	AR	AR		
	3A1970114	LINER	0.8t	AR	AR		
	3A1970115	LINER	1.0t	AR	AR		
20	A1400168	GROUP SEAL		2	2		
21	A1402068	SHAFT.AXLE		2	2		
22	A26799980	BEARING, T/ROLLER	#30210	2	2		

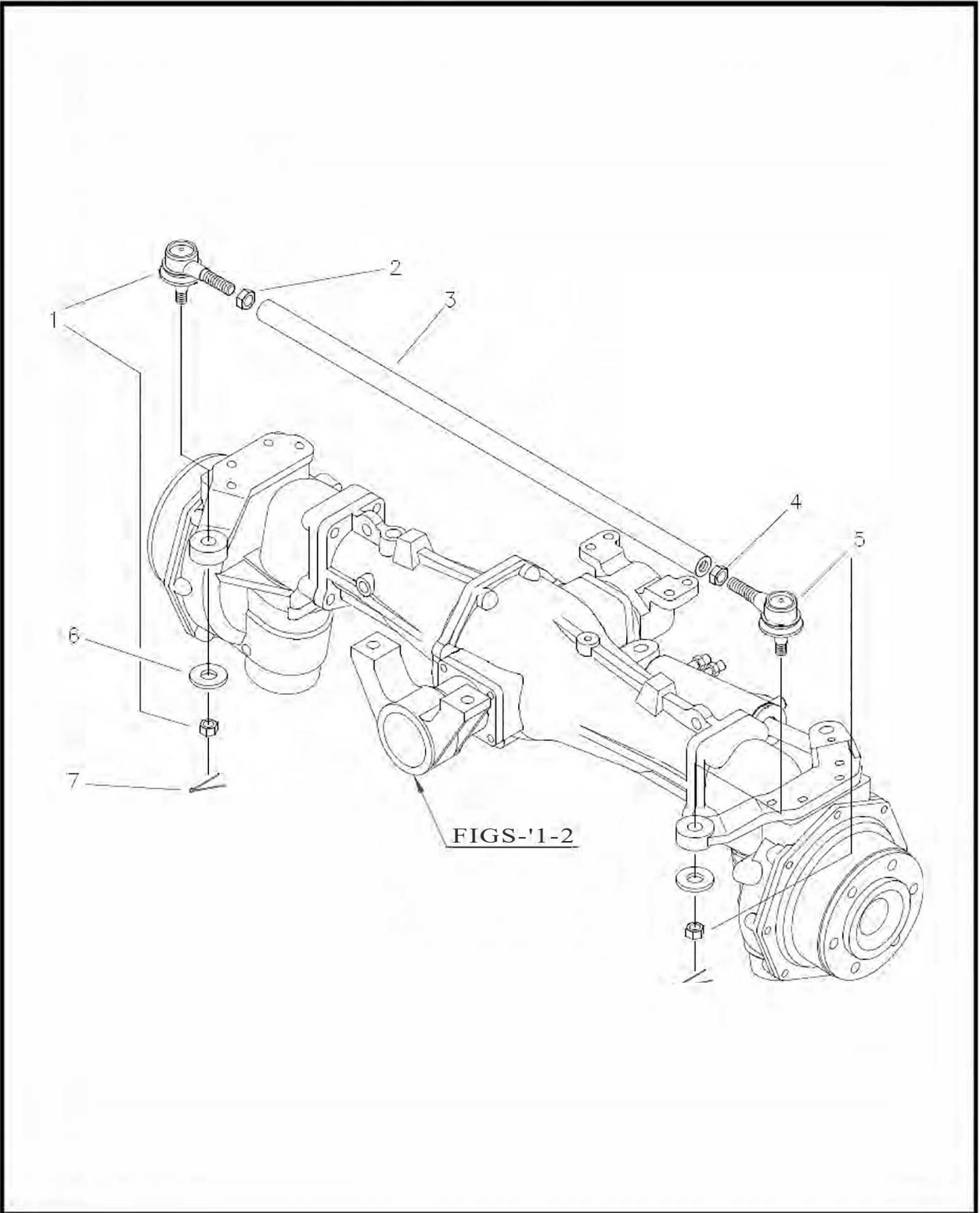
FRONT DRIVE(400)

FIG. 5-6

KEY NO.	PART NO.	PART NAME & DESCRIPTION		MODEL & QTY		APPLI. NO.	REMARK
				330HT	360HT		
1	A1400120	SHAFT, F/DIFF		2	2		
2	3A1970031	BEARING, BALL	#6307	2	2		
3	A0870108	LINER	0.15t	AR	AR		
	A0870109	LINER	0.4t	AR	AR		
	A0870110	LINER	0.5t	AR	AR		
4	A1400121	GEAR	14T	2	2		
5	S810030001	SNAP, RING		4	4		
6	A1400153	GEAR	15T	2	2		
7	A1400093	BEARING, TAPER	#32206C	2	2		
8	3A1970034	BEARING, THRUST	NSK51107	2	2		
9	A1400127	SPACER		2	2		
10	A1400124	GEAR	14T	2	2		
11	A1400123	SHAFT, KINGPIN		2	2		
12	3A1970033	BEARING, BALL	#6210	4	4		
13	3A1970119	LINER	0.07t	AR	AR		
	3A1970120	LINER	0.2t	AR	AR		
	3A1970121	LINER	1.0t	AR	AR		
14	S811090001	RING.SNAP		4	4		
15	A1281034	NUT, LOCK	M25x1.5	2	2		
16	A1653D44	COVER,RUBBER	<1>90x10	2	2		
17	A1402D47	NUT, LOCK	M30x<1.5	2	2		
18	3A1970032	BEARING, BALL	#6308	2	2		
19	A1402D44	GEAR	38T	2	2		
20	3A1970112	LINER	0.4t	AR	AR		
	3A1970113	LINER	0.6t	AR	AR		
	3A1970114	LINER	0.8t	AR	AR		
	3A1970115	LINER	1.0t	AR	AR		
21-22	A1400168	GROUP SEAL		2	2		
21	A1400D66	SEAL	<1>64.5x4.8	4	4		
22	A1400094	RETAINER		4	4		
23	A1400074	HOUSING, G-SEAL		2	2		
24	S804055010	O-RING		2	2		
25	A1402D68	SHAFT.AXLE		2	2		

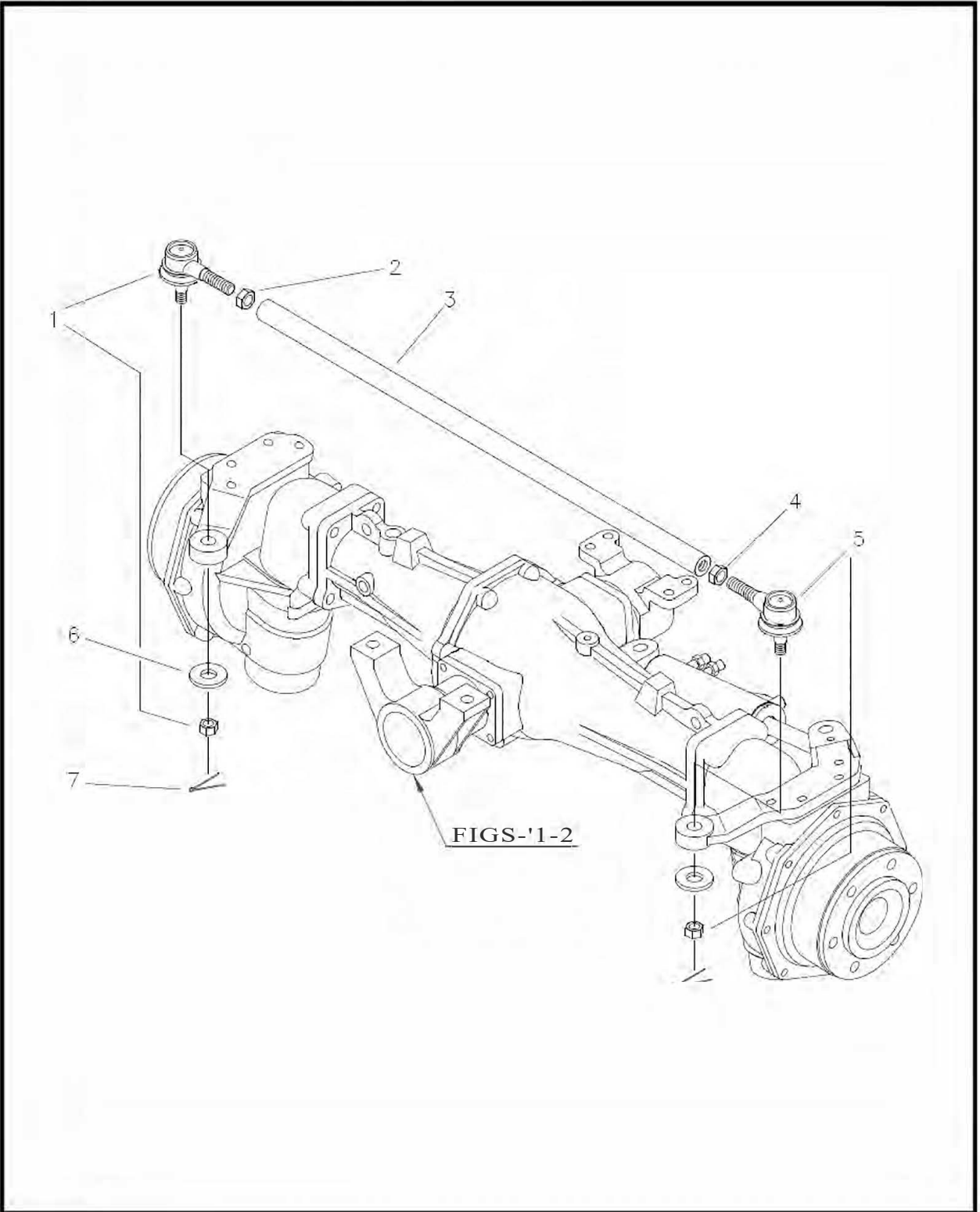
TIE ROD(610)

FIG. 6-1



TIE ROD(610)

FIG. 6-1



TIE ROD(610)

FIG. 6-1

KEY NO.	PART NO.	PART NAME & DESCRIPTION		MODEL & QTY		APPLI. NO.	REMARK
				330HT	360HT		
1-5	A1610031	TIERODASSY	930L	1	1		
1	A1610036	ENDASSY(R)		1	1		
2	S306180043	NUT, HEX (R)	M18x1.5	1	1		
3	A1610034	PIPE, TIEROD	784L	1	1		
4	A1610023	NUT, HEX (L)	M18x1.5	1	1		
5	A1610035	ENDASSY (L)		1	1		
6	S365164013	WASHER, PLAIN	3t	2	2		
7	S441403613	PIN,COTIER	C-436	2	2		

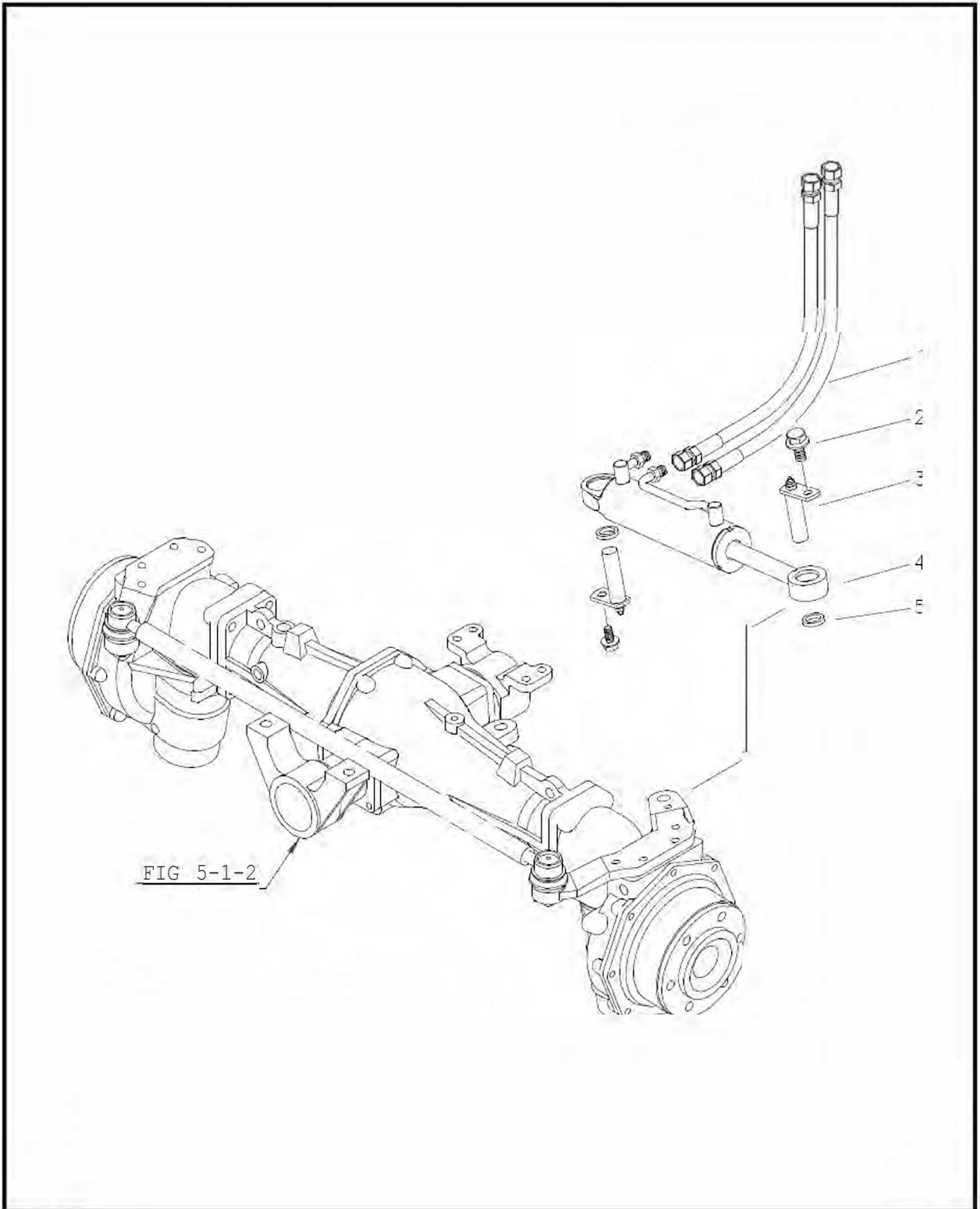
TIE ROD(610)

FIG. 6-1

KEY NO.	PART NO.	PART NAME & DESCRIPTION		MODEL & QTY		APPLI. NO.	REMARK
				330HT	360HT		
1-5	A1610031	TIERODASSY	930L	1	1		
1	A1610036	ENDASSY(R)		1	1		
2	S306180043	NUT, HEX (R)	M18x1.5	1	1		
3	A1610034	PIPE, TIEROD	784L	1	1		
4	A1610023	NUT, HEX (L)	M18x1.5	1	1		
5	A1610035	ENDASSY (L)		1	1		
6	A1402060	WASHER, PLAIN	3t	2	2		
7	S441403613	PIN,COTIER	C-436	2	2		

STEERING CYLINDER(630)

FIG. 6-2



STEERING CYLINDER(630)

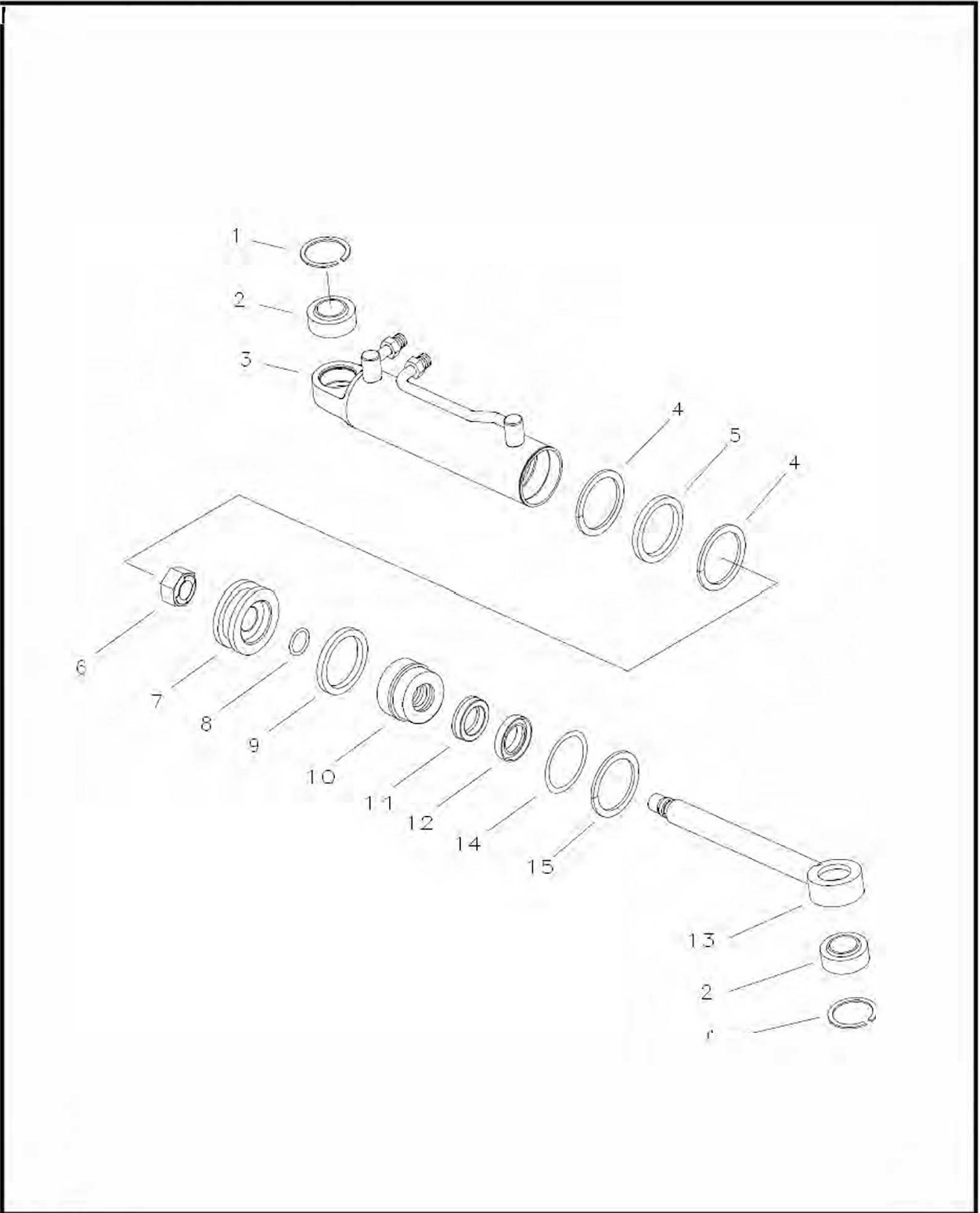
FIG. 6-2

AG. VA, TF

KEY NO.	PART NO.	PART NAME & DESCRIPTION		MODEL & QTY		APPLI. NO.	REMARK
				330HT	360HT		
1	A1630245	HOSE, STR CYLINDER	410L	2	2		
2	S154102033	BOLT, HEX	M10x1.25x<20L	2	2		
3	A1630327	PIN, CYLINDER		2	2		
4	A1630293	STR CYLINDER ASSY	293-446	1	1		
5	A1630135	SPACER	\$20x<5!	2	2		

STEERING CYLINDER(630)

FIG. 6-3



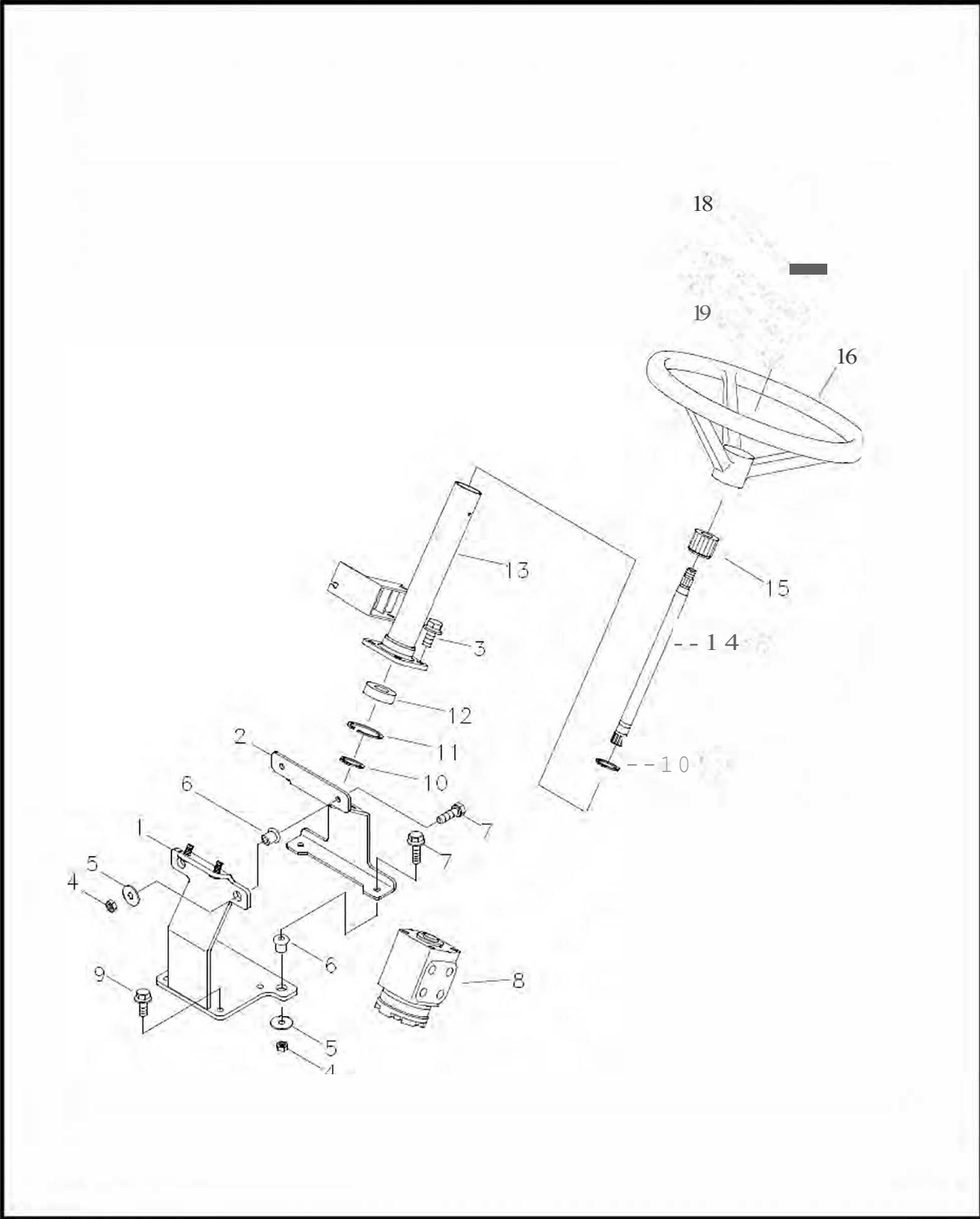
STEERING CYLINDER(630)

FIG. 6-3

KEY NO.	PART NO.	PART NAME & DESCRIPTION		MODEL & QTY		APPLI. NO.	REMARK
				330HT	360HT		
1-15	A1630293	STR CYLINDER ASSY	293-446	1	1		
1	S813035001	RING,SNAP	∅35	2	2		
2	A1630159	BUSHING, BALL		2	2		
3	A1630319	CYLINDER ASSY		1	1		
4	A1630161	RING, BACKUP	∅50	2	2		
5	A1630162	O-RING	$\langle \! \rangle 43.7 \times 3.5$	1	1		
6	A1630160	NUT, LOCK	M16 \times 2	1	1		
7	A1630321	PISTON	∅50	1	1		
8	S801014010	O-RING	$\langle \! \rangle 13.8 \times 2.4$	1	1		
9	S801046010	O-RING	$\langle \! \rangle 45.7 \times 3.5$	1	1		
10	A1630322	SLEEVE		1	1		
11	A1630163	U-PACKING	∅224	1	1		
12	A1630164	SEAL, DUST	∅224	1	1		
13	A1630320	ROD, PISTON	∅224	1	1		
14	A1630323	RING, WIRE	∅2	1	1		
15	A1630324	RING.STOP		1	1		

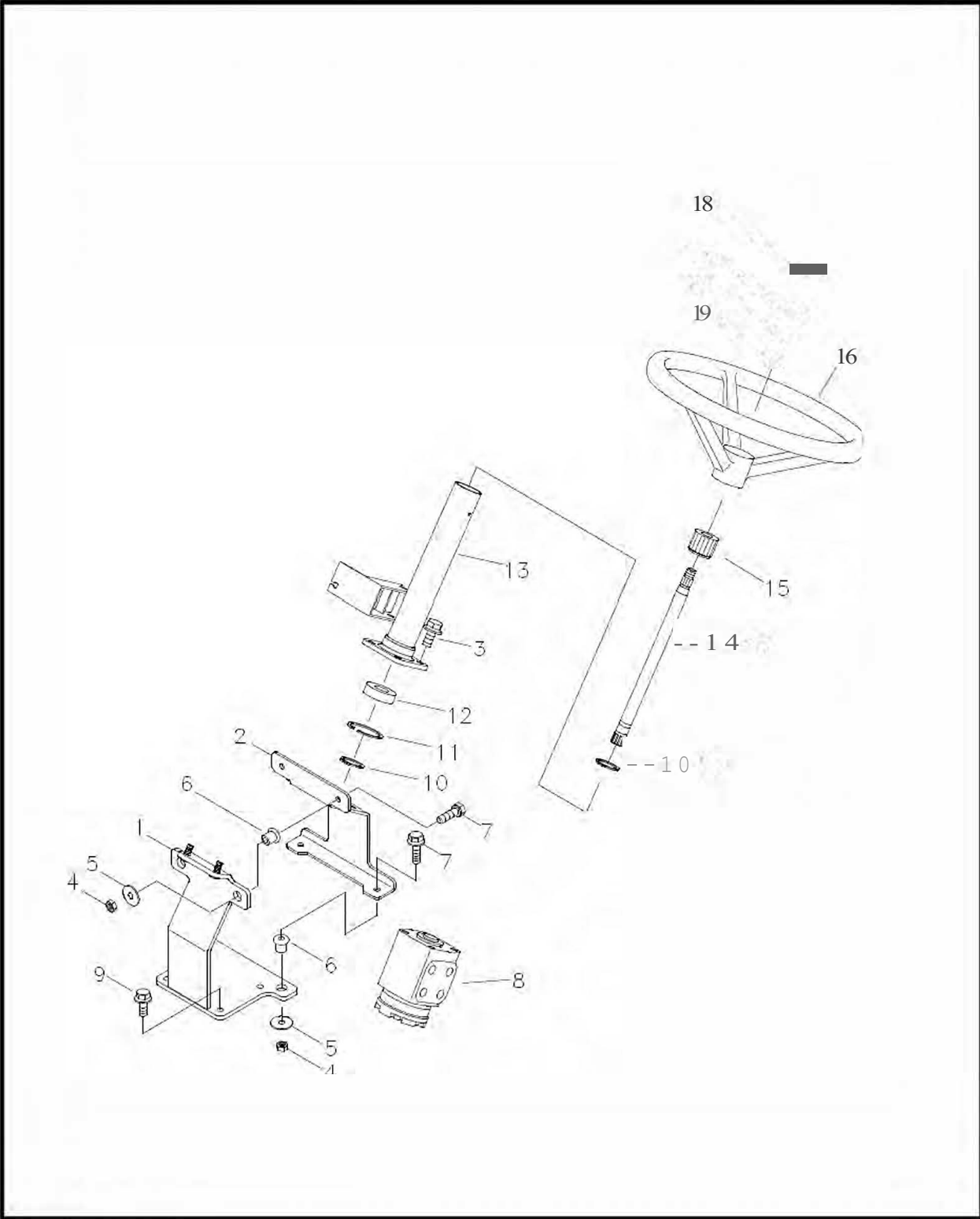
STEERING COLUMN(630)

FIG. 6-4



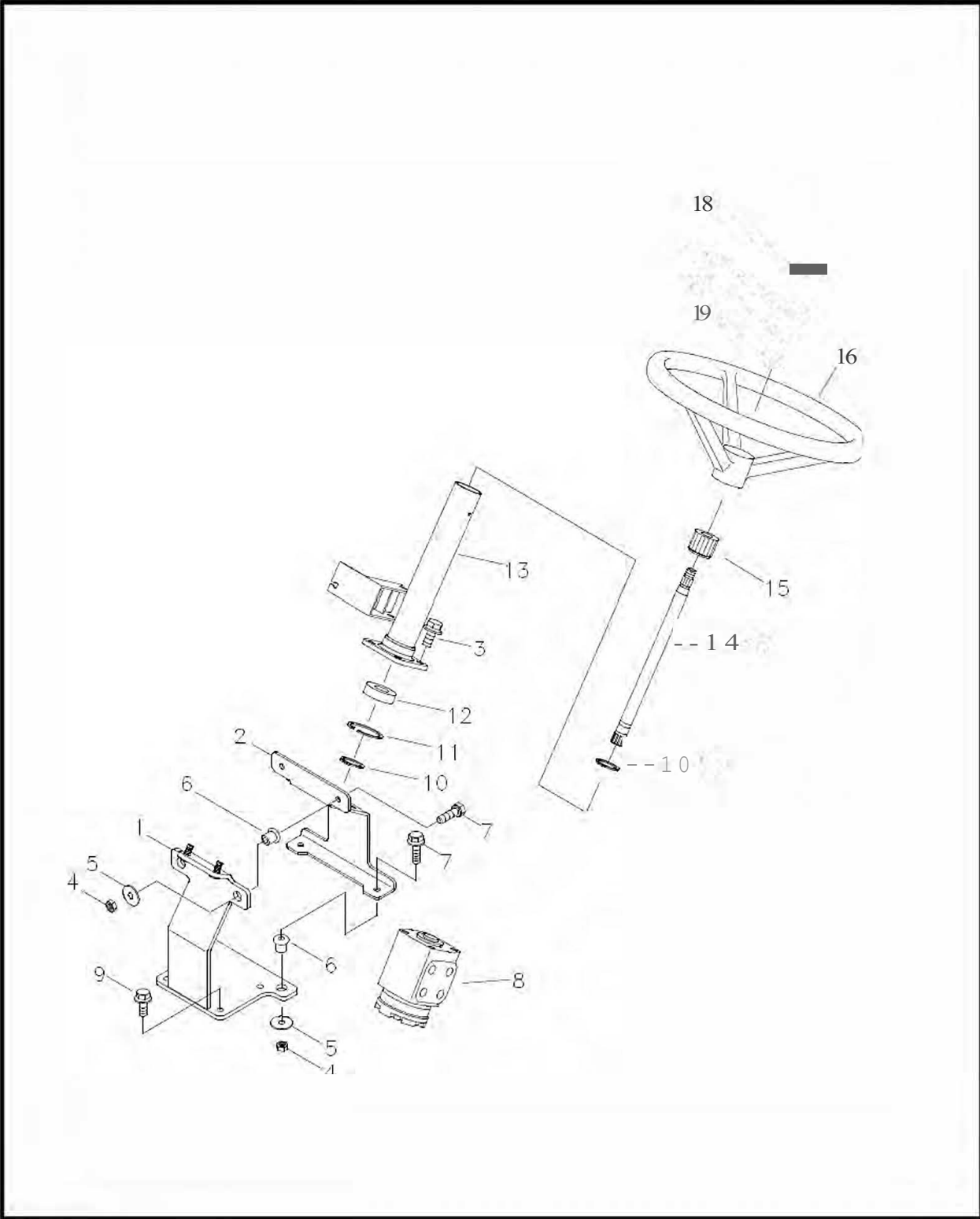
STEERING COLUMN(630)

FIG. 6-4



STEERING COLUMN(630)

FIG. 6-4



STEERING COLUMN(630)

FIG. 6-4

KEY NO.	PART NO.	PART NAME & DESCRIPTION		MODEL & QTY		APPLI. NO.	REMARK
				330HT	360HT		
1	A1630453	SUPPORT, STR. LOWER		1	1		
2	A1630452	SUPPORT,STR.UPPER		1	1		
3	S154102533	BOLT, HEX	M10x1.25x25	4	4		
4	S306100043	NUT, HEX	M10x1.25x25	4	4		
5	S365103213	WASHER, PLAIN	<1>10.5x<1>32x3.0t	4	4		
6	A1970366	MOUNT, SILENT		4	4		
7	S154105033	BOLT, HEX	M10x1.25x50L	4	4		
8	A1630624	STEERING UNIT	80cc/rev	1	1		
9	S156102533	BOLT, HEX	M10x1.25x25L	4	4		
10-15	A1630230	STEERING COLUMN ASSY		1	1		
10	S810020001	RING,SNAP	<1>20	2	2		
11	S811042001	RING, SNAP(C)H	<1>2	1	1		
12	A1970233	BEARING	6004DD	1	1		
13	A1630231	COLUMN , STEERING		1	1		
14	A1630232	SHAFT, STEERING	<1>20	1	1		
15	A1630153	SEAL, STEERING		1	1		
16-18	A5002130	STR, WHEEL ASSY		1	1		
16	A5001458	WHEEL, STEERING		1	1		
17	A5000583	CAP, WHEEL		1	1		
18	A1981077	DECAL, LS MARK		1	1		
19	S361140013	WASHER,SPR	C>14.2xC>24.5x3.5	1	1		
20	S314140013	NUT,HEX	M14x1.5	1	1		

STEERING COLUMN(630)

FIG. 6-4

KEY NO.	PART NO.	PART NAME & DESCRIPTION		MODEL & QTY		APPLI. NO.	REMARK
				330HT	360HT		
1	A1630453	SUPPORT, STR. LOWER		1	1		
2	A1630452	SUPPORT,STR.UPPER		1	1		
3	S154102533	BOLT, HEX	M10x1.25x25	4	4		
4	S306100043	NUT, HEX	M10x1.25x25	4	4		
5	S365103213	WASHER, PLAIN	<1>10.5xct>32x3.0t	4	4		
6	A1970366	MOUNT, SILENT		4	4		
7	S154105033	BOLT, HEX	M10x1.25x50L	4	4		
8	A1630222	STEERING UNIT	80cc/rev	1	1		
9	S156102533	BOLT, HEX	M10x1.25x25L	4	4		
10-15	A1630230	STEERING COLUMN ASSY		1	1		
10	S810020001	RING,SNAP	<1>20	2	2		
11	S811042001	RING, SNAP(C)H	<1>2	1	1		
12	A1970233	BEARING	6004DD	1	1		
13	A1630231	COLUMN , STEERING		1	1		
14	A1630232	SHAFT, STEERING	<1>20	1	1		
15	A1630153	SEAL, STEERING		1	1		
16-18	A5002130	STR, WHEEL ASSY		1	1		
16	A5001458	WHEEL, STEERING		1	1		
17	A5000583	CAP, WHEEL		1	1		
18	A1980437	DECAL, LG MARK		1	1		
19	S361140013	WASHER,SPR	<1>14.2xct>24.5x3.5	1	1		
20	S314140013	NUT, HEX	M14x1.5	1	1		

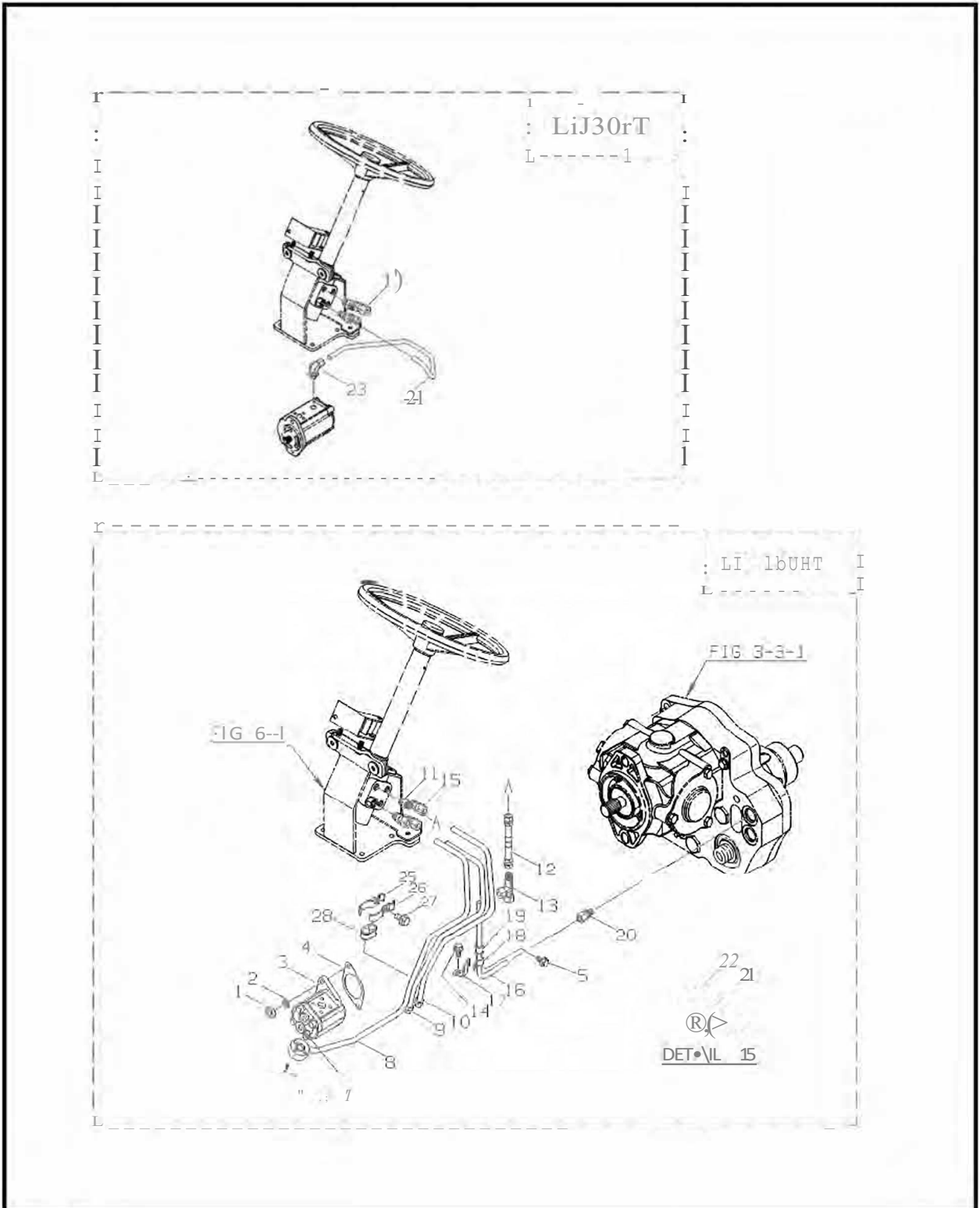
STEERING COLUMN(630)

FIG. 6-4

KEY NO.	PART NO.	PART NAME & DESCRIPTION		MODEL & QTY		APPLI. NO.	REMARK
				330HT	360HT		
1	A1630453	SUPPORT, STR. LOWER		1	1		
2	A1630452	SUPPORT,STR.UPPER		1	1		
3	S154102533	BOLT, HEX	M10x1.25x25	4	4		
4	S306100043	NUT, HEX	M10x1.25x25	4	4		
5	S365103213	WASHER, PLAIN	<1>10.5xct>32x3.0t	4	4		
6	A1970366	MOUNT, SILENT		4	4		
7	S154105033	BOLT, HEX	M10x1.25x50L	4	4		
8	A1630253	STEERING UNIT	80cc/rev	1	1		
9	S156102533	BOLT, HEX	M10x1.25x25L	4	4		
10-15	A1630230	STEERING COLUMN ASSY		1	1		
10	S810020001	RING,SNAP	<1>20	2	2		
11	S811042001	RING, SNAP(C)H	<1>2	1	1		
12	A1970233	BEARING	6004DD	1	1		
13	A1630231	COLUMN , STEERING		1	1		
14	A1630232	SHAFT, STEERING	<1>20	1	1		
15	A1630153	SEAL, STEERING		1	1		
16-18	A5002130	STR, WHEEL ASSY		1	1		
16	A5001458	WHEEL, STEERING		1	1		
17	A5000583	CAP, WHEEL		1	1		
18	A1980437	DECAL, LG MARK		1	1		
19	S361140013	WASHER,SPR	<1>14.2xct>24.5x3.5	1	1		
20	S314140013	NUT, HEX	M14x1.5	1	1		

STEERING PIPE(630)

FIG. 6-5B



STEERING PIPE(630)

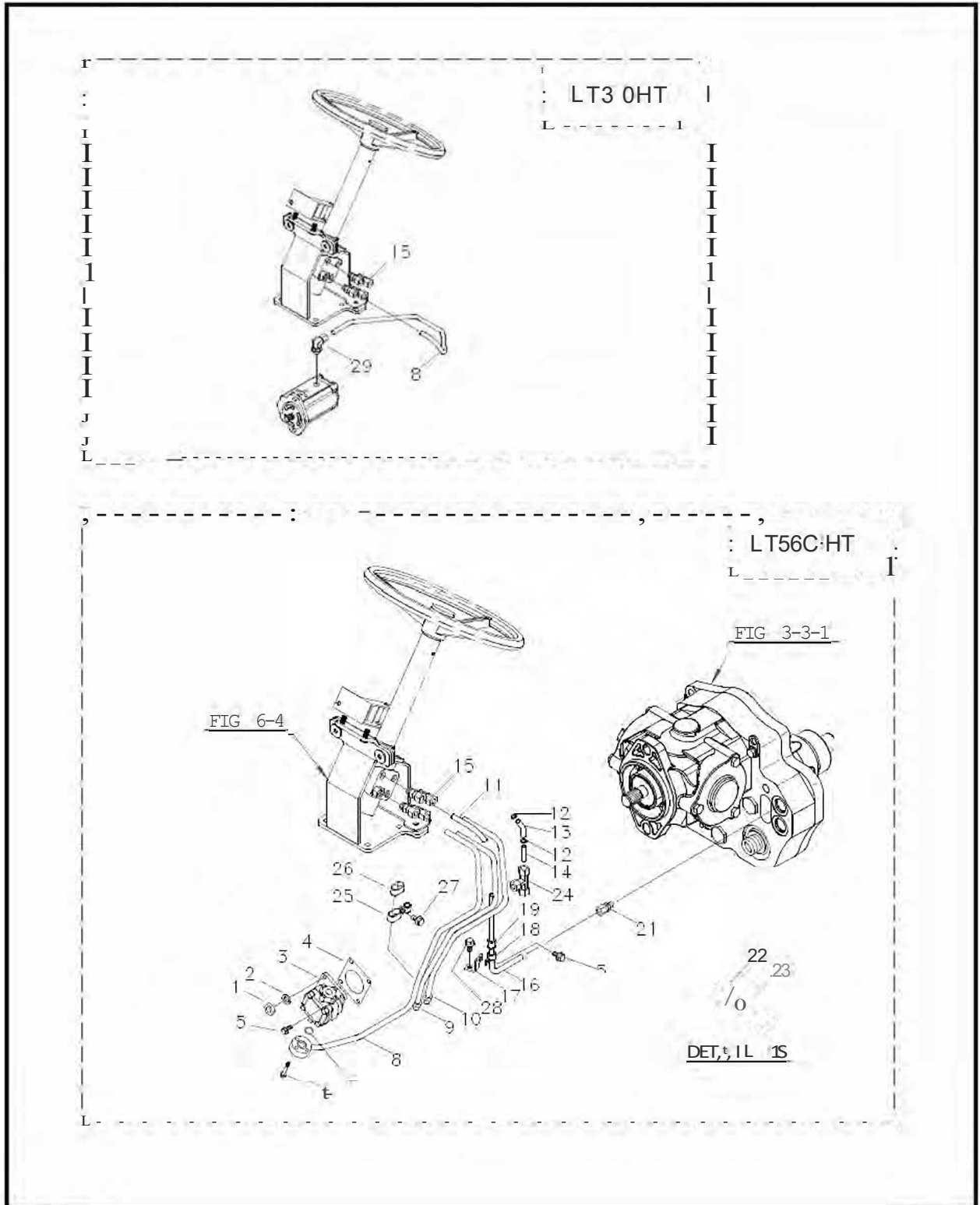
FIG. 6-5B

AG. VA. TF

KEY NO.	PART NO.	PART NAME & DESCRIPTION		MODEL & QTY		APPLI. NO.	REMARK
				330HT	360HT		
1	S313080013	NUT, HEX	M8x1.25	•	2		
2	S361080013	WASHER, SPRING	C>8.2xC>15.4x2.0t	•	2		
3	A1630562	PUMP, STEERING	7cc/rev	•	1		
4	A1630547	GASKET, PUMP	0.6t	•	1		
5	S155082033	BOLT, HEX	M8x1.25x20L	1	1		
6	S153063533	BOLT, HEX	M6x1.0x35L	•	3		
7	S801018010	O-RING	C>17.8x24	•	1		
8,15	A1630587	PIPE, P/S PRESSURE SUB	∅12	•	1		
8	A1630588	PIPE, P/S PRESSURE	∅12	•	1		
9,15	A1CMS003	P/S PIPE ASSY(RH)	∅12	1	1		
9	A1630242	PIPE, P/S RH	∅12	1	1		
10,15	A1CMS002	P/S PIPE ASSY(LH)	∅12	1	1		
10	A1630243	PIPE, P/S LH	∅12	1	1		
11	A1630498	JOINT, BITE TYPE	P f 3/8	1	1		
12	A1640017	HOSE, P/S DRAIN	M18x1.5	1	1		
13	A1630499	TEE, UNION		1	1		
14	S153102033	BOLT, HEX	M10x1.25x20L	1	1		
15	A1630144	JOINT	BOM12-03G	3	3		
16	A1630432	PIPE, BYPASS	∅12	1	1		
17	A1630454	BRACKET, CLAMP		1	1		
18	A1630238	CLAMP		1	1		
19	A1630239	RUBBER, CLAMP		1	1		
20	A1640007	JOINT		1	1		
21	A1630169	SLEEVE		2	2		
22	A1630170	NUT, HEX		2	2		
15,23,24	A1630460	PIPE, P/S PRESSURE SUB		1	•		
23	A1630101	ELBOW	BOLM12-03G	1	•		
24	A1630429	PIPE, P/S PRESSURE	∅12	1	•		
25-27	A1630338	CLAMP ASSY, STR. PIPE		1	1		
25	A1630339	CLAMP A, STR. PIPE		1	1		
26	A1630340	CLAMP B, STR. PIPE		1	1		
27	S155062533	BOLT,HEX.W/WASHER		1	1		
28	A1630166	RUBBER		1	1		

STEERING PIPE(630)

FIG. 6-5



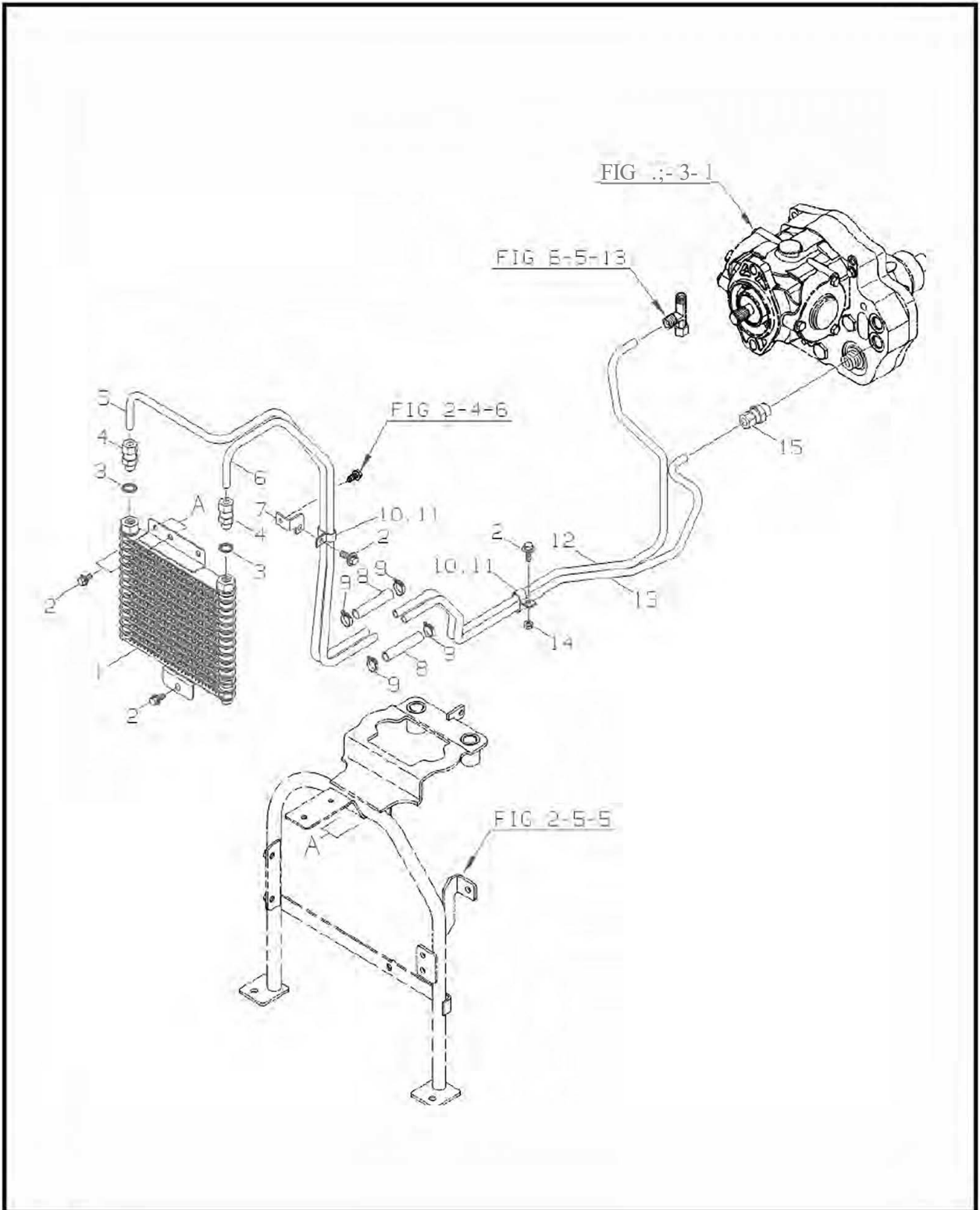
STEERING PIPE(630)

FIG. 6-5

KEY NO.	PART NO.	PART NAME & DESCRIPTION		MODEL & QTY		APPLI. NO.	REMARK
				330HT	360HT		
1	S313080013	NUT, HEX	M8x1.25	•	2		
2	S361080013	WASHER, SPRING	C<>8.2xC<>15.4x2.0t	•	2		
3	A1630221	PUMP, STEERING	6.99cc/rev	•	1		
4	3A1823010	PACKING, PUMP	0.6t	•	1		
5	S153082033	BOLT, HEX	M8x1.25x20L	1	2		
6	S153063533	BOLT, HEX	M6x1.0x35L	•	3		
7	S801018010	O-RING	C<>17.8x2.4	•	1		
8	A1630241	PIPE, P/S PRESSURE	∅12	•	1	+1630144=A1CMS005	
	A1630429	PIPE, P/S PRESSURE	∅12	1	•		
9	A1630242	PIPE, PIS RH	∅12	1	1	+1630144=A1CMS003	
10	A1630243	PIPE, PIS LH	∅12	1	1	+1630144=A1CMS002	
11	A1630433	PIPE, P/S DRAIN	∅12	1	1	+1630144=A1630458	
12	A1970201b	CLAMP		2	2		
13	A1640005	HOSE		1	1		
14	A1630431	PIPE, BY-STR-DRAIN	∅12	1	1		
15	A1630144	JIONT	12-03G	4	4		
16	A1630432	PIPE, BYPASS	∅12	1	1		
17	A1630454	BRACKET.CLAMP		1	1		
18	A1630238	CLAMP		1	1		
19	A1630239	RUBBER, CLAMP		1	1		
20	S155102533	BOLT, HEX	M10x<1.25x25L	1	1		
21	A1640007	JIONT		1	1		
22	A1823033	SLEEVE		2	2		
23	A1823034	NUT, HEX		2	2		
24	A1630430	TEE, UNION		1	1		
25	A1630247	CLAMP		1	1		
26	A1630166	RUBBER		1	1		
27	S155062033	BOLT, HEX	M6x1.0x20L	1	1		
28	S153102033	BOLT, HEX	M10x1.25x20L	1	1		
29	A1630436	ELBOW		1	•		

HST COOLER(640)

FIG. 6-6



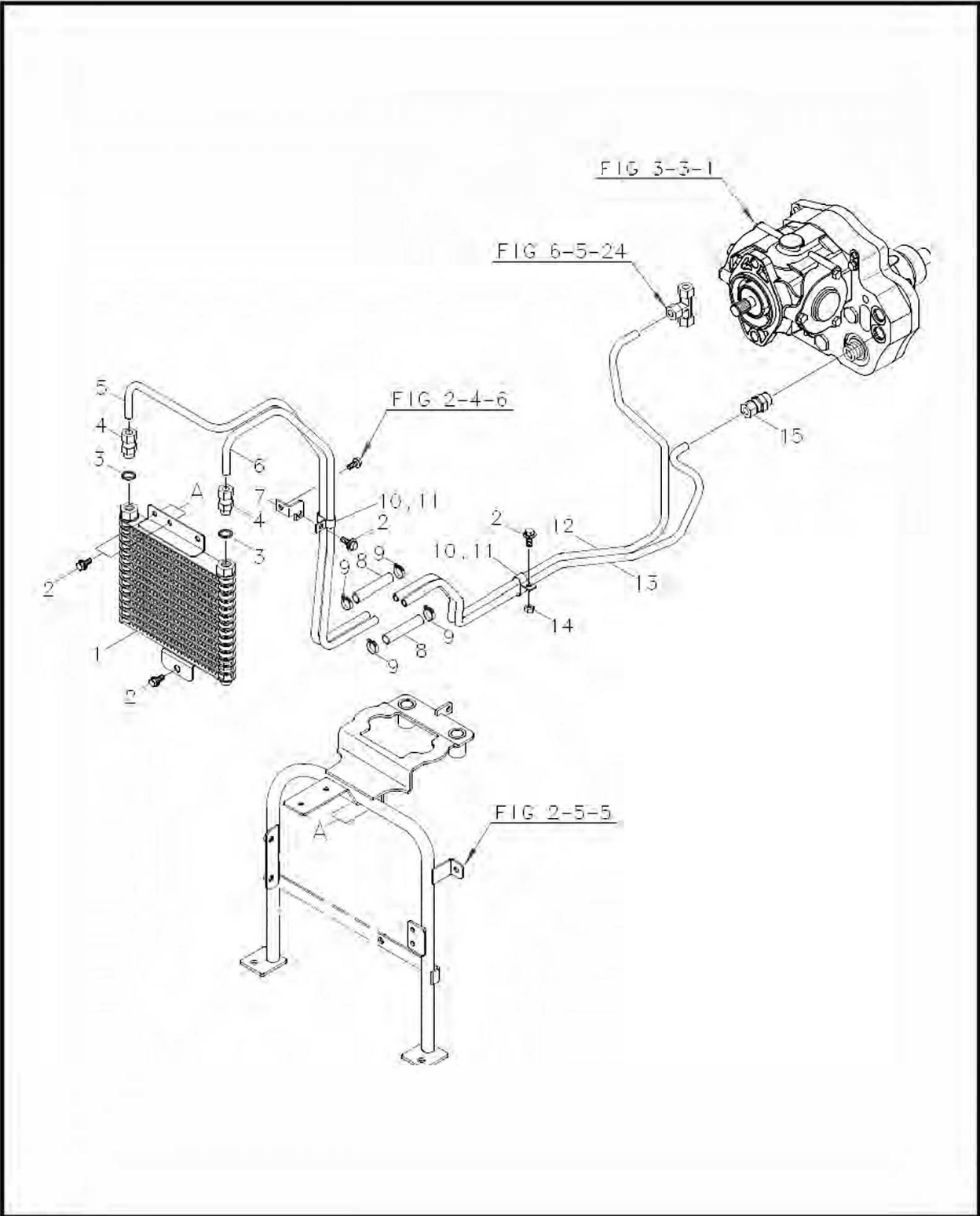
HST COOLER(640)

FIG. 6-6

KEY NO.	PART NO.	PART NAME & DESCRIPTION		MODEL & QTY		APPLI. NO.	REMARK
				330HT	360HT		
1	A3180673	COOLER, OIL		1	1		
2	S155082033	BOLT,HEX	M8x1 .25x20L	5	5		
3	A1823245	SEAL, BONDED		2	2		
4	A1640008	JOINT	M16	2	2		
5	A1640004	PIPE B, COOLER IN	∅12	1	1	+A1640008=A1640009	
6	A1640001	PIPE A, COOLER RETURN	∅12	1	1	+A1640008=A1640010	
7	A1630167	BRACKET,CLAMP		1	1		
8	A1640012	HOSE, COOLER JOINT		2	2		
9	A1970201b	CLAMP		4	4		
10	A1630165	CLAMP		2	2		
11	A1630166	RUBBER		2	2		
12	A1640003	PIPE A, COOLER IN	∅12	1	1		
13	A1640002	PIPE B, COOLER RETURN	∅12	1	1	+A 1640007=A 16400'11	
14	S311080013	NUT,HEX	M8x1.25	1	1		
15	A1640007	JOINT	M22	1	1		

HST COOLER(640)

FIG. 6-6



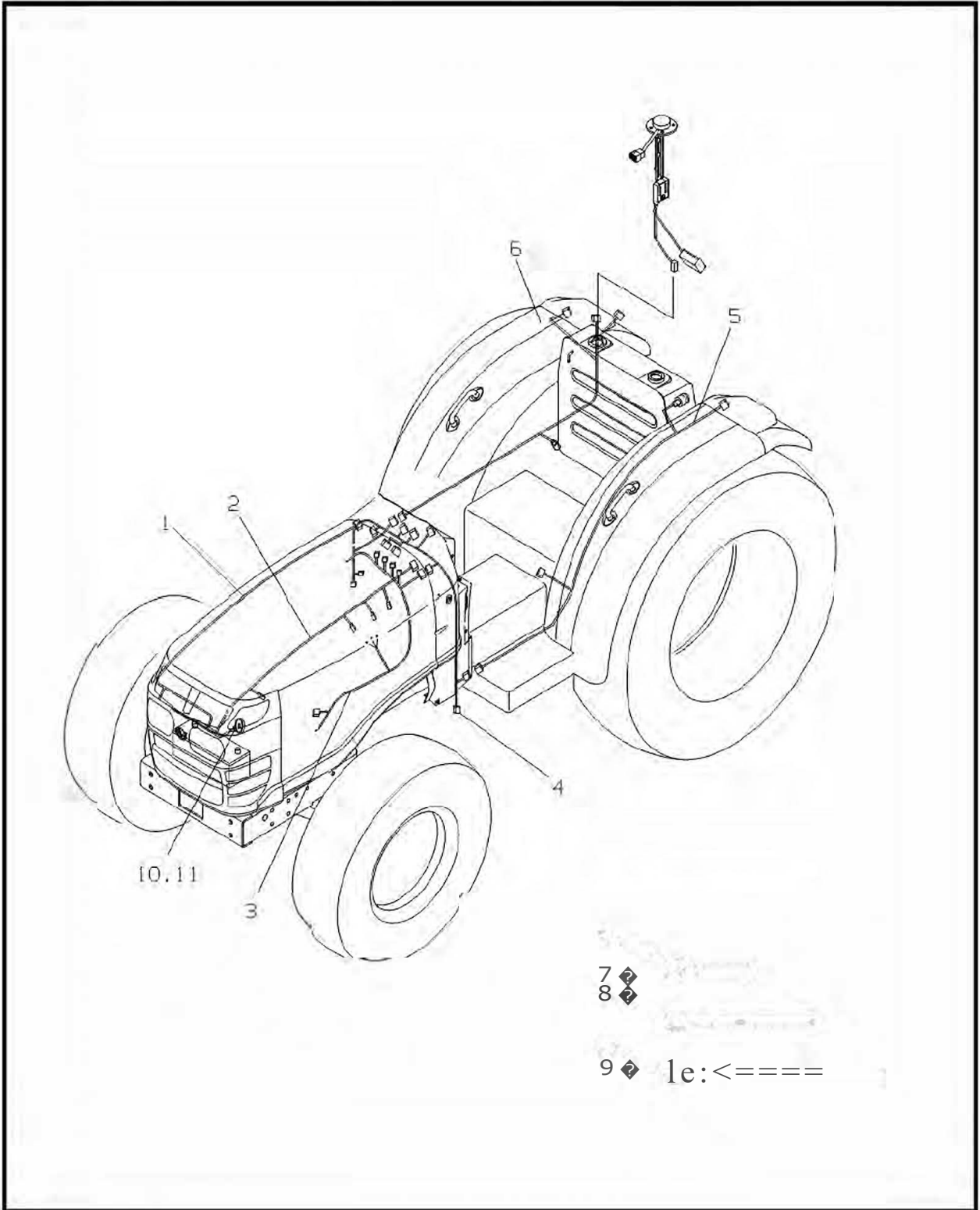
HST COOLER(640)

FIG. 6-6

KEY NO.	PART NO.	PART NAME & DESCRIPTION		MODEL & QTY		APPLI. NO.	REMARK
				330HT	360HT		
1	A3180673	COOLER, OIL		1	1		
2	S155082033	BOLT,HEX	M8x1.25x20L	5	5		
3	A1823245	SEAL, BONDED		2	2		
4	A1640008	JOINT	M16	2	2		
5	A1640004	PIPE B, COOLER IN	φ12	1	1	+A1640008=A1640009	
6	A1640001	PIPE A, COOLER RETURN	φ12	1	1	+A1640008=A1640010	
7	A1630167	BRACKET,CLAMP		1	1		
8	A1640005	HOSE, COOLER JOINT		2	2		
9	A1970201b	CLAMP		4	4		
10	A1630165	CLAMP		2	2		
11	A1630166	RUBBER		2	2		
12	A1640003	PIPE A, COOLER IN	φ12	1	1		
13	A1640002	PIPE B, COOLER RETURN	φ12	1	1	+A1640007=A1640011	
14	S311080013	NUT,HEX	M8x1.25	1	1		
15	A1640007	JOINT	M22	1	1		

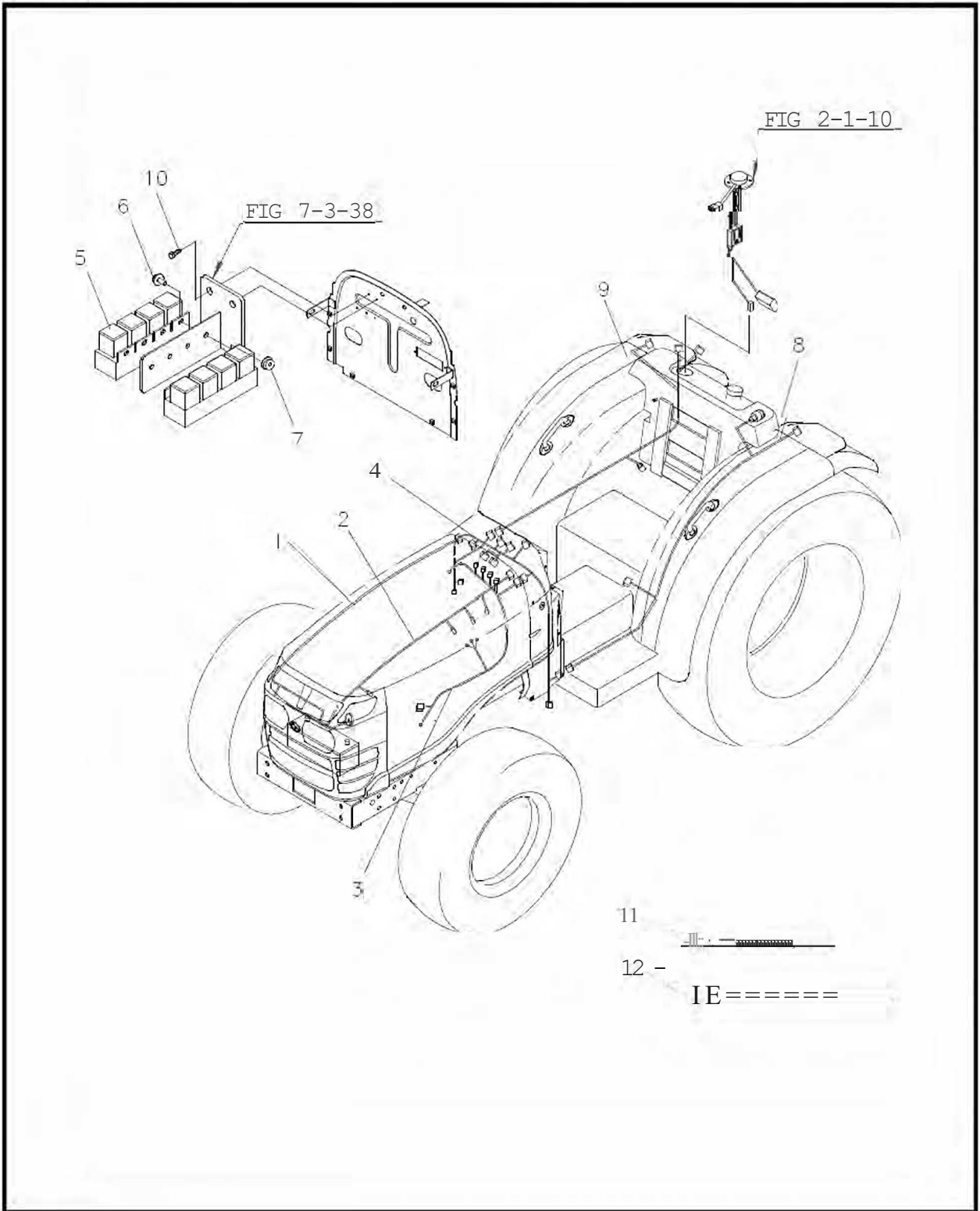
ELECTRICAL WIRING(730)

FIG. 7-1 B



ELECTRICAL WIRING(730)

FIG. 7-1



ELECTRICAL WIRING(730)

FIG. 7-1 B

AG

KEY NO.	PART NO.	PART NAME & DESCRIPTION	MODEL & QTY		APPLI. NO.	REMARK
			330HT	360HT		
1	A1730152	HARNESS, FRONT LIGHT	1	1		
2	A1730064	HARNESS, FRONT SENSOR	•	1		
3	A1730111	HARNESS, ENGINE UNIT	•	1		
	A1730180	HARNESS, ENGINE UNIT	1	•		
4	A1730251	HARNESS,PANEL	1	1		
5	A1730183	HARNESS, REAR(LH)	1	1		
6	A1730182	HARNESS, MIDDLE	1	1		
7	A0640015	CLAMP	5	5		
8	A0640028	TIE	14	14		
9	A0640009	TIE	15	15		
10	S155062033	BOLT, HEX	M6x1.Dx20L	1	1	
11	A5002054	HORN		1	1	

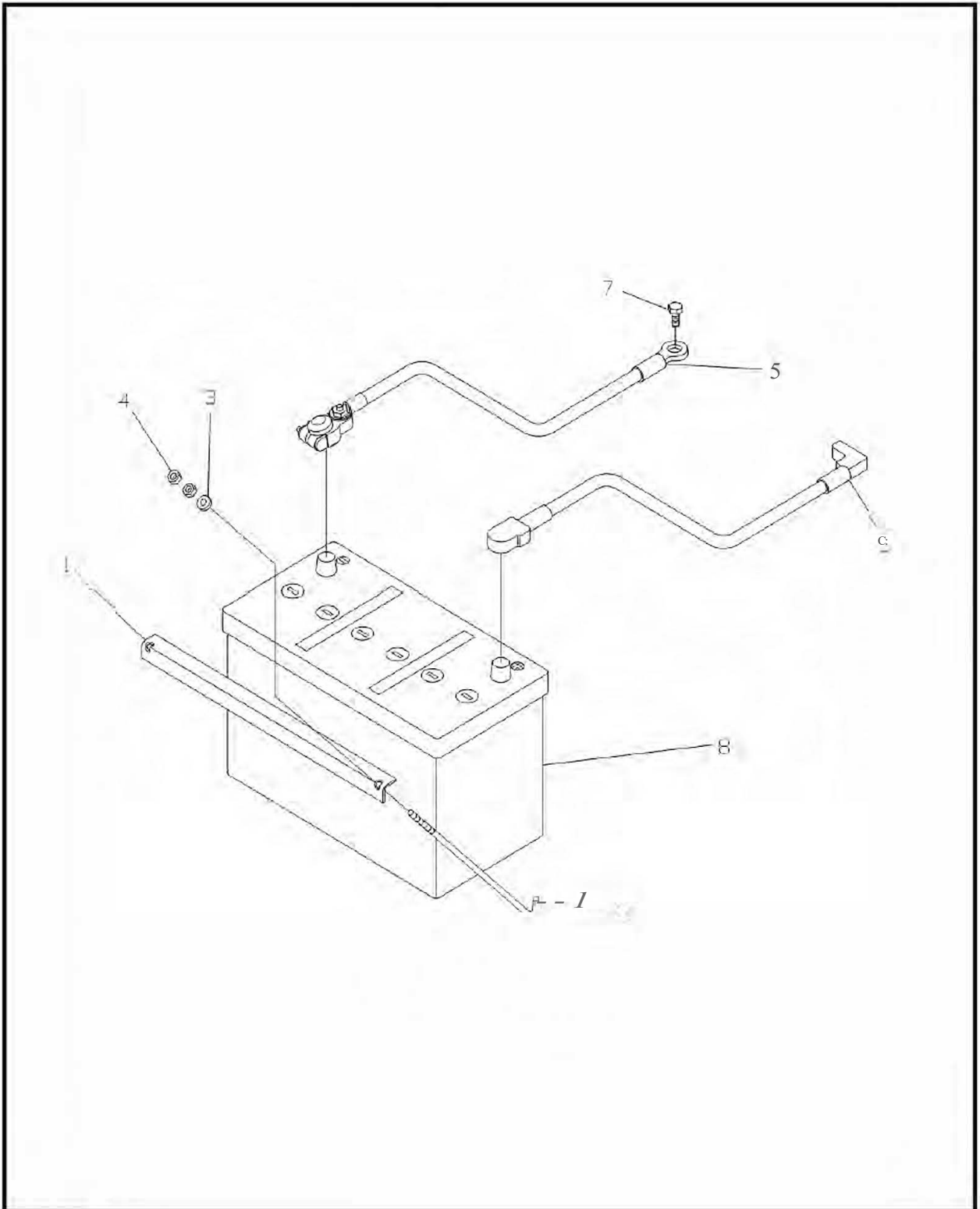
ELECTRICAL WIRING(730)

FIG. 7-1

KEY NO.	PART NO.	PART NAME & DESCRIPTION	MODEL & QTY		APPLI. NO.	REMARK
			330HT	360HT		
1	A1730152	HARNESS, FRONT LIGHT	1	1		
2	A1730108	HARNESS, FRONT SENSOR	•	1		
3	A1730111	HARNESS, ENGINE UNIT	•	1		
	A1730180	HARNESS, ENGINE UNIT	1	•		
4	A1730181	HARNESS,PANEL	1	1		
5	A1750242	RELAY, MICRO	8	8		
6	S157051633	BOLT, HEX W/WASHER	4	4		
7	S309050013	NUT, HEX	4	4		
8	A1730183	HARNESS, REAR(LH)	1	1		
9	A1730182	HARNESS, MIDDLE	1	1		
10	S159062033	BOLT, HEX W/WASHER	M6x1.0x20L	3	3	
11	A0640028	TIE		14	14	
12	A0640009	TIE		15	15	

BATTERY(740)

FIG. 7-2



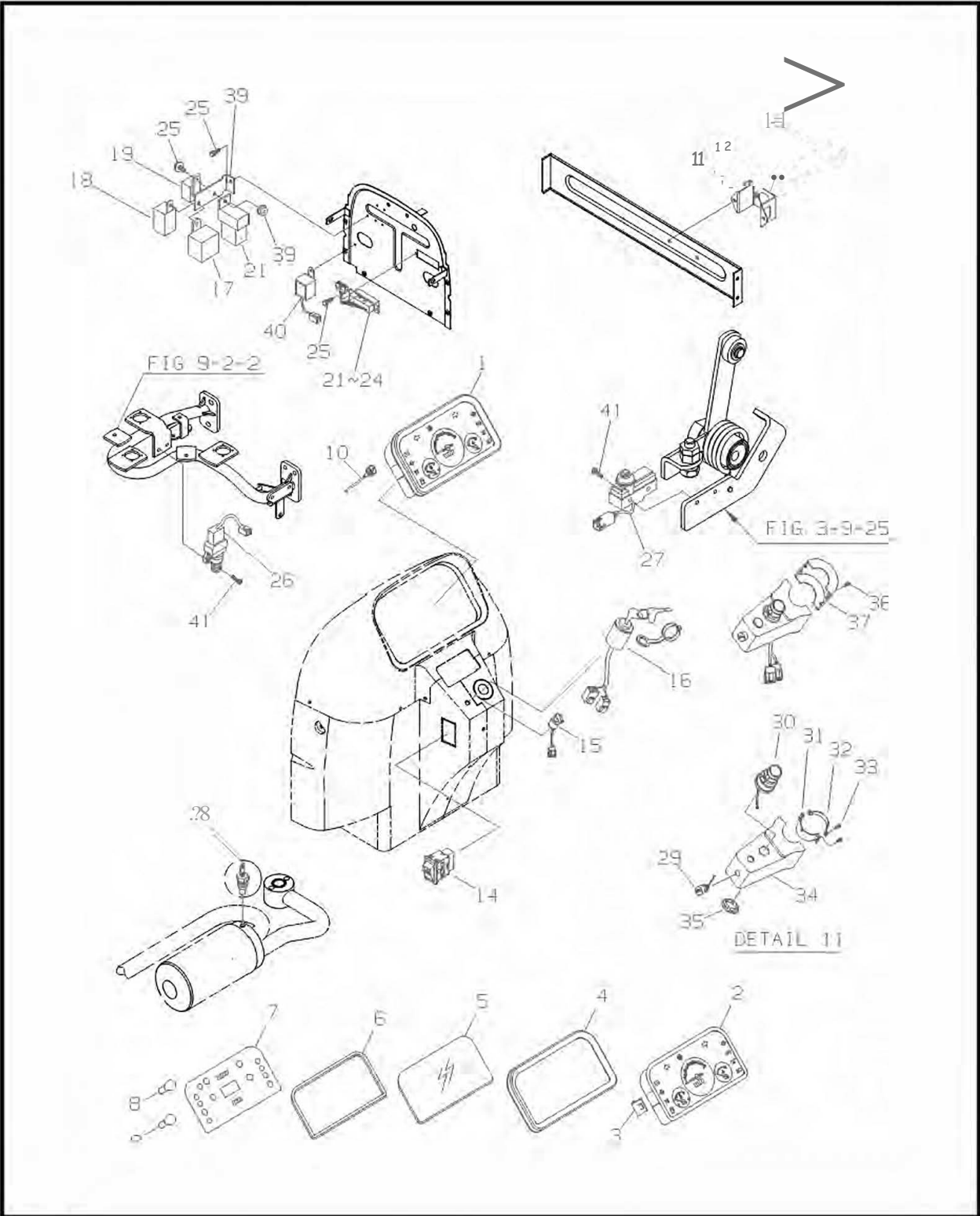
BATTERY(740)

FIG. 7-2

KEY NO.	PART NO.	PART NAME & DESCRIPTION		MODEL & QTY		APPLI. NO.	REMARK
				330HT	360HT		
1	A1740003	CLAMP, BATTERY		1	1		
2	A1741021	ROD, BATTERY CLAMP		2	2		
3	S363060013	WASHER, PLAIN		2	2		
4	S305060013	NUT, HEX	M6x1.0	4	4		
5	A1740020	CABLE, BATTERY(+) POS.		1	1		
6	A1740030	CABLE, BATTERY(-) NEG.		1	1		
7	S155082033	BOLT, HEX W/WASHER	MBX1.25x20L	1	1		
8	A1740002	BATTERY.MF	12V-80AH	1	1		

INSTRUMENT PANEL(750)

FIG. 7-3B



INSTRUMENT PANEL(750)

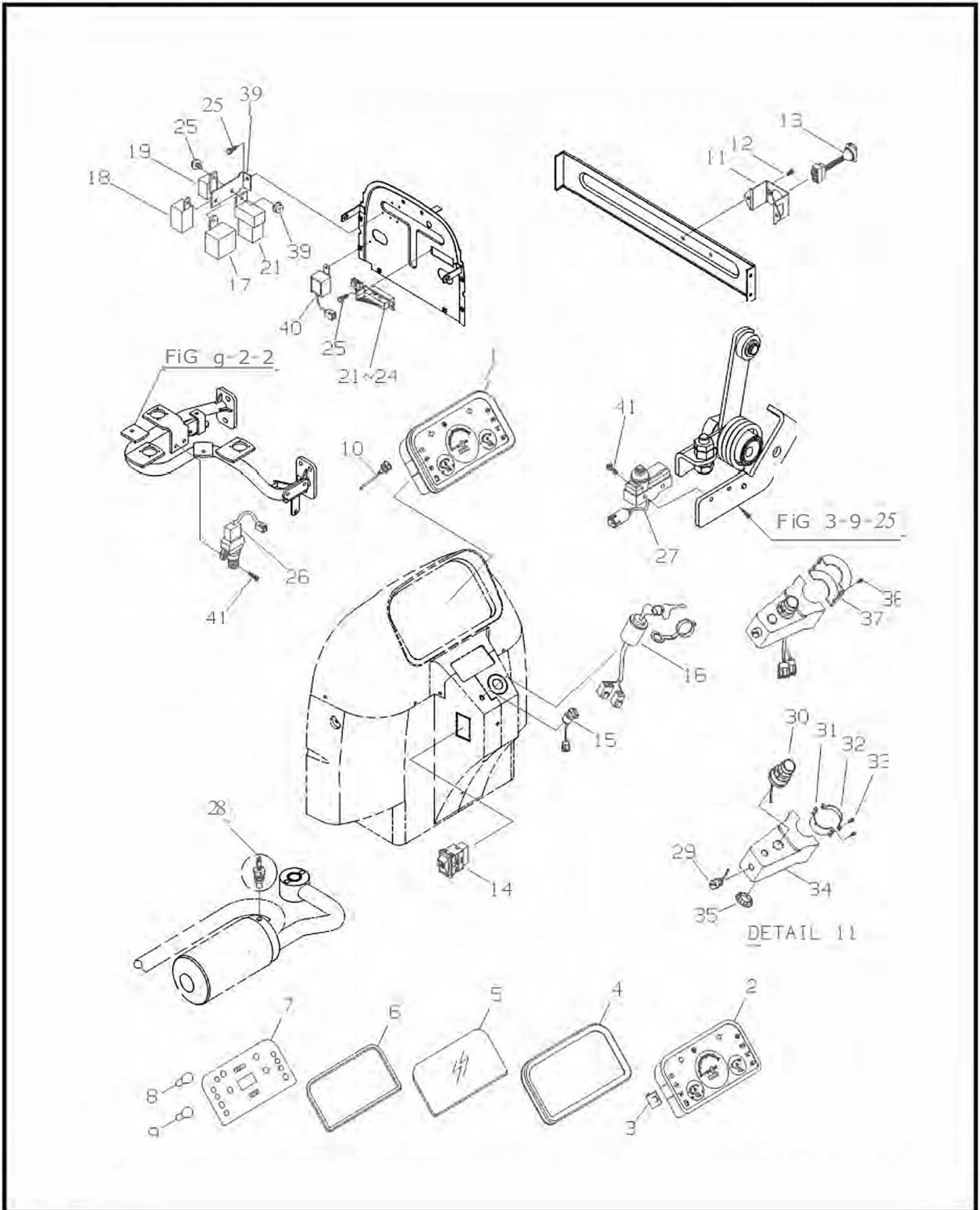
FIG. 7-38

AG

KEY NO.	PART NO.	PART NAME & DESCRIPTION	MODEL & QTY		APPLI. NO.	REMARK
			330HT	360HT		
1	A1750217	INSTRUMENT PANEL ASSY	•	1		
	A1750239	INSTRUMENT PANEL ASSY	1	•		
2	A1750200	METER PANEL ASSY	•	1		
	A1750240	METER PANEL ASSY	1	•		
3	A1750139	BRACKET, PANEL	2	2		
4	A1750127	HOOD, PANEL	1	1		
5	A1750128	WINDOW GLASS, PANEL	1	1		
6	A1750137	PACKING, PANEL	1	1		
7	A1750143	PCB, PANEL	1	1		
8	A1750140	BULB	12V, 1.4W	6	6	
9	A1750141	BULB	12V, 3.4W	6	6	
10	A1750165	CABLE, TACHOMETER	*	1		
	A1750222	CABLE, TACHOMETER	1	*		
11	A1750267	BRACKET, 7-POLE	1	1		
12	S155081633	BOLT, HEX	M8X1.25X16L	4	4	
13	A1750171	CONNECTOR, 7-POLE	1	1		
14	A1750161	SWITCH, EMERGENCY	1	1		
15	A1750152	SWITCH, PTO SELECTOR	1	1		
16	A5001132	KEY SWITCH ASSY	1	1		
17	01800023	RELAY, GROW	1	1		
18	01800017	TIMER.GLOW	1	1		
19	01800018	RELAY, START	1	1		
20	A1750284	FLASHER	1	1		
21	A1750225	FUSEBOXASY	1	1		
22	A0751005	FUSE	10A	6	6	
23	A0751006	FUSE	15A	2	2	
24	A0751007	FUSE	20A	3	3	
25	S159061633	BOLT, HEXW/WASHER	M6X1.0X16L	6	5	
26	A1750209	SWITCH, CLUTCH	1	1		
27	A1750227	SWITCH, NEUTRAL	1	1		
28	A1750175	HYO, SENSOR ASSY	1	1		OPT
29-35	A1750258	STR. COLUMN SM/ ASSY	1	1		
29	A1750179	SWITCH, HORN	1	1		
30	A1750257	SWITCH, COMBI	1	1		
31	A1750181	CLAMP A	1	1		
32	A1750182	CLAMPS	1	1		
33	S226401211	SCREW	M4X0.7X12L	4	4	
34	A1750178	COVER, COMBI. SW	1	1		
35	A1750187	CAP.RUBBER	1	1		
36	S224402511	SCREW	M4X0.7X25L	2	2	

INSTRUMENT PANEL(750)

FIG. 7-3B



INSTRUMENT PANEL(750)

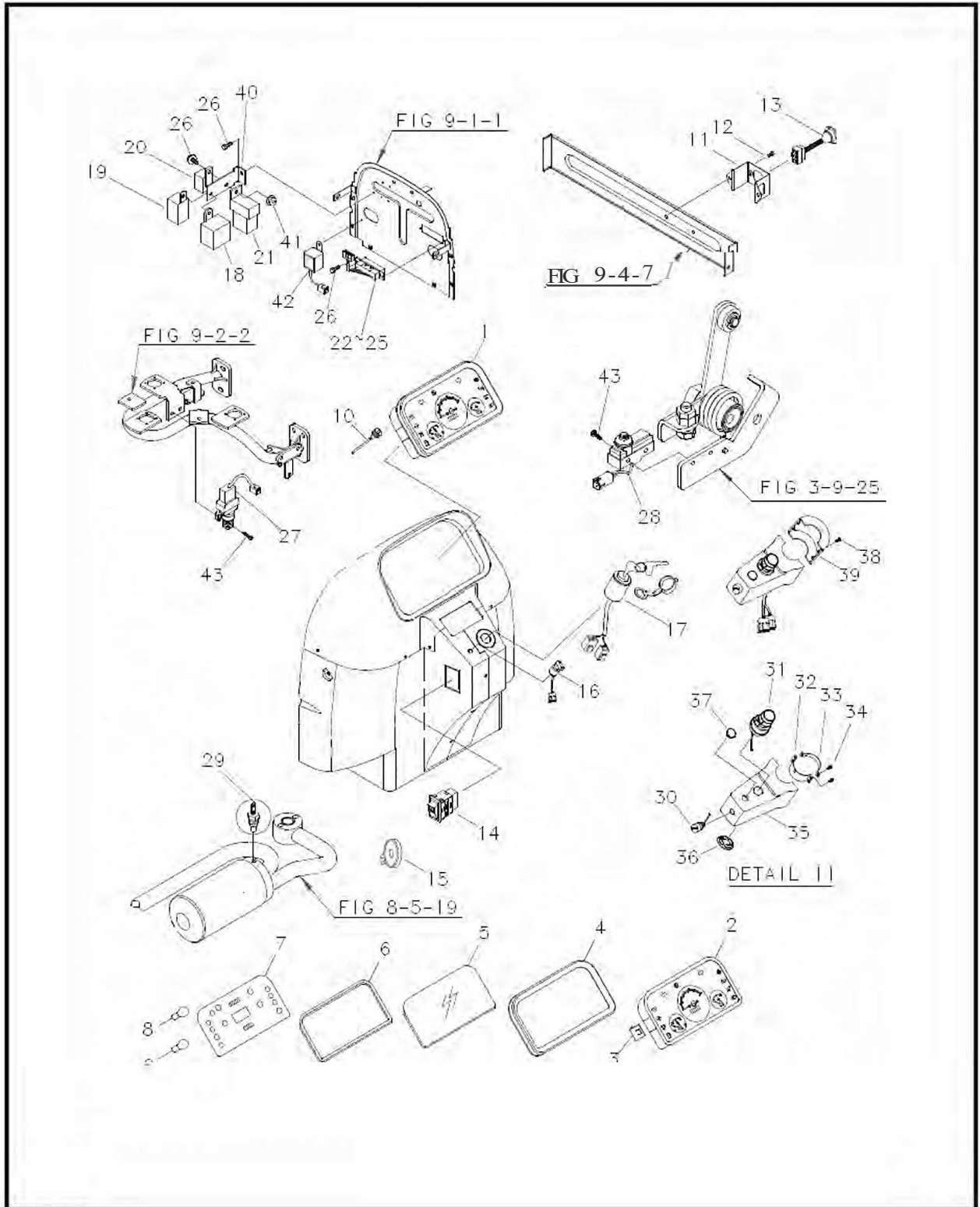
FIG. 7-38

AG

KEY NO.	PART NO.	PART NAME & DESCRIPTION	MODEL & QTY		APPLI. NO.	REMARK
			330HT	360HT		
37	A1750153	COVER, COMB. SWITCH	1	1		
38	A1750226	BRACKET, R E L Y	1	1		
39	S345060013	NUT, FLANGE B-TY	2	2		
40	A1750243	TIMER, ENGINE STOP	1	•		
41	S227402511	SCREW	4	4		

INSTRUMENT PANEL(750)

FIG. 7-3



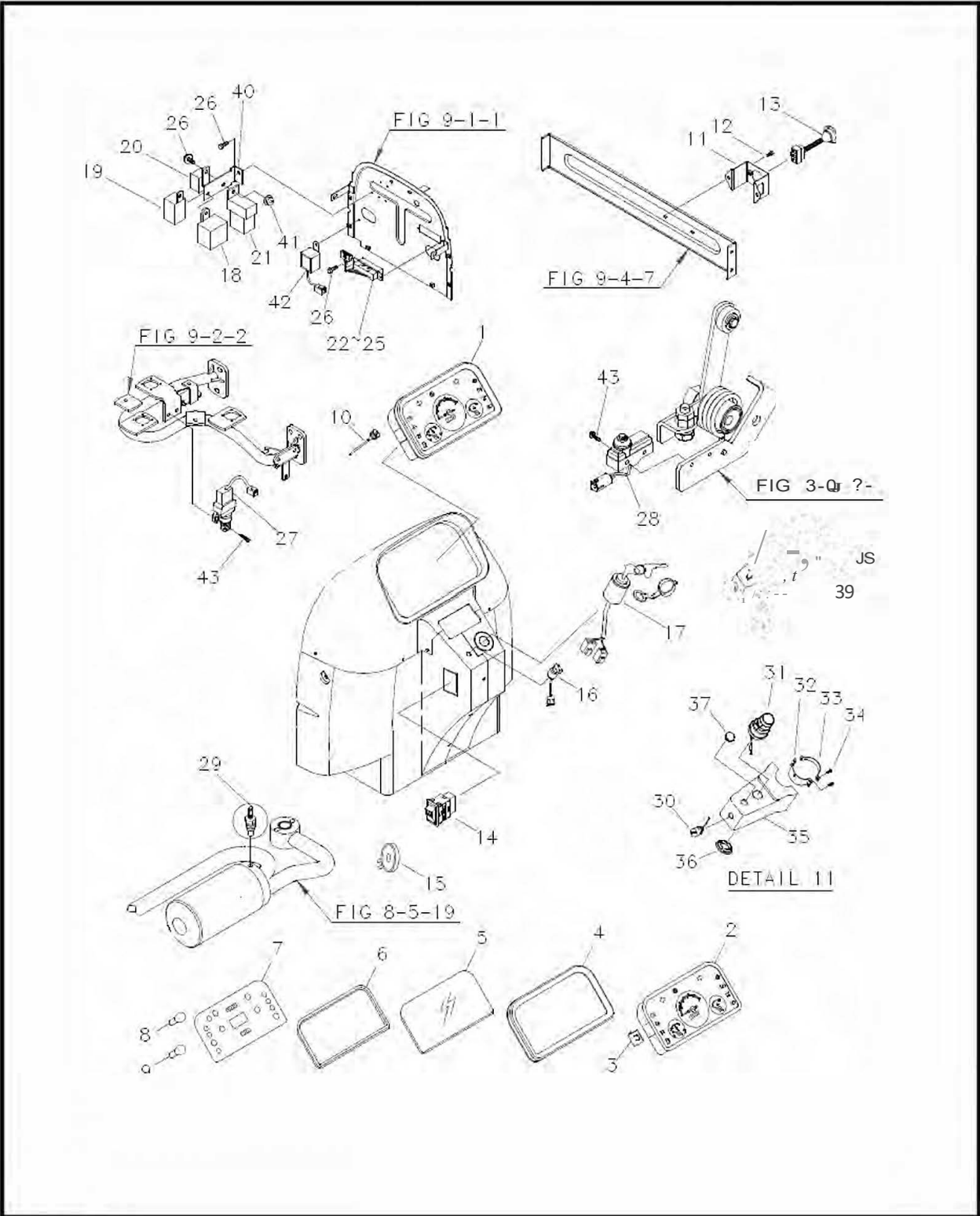
INSTRUMENT PANEL(750)

FIG. 7-3

KEY NO.	PART NO.	PART NAME & DESCRIPTION	MODEL & QTY		APPLI. NO.	REMARK
			330HT	360HT		
1	A1750217	INSTRUMENT PANEL ASSY	•	1		
	A1750239	INSTRUMENT PANEL ASSY	1	•		
2	A1750200	METER PANEL ASSY	•	1		
	A1750240	METER PANEL ASSY	1	•		
3	A1750139	BRACKET, PANEL	2	2		
4	A1750127	HOOD, PANEL	1	1		
5	A1750128	WINDOW GLASS, PANEL	1	1		
6	A1750137	PACKING, PANEL	1	1		
7	A1750193	PCB, PANEL	1	1		
8	A1750140	BULB	12V, 1.4W	6	6	
9	A1750141	BULB	12V, 3.4W	6	6	
10	A1750166	CABLE, TACHOMETER	*	1		
	A1750222	CABLE, TACHOMETER	1	*		
11	A1750172	BRACKET, 7-POLE	1	1		
12	S155081633	BOLT, HEX	M8X1.25X16L	4	4	
13	A1750171	CONNECTOR, 7-POLE	1	1		
14	A1750161	SWITCH, EMERGENCY	1	1		
15	A1730121	HORNASSY	1	1		
16	A1750152	SWITCH, PTO SELECTOR	1	1		
17	A5001132	KEY SWITCH ASSY	1	1		
18	01800011	GLOW RELAY ASSY	1	1		
19	01800017	TIMER,GLOW	1	1		
20	01800018	RELAY, START	1	1		
21	A1750251	FLASHER	1	1		
22	A1750225	FUSEBOXASY	1	1		
23	A0751005	FUSE	10A	6	6	
24	A0751006	FUSE	15A	2	2	
25	A0751007	FUSE	20A	3	3	
26	S159061633	BOLT, HEXW/WASHER	M6X1.0X16L	6	5	
27	A1750209	SWITCH, CLUTCH	1	1		
28	A1750227	SWITCH, NEUTRAL	1	1		
29	A1750175	HYO, SENSOR ASSY	1	1		
30-37	A1750177	STR. COLUMN SNv ASSY	1	1		
30	A1750179	SWITCH, HORN	1	1		
31	A1750180	SWITCH, COMBI	1	1		
32	A1750181	CLAMP A	1	1		
33	A1750182	CLAMPS	1	1		
34	S226401211	SCREW	M4X0.7X12L	4	4	
35	A1750178	COVER, COMBI. SNv	1	1		
36	A1750187	CAP.RUBBER	1	1		

INSTRUMENT PANEL(750)

FIG. 7-3



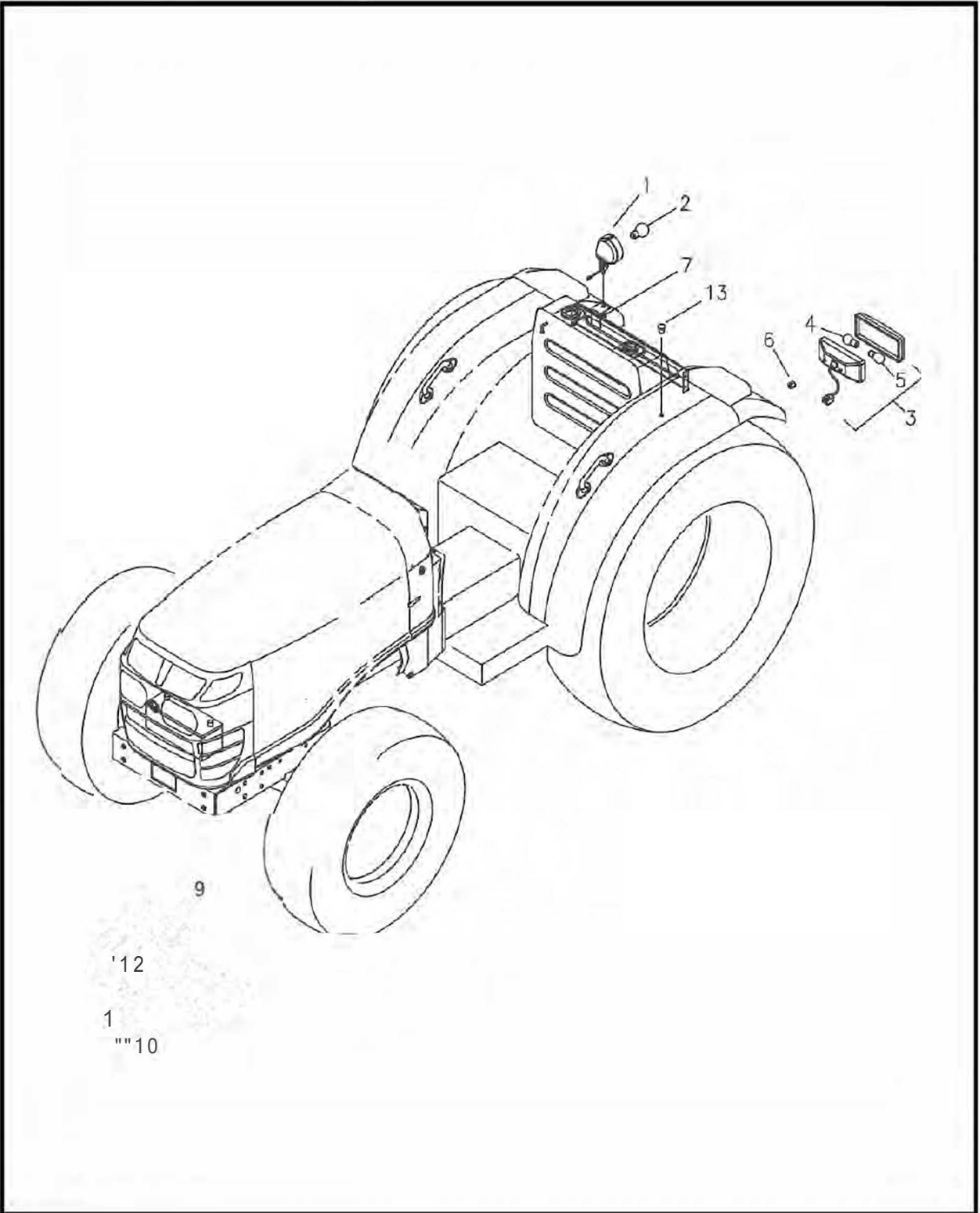
INSTRUMENT PANEL(750)

FIG. 7-3

KEY NO.	PART NO.	PART NAME & DESCRIPTION		MODEL & QTY		APPLI. NO.	REMARK
				330HT	360HT		
37	A1750230	CAP,RUBBER		1	1		
38	S224402511	SCREW	M4X0.7X25L	2	2		
39	A1750153	COVER, COMB. SWITCH		1	1		
40	A1750226	BRACKET, RELY		1	1		
41	S345060013	NUT. FLANGES-TY		2	2		
42	A1750243	TIMER, ENGINE STOP		1	•		
43	S227402511	SCREW		4	4		

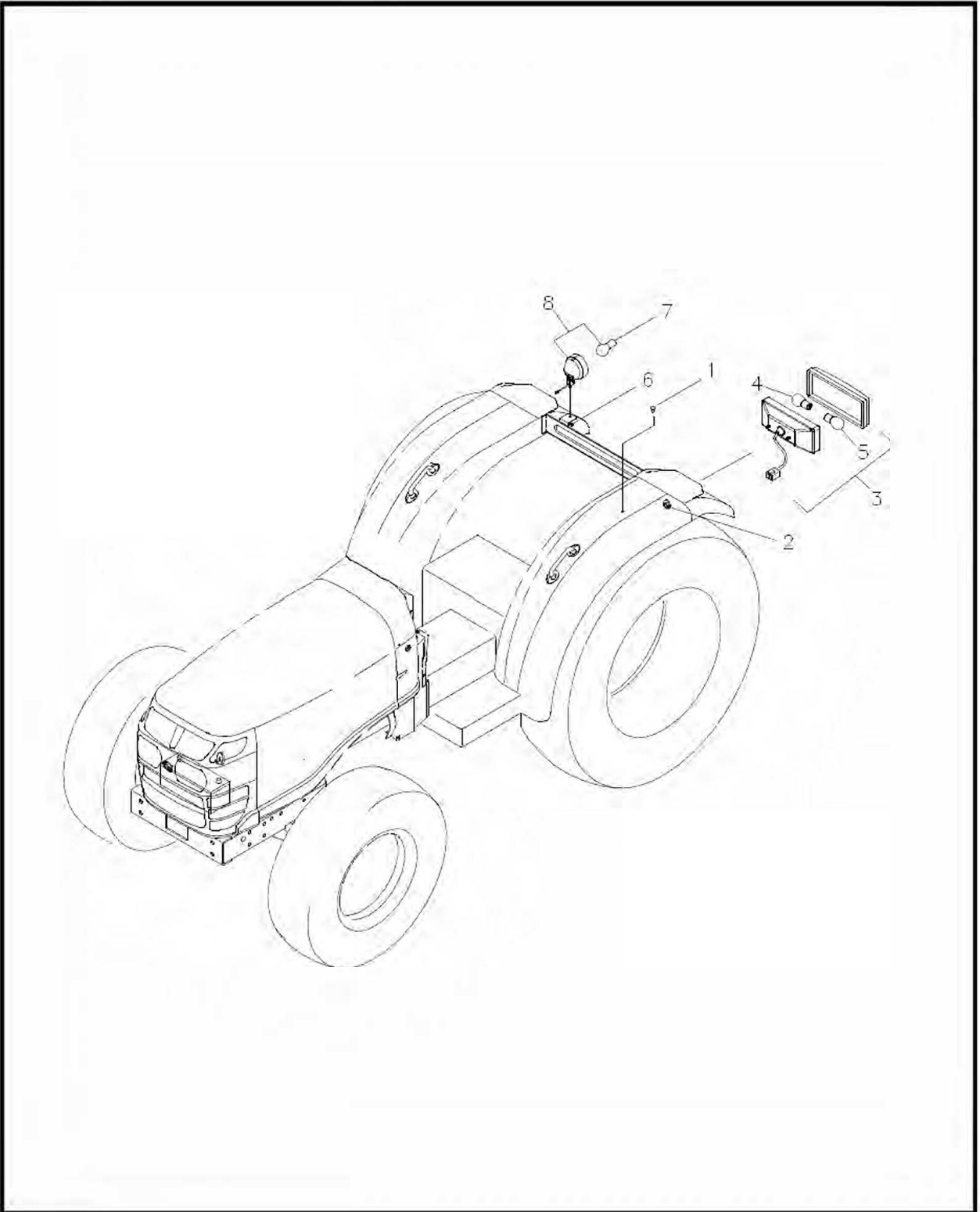
LAMP(760)

FIG. 7-4A



LAMP(760)

FIG. 7-4



LAMP(760)

FIG. 7-4A

EX, AG, TF

KEY NO.	PART NO.	PART NAME & DESCRIPTION		MODEL & QTY		APPLI. NO.	REMARK
				330HT	360HT		
1	A1760037	LAMP, WORKING		1	1		
2	A1760043	BULB	12V/23W	1	1		
3	A1760047	COMBI LAMP ASSY		2	2		
4	A1760016	BULB	12V/21/5W	2	2		
5	A1760017	BULB	12V/21W	3	3		
6	S345050013	NUT,HEX	M5x1.0P	4	4		
7	S313080013	NUT, HEX	M8x1.25P	1	1		
8	A1760044	HEADLAMP		2	2		
9	A1760048	BULB	12V, 40/45W	2	2		
10	A1760003	SPRING		6	6		
11	S364060013	WASHER, PLN. F-RD		6	6		
12	A1970309	NUT, LOCK		6	6		
13	A0610083	PLUG		2	2		

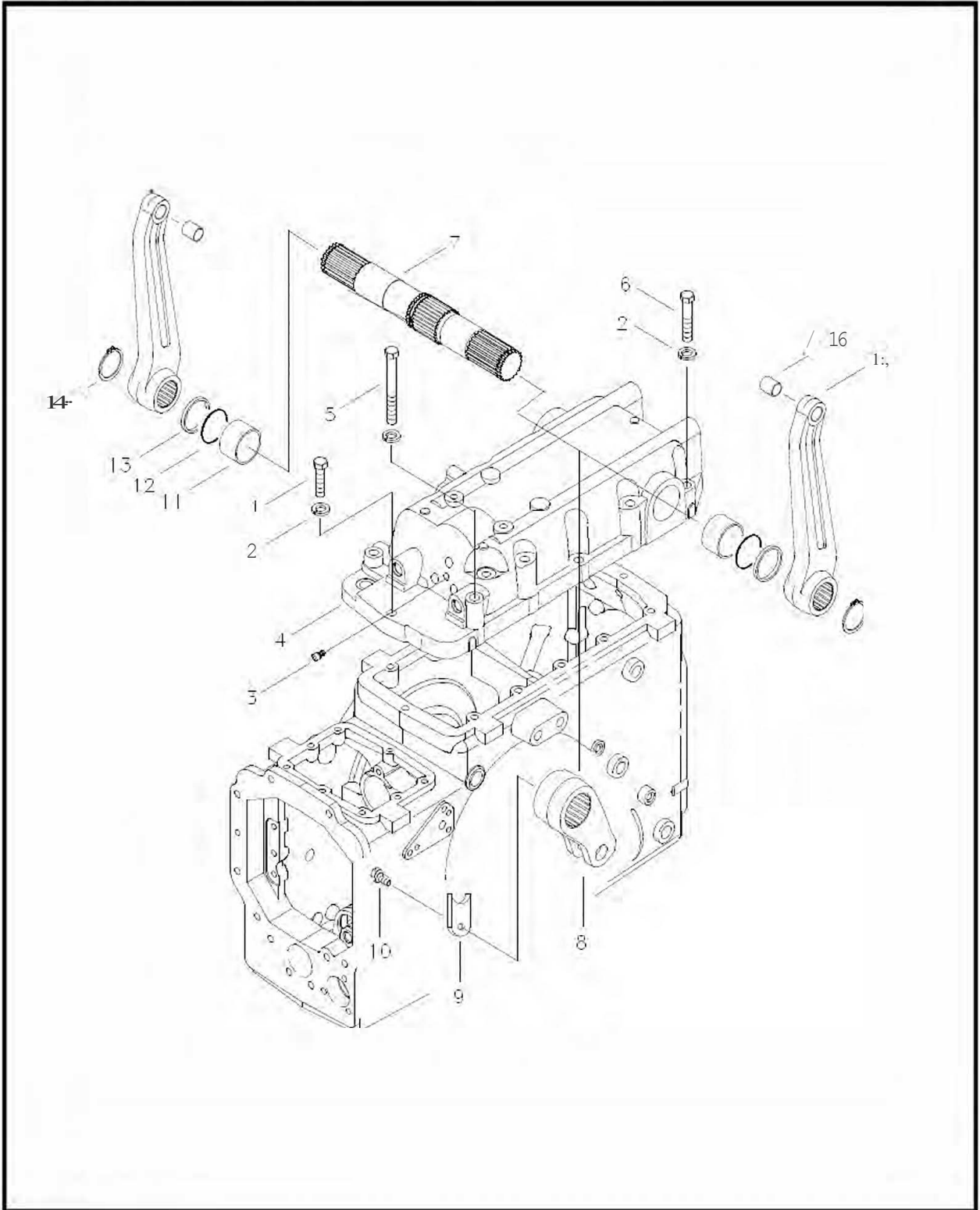
LAMP(760)

FIG. 7-4

KEY NO.	PART NO.	PART NAME & DESCRIPTION		MODEL & QTY		APPLI. NO.	REMARK
				330HT	360HT		
1	A0610083	PLUG	LG 3385	2	2		
2	S345050013	NUT, FIANGEB-TY	M5X1.0	4	4		
3	A1760047	COMB. LAMP ASSY		2	2		
4	A1760016	BULB, COMBIN LAMP ASSY	12V/21/5W	2	2		
5	A1760017	BULB, COMBIN TAIL	12V/21W	2	2		
6	S313080013	NUT.HEX	M8X1.25	3	3		
7-8	A1760037	WORKING ASSY	LG 2343	1	1		
7	A1760043	BULB, WORK LAMP	12V/23W, LG4060	1	1		
8	•	HOUSING, LAMP		1	1		

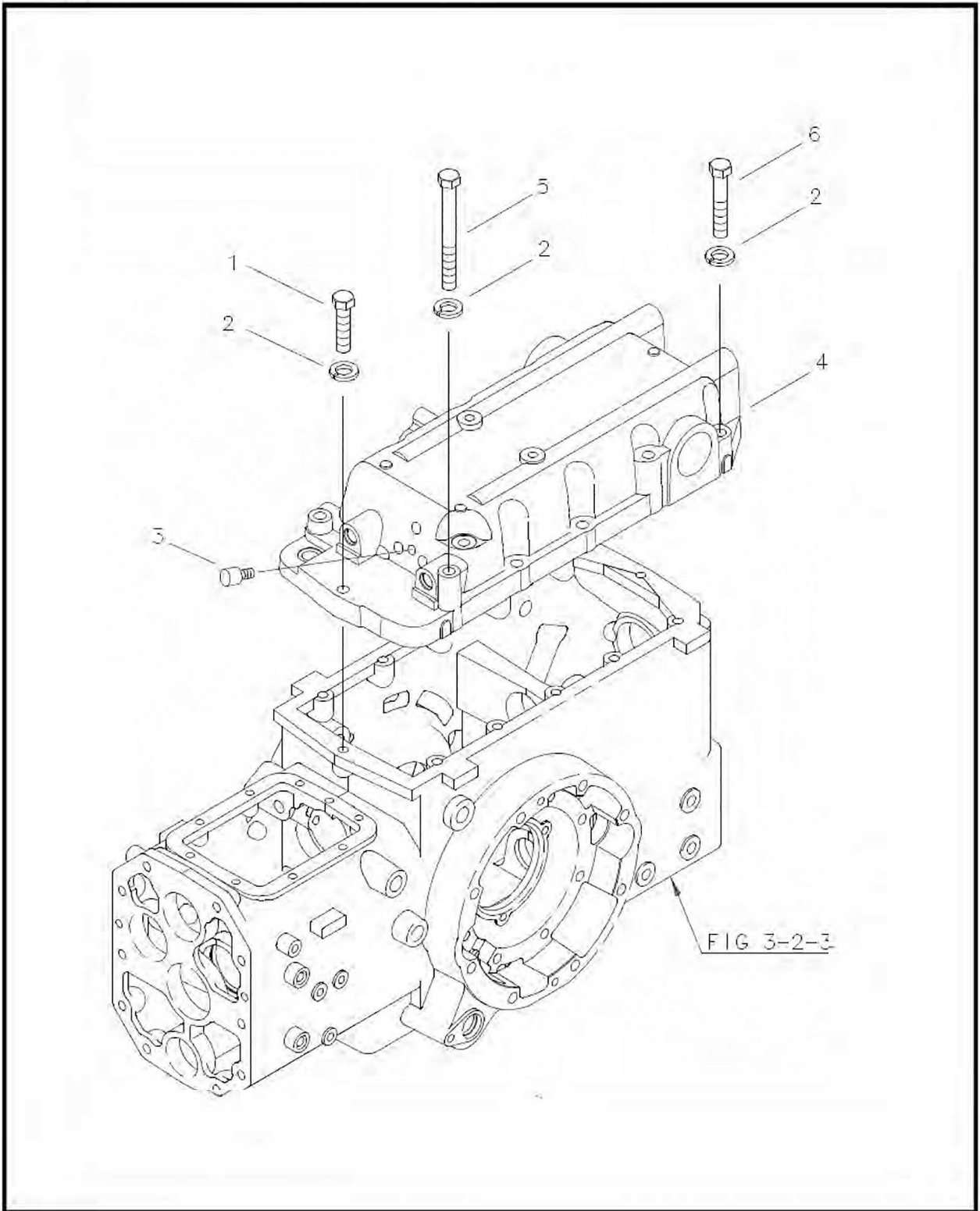
HYDAULIC HOUSING(820)

FIG. 8-1



HYDAULIC HOUSING(820)

FIG. 8-1



HYDAULIC HOUSING(820)

FIG. 8-1

KEY NO.	PART NO.	PART NAME & DESCRIPTION		MODEL & QTY		APPLI. NO.	REMARK
				330HT	360HT		
1	S105124543	BOLT, HEX. SMALL	M12x1.75x45	4	4		
2	S361120013	WASHER, SPRING	< >21.5X< >12.2X3t	12	12		
3	A1250049	PLUG, AIRVENT		1	1		
4	A1820032	HOUSING, HYO		1	1		
5	S105128543	BOLT, HEX. SMALL	M12x1.75x85	3	3		
6	S105126043	BOLT, HEX. SMALL	M12x1.75x60	4	4		
7	A1821030	SHAFT, HYO. LIFT		1	1		
8	A1821029	ARM,POWER		1	1		
9	A1826094	PLATE, LOCK		1	1		
10	S153081633	BOLT,HEX	M8x1.25x16	1	1		
11	3A1821005	BUSHING	< >45X< >50X30	2	2		
12	S802045010	ØRING	D44.4x3.1	2	2		
13	3A1821004	COLLAR	< >45X< >50X5	2	2		
14	S810042001	RING SNAP	< >38.5	2	2		
15	2A1821006	ARM. LIFT		2	2		
16	3A1821007	BUSHING	< >19x< >22x25	2	2		

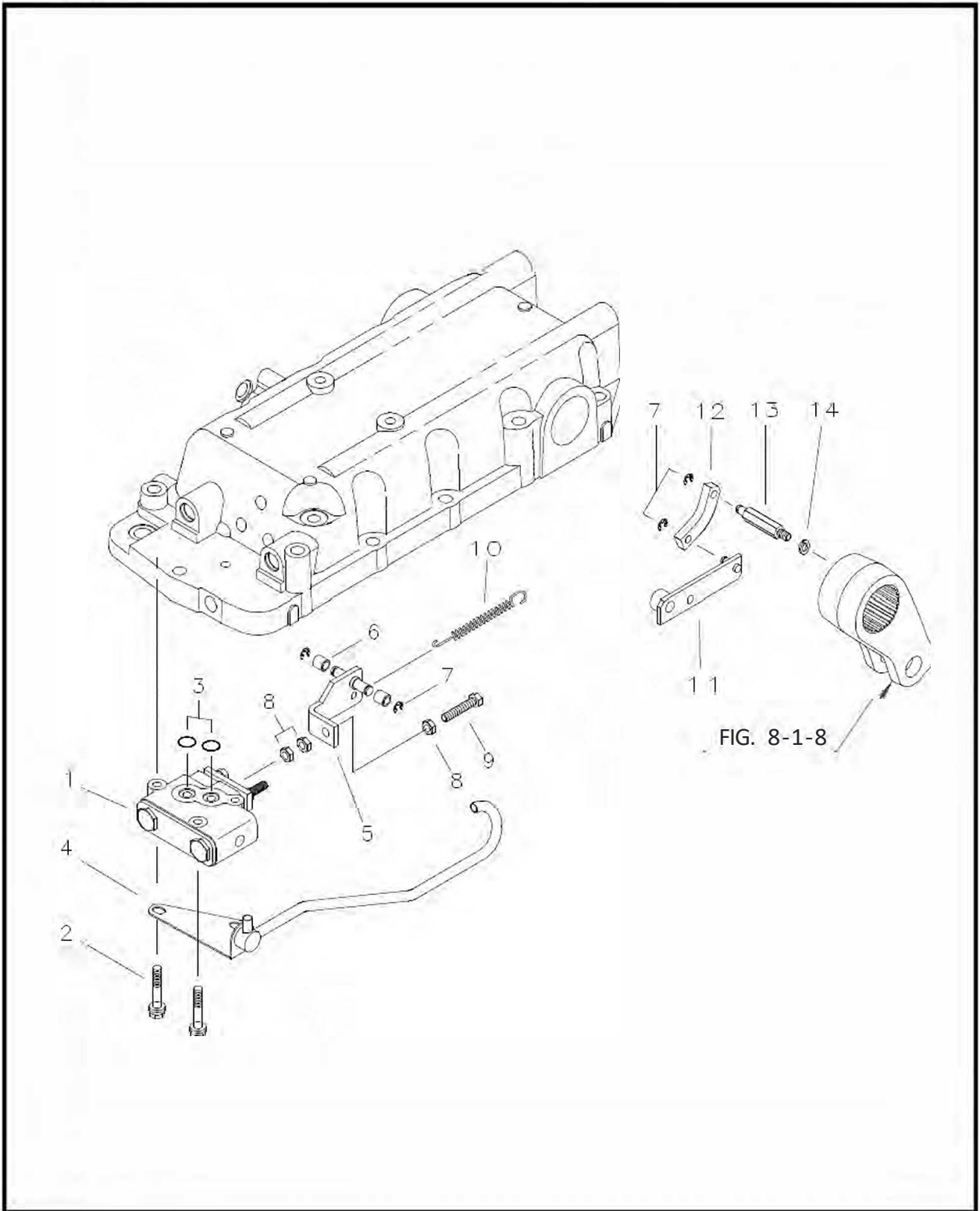
HYDAULIC HOUSING(820)

FIG. 8-1

KEY NO.	PART NO.	PART NAME & DESCRIPTION		MODEL & QTY		APPLI. NO.	REMARK
				330HT	360HT		
1	S105124543	BOLT, HEX . SMALL	M12x1.75x45L	5	5		
2	S361120013	WASHER, SPRING	<1>12.2xct>21.5x3.0t	12	12		
3	A1250049	PLUG, AIRVENT		1	1		
4	A1820032	HOUSING, HYO_ LIFT		1	1		
5	S105128543	BOLT, HEX. SMALL	M12x1.75x85L	3	3		
6	S105126043	BOLT, HEX . SMALL	M12><1.75x60L	4	4		

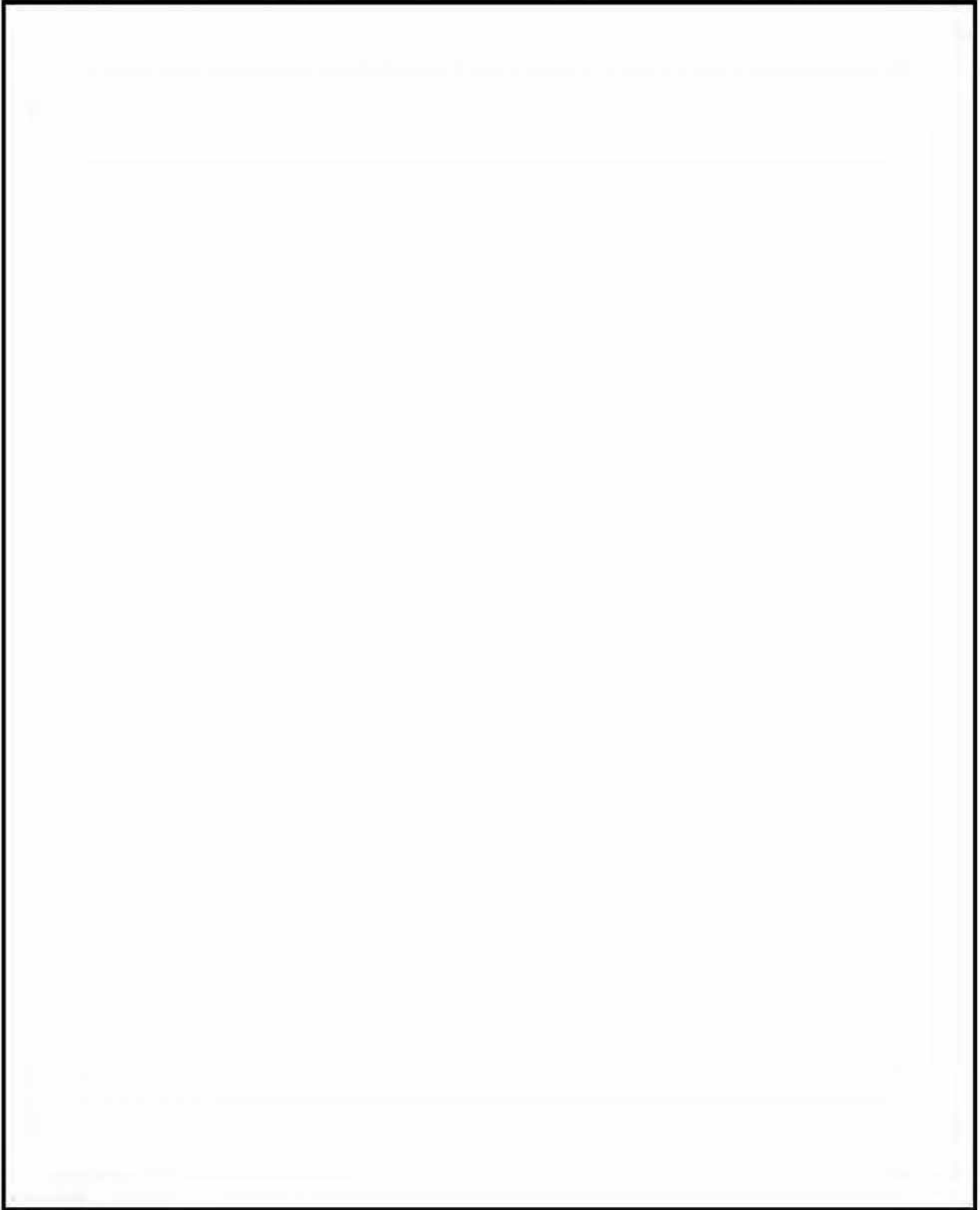
CONTROL VALVE & LINK(822)

FIG. 8-3



CONTROL VALVE & LINK(822)

FIG. 8-3



CONTROL VALVE & LINK(822)

FIG. 8-3

KEY NO.	PART NO.	PART NAME & DESCRIPTION		MODEL & QTY		APPLI. NO.	REMARK
				330HT	360HT		
1	A1822151	VALVE, CONTROL		1	1		
2	S155085033	BOLT, HEX	M8x1.25xS0L	3	3		
3	S801012020	O-RING	<1>11.8x2A	2	2		
4	2A1822012	PIPE, LUBRICATION		1	1		
5-7	A1824025	CLEVISASSY		1	1		
5	A1824030	CLEVIS		1	1		
6	3A1822006	ROLLER	φ>8xφ>12x12.5L	2	2		
7	S814006003	RING, SNAP (E)	φ6	4	4		
8	S313080043	NUT.HEX	M8x1.25	3	3		
9	S163085043	BOLT, HEX	M8x1.25x50L	1	1		
10	A1822086	SPRING		1	1		
11	A1824028	LINK		1	1		
12	3A1822010	LINK (E)		1	1		
13	A1822031	PIN	H12	1	1		
14	S361080013	WASHER, SPRING	φ>8.2xφ>15.4x2.ot	1	1		

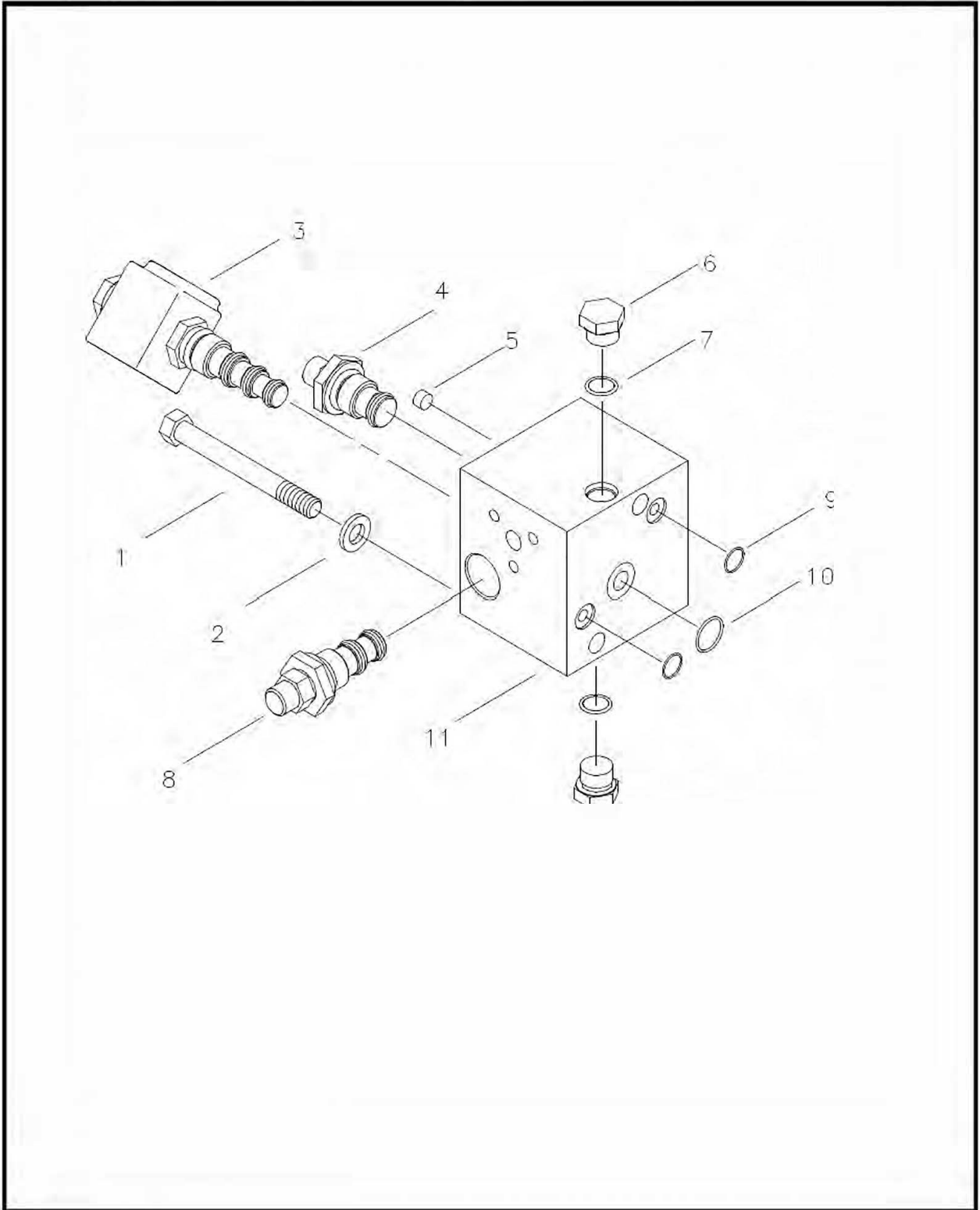
CONTROL VALVE & LINK(822)

FIG. 8-3

KEY NO.	PART NO.	PART NAME & DESCRIPTION		MODEL & QTY		APPLI. NO.	REMARK
				330HT	360HT		
1	A1822111	VALVE, CONTROL		1	1		
2	S155085033	BOLT, HEX	M8x1.25x50L	3	3		
3	S801012020	O-RING	<1>11.8x2A	2	2		
4	2A1822012	PIPE, LUBRICATION		1	1		
5-7	A1824025	CLEVISASSY		1	1		
5	A1824030	CLEVIS		1	1		
6	3A1822006	ROLLER	φ>8xφ>12x12.5L	2	2		
7	S814006003	RING, SNAP (E)	φ6	4	4		
8	S313080043	NUT.HEX	M8x1.25	3	3		
9	S163085043	BOLT, HEX	M8x1.25x50L	1	1		
10	A1822086	SPRING		1	1		
11	A1824028	LINK		1	1		
12	3A1822010	LINK (E)		1	1		
13	A1822031	PIN	H12	1	1		
14	S361080013	WASHER, SPRING	φ>8.2xφ>15.4x2.ot	1	1		

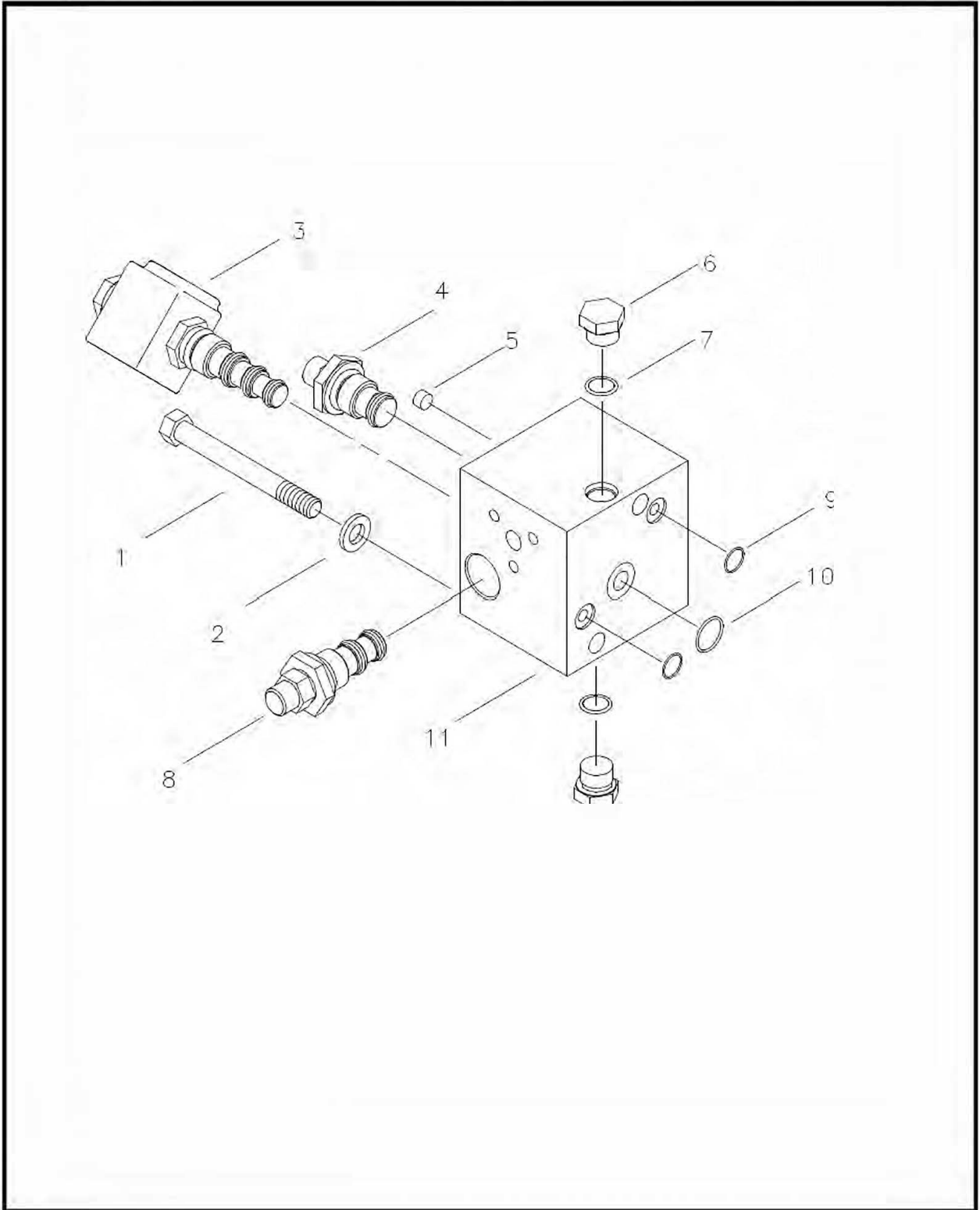
INDEPENDENT PTO VALVE(822)

FIG. 8-4A



INDEOENDENT PTOVALVE(822)

FIG. 8-4



INDEPENDENT PTO VALVE(822)

FIG. 8-4A

KEY NO.	PART NO.	PART NAME & DESCRIPTION		MODEL & QTY		APPLI. NO.	REMARK
				330HT	360HT		
1	S107109043	BOLT, HEX	M10x1.25x90	2	2		
2	S361100013	WASHER, SPRING	<1>18.4Xϕ10.2X2.5t	2	2		
3-11	A1822089	IND. PTO VAVLE ASSY		1	1		
3	A1822091	VAVLE, SOLENOID		1	1		
4	A1822105	VALVE, SEQUENCE		1	1		
5	A1822095	ORIFICE	ϕ13	1	1		
6	A1822094	PLUG	PF1/4	2	2		
7	S801011010	O-RING	D10.8x2-4	2	2		
8	A1822093	REDUCING VALVE		1	1		
9	S801011011	O-RJNG	D9.8x2.4	2	2		
10	S801018010	O-RING	D17.8x2.4	1	1		
11	A1822090	BODY, PTO VALVE		1	1		

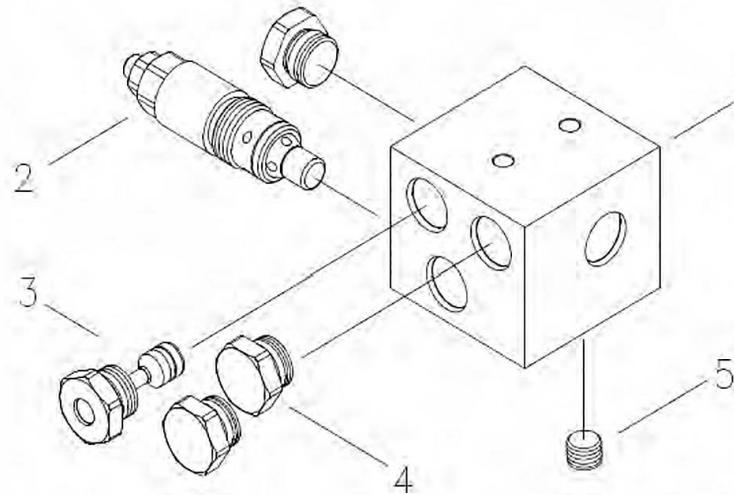
INDEOENDENT PTO VAL VE(822)

FIG. 8-4

KEY NO.	PART NO.	PART NAME & DESCRIPTION		MODEL & QTY		APPLI. NO.	REMARK
				330HT	360HT		
1	S107109043	BOLT, HEX	M10 x1.25x90L	2	2		
2	S361100013	WASHER, SPRING	<1>10.2xct>18.4x2.5t	2	2		
3-11	A1822089	IND. PTO VAVLE ASSY		1	1		
3	A1822092	VAVLE, SEQUENCE		1	1		
4	A1822095	ORIFICE		1	1		
5	A1822093	VAVLE, REDUCING		1	1		
6	A1822091	VAVLE, SOLENOID		1	1		
7	A1822090	BLOCK, IND. PTOVAVLE		1	1		
8	S801010011	O-RING	<1>10.8x2.4	2	2		
9	S801018010	O-RING	ct>17.8x2.4	1	1		
10	A1822094	PLUG	PF1/4"	2	2		
11	S801011010	O-RING	<1>10.8x2.4	2	2		

FRONT OUTLET & LOADER VALVE(822)

FIG. 8-4B



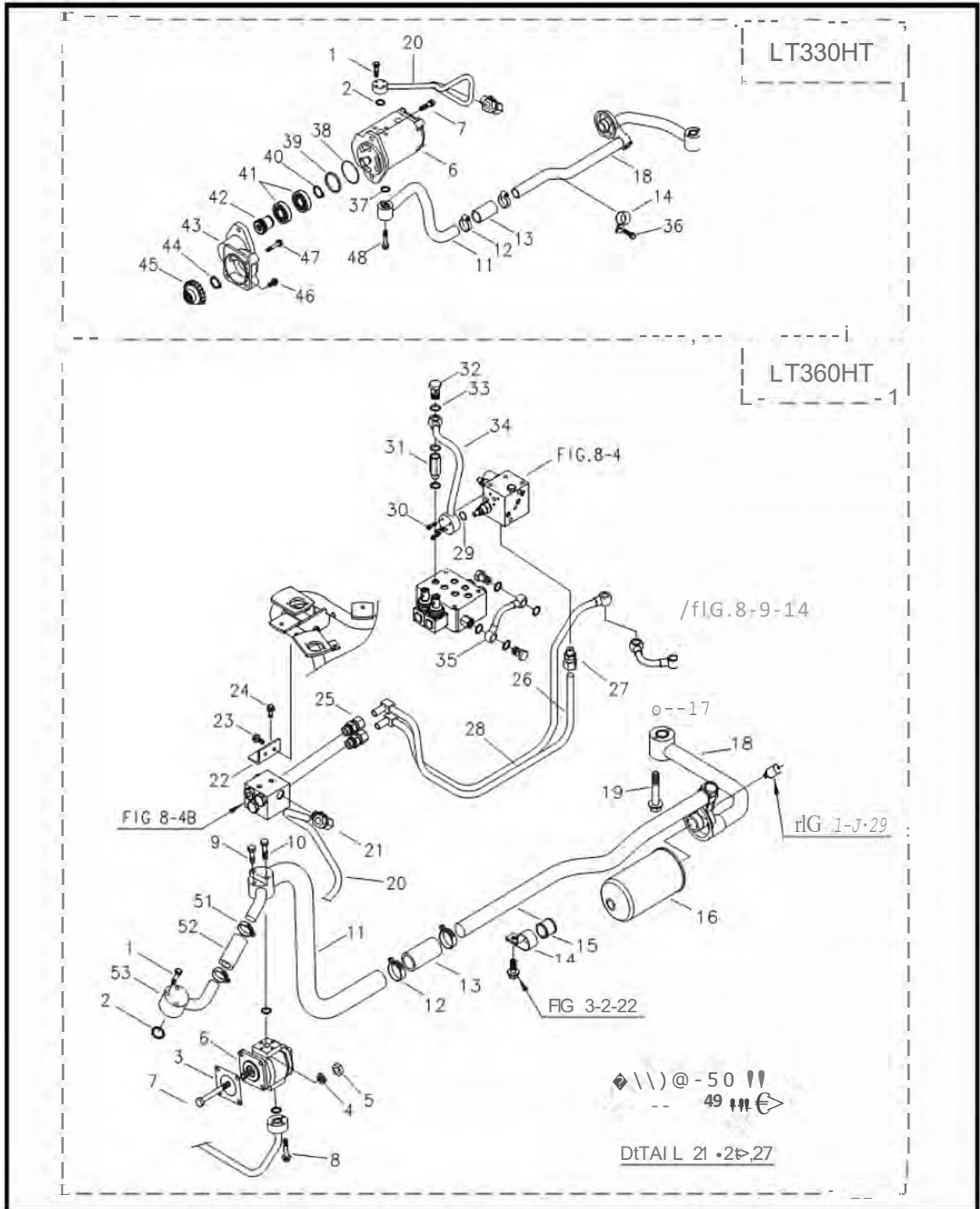
FRONT OUTLET & LOADER VALVE(822)

FIG. 8-48

KEY NO.	PART NO.	PART NAME & DESCRIPTION		MODEL & QTY		APPLI. NO.	REMARK
				330HT	360HT		
1-5	A1822127	OUTLET VALVE ASSY		1	1		
1	A1822128	VALVE BLOCK		1	1		
2	A1822077	VALVE, RELIEF		1	1		
3	A1822131	PLUG, CARRY OVER		1	1		
4	A5001244	PLUG	PF1/2	3	3		
5	A0610168	PLUG	PT1/4	1	1		

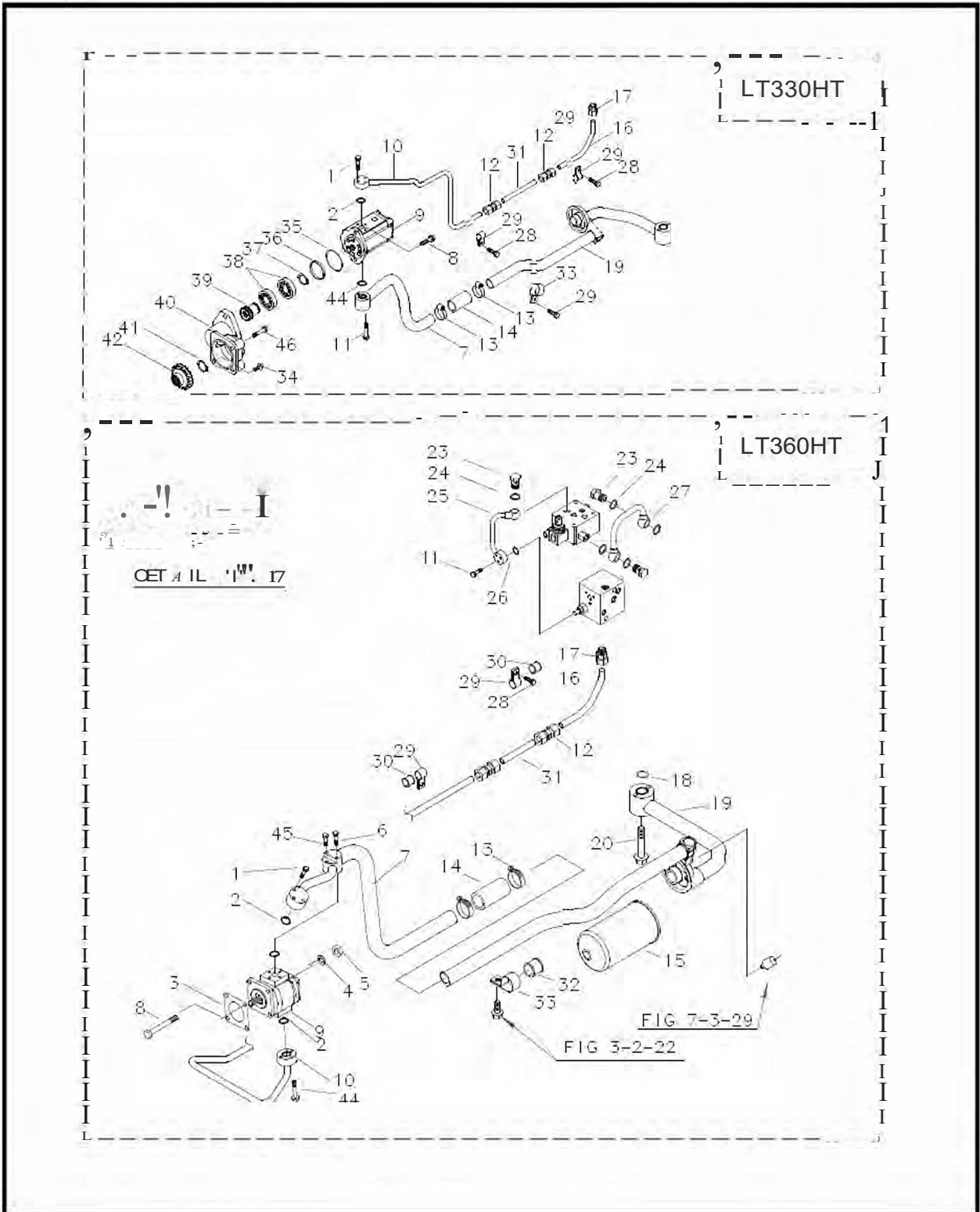
HYDRAULIC PIPE(823)

FIG. 8-5B



HYDRAULIC PIPE(823)

FIG. 8-S



HYDRAULIC PIPE(823)

FIG. 8-58

AG, VA

KEY NO.	PART NO.	PART NAME & DESCRIPTION		MODEL & QTY		APPLI. NO.	REMARK
				330HT	360HT		
1	S153064533	BOLT, HEX	M6x1.0x45L	•	3		
	S153083533	BOLT, HEX	M8x1.25x35L	4	•		
2	S801018010	O-RING	∅17.8x24	1	3		
3	3A1823010	GASKET, PUMP	0.5t	•	1		
4	S361080013	WASHER, SPRING	∅8.2x∅15.4x2.0t	•	4		
5	S313080043	NUT, HEX. S 2-TY	M8x1.25	•	2		
6	A1823279	PUMP, HYD. LIFT	12cc/rev	•	1		
	A1823351	PUMP, HYD. LIFT	7.2/12 cc/rev	1	•		
7	A1970325	BOLT, HEX.	M8x1.25x150L	•	2		
	S107103033	BOLT, HEX.	M10x1.25x30L	2	•		
8	S153063533	BOLT, HEX	M6x1.0x35L	•	3		
9	S153064033	BOLT, HEX	M6x1.0x40L	•	1		
10	S153065033	BOLT, HEX	M6x1.0x50L	•	2		
11	A1823535	PIPE, FRT/SUCTION	∅35	•	1		
	A1823344	PIPE, FRT/SUCTION	∅35	1	•		
12	A1970201G	CLAMP, HOSE	27-50	2	2		
13	A5000401	HOSE, SUCTION		1	1		
14	A1823350	CLAMP		•	1		
	A1823307	CLAMP		1	•		
15	A1823313	CUSHION, CLAMP		1	1		
16	A1823315	FILTER, HYD		1	1		
17	S804030010	O-RING	∅29.5x2.0	1	1		
18	A1823343	PIPE, R/SUCTION	∅35	•	1		
	A1823345	PIPE, R/SUCTION	∅35	1	•		
19	S154107533	BOLT, HEX	M10x1.25x75L	2	2		
20	A1823498	PIPE, FRONT PRESSURE		1	1		
21	A1823092	ELBOW		1	1		
22	A1822157	BRACKET, OUTLET VALVE		1	1		
23	S153082533	BOLT,HEX.W/WASHER	M8x1.25x25L	2	2		
24	S153082033	BOLT,HEX.W/WASHER	M8x1.25x20L	2	2		
25	A1823144	JOINT	BOM15-04G	2	2		
26	A1823502	PIPE, MIDDLE PRESSURE		1	1		
27	A1823189	JOINT	BOM15-03G	1	1		
28	A1823500	PIPE, VALVE DRAIN		1	1		
29	S801016010	O-RING	∅15.8x2.4	1	1		
30	S153063033	BOLT, HEX	M6x1.0x30L	3	3		
31	A1827157	CONNECTOR		1	1		
32	A1630201	BOLT, UNION	PF3/8	3	3		
33	A1823245	SEAL, BONDED	∅16.8x∅24x1.5t	6	6		
34	A1823181	PIPE, AUX. PRESSURE	∅12	1	1		

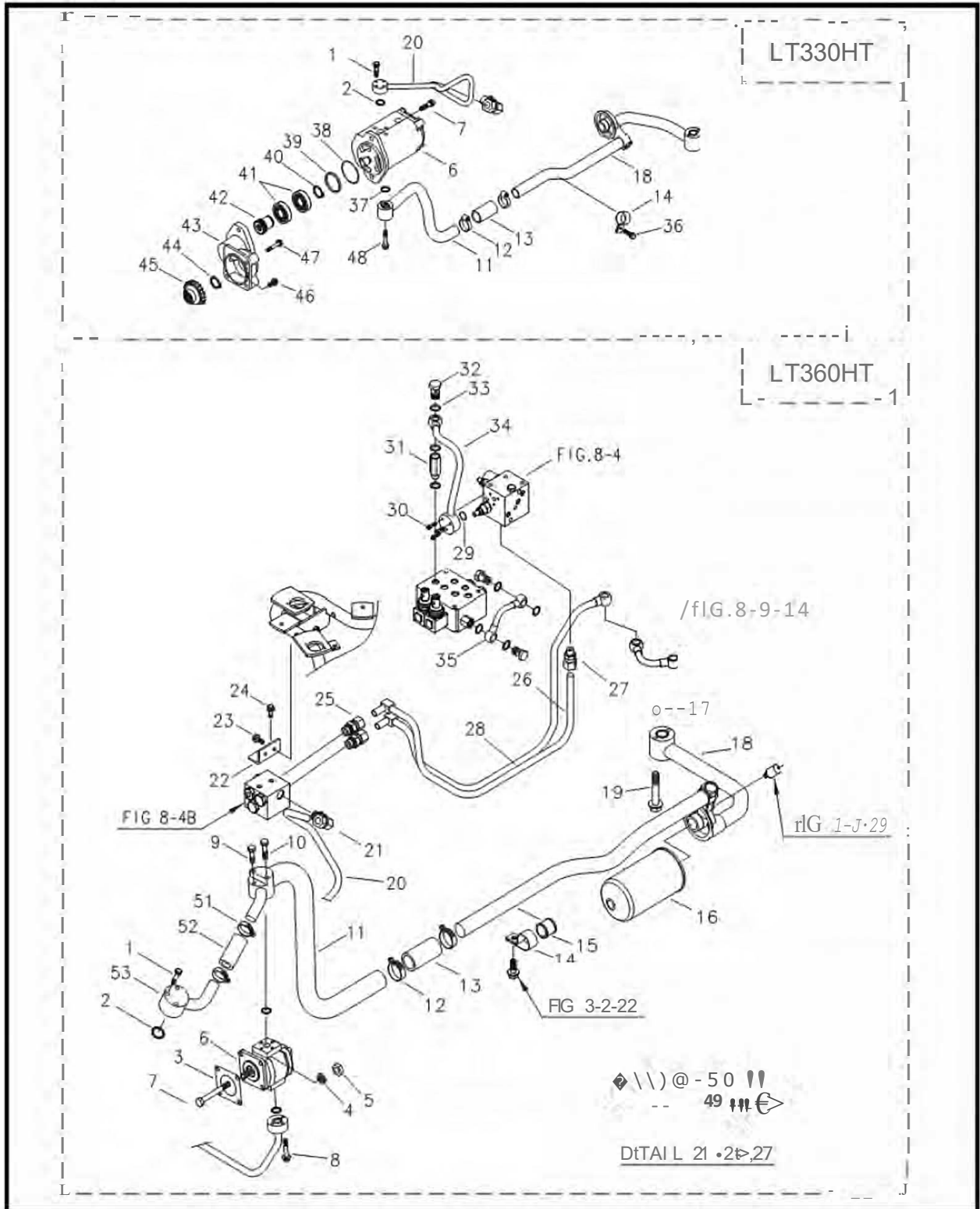
HYDRAULIC PIPE(823)

FIG. 8-5

KEY NO.	PART NO.	PART NAME & DESCRIPTION		MODEL & QTY		APPLI. NO.	REMARK
				330HT	360HT		
1	S153064533	BOLT, HEX	M6x1.0x45L	•	3		
	S153083533	BOLT, HEX	M8X1.25X35L	4	•		
2	S801018010	O-RING	\$17.8X2.4	1	3		
3	3A1823010	GASKET, PUMP	0.5t	•	1		
4	S361080013	WASHER, SPRING	\$8.2X\$15.4X2.Qt	•	4		
5	S313080043	NUT, HEX. S 2-TY	M8X1.25	•	2		
6	S153065533	BOLT, HEX	M6x1.0x55L	•	2		
7	A1823342	PIPE, FRT/SUCTION	qj35	•	1		
	A1823344	PIPE, FRT/SUCTION	qj35	1			
8	A1970325	BOLT, HEX	MBx1.25x150L	•	2		
	S107103033	BOLT, HEX	M10x1.25x30L	2	•		
9	A1823279	PUMP, HYD _ LIFT	12cdrev	•	1		
	A1823351	PUMP, HYD _LIFT	7.2/12 cdrev	1	•		
10	A1823347	PIPE, F/PRESSURE	\$15	•	1		
	A1823348	PIPE, F/PRESSURE	\$15	1	•		
11	S153063533	BOLT, HEX	M6X1.0X35L	3	3		
	S153085533	BOLT, HEX	MBx1.25x55L	2	•		
12	A1823076	STRAIGHT UNION	BU-15	2	2		
13	A1970201G	CLAMP, HOSE	27-50	2	2		
14	A5000401	HOSE, SUCTION		1	1		
15	A1823315	FILTER, HYD		1	1		
16	A1823349	PIPE, MID/PRESSURE	\$15	1	1		
17	A1823189	JOINT	BOM15-03G	1	1		
18	S804030010	O-RING	\$29.5x20	1	1		
19	A1823343	PIPE, R/SUCTION	qj35	•	1		
	A1823345	PIPE, R/SUCTION	qj35	1	•		
20	S154107533	BOLT, HEX	M10X1.25X75L	2	2		
21	A1823033	SLEEVE	\$15	5	5		
22	A1823034	NUT, HEX		5	5		
23	A1630201	BOLT, UNION	PF3/8	3	3		
24	A1823245	SEAL, BONDED	\$16.8X\$24X 1.5t	6	6		
25	A1823393	PIPE, AUX. PRESSURE	\$12	1	1		
26	S801016010	O-RING	\$15.8X2.4	1	1		
27	A1823182	PIPE, R/PRESSURE	\$12	1	1		
28	S159082533	BOLT, HEX	M8X1.25X25L	3	2		
29	A1823121	CLAMP, PIPE		2	2		
30	3A1823029	CUSHION , CLAMP		2	2		
31	A1823256	PIPE, MID/CONNECTION	\$15	1	1		
32	A1823313	CUSHION , CLAMP		1	1		
33	A1823350	CLAMP		•	1		

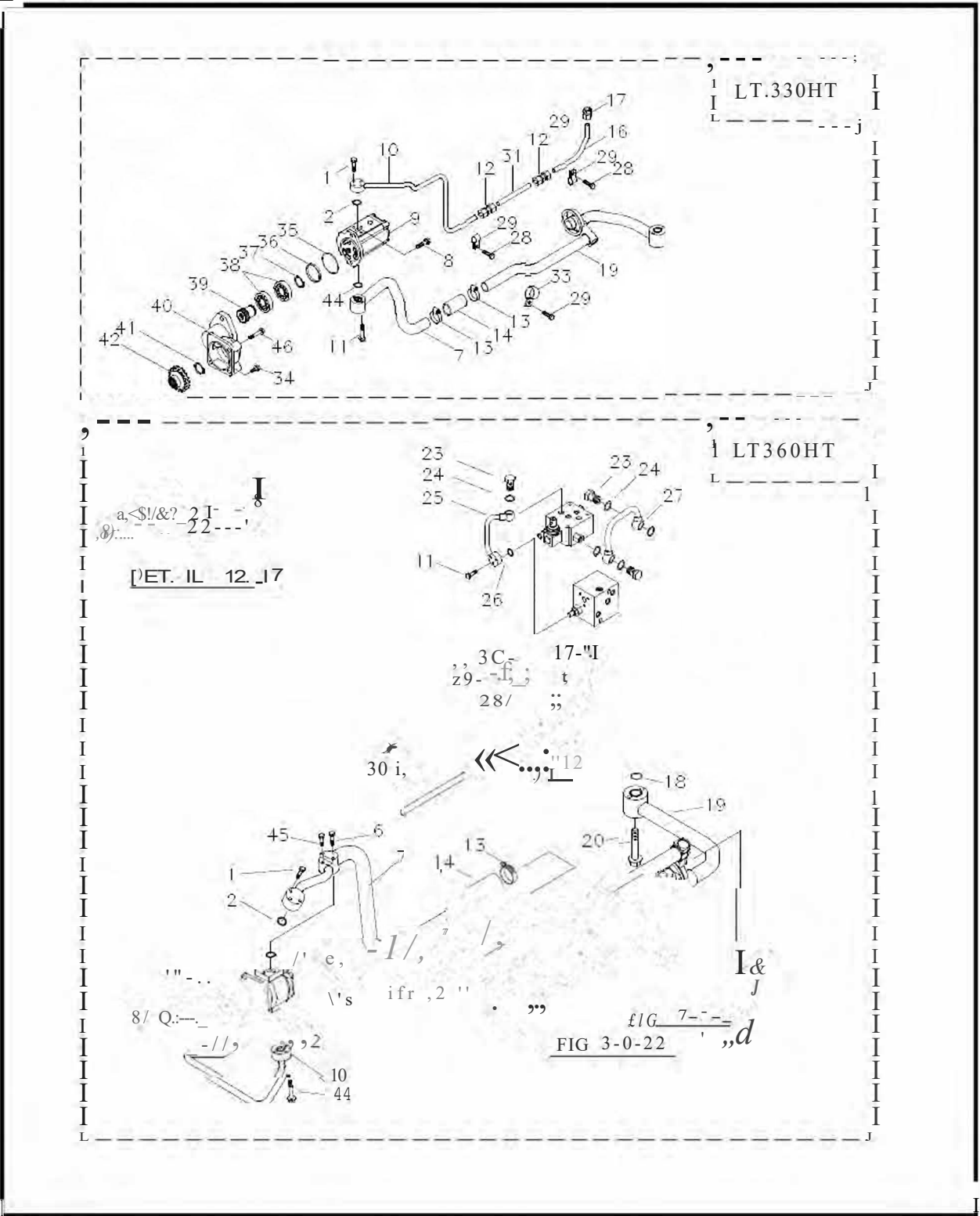
HYDRAULIC PIPE(823)

FIG. 8-5B



HYDRAULIC PIPE(823)

FIG. 8-5



HYDRAULIC PIPE(823)

FIG. 8-58

AG, VA

KEY NO.	PART NO.	PART NAME & DESCRIPTION	MODEL & QTY		APPLI. NO.	REMARK
			330HT	360HT		
35	A1823182	PIPE, R/PRESSURE	∅12	1	1	
36	S159082533	BOLT, HEX	M8x1.25x25L	1	•	
37	S804024010	O-RING	∅23.5x2.0	1	•	
38	S804080010	O-RING	∅79.5x2.0	1	•	
39	A1823335	SPACE, HOLDER	∅60.5x5.5t	1	•	
40	S810030001	RING,SNAP	∅30	1	•	
41	A0860060	BEARING, BALL	#6006	2	•	
42	A1823334	GEAR, PUMP DRVN		1	•	
43	A1823336	HOLDER, GEAR PUMP		1	•	
44	S810025001	RING,SNAP	∅25	1	•	
45	A1823333	GEAR, PUMP DRN		1	•	
46	S155082533	BOLT, HEX	M8x1.25x25L	1	•	
47	S153084533	BOLT, HEX	M8x1.25x45L	2	•	
48	S153085533	BOLT, HEX	M8x1.25x55L	2	•	
49	A1823033	SLEEVE	∅15	5	5	
50	A1823034	NUT, HEX		5	5	
51	A1970201D	CLAMP, HOSE		•	2	
52	A1823331	HOSE, F/SUCTION PIPE		•	1	
53	A1823457	ADAPTOR, F/SUCTION(S4L)		•	1	

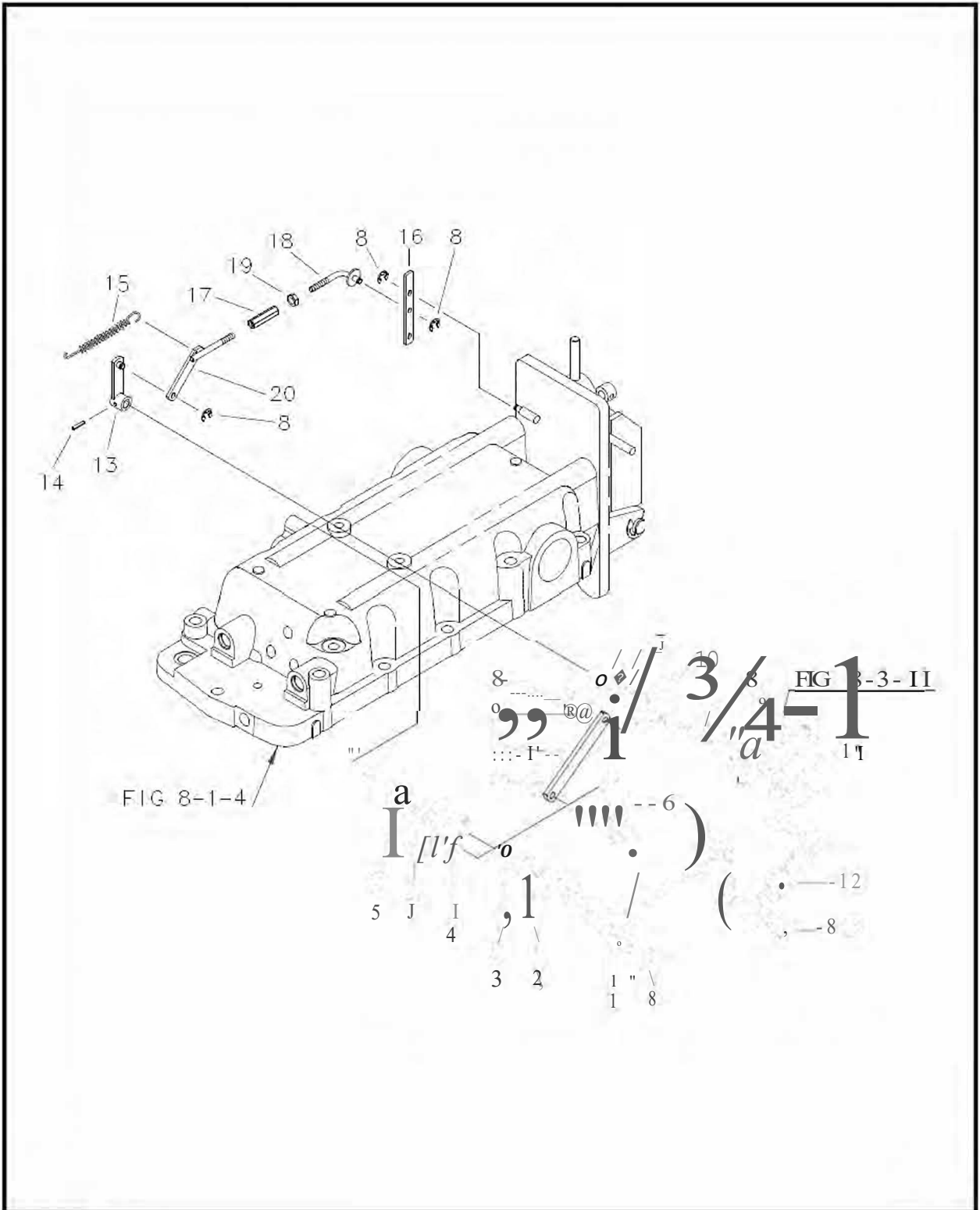
HYDRAULIC PIPE(823)

FIG. 8-5

KEY NO.	PART NO.	PART NAME & DESCRIPTION		MODEL & QTY		APPLI. NO.	REMARK
				330HT	360HT		
33	A1823307	CLAMP		1	•		
34	S155082533	BOLT, HEX	MBx1.25x25L	1	•		
35	S804080010	O-RJNG	<1>79.5X20	1	•		
36	A1823335	SPACE,HOLDER	<1>60.5X55	1	•		
37	S810030001	RING,SNAP	<1>80	1	•		
38	A0860060	BEARING, BALL	#6006	2	•		
39	A1823334	GEAR, PUMP DRVN		1	•		
40	A1823336	HOLDER, GEAR PUMP		1	•		
41	S810025001	RING,SNAP	<1>85	1	•		
42	A1823333	GEAR, PUMP ORN		1	•		
43	S804024010	O-RJNG	<1>23.5X20	1	•		
44	S153063033	BOLT, HEX	M6x1.0x40L	•	3		
45	S153064033	BOLT, HEX	M6x1.0x30L	•	1		
46	S155084533	BOLT, HEX	M8x1.25x45L	2	•		

HYDRAULIC LINKAGE(824)

FIG. 8-6



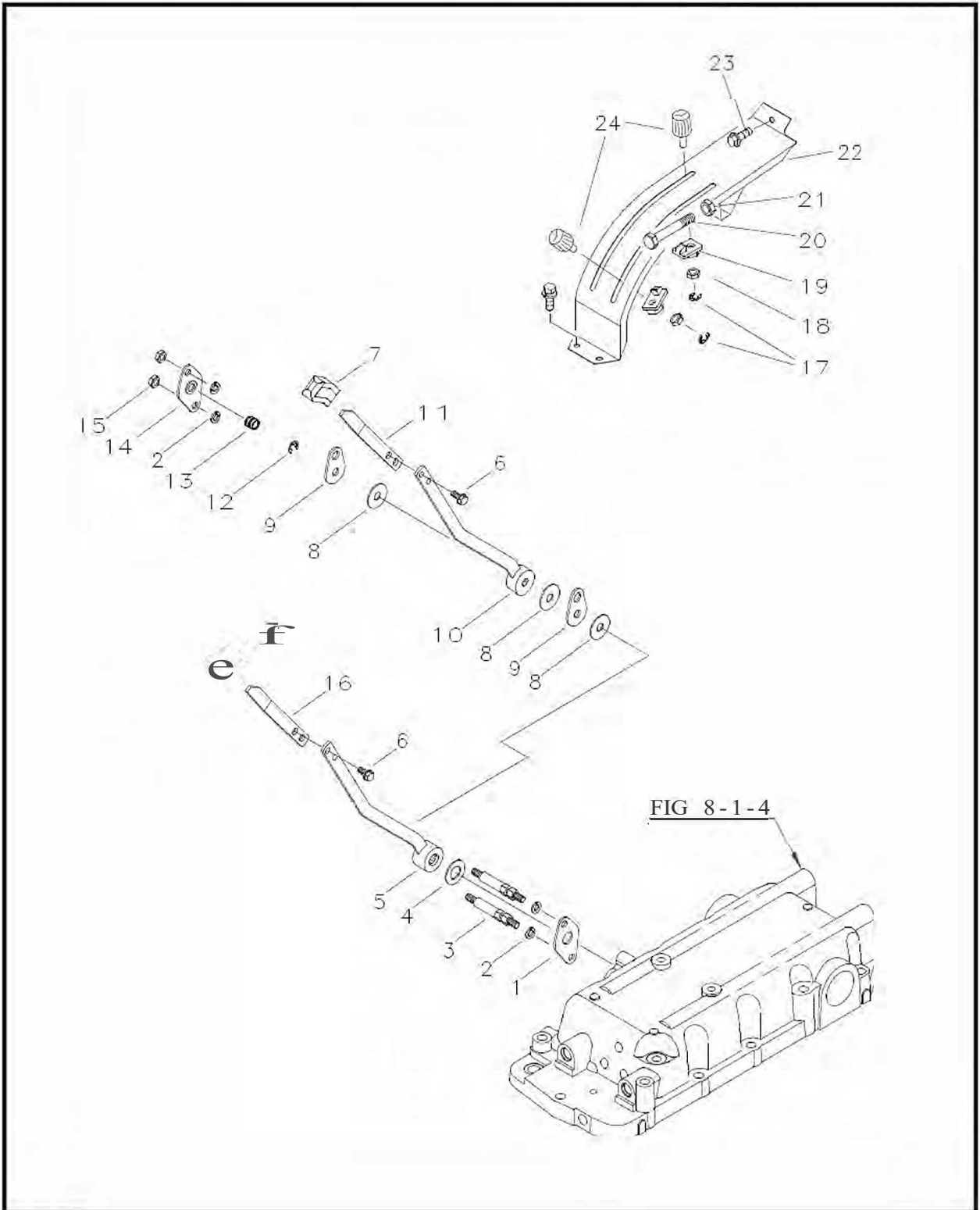
HYDRAULIC LINKAGE(824)

FIG. 8-6

KEY NO.	PART NO.	PART NAME & DESCRIPTION		MODEL & QTY		APPLI. NO.	REMARK
				330HT	360HT		
1	A1824020	SHAFT, POSITION		1	1		
2	A1824029	SPACER	∅12X∅20x23.5	1	1		
3	S801009010	O-RING	<1>8.8x19	2	2		
4	A1824021	SHAFT, DRAFT		1	1		
5	S801016010	O-RING	D15.8x2.4	1	1		
6	3A1824003	LINK (B)		2	2		
7	A1824097	LINK, DRAFT		1	1		
8	S814006003	RING,SNAP	∅6	9	9		
9	S364080013	WASHER, FLAT	<∅>8.4x<∅>17x1.6t	2	2		
10	A1824022	SHAFT		1	1		
11	S814009003	RING.SNAP	∅9	1	1		
12	A1824026	LINK, POSITION		1	1		
13	A1824019	ARM		1	1		
14	S446042012	PIN,SPRING	∅4x20	1	1		
15	A1824035	SPRING		1	1		
16	3A1824011	LINK		1	1		
17	3A1824014	JOINT		1	1		
18	3A1824010	ROD (A)		1	1		
19	S313080043	NUT, HEX		1	1		
20	3A1824007	ROD (B)		1	1		

HYDRAULIC LEVER GROUP(825)

FIG. 8-7



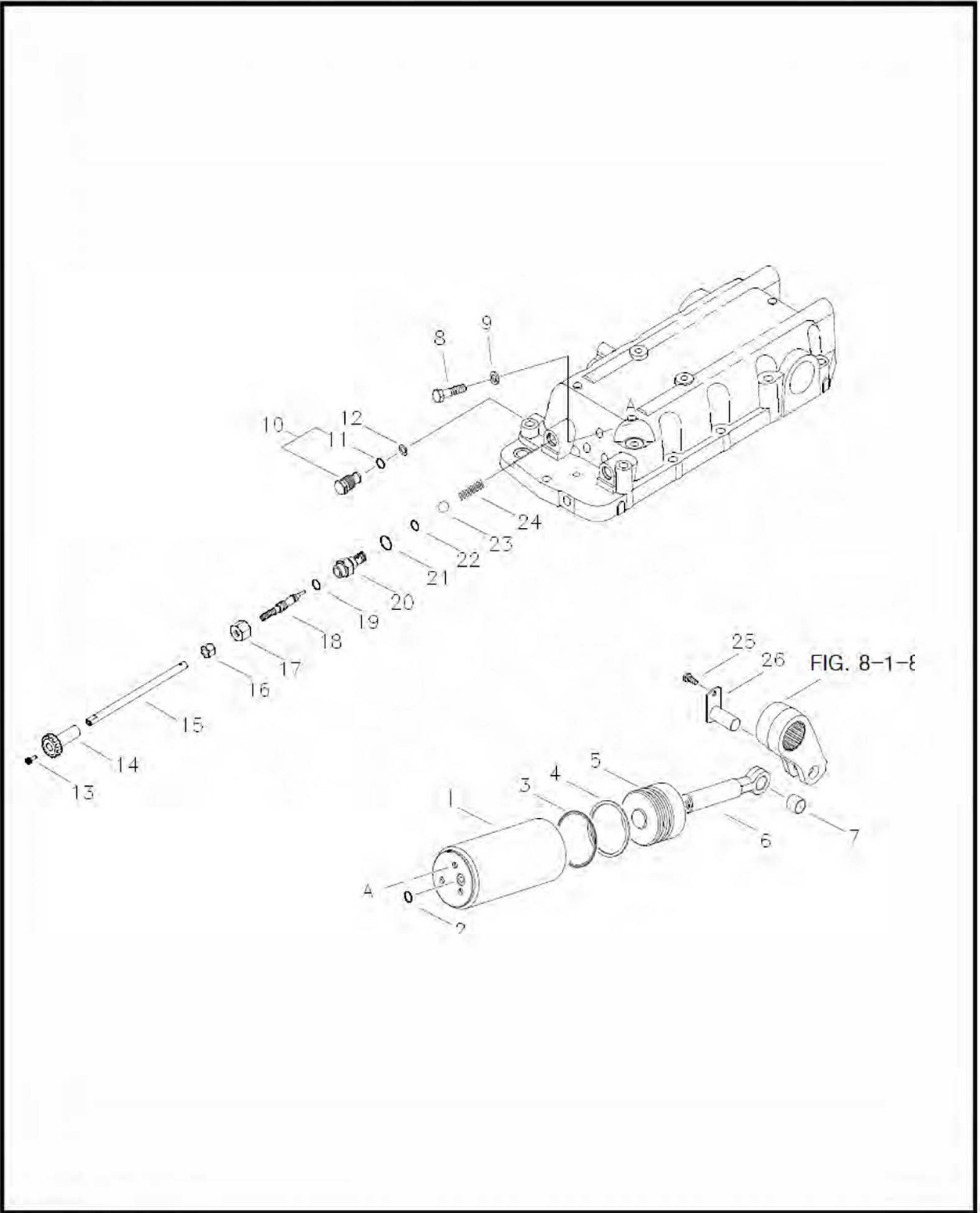
HYDRAULIC LEVER GROUP(825)

FIG. 8-7

KEY NO.	PART NO.	PART NAME & DESCRIPTION		MODEL & QTY		APPLI. NO.	REMARK
				330HT	360HT		
1	A1825033	COVER		1	1		
2	S361100013	WASHER, SPRING	∠10.2x∠18.4x2.5t	4	4		
3	A1825085	SUPPORT, LEVER		2	2		
4	A1825023	PLATE, FRICTION(L)	∠21 ×2	1	1		
5	A1825059	LEVER, DRAFT CONTROL		1	1		
6	S155082033	BOLT, HEX	M8x1.25x2DL	4	4		
7	A1970241	GRIP, HANDLE		2	2		
8	A1825024	PLATE, FRICTION(S)	∠13x2t	3	3		
9	A1825053	PLATE, LOCKING		2	2		
10	A1825058	LEVER, POSITION		1	1		
11	A1825061	EXTENTION, LEVER		1	1		
12	S810012001	RING,SNAP	∠12	1	1		
13	A1825086	SPRING		1	1		
14	A1825034	COVER		1	1		
15	S302100043	NUT, HEX	M10×1.25	2	2		
16	A1825060	EXTENTION, LEVER		1	1		
17	S814006003	RING,SNAP		4	4		
18	S305080043	NUT, HEX		4	4		
19	A1825057	STOP, PLATE		4	4		
20	S163085043	BOLT, HEX		2	2		
21	S313080013	NUT, HEX		2	2		
22	A1825159	GUIDE, HYD. LEVER		1	1		
23	S159081633	BOLT, HEX		3	3		
24	A1825056	KNOB		4	4		

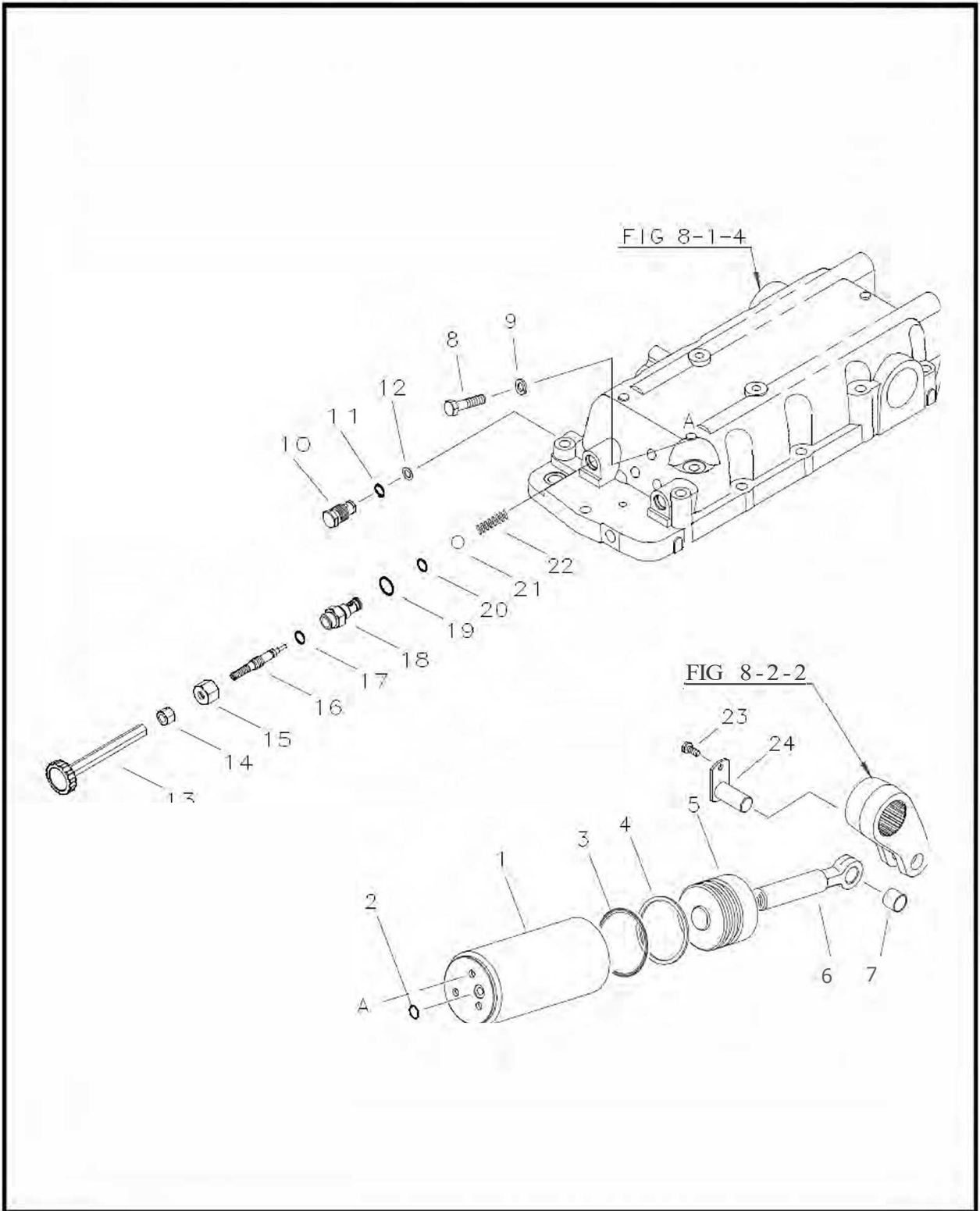
HYDRAULIC CYLINDER(826)

FIG. 8-8



HYDRAULIC CYLINDER(826)

FIG. 8-8



HYDRAULIC CYLINDER(826)

FIG. 8-8

KEY NO.	PART NO.	PART NAME & DESCRIPTION		MODEL & QTY		APPLI. NO.	REMARK
				330HT	360HT		
1	A1826032	CYLINDER, HYO.	4-80	1	1		
2	S801014020	O-RING	4->13.8X2.4	1	1		
3	A1826085	O-RING	4->69.6X5.7	2	2		
4	A1826048	RING, BACKUP	4->80X-<->70X3t	2	2		
5	3A1826003	PISTON, HYO.	4-80	1	1		
6	A1826033	ROD, PISTON		1	1		
7	3A1970002	BUSHING	<->22X<->25X20	1	1		
8	S103125043	BOLT, HEX	M12x1 .25x50	3	3		
9	S361120013	WASHER, SPRING	<->12.2X3t	3	3		
10	A1826037	VALVE, SAFETY		1	1		
11	S801018010	O-RING	017.8X2.4	1	1		
12	A1826036	SEAL	4->10.5X<->18X1 t	1	1		
13	S157051633	BOLT, HEX.	M5X0.8X16	1	1		
14	A1970353	KNOB		1	1		
15	A1826130	ROD		1	1		
16	S345080013	NUT, FLANGE B-TY	M8x1.25	1	1		
17-22	A1826078	FLOW, REGULATOR		1	1		
17	A1826081	NUT, HEX	M18X1 .25	1	1		
18	A1826080	SCREW, ADJUST		1	1		
19	S801006020	O-RING	4->5.8X1 .9	1	1		
20	A1826079	BODY, REGULATOR		1	1		
21	S801014020	O-RING	013.8x2.4	1	1		
22	S801010020	O-RING	09.8Xi .9	1	1		
23	A20063480	BALL, STEEL	3/8"	1	1		
24	A1826058	SPRING	4->8.6X1 .4	1	1		
25	S153081633	BOLT, HEX	M8x1.25x16	1	1		
26	3A1826001	PIN	<->22	1	1		

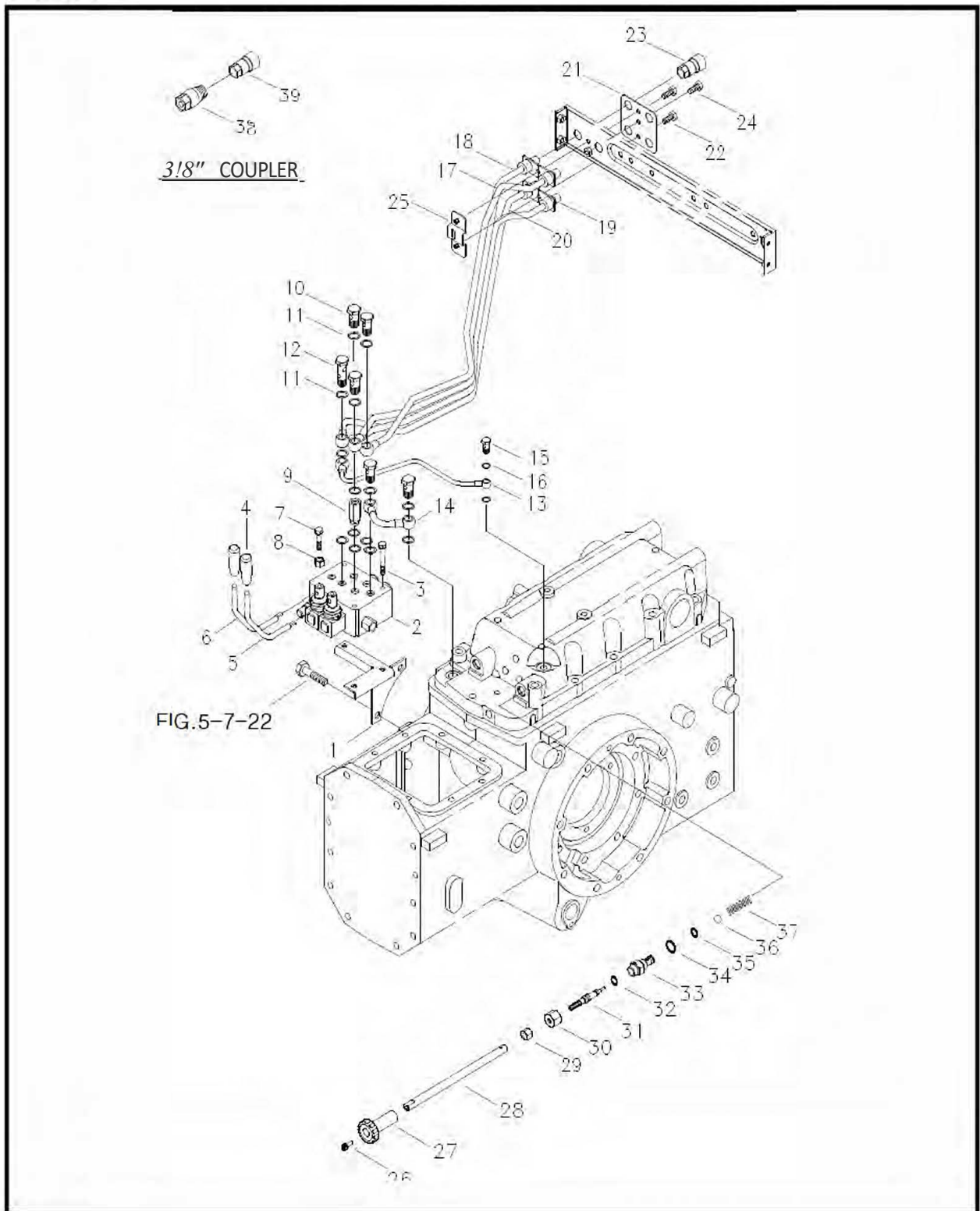
HYDRAULIC CYLINDER(826)

FIG. 8-8

KEY NO.	PART NO.	PART NAME & DESCRIPTION		MODEL & QTY		APPLI. NO.	REMARK
				330HT	360HT		
1	A1826032	CYLINDER, HYO	4-80	1	1		
2	S801014020	O-RING	4-13.8x2.4	1	1		
3	A1826085	O-RING	4-69.6x5.7	2	2		
4	A1826048	RING, BACKUP	4-70->4-80x3.0t	2	2		
5	3A1826003	PISTON, HYO	4-80	1	1		
6	A1826033	ROD, POSITION		1	1		
7	3A1970002	BUSHING	4-22X4>25x20L	1	1		
8	S103125043	BOLT, HEX	M12->1.25x50L	3	3		
9	S361120013	WASHER, SPRING	4-12.2xφ21.5x3.0t	3	3		
10	A1826037	VALVE, SAFETY		1	1		
11	S801018010	O-RING	4-17.8x2.4	1	1		
12	A1826036	SEAL	4-10.5x4-18->1.0t	1	1		
13	A1970259	KNOB		1	1		
14	S345080013	NUT, FLANGE B-TY	M8x1.25	1	1		
15-20	A1826078	FLOW, REGULATOR		1	1		
15	A1826081	NUT, HEX	M18x1.25	1	1		
16	A1826080	SCREEW, ADJUST		1	1		
17	S801006020	O-RING	4-5.8x1.9	1	1		
18	A1826079	BODY, REGULATOR		1	1		
19	S801014020	O-RING	4-13.8x2.4	1	1		
20	S801010020	O-RING	4-9.8x1.9	1	1		
21	A20063480	BALL, STEEL	3/8"	1	1		
22	A1826058	SPRING	4-8.6x1.4	1	1		
23	S153101633	BOLT, HEX	M8x1.25x16L	1	1		
24	3A1826001	PIN	4-22	1	1		

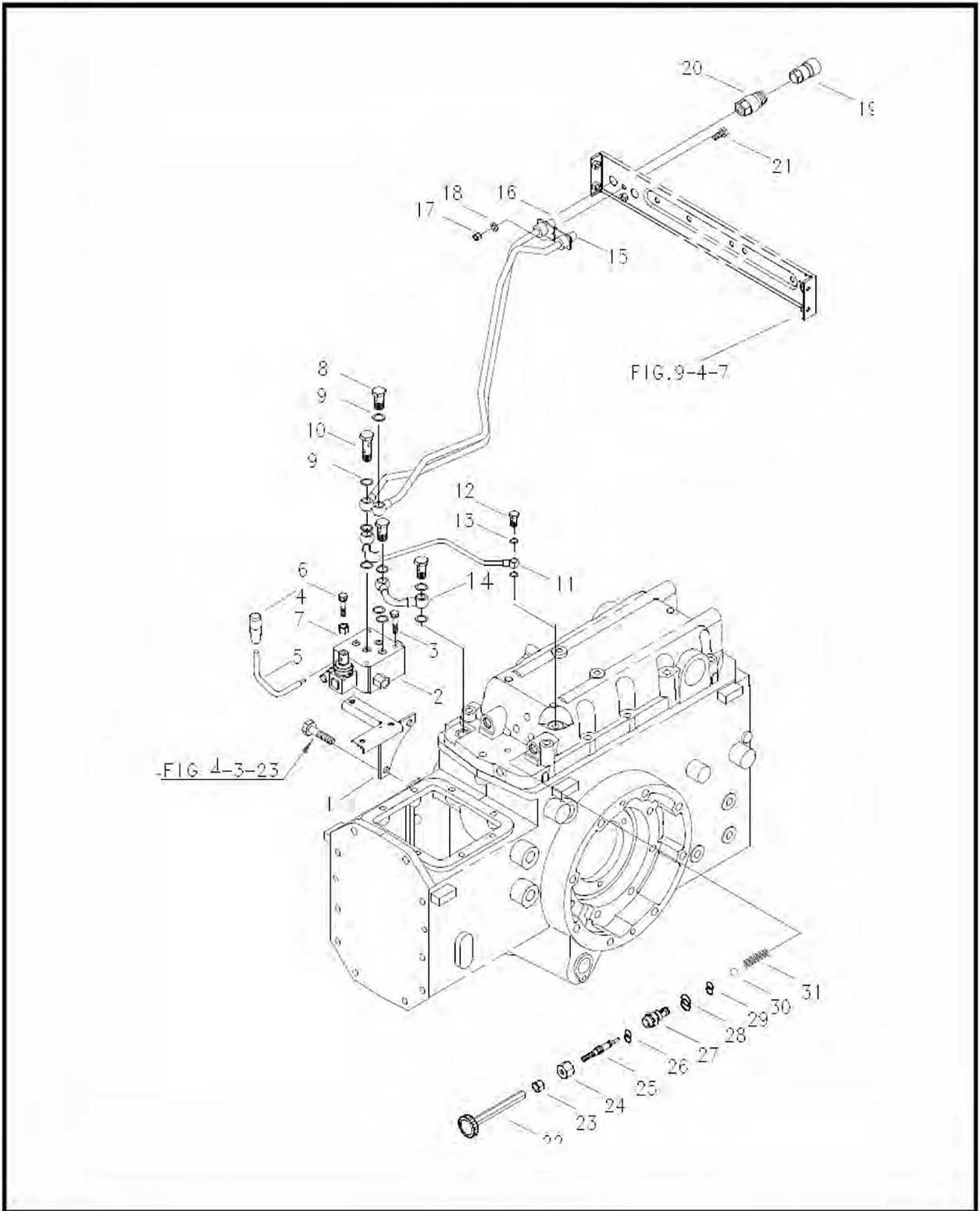
SUB VALVE(827)

FIG. 8-9



SUB VALVE(827)

FIG. 8-9



SUB VALVE(827)

FIG. 8-9

AG. VA

KEY NO.	PART NO.	PART NAME & DESCRIPTION		MODEL & QTY		APPLI. NO.	REMARK
				330HT	360HT		
1	A1827278	BRACKET, VALVE		1	1		
2	A1827260	VALVE, REMOTE CON.	SD \diamond 2	1	1		
3	S153086033	BOLT, HEX	M8x1.25x60	3	3		
4	A1970242	GRIP, VALVE LEVER		2	2		
5	A1827145	LEVER(2), VALVE		1	1		
6	A1827144	LEVER(1), VALVE		1	1		
7	S101102543	BOLT, HEX. SMALL	M10x1.5x25	2	2		
8	S305100013	NUT, HEX	M10x1.5	2	2		
9	A1827152	CONNECTOR	PF3/8	1	1		
10	A1630201	BOLT, UNION	PF3/8	4	4		
11	A1823245	SEAL, BONDED	<1>24Xϕ16.8X1 t	15	15		
12	A1827151	BOLT, UNION	PF3/8	2	2		
13	A1827154	PIPE, AUX. S/D		1	1		
14	A1827150	PIPE, AUX. DRAIN		1	1		
15	A1823157	BOLT, UNION	M12x1.75	1	1		
16	A1823158	WASHER, COPPER	<math>t>18X12.2X1t	2	2		
17	A1827279	PIPE, 1ST UP	PT 1/2"	1	1		
18	A1827281	PIPE, 2ND UP	PT 1/2"	1	1		
19	A1827280	PIPE, 1ST ON	PT 1/2"	1	1		
20	A1827282	PIPE, 2ND ON	PT 1/2"	1	1		
21	A1827167	BRACKET, PIPE		1	1		
22	S159082033	BOLT, HEX W/WASHER	M8x1.25x20	2	2		
23	A1827177	QUICK COUPLER	PT1/2"	4	4		
24	S159081633	BOLT, HEX W/WASHER	M8x1.25x16	1	1		
25	A1827196	BRACKET PIPE		1	1		
26	S157051633	BOLT, HEX.	M6X1.0X16	1	1		
27	A1970353	KNOB		1	1		
28	A1826130	ROD		1	1		
29	S345080013	NUT . FLANGE B - TY	M8x1.25	1	1		
30-35	A1826078	FLOW, REGULATOR		1	1		
30	A1826081	NUT, HEX	M18x1.5	1	1		
31	A1826080	SCREW, ADJUST		1	1		
32	S801006020	O-RING	D5.8X1 .9	1	1		
33	A1826079	BODY, REGULATOR		1	1		
34	S801014020	O-RING	D13.8X2.4	1	1		
35	S801010020	O-RING	D9.8x1.9	1	1		
36	A20063480	BALL, STEEL	3/8" TAB16306	1	1		
37	A1826058	SPRING	ϕ8.6xϕ1.4	1	1		
38	A1827286	ADAPTER	PT3/8"	4	4		
39	A1827168	QUICK COUPLER	PT3/8"	4	4		

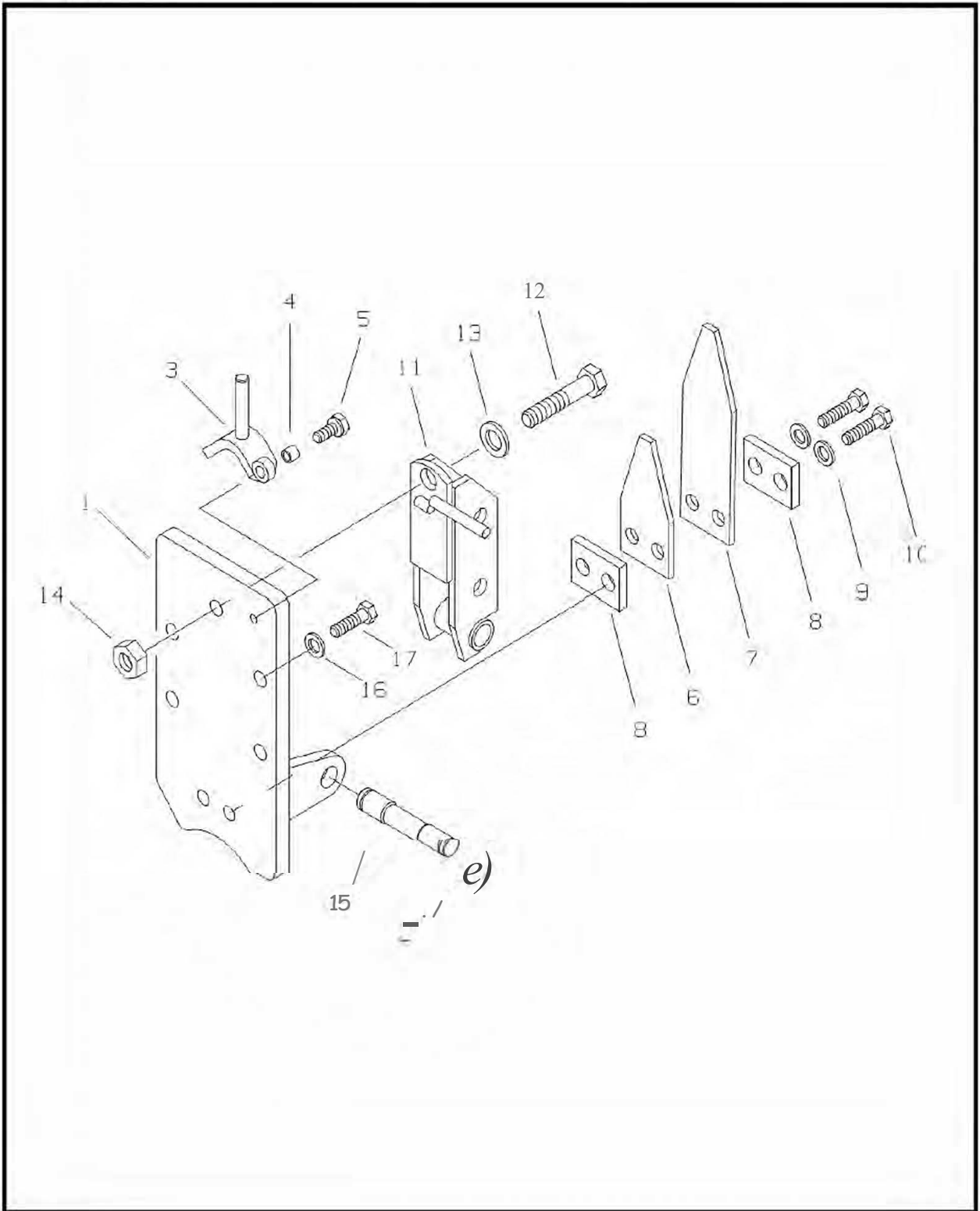
SUB VALVE(827)

FIG. 8-9

KEY NO.	PART NO.	PART NAME & DESCRIPTION		MODEL & QTY		APPLI. NO.	REMARK
				330HT	360HT		
1	A1827219	BRACKET, VALVE		1	1		
2	A1827190	VALVE, REMOTE CON.	SD5-1	1	1		
3	S153086033	BOLT, HEX	M8x1.25x60	3	3		
4	A1970242	GRIP, VALVE LEVER		1	1		
5	A1827144	LEVER(1), VALVE		1	1		
6	S101102543	BOLT, HEX. SMALL	M10x<1.5x25L	1	1		
7	S305100013	NUT, HEX	M10x<1.5	1	1		
8	A1630201	BOLT, UNION	PF3/8"	3	3		
9	A1823245	SEAL, BONDED	φ16.8xφ24x1t	9	9		
10	A1827151	BOLT, UNION	PF3/8"	1	1		
11	A1827195	PIPE, AUX. SID		1	1		
12	A1823157	BOLT, UNION	PF3/8	3	5		
13	A1823158	WASHER, COPPER	D24xD16.8x1t	2	2		
14	A1827184	REDUCER		1	1		
15	A1827163	PIPE, R/CONTROL 1ST(U)		1	1		
16	A1827194	PIPE, R/CONTROL 1ST(D)	φ18xφ12 2X1 T	1	1		
17	S301080013	NUT, HEX 1TY	M8x1.25	1	1		
18	s364080013	WASHER,PLN	D17XD8.4X1.0T	2	2		
19	A1827177	QUICK COUPLER	PS1/2	2	2		
20	A1827150	PIPE, AUX.DRAIN	φ12X1.2T	1	1		
21	S159082033	BOLT, HEX W/WASHER	M8x1.25x20	1	1		
22	A1970259	KNOB		1	1		
23-28	A1826078	FLOW, REGULATOR		1	1		
23	A1826081	NUT,HEX	M18x1.5	1	1		
24	A1826080	SCREEW, ADJUST		1	1		
25	S801006020	O-RING	φ5.8x1.9	1	1		
26	A1826079	BODY, REGULATOR		1	1		
27	S801014020	O-RING	φ13.8x2.4	1	1		
28	S801010020	O-RING	φ9.8x1.9	1	1		
29	A20063480	BALL, STEEL	3/8" TAB16306	1	1		
30	A1826058	SPRING	φ8.6xφ1.4	1	1		

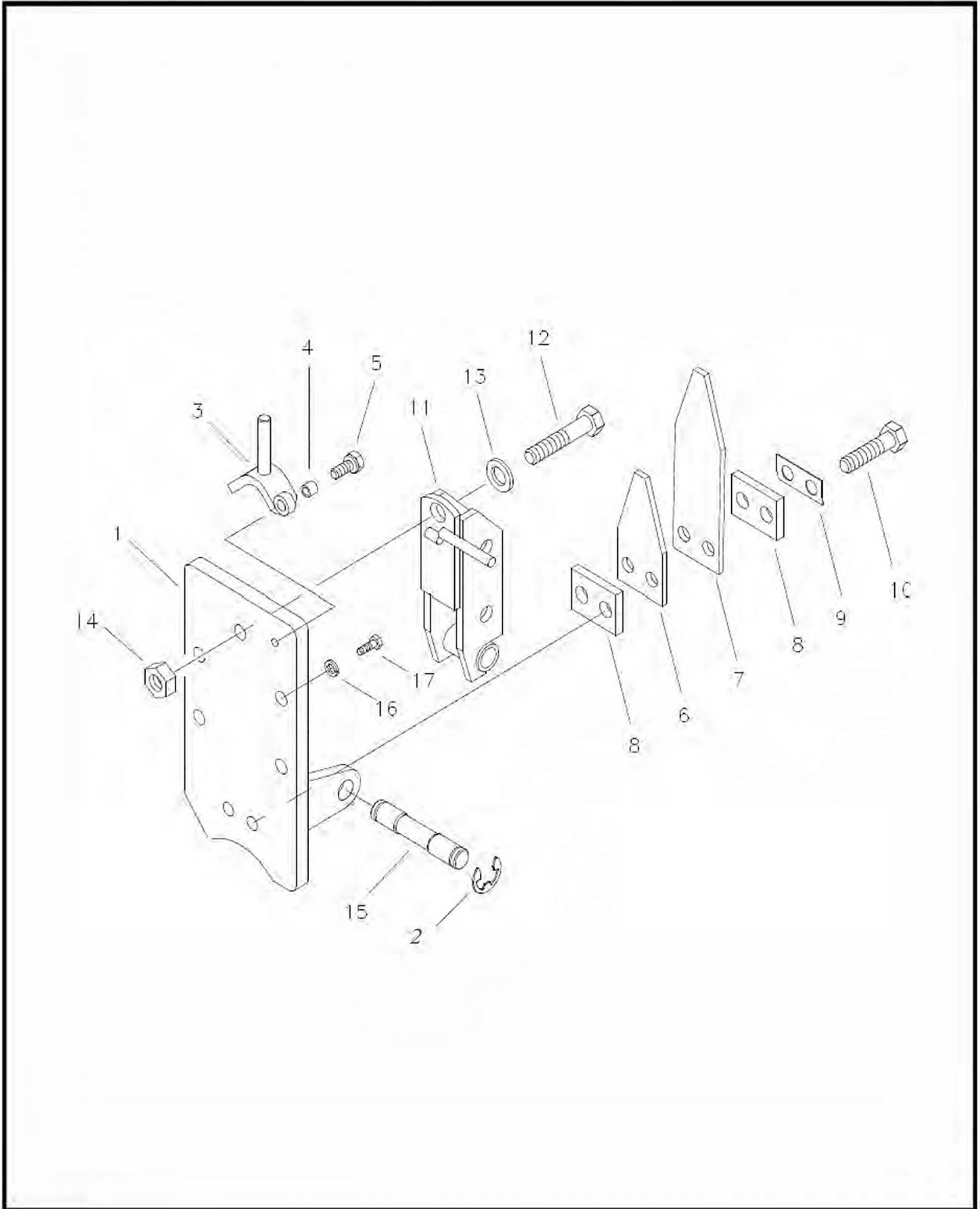
TOP LINK BRACKET(828)

FIG. 8-10



TOP LINK BRACKET(828)

FIG. 8-10



TOP LINK BRACKET(828)

FIG. 8-10

KEY NO.	PART NO.	PART NAME & DESCRIPTION		MODEL & QTY		APPLI. NO.	REMARK
				330HT	360HT		
1-15	A1828055	TOP LINK BRACKET ASSY		1	1		
1	A1828034	UPPER LINK BRACKET		1	1		
2	S814015003	RING.SNAP		2	2		
3	3A1828010	STOPPER		1	1		
4	3A1828014	COLLAR		1	1		
5	S155082533	BOLT, HEX	M8x1.0x25	1	1		
6	3A1828021	SPRING, LEAF		1	1		
7	3A1828022	SPRING, LEAF		1	1		
8	A1828057	PLATE		2	2		
9	S361140013	WASHER, SPR.		2	2		
10	S107144543	BOLT, HEX	M14x1.5x45	2	2		
11	A1828030	BRACKET		1	1		
12	S103167043	BOLT, HEX	M16x1.5x70	1	1		
13	S364160053	WASHER	016	1	1		
14	S314160013	NUT, HEX	M16x1.5	1	1		
15	3A1828025	PIN	020	1	1		
16	S361140013	WASHER		4	4		
17	S101143543	BOLT, HEX	M14x2.0x35	4	4		

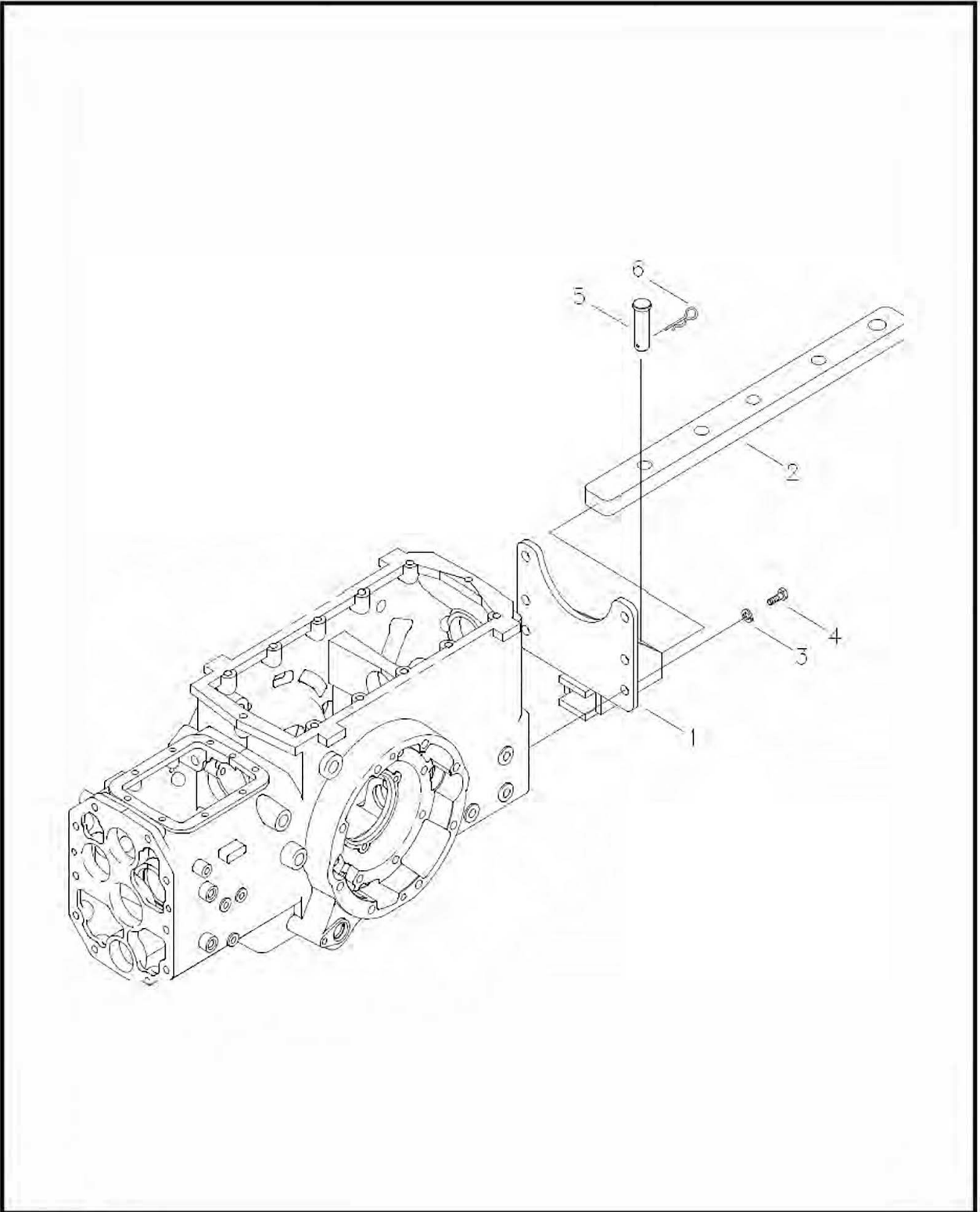
TOP LINK BRACKET(828)

FIG. 8-10

KEY NO.	PART NO.	PART NAME & DESCRIPTION		MODEL & QTY		APPLI. NO.	REMARK
				330HT	360HT		
1-15	A1828033	BRACKET, TOP LINK		1	1		
1	A1828034	BRACKET		1	1		
2	S814015003	RING,SNAP		2	2		
3	3A1828010	STOP		1	1		
4	3A1828014	COLLAR		1	1		
5	S155082533	BOLT, HEX	M8x1.0	1	1		
6	3A1828021	SPRING, LEAF		1	1		
7	3A1828022	SPRING, LEAF		1	1		
8	3A1828023	PLATE		2	2		
9	3A1828024	PLATE, LOCK		1	1		
10	S107144543	BOLT, HEX	M14x1.5x45	2	2		
11	A1828035	BRACKET		1	1		
12	S103167043	BOLT, HEX	M16x1.5x70	1	1		
13	S364160053	WASHER	C16	1	1		
14	S314160013	NUT, HEX	M16x1.5	1	1		
15	3A1828025	PIN	C20	1	1		
16	S361140013	WASHER, SPRING		4	4		
17	S101143543	BOLT, HEX	M14x2x35	4	4		

DRAWBAR HITCH(891)

FIG. 8-11A



DRAWBAR HITCH(891)

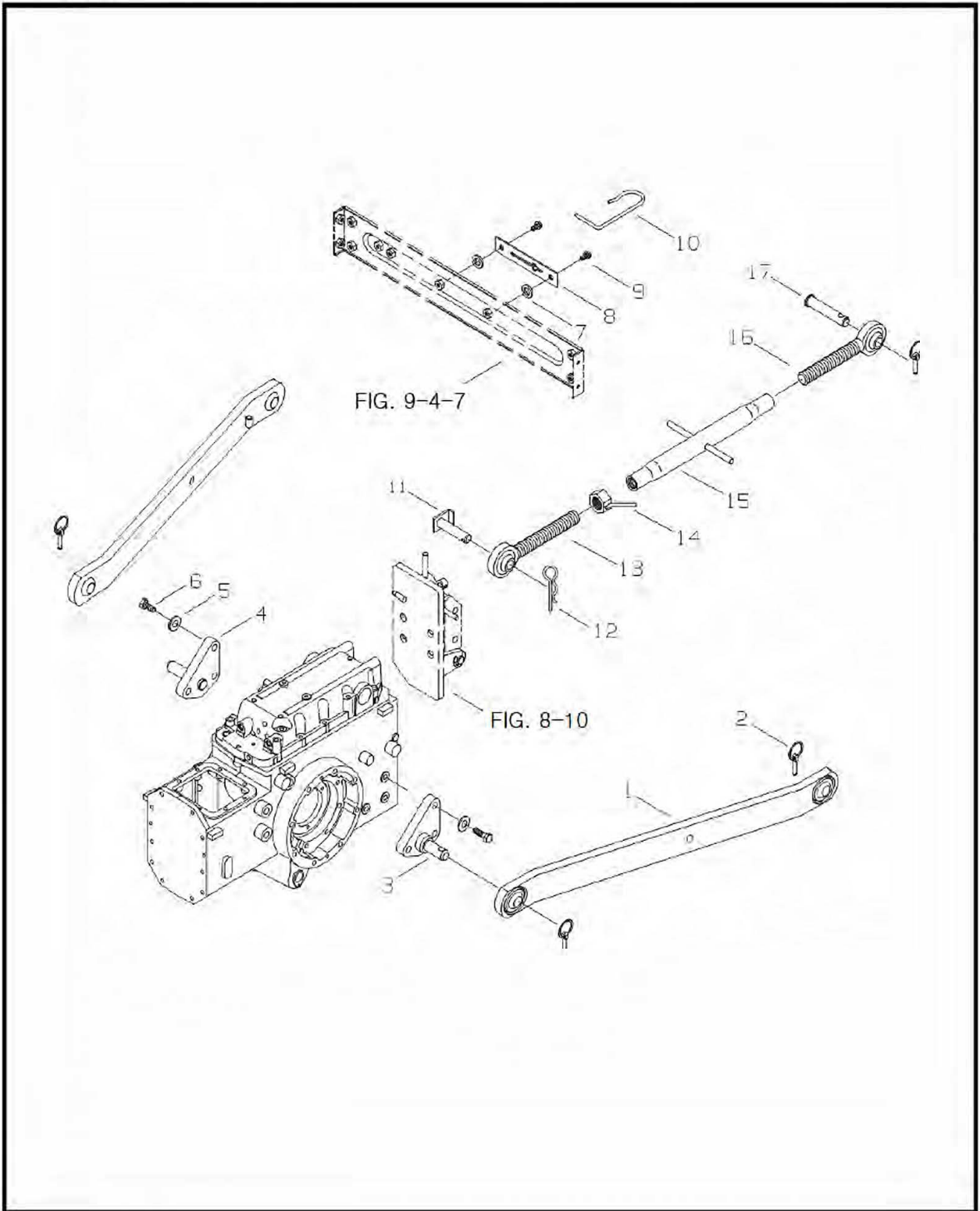
FIG. 8-11 A

(TELESCOPIC DRAWBAR)

KEY NO.	PART NO.	PART NAME & DESCRIPTION		MODEL & QTY		APPLI. NO.	REMARK
				330HT	360HT		
1	A1891049	SUPPORT, HITCH		1	1		
2	A1891050	DRAWBAR (ASAE)		1	1		
3	S361140013	WASHER, SPRING	◁▷14.2>◁▷24.5x3.5t	6	6		
4	S101144043	BOLT, HEX	M14X2><4DL	6	6		
5	A1891033	PIN, CLEVIS	◁▷25X77	1	1		
6	3A1970091	PIN,SNAP	◁▷28	1	1		

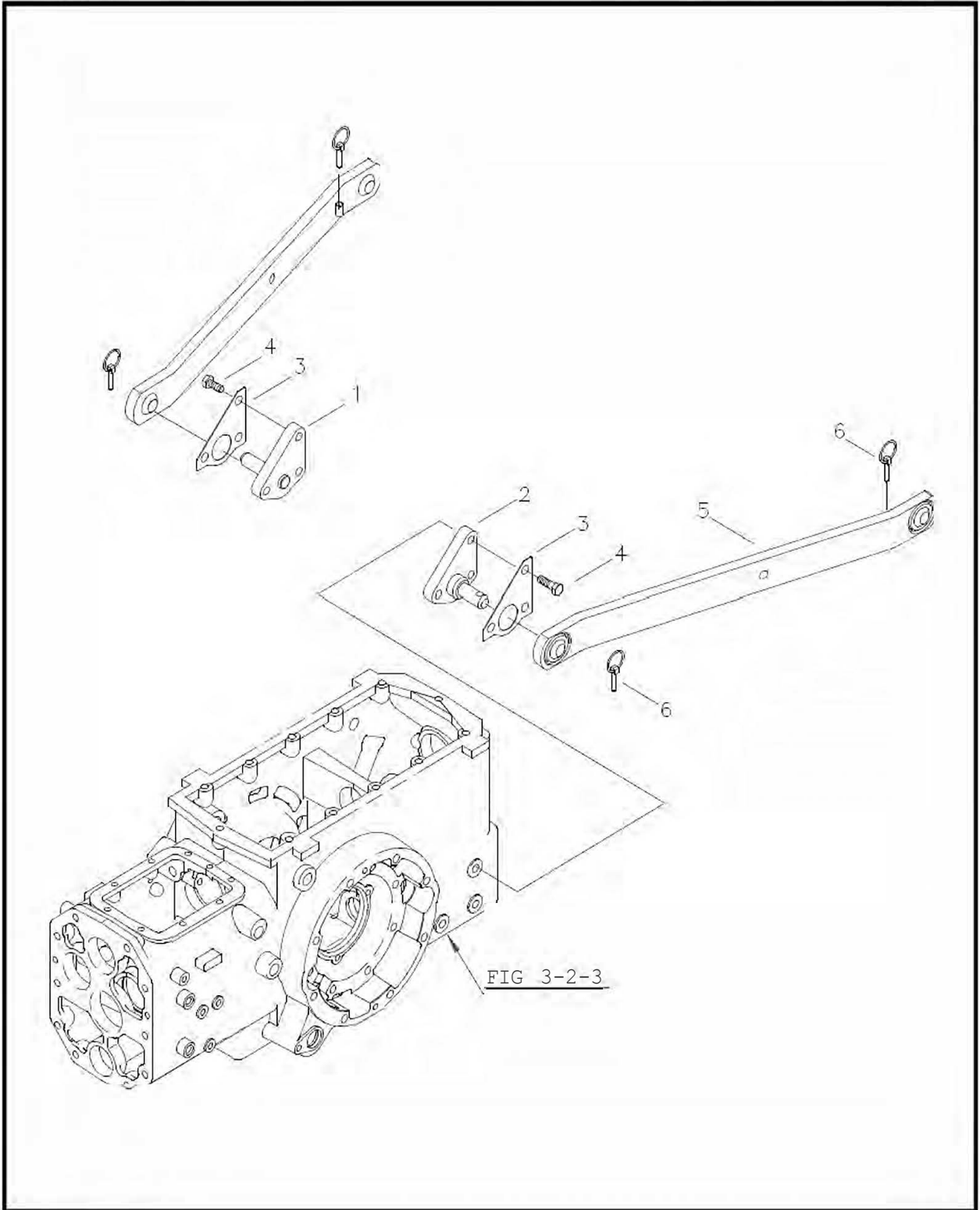
3- POINT LINKAGE- TOP LINK(896)

FIG. 8-13



3- POINT LINKAGE- TOP LINK(896)

FIG. 8-13



3- POINT LINKAGE- TOP LINK(896)

FIG. 8-13

KEY NO.	PART NO.	PART NAME & DESCRIPTION		MODEL & QTY		APPLI. NO.	REMARK
				330HT	360HT		
1	A1896320	LOW LINK ASSY		2	2		
2	3A1896081	PIN, LINK		5	5		
3	A1896187	PIN, LOW LINK(LH)	D22	1	1		
4	A1896188	PIN, LOW LINK(RH)	D22	1	1		
5	S361140013	WASHER, SPR	D24.5xD14.2x3.5	6	6		
6	A1896473	BOLT, HEX	M14x2x4D	6	6		
7	A1830277	SPACER, GRILL		2	2		
8	A1896519	BRACKET, HOOK		1	1		
9	S159081633	BOLT, HEX	M8x1.25x16	2	2		
10	A1896336	HOOK, UPPER LINK		1	1		
11	A1896189	PIN, UPPER LINK(F)	019	1	1		
12	3A1970091	PIN, SNAP	019	1	1		
13-16	3A1896002	UPPER LINK ASSY	470-750	1	1		
13	3A1896006	END, UPPER LINK(F)	M24x3	1	1		
14	3A1970092	NUT, LOCK	M24x3	1	1		
15	2A1896003	TURN BUCKLE	M24x3	1	1		
16	3A1896007	END, UPPER LINK(R)	M24x3(CAT 1)	1	1		
17	3A1896013	PIN, UPPER LINK(R)	019	1	1		

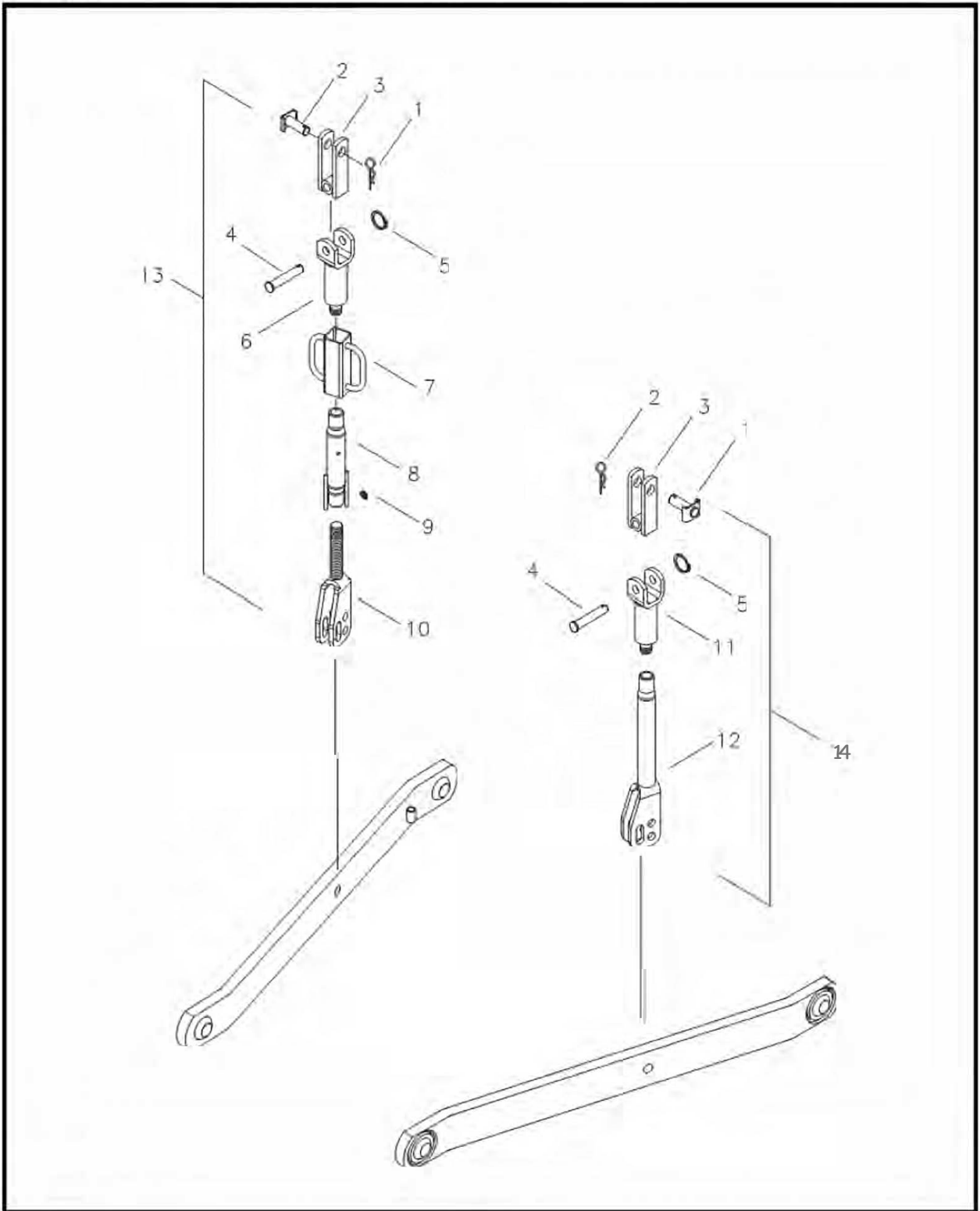
3- POINT LINKAGE- TOP LINK(896)

FIG. 8-13

KEY NO.	PART NO.	PART NAME & DESCRIPTION		MODEL & QTY		APPLI. NO.	REMARK
				330HT	360HT		
1	A1896188	PIN, LOW LINK(RH)}	∅22	1	1		
2	A1896187	PIN, LOW LINK(LH)}	∅22	1	1		
3	A1891020	PLATE, LOCK		2	2		
4	A1896473	BOLT, HEX	M14x2x40L	6	6		
5	A1896320	LOW LINK ASSY		2	2		
6	3A1896081	PIN, CLEVIS		4	4		

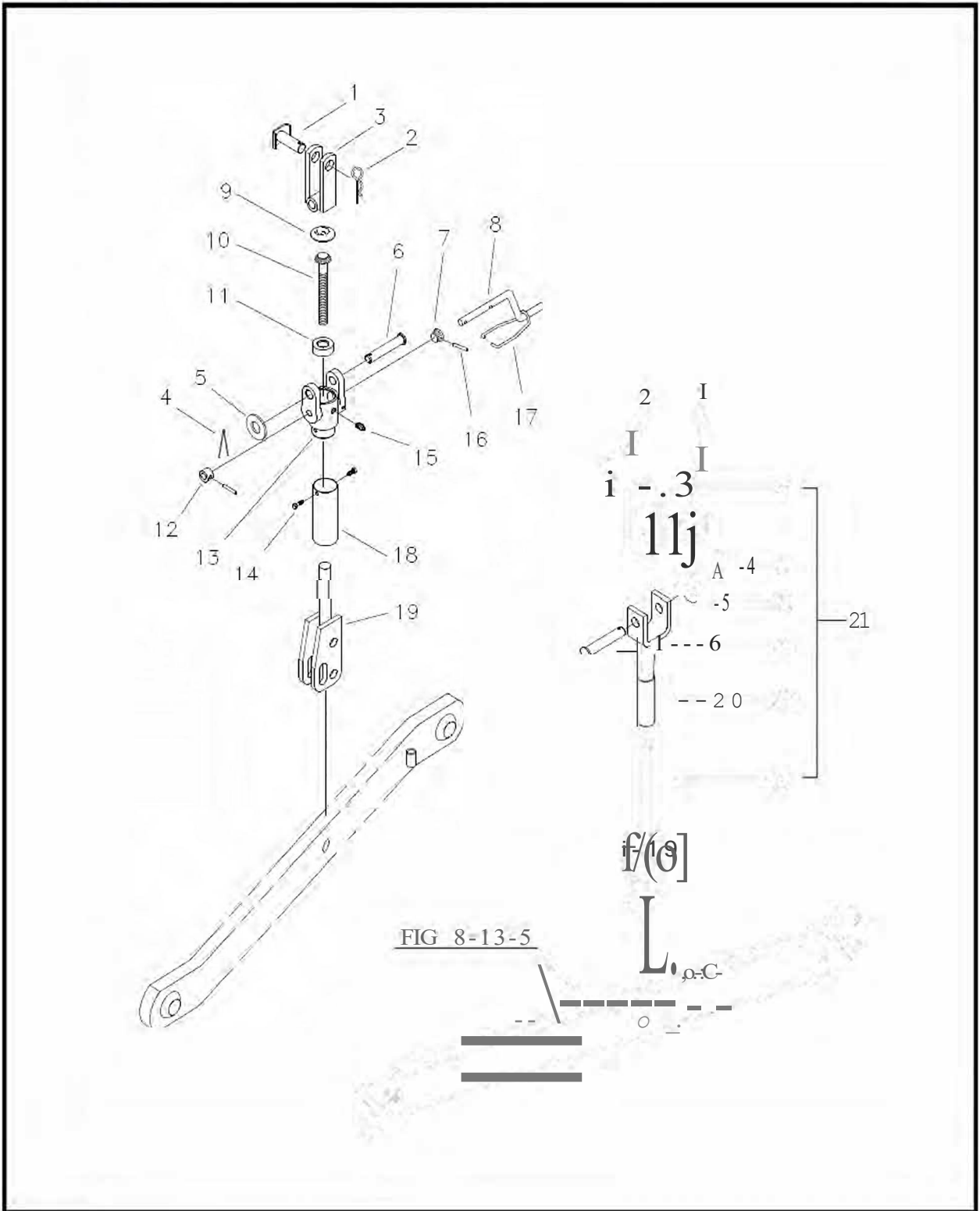
3- POINT LINKAGE- LIFT ROD(896)

FIG. 8-14



3- POINT LINKAGE- LIFT ROD(896)

FIG. 8-14



3- POINT LINKAGE- LIFT ROD(896)

FIG. 8-14

KEY NO.	PART NO.	PART NAME & DESCRIPTION		MODEL & QTY		APPLI. NO.	REMARK
				330HT	360HT		
1	A1896530	PIN, LIFT ROD	4-19	2	2		
2	3A1970091	PIN, SNAP		2	2		
3	A1896087	JOINT, LIFT ROD		2	2		
4	A1896593	PIN, LIFT ROD	4-16	2	2		
5	S810016003	RING.SNAP		2	2		
6	A1896524	ROD, UPPER LIFT		1	1		
7	A1896527	HANDLE		1	1		
8	A1896526	SLEEVE, LIFT ROD		1	1		
9	A0730009	NIPPLE, GREASE	PT1/8	1	1		
10	A1896525	ROD, LOWER LIFT		1	1		
11	A1896524	ROD, UPPER LIFT		1	1		
12	A1896529	ROD, LOWER LIFT		1	1		
13	A1896523	LIFT ROD ASSY(RH)		1	1		
14	A1896528	LIFT ROD ASSY(LH)		1	1		

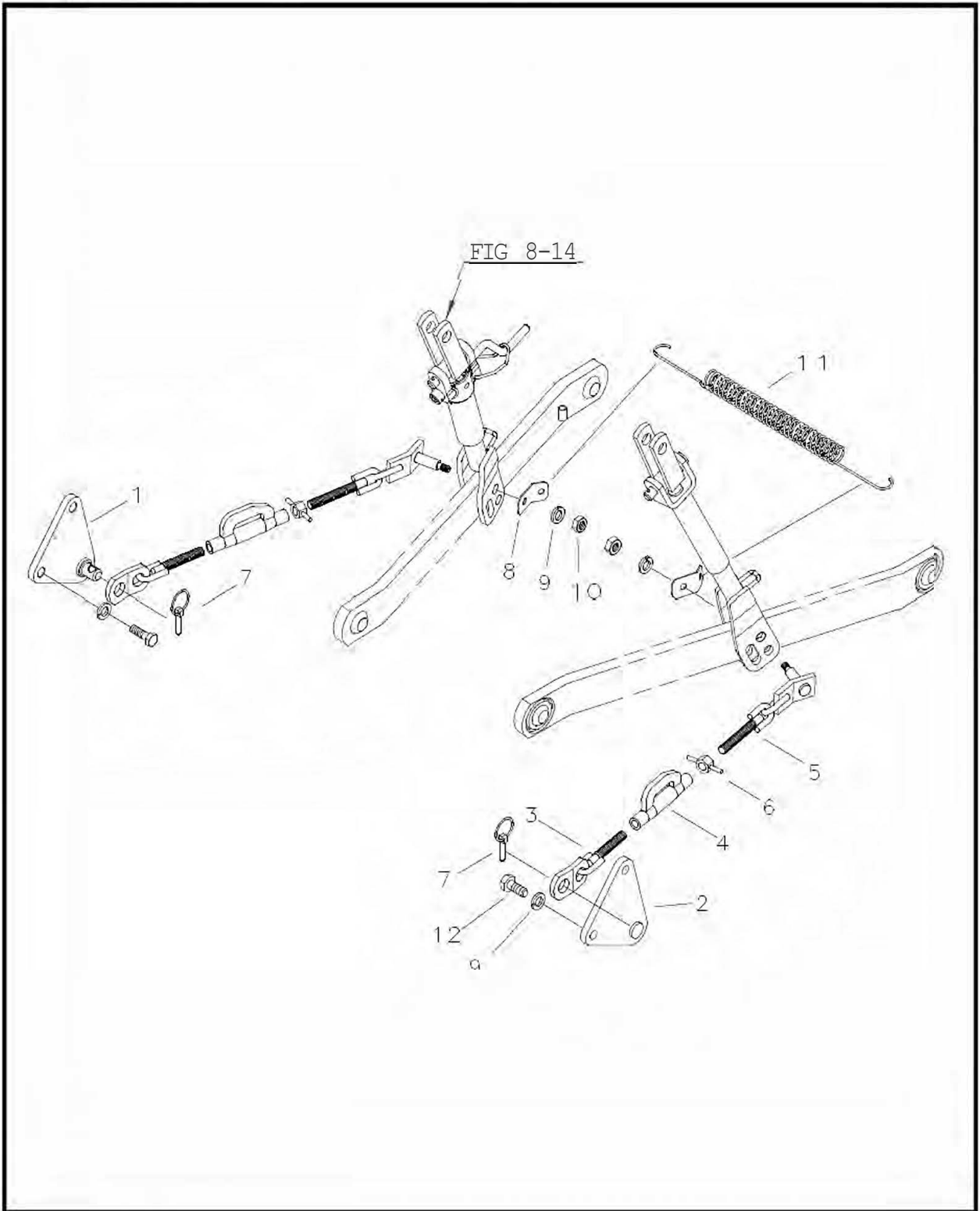
3- POINT LINKAGE- LIFT ROD(896)

FIG. 8-14

KEY NO.	PART NO.	PART NAME & DESCRIPTION		MODEL & QTY		APPLI. NO.	REMARK
				330HT	360HT		
1	3A1896058	PIN, LIFT ROD	4-19	2	2		
2	3A1970091	PIN,HAIR		2	2		
3-19	A1896203	LIFT ROD ASSY(RH)	430-540	1	1		
3	3A1896035	JOINT, LIFT ROD		2	2		
4	S441403613	PIN,COTTER	4-3.7x36	2	2		
5	S363160013	WASHER, PLAIN	4-17x3t	2	2		
6	3A1896038	PIN, CLEVIS	4-16	2	2		
7	3A1896049	GEAR, PINION		1	1		
8	3A1896048	HANDLE		1	1		
9	3A1970095	PLUG, EXPANSION		1	1		
10	A1896206	GEAR, LIFT ROD		1	1		
11	A1896208	BEARING, THRUST	51204	1	1		
12	3A1896050	COLLAR		1	1		
13	A1896207	CASE,GEAR		1	1		
14	S151061233	BOLT, HEX	M6x1.0	2	2		
15	3A1970069	NIPPLE, GREASE	PT1/8"	1	1		
16	S446062212	PIN,SPRING	4-6x22	2	2		
17	3A1896051	PIN, HANDLE STOP		1	1		
18	A1896209	COVER		1	1		
19	A1896204	ROD, LOWER LIFT		2	2		
20	A1896205	ROD, UPPER LIFT		1	1		
21	A1896202	LIFT ROD ASSY(LH)		1	1		

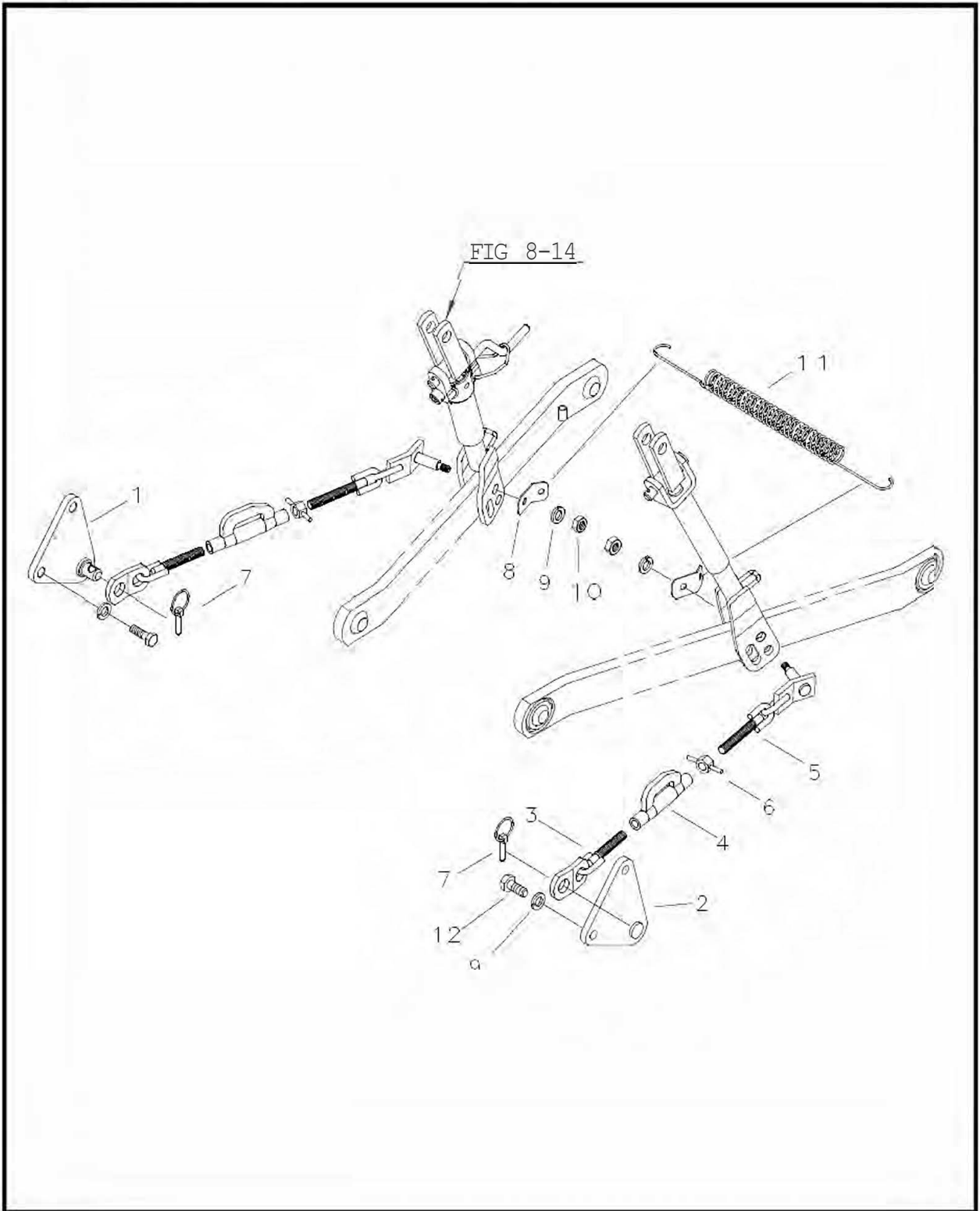
3- POINT LINKAGE- CHECK LINK(896)

FIG. 8-15



3- POINT LINKAGE- CHECK LINK(896)

FIG. 8-15



3- POINT LINKAGE- CHECK LINK(896)

FIG. 8-15

KEY NO.	PART NO.	PART NAME & DESCRIPTION		MODEL & QTY		APPLI. NO.	REMARK
				330HT	360HT		
1	A1896321	BRACKET, C/CHAIN(R)		1	1		
2	A1896322	BRACKET, C/CHAIN(L)		1	1		
3-6	A1896471	CHECK CHAIN ASSY	343-441	2	2		
3	A1896589	CHAIN(F)		2	2		
4	A1896597	TURN BUCKLE		2	2		
5	A1896536	CHAIN(R)		2	2		
6	S301160013	NUT, LOCK	M16X2.0	2	2		
7	3A1896081	PIN, LINK		2	2		
8	A1896333	BRACKET, SPRING		2	2		
9	S361140013	WASHER, SPRING	tl>24.5Xφ14.2X3.E	6	6		
10	S314140013	NUT, HEX	M14<<1.25	2	2		
11	A1896539	SPRING, LOWER LINK		1	1		
12	S101143543	BOLT, HEX	M14<<2.0x35	4	4		

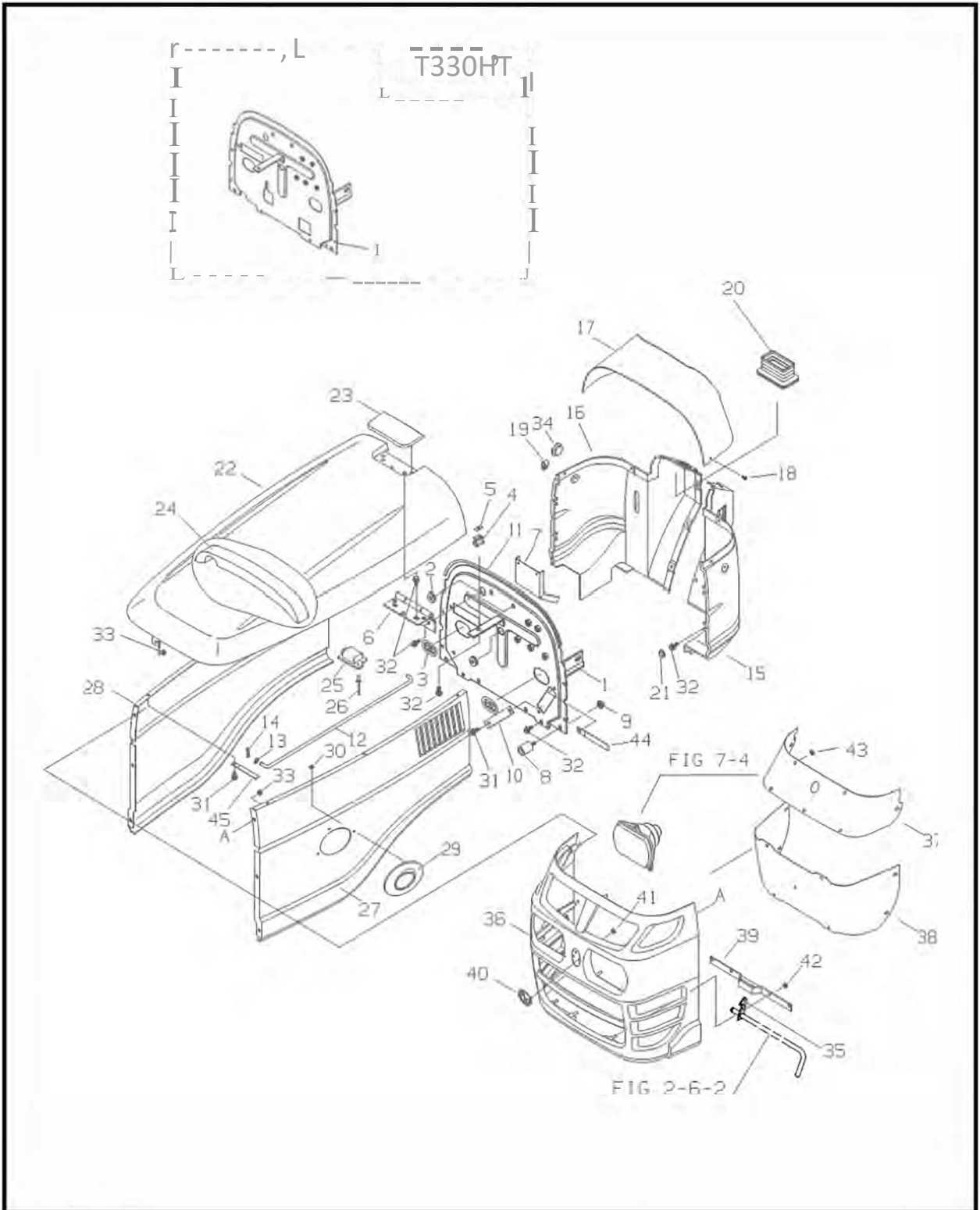
3- POINT LINKAGE- CHECK LINK(896)

FIG. 8-15

KEY NO.	PART NO.	PART NAME & DESCRIPTION		MODEL & QTY		APPLI. NO.	REMARK
				330HT	360HT		
1	A1896321	BRACKET, C/CHAIN(R)		1	1		
2	A1896322	BRACKET, C/CHAIN(L)		1	1		
3-6	A1896345	CHECK CHAIN ASSY	370-476	2	2		
3	A1896346	CHAIN(F)		2	2		
4	A1896348	TURN BUCKLE		2	2		
5	A1896347	CHAIN(R)		2	2		
6	A1896349	NUT, LOCK	M14x<1.5(LH)	2	2		
7	3A1896081	PIN,CLEVIS		2	2		
8	A1896333	BRACKET, SPRING		2	2		
9	S361140013	WASHER, SPRING	∅14.2x∅24.5x3.5t	6	6		
10	S314140013	NUT, HEX	M14x<1.25	2	2		
11	A1896067	SPRING, LOWER LINK		1	1		
12	S101143543	BOLT, HEX	M14x2.0x35L	4	4		

H00D(830)

FIG. 9-1 B



HOOD(830)

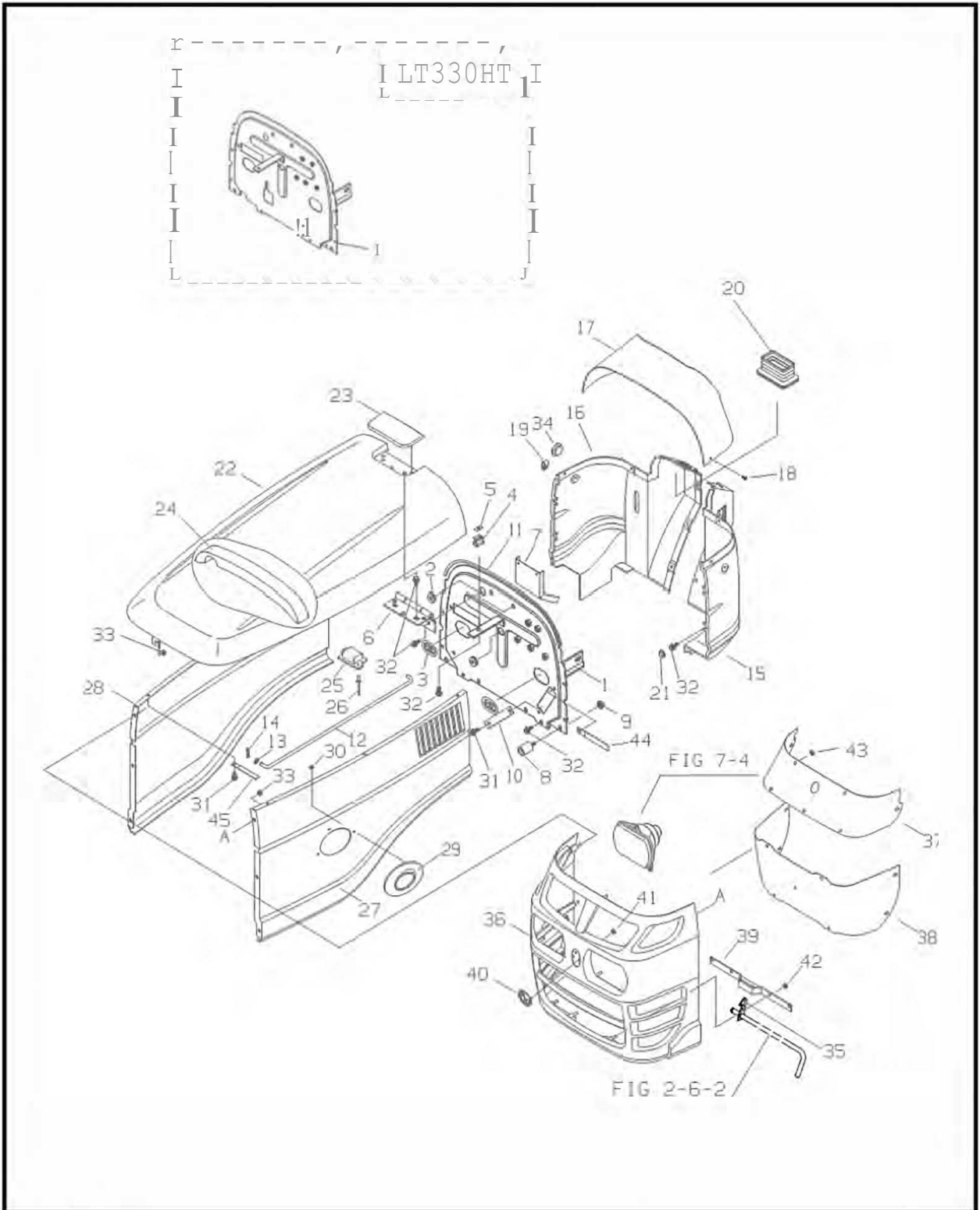
FIG. 9-1 B

AG

KEY NO.	PART NO.	PART NAME & DESCRIPTION	MODEL & QTY		APPLI. NO.	REMARK
			330HT	360HT		
1	A1830306	PLATE,HEATINTERCEPT	•	1		
	A1830451	PLATE,HEATINTERCEPT	1	•		
2	A0720034	GROMMET	2	2		
3	A1970210	GROMMET	2	2		
4	A0690218	SPRING	1	1		
5	A7200107	BRACKET, SPRING	1	1		
6	A1830258	HINGE	1	1		
7	A1830484	BRACKET, HINGE	1	1		
8	A1830288	STOPPER,RUBBER	2	2		
9	S345080013	NUT, FLANGE B-TY	M8x1.25	2	2	
10	A1830307	COVER	•	1		
11	A1970269	WEATHER STRIP	1	1		
12	A1830284	ROD, UPPER COVER	1	1		
13	S363080013	WASHER, PLN. S-RD	\$8.4x15.5x1 .6t	1	1	
14	S443080013	PIN, SNAP A-TY	\$8x27.7	1	1	
15	A1830440	PANEL, BODY(LH)	1	1		
16	A1830441	PANEL, BODY(RH)	1	1		
17	A1830220	PANEL, BODY(UPPER)	1	1		
18	A1830417	SCREW, TP. CRS, CSNK.	9	9		
19	A1970279	PLATE, LOCK	7	7		
20	A1830252	COVER, STEERING	1	1		
21	A1830283	CAP, BOLT	4	4		
22	A1830605	HOOD, BONNET	GREEN	1	1	
23	A1830257	COVER, HINGE	1	1		
24	A1830289	SEAL, RADIATOR AIR	1	1		
25	A1830286	STOPPER,H/SUPPORT	1	1		
26	S466321010	RIVET, BLIND	\$3.2x10L	2	2	
27	A1830598	COVER, SIDE(LH)	GREEN	1	1	
28	A1830599	COVER, SIDE(RH)	GREEN	1	1	
29	A1830292	COVER, EXHAUST	1	1		
30	S345050013	NUT, FLANGE B-TY	M5x0.8	3	3	
31	S159061633	SOLT, HEX. W/WASHER	M6x1.0x16L	6	8	
32	S159082033	BOLT,HEX.W/WASHER	M8x1 .25x20L	11	11	
33	S345060013	NUT, FLANGE B-TY	M6x1.0	7	7	
34	A1970303	CAP.RUBBER	2	2		
35	A1970304	BAND, RUBBER	1	1		
36	A1830602	GRILLE ASSY	GREEN	1	1	
36	A1830603	GRILILE	GREEN	1	1	
37	A1830407	NET, GRILLE(UPPER)	1	1		
38	A1830408	NET, GRILLE(LOWER)	1	1		

H00D(830)

FIG. 9-1 B



H00D(830)

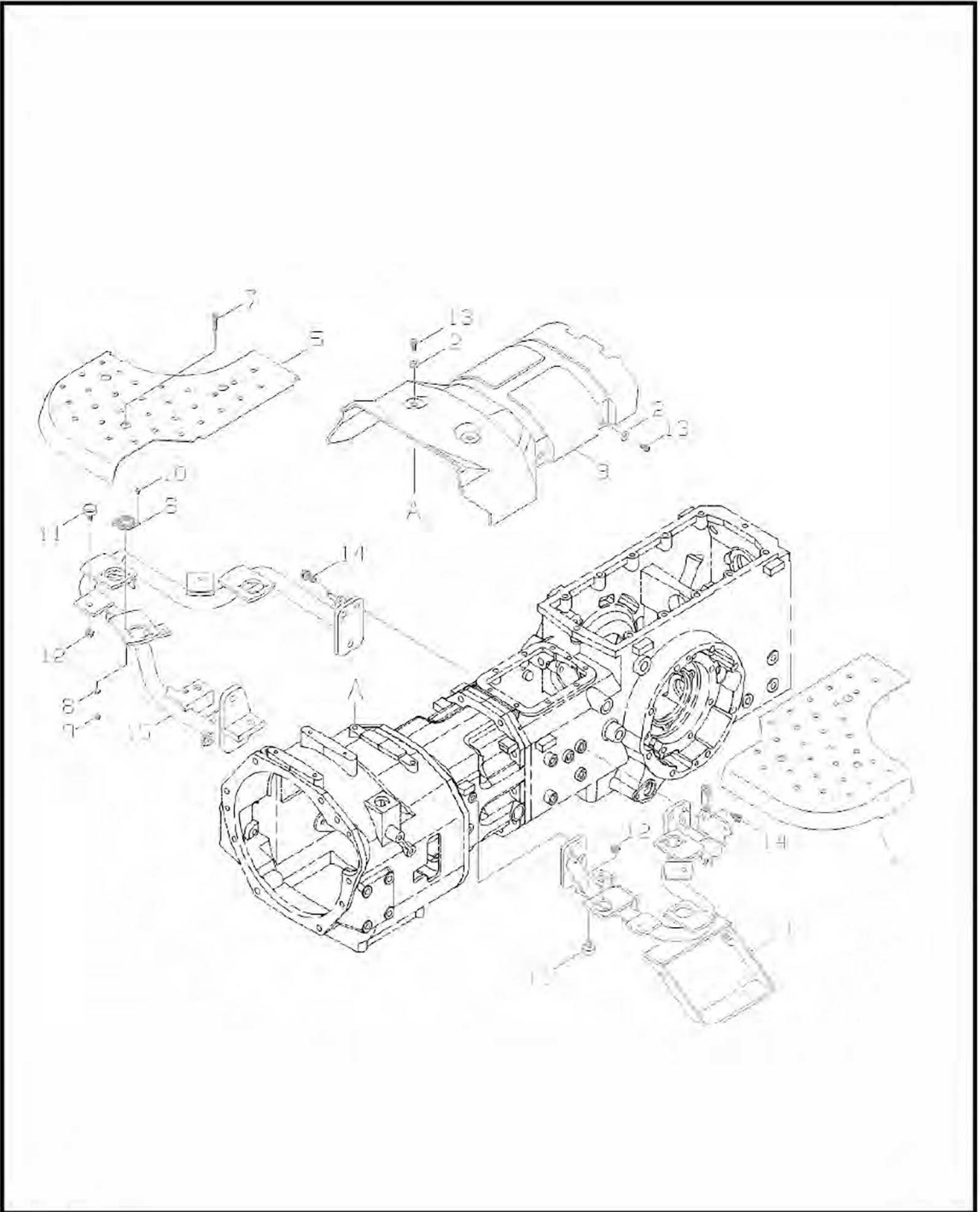
FIG. 9-1 B

AG

KEY NO.	PART NO.	PART NAME & DESCRIPTION		MODEL & QTY		APPLI. NO.	REMARK
				330HT	360HT		
39	A1830421	HANGER		1	1		
40	A5002129	MARK, SYMBOL		1	1		
41	A0760137	NUT, SPEED		2	2		
42	A1970309	NUT, LOCK	M6x1.0	4	4		
43	A1970340	NUT,SPEED		16	16		
44	A0640103	CLAMP, RING		1	1		
45	A0640015	CLAMP, RING		3	3		

STEP(840)

FIG. 9-2B



STEP(840)

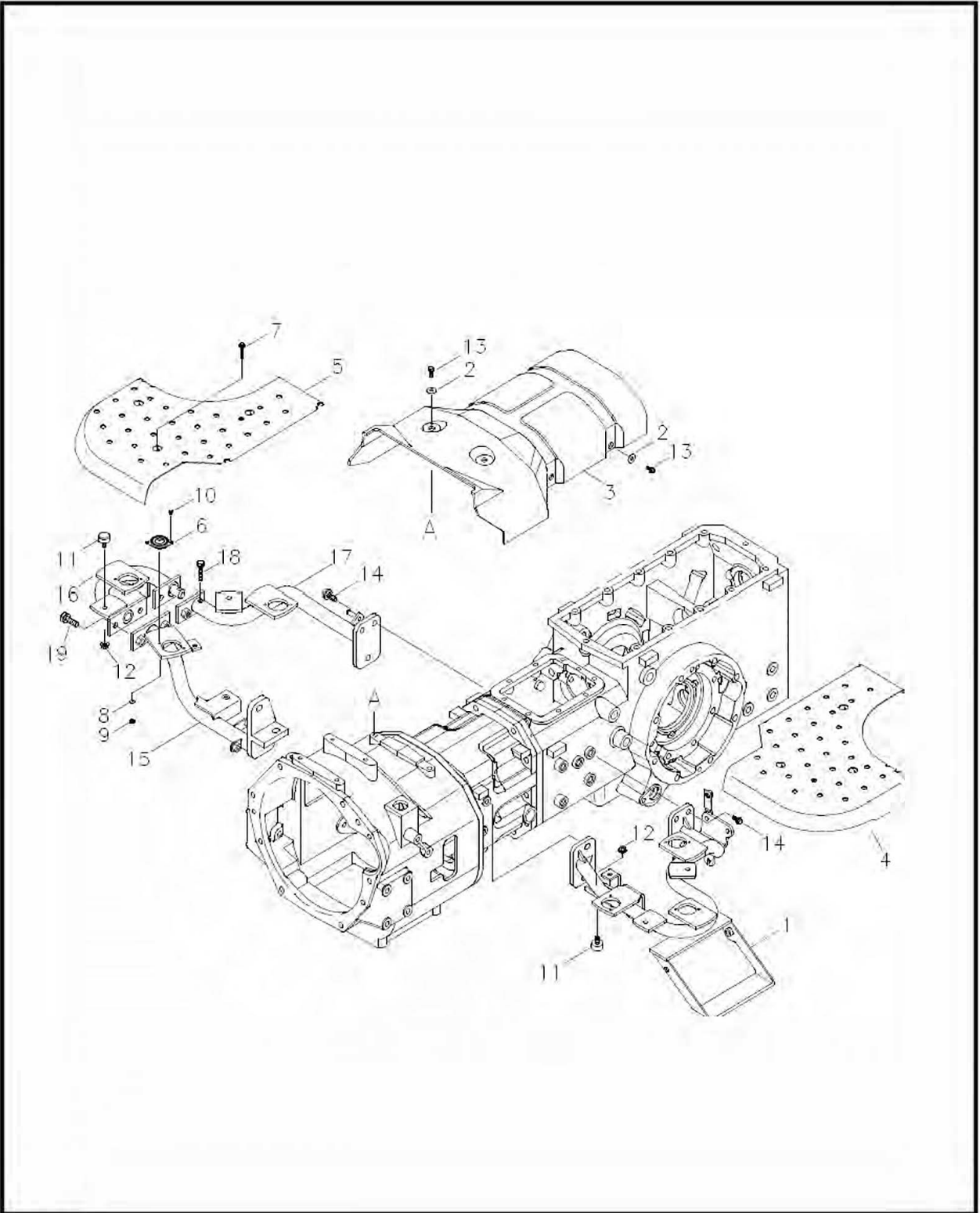
FIG. 9-28

AG

KEY NO.	PART NO.	PART NAME & DESCRIPTION		MODEL & QTY		APPLI. NO.	REMARK
				330HT	360HT		
1	A1840159	SUPPORT, STEP(LH)		1	1		
2	S365102613	WASHER, PLN	$\phi 10.5 \times 1.26 \times 2.5t$	6	6		
3	A1840266	COVER, HST HOUSING	GREEN	1	1		
4	A1840267	STEP, LH	GREEN	1	1		
5	A1840268	STEP, RH	GREEN	1	1		
6	A1970367	MOUNT, SILENT	LORD 1SODP-10	6	6		
7	S159063033	BOLT, HEX, W/WASHER	M6X1.0x30L	6	6		
8	S365062213	WASHER, PLAIN	$\phi 6.4 \times 1.22 \times 2.0t$	6	6		
9	S301060013	NUT, HEX. 2-TY	M6X1.0	6	6		
10	S227401611	SCREW, W/SP & PL. WASH.	M4X0.7	12	12		
11	A3260012	RUBBER		8	8		
12	S345080013	NUT, FLANGE	M8X1.25	8	8		
13	S154102033	BOLT, HEX, W/WASHER	M10X1.25x2DL	6	6		
14	S154102533	SOLT, HEX, WWASHER	M10X1.25	10	10		
15	A1840273	SUPPORT, STEP(RH)		1	1		

STEP(840)

FIG. 9-2B



STEP(840)

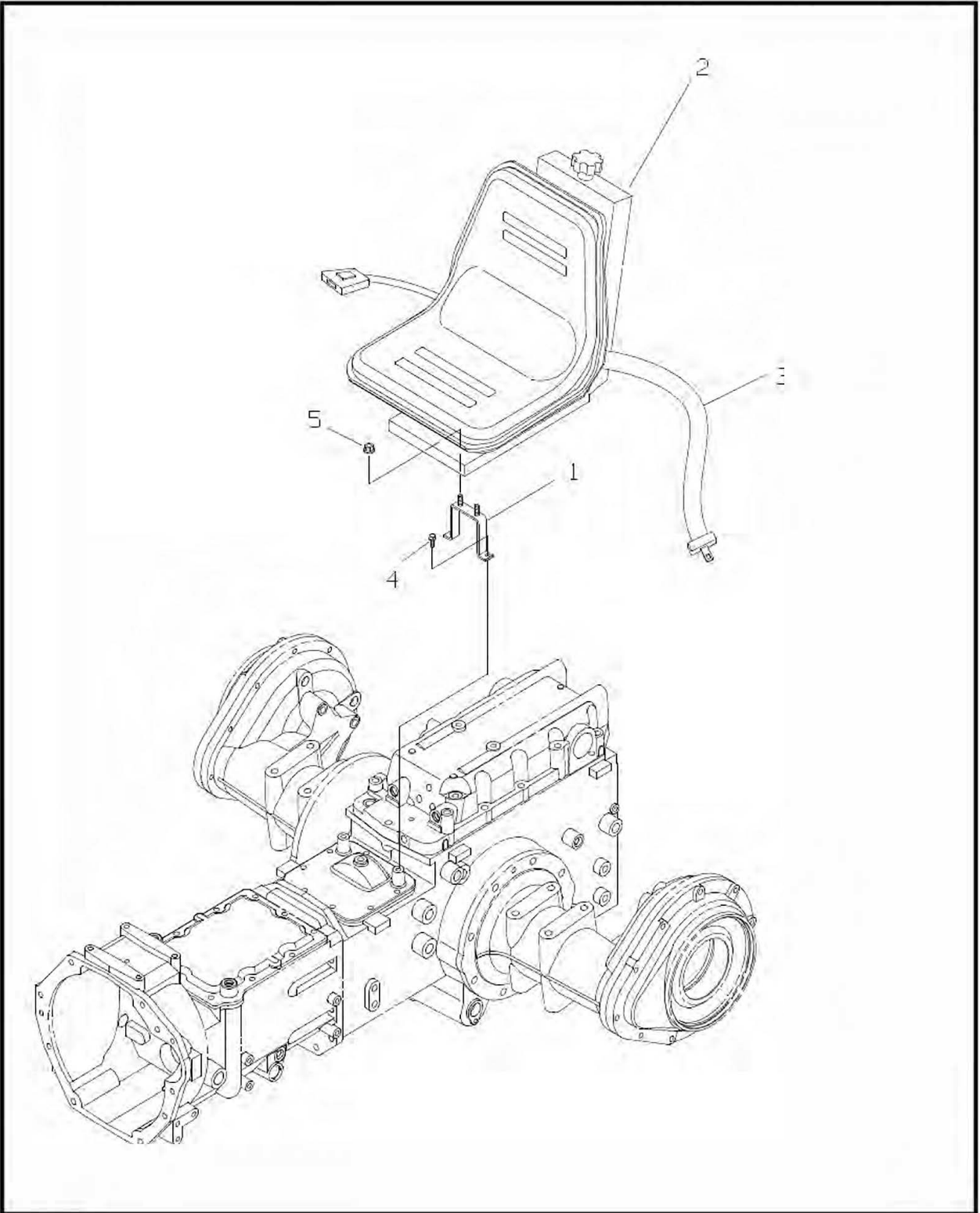
FIG. 9-28

AG

KEY NO.	PART NO.	PART NAME & DESCRIPTION		MODEL & QTY		APPLI. NO.	REMARK
				330HT	360HT		
1	A1840159	SUPPORT, STEP(LH)		1	1		
2	S365102613	WASHER, PLN	<P10.5x<P26x2.5t	6	6		
3	A1840266	COVER, HST HOUSING	GREEN	1	1		
4	A1840267	STEP, LH	GREEN	1	1		
5	A1840268	STEP, RH	GREEN	1	1		
6	A1970367	MOUNT, SILENT	LORD 150DP-10	6	6		
7	S159063033	SOLT, HEX, W/WASHER	M6X1.0x3DL	6	6		
8	S365062213	WASHER, PLAIN	<P6.4x<P22x2.0t	6	6		
9	S301060013	NUT, HEX. 2-TY	M6X1.0	6	6		
10	S227401611	SCREW, W/SP & PL. WASH.	M4X0.7	12	12		
11	A3260012	RUBBER		8	8		
12	S345080013	NUT, FLANGE	M8X1.25	8	8		
13	S154102033	BOLT, HEX, W/WASHER	M1DX1.25x20L	6	6		
14	S154102533	BOLT, HEX, W/WASHER	M10X1.25	10	10		
15-19	A1840182	SUPPORT, STEP(RH)		1	1		
15	A1840183	PIPE 1, STEP SUPPORT		1	1		
16	A1840184	PIPE 2, STEP SUPPORT		1	1		
17	A1840185	PIPE 3, STEP SUPPORT		1	1		
18	S153083543	BOLT, HEX	M8x1.25x35L	1	1		
19	S154103033	BOLT, HEX	M10x1.25x30L	3	3		

SEAT ASSY(850)

FIG. 9-3



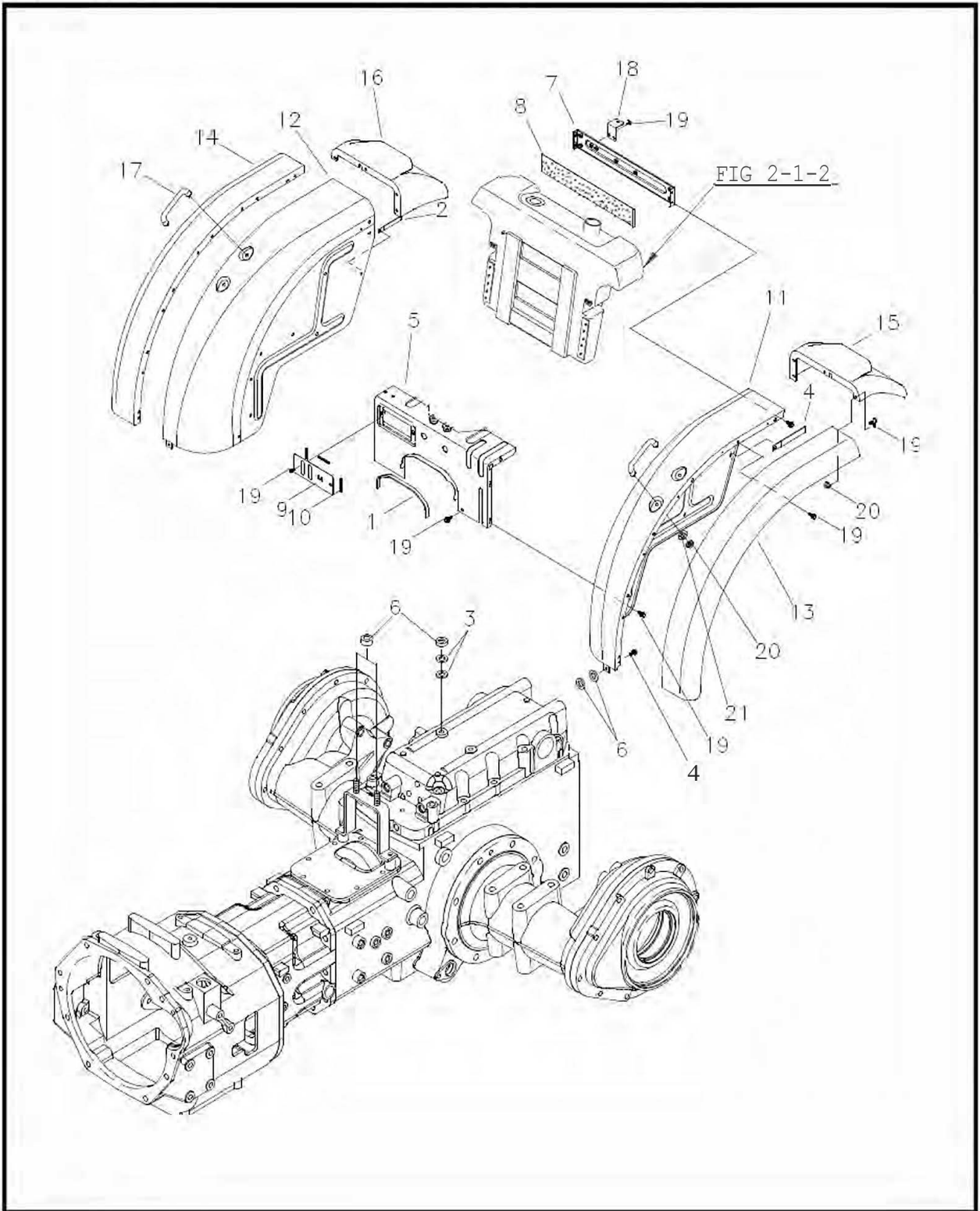
SEAT ASSY(850)

FIG. 9-3

KEY NO.	PART NO.	PART NAME & DESCRIPTION		MODEL & QTY		APPLI. NO.	REMARK
				330HT	360HT		
1	A1850078	BRACKET, SEAT		1	1		
2-3	A1850223	SEAT ASSY, W/BELT & SW		1	1		
2	A1850093	SEATASSY		1	1		
3	A1850094	SEAT BELT ASSY		1	1		
4	S156102533	SOLT, HEX. WWASHER	M10x1.25x25L	2	2		
5	S346100013	NUT, FLANGE 8-TY	M10x1.25	4	4		

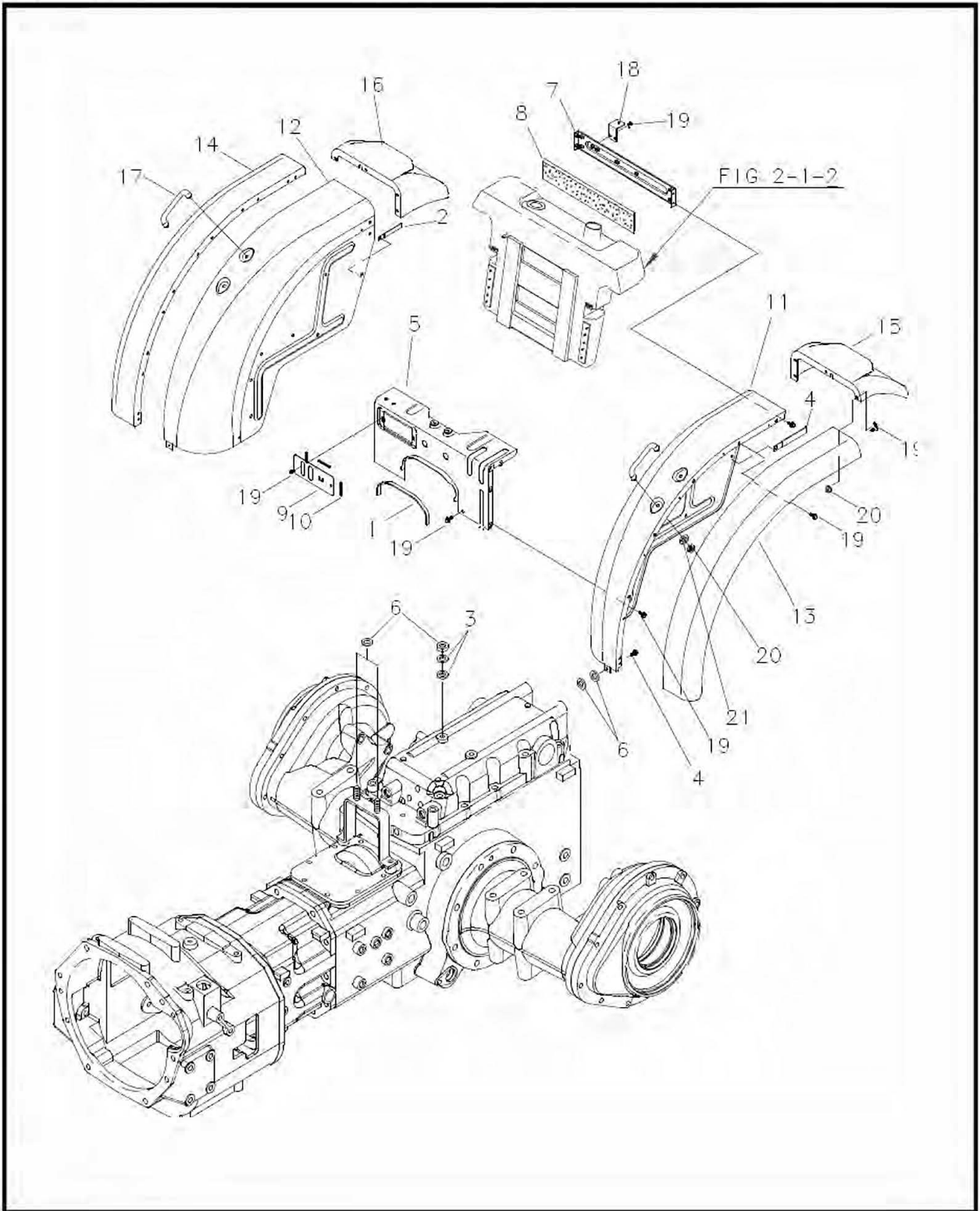
FENDER(870)

FIG. 9-4B



FENDER(870)

FIG. 9-4B



FENDER(870)

FIG. 9-48

AG

KEY NO.	PART NO.	PART NAME & DESCRIPTION		MODEL & QTY		APPLI. NO.	REMARK
				330HT	360HT		
1	A1970368	SPONGE, COVER		1	1		
2	A0640015	CLAMP, RING		2	2		
3	S365103213	WASHER, PLN. L-RD	<1>10.5X<4>32x3.ct	4	4		
4	S159082533	BOLT, HEX	M8x1 .25x25L	2	2		
5	A1870429	COVER, CENTER	GREEN	1	1		
6	A1840074	RUBBER, CUSHION		8	8		
7	A1870374	COVER, REAR		1	1		
8	A1870233	SPONGE		1	1		
9	A1870444	COVERASSY	GREEN	1	1		
10	A1870234	SPONGE		4	4		
11	A1870418	FENDER. LH	GREEN	1	1		
12	A1870419	FENDER. RH	GREEN	1	1		
13	A1870211	EXTENTION, FENDER(L)		1	1		
14	A1870212	EXTENTION, FENDER(R)		1	1		
15	A1870213	EXTENTION, REAR(LH)		1	1		
16	A1870214	EXTENTION, REAR(RH)		1	1		
17	3A1870006	RAIL, HAND		2	2		
18	A1870375	BRACKET, LIGHT		1	1		
19	S159082033	BOLT, HEXW/WASHER	M8X1.25	39	39		
20	S345080013	NUT, FLANGE B-TY	M8X1.25	6	6		
21	S365082613	WASHER, PLN. L-RD	φ>8.4X<4>26x2. St	4	4		

FENDER(870)

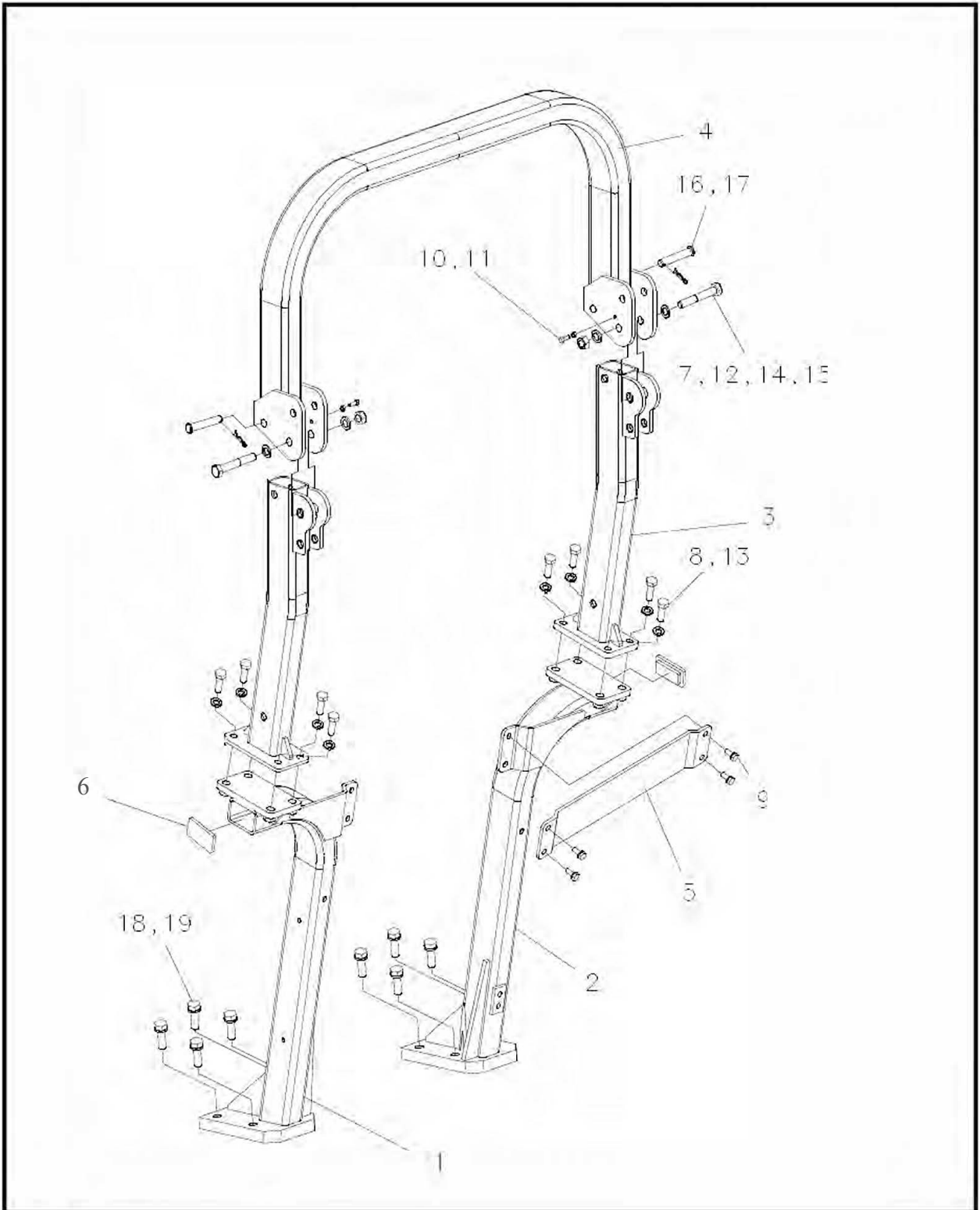
FIG. 9-48

AG

KEY NO.	PART NO.	PART NAME & DESCRIPTION		MODEL & QTY		APPLI. NO.	REMARK
				330HT	360HT		
1	A1970368	SPONGE, COVER		1	1		
2	A0640015	CLAMP, RING		2	2		
3	S365103213	WASHER, PLN. L-RD	<1>10.5X<4>32x3.ct	4	4		
4	S159082533	BOLT, HEX	M8x1 .25x25L	2	2		
5	A1870422	COVER, CENTER	GREEN	1	1		
6	A1840074	RUBBER, CUSHION		8	8		
7	A1870263	COVER, REAR		1	1		
8	A1870233	SPONGE		1	1		
9	A1870420	COVER	GREEN	1	1		
10	A1870234	SPONGE		4	4		
11	A1870418	FENDER. LH	GREEN	1	1		
12	A1870419	FENDER. RH	GREEN	1	1		
13	A1870211	EXTENTION, FENDER(L)		1	1		
14	A1870212	EXTENTION, FENDER(R)		1	1		
15	A1870213	EXTENTION, REAR(LH)		1	1		
16	A1870214	EXTENTION, REAR(RH)		1	1		
17	3A1870006	RAIL, HAND		2	2		
18	A1870264	BRACKET, LIGHT		1	1		
19	S159082033	BOLT, HEXW/WASHER	M8X1.25	39	39		
20	S345080013	NUT, FLANGE B-TY	M8X1.25	6	6		
21	S365082613	WASHER, PLN. L-RD	φ>8.4X<4>26x2. St	4	4		

ROPS(880)

FIG. 9-5B



ROPS(880)

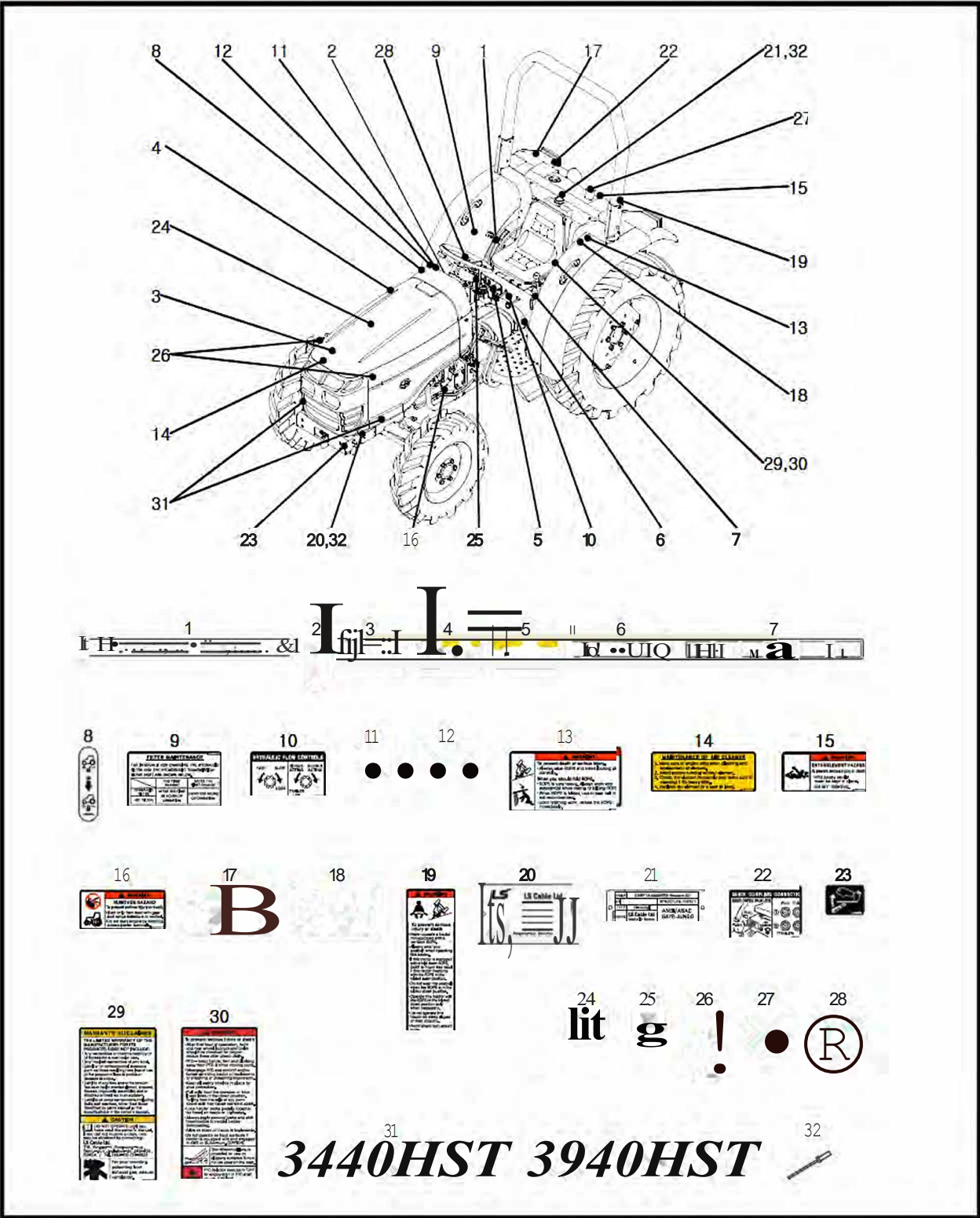
FIG. 9-5B

AG, VA

KEY NO.	PART NO.	PART NAME & DESCRIPTION	MODEL & QTY		APPLI. NO.	REMARK
			330HT	360HT		
1-17	A1880097	REAR ROPS ASSY	1	1		
1	A1880098	PILLAR LOWER,REAR ROPS LH	1	1		
2	A1880099	PILLAR LOWER,REAR ROPS RH	1	1		
3	A1880100	PILLAR MID,REAR ROPS	2	2		
4	A1880101	BEAM UPPER,REAR ROPS	1	1		
5	A1880102	PLATE,CONNECTOR	1	1		
6	A1880103	COVER,RUBBER	2	2		
7	S101149043	BOLT, HEX	M14x2.0x90L	2	2	
8	S105124553	BOLT, HEX	M12x1.25x45L	8	8	
9	S159082533	BOLT, HEX. W/WASHER	M8x1.25x25L	4	4	
10	S163062043	SOLT, HEX. F-THRD.	M6x1.0x20	2	2	
11	S301060043	NUT, HEX. 1-TY.	M6x1.0	2	2	
12	S301140043	NUT, HEX. 1-TY.	M14x2.0	2	2	
13	S361120013	WASHER, SPR. 1-TY.		8	8	
14	S361140013	WASHER, SPR. 1-TY.		2	2	
15	S363140013	WASHER, PLN. S-RD.		2	2	
16	S427148023	PIN HEAD B-TY		2	2	
17	S443140013	PIN, SNAP A-TY.		2	2	
18	S101145053	BOLT.HEX	M14x2.0x50L	8	8	
19	S361140013	WASHER, SPR. 1-TY.		8	8	

DECAL(980)

FIG. 10-1



DECAL(980)

FIG. 10-1

AG

KEY NO.	PART NO.	PART NAME & DESCRIPTION	MODEL & QTY		APPLI. NO.	REMARK
			330HT	360HT		
1	A1980720	DECAL, HYD. LEVER	1	1		
2	A1980722	DECAL, ACC. LEVER	1	1		
3	A1980734	DECAL, WARNING	1	1		
4	A1980736	DECAL, CAUTION	1	1		
5	A1980748	DECAL, CAUTION	1	1		
6	A1980751	DECAL, 4WD	1	1		
7	A1980752	DECAL, SUB CHANGE	1	1		
8	A1980753	DECAL, CRUISE CONRTOL	1	1		
9	A1980777	DECAL, FILTER MAINTENANCE	1	1		
10	A1980785	DECAL, FLOW CONTROL	1	1		
11	A1980829	DECAL, PTO SELECTOR	1	1		
12	A1980832	DECAL, KEY SWITCH	1	1		
13	A1980891	DECAL, ROPS WARNING	1	1		
14	A1980932	DECAL, AIR CLEANER	1	1		
15	A1980935	DECAL, PTO WARNING	1	1		
16	A1980936	DECAL, START WARNING	1	1		
17	A1980937	DECAL, HYD. OIL WARNING	1	1		
18	A1980940	DECAL, FRAME SEATBELT WARNING	1	1		
19	A1980941	DECAL, ROPS WARNING	1	1		
20	A1980943	NAME PLATE (ENG)	1	1		
21	A1980955	NAME PLATE, ROPS ASAE	1	1		
22	A1980963	DECAL, AUX. CONTROL	1	1		
23	A1980985	DECAL, HOOD OPEN	1	1		
24	A1980986	DECAL, HOOK ROD	1	1		
25	A1980987	DECAL, DIFF LOCK	1	1		
26	A1980999	DECAL, FANBELT WARNING	2	2		
27	A1981000	DECAL, FUEL	1	1		
28	A1981038	DECAL, MONTANA EMBLEM (HANDLE)	1	1		
29	A1981075	DECAL, WARRANTY	1	1		
30	A1981076	DECAL, DRIVER CAUTION (E)	1	1		
31	A1981164	DECAL, MODEL NAME (3440Hsn)	2	*		
	A1981165	DECAL, MODEL NAME (3940HST)	*	2		
32	S466321010	RIVET, BLIND	4	4		